



US00D544595S

(12) **United States Design Patent**
Kung

(10) **Patent No.:** **US D544,595 S**

(45) **Date of Patent:** **** Jun. 12, 2007**

(54) **COMBINED FAN AND LIGHT**

(75) Inventor: **Kenneth Kung**, Hong Kong (CN)

(73) Assignee: **Tungfat Industries Ltd.**, Kowloon,
Hong Kong (CN)

(**) Term: **14 Years**

(21) Appl. No.: **29/209,497**

(22) Filed: **Jul. 16, 2004**

(51) **LOC (8) Cl.** **23-04**

(52) **U.S. Cl.** **D23/382; D23/328**

(58) **Field of Classification Search** D23/370,
D23/382, 328, 381, 332, 335; 416/247 R,
416/63

See application file for complete search history.

(56) **References Cited**

U.S. PATENT DOCUMENTS

D351,901 S * 10/1994 Boruch et al. D23/328
D460,542 S * 7/2002 Li D23/328

* cited by examiner

Primary Examiner—Lisa Lichtenstein

(74) *Attorney, Agent, or Firm*—Ladas & Parry LLP

(57) **CLAIM**

The ornamental design for a combined fan and light, as shown and described.

DESCRIPTION

FIG. 1 is a perspective view of my design for a combined fan and light;

FIG. 2 is a front view thereof;

FIG. 3 is a rear view thereof;

FIG. 4 is a right side view thereof;

FIG. 5 is a left side view thereof;

FIG. 6 is a top view thereof

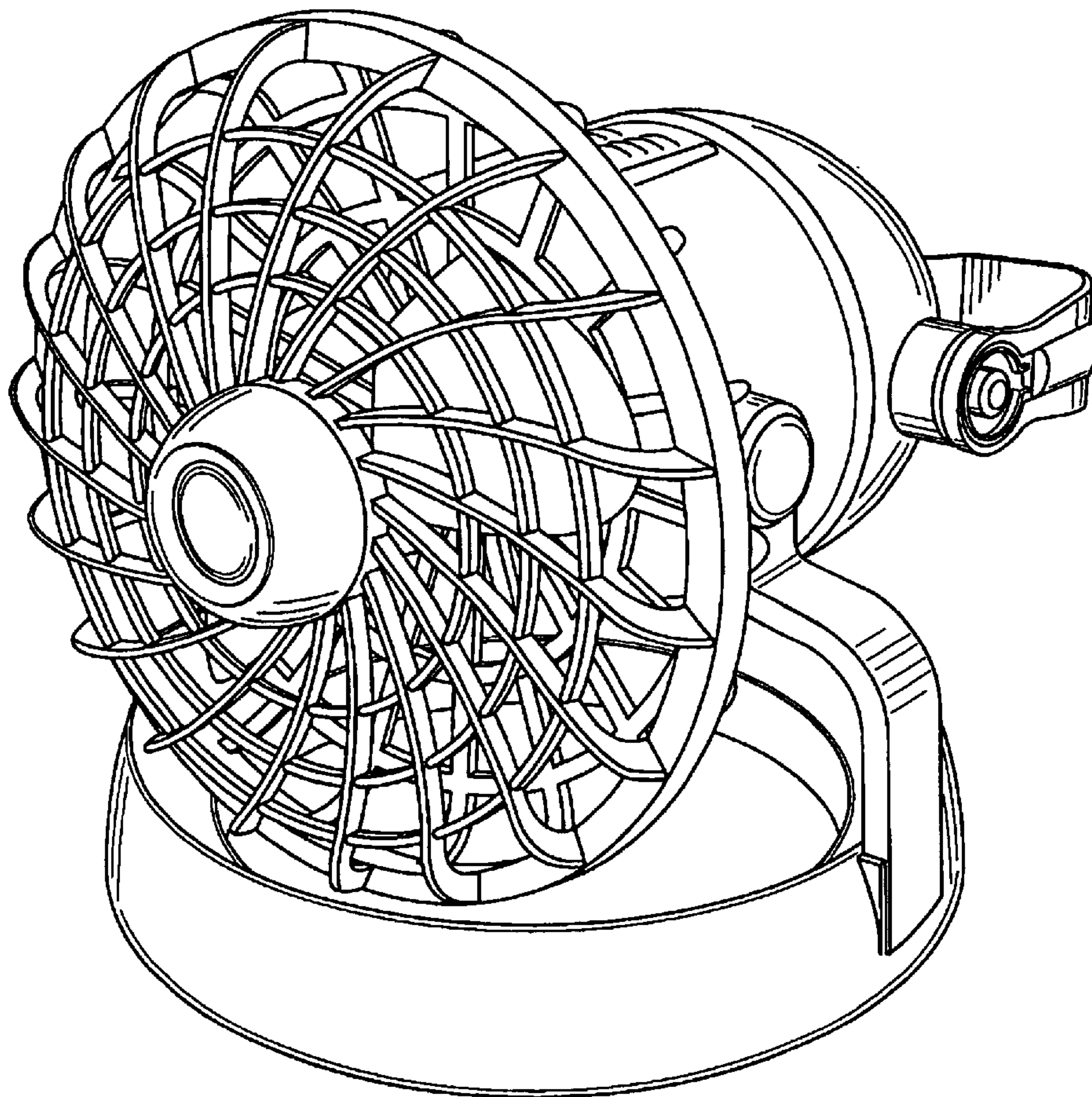
FIG. 7 is a bottom view thereof;

FIG. 8 is a left side thereof in an upward tilted position;

FIG. 9 is a view of my design in which the fan light is arranged in a position for suspension from an overhead position; and,

FIG. 10 is a view of FIG. 9 of my design in a suspended position in which an alternative position of a hook associated with the handle is depicted.

1 Claim, 10 Drawing Sheets



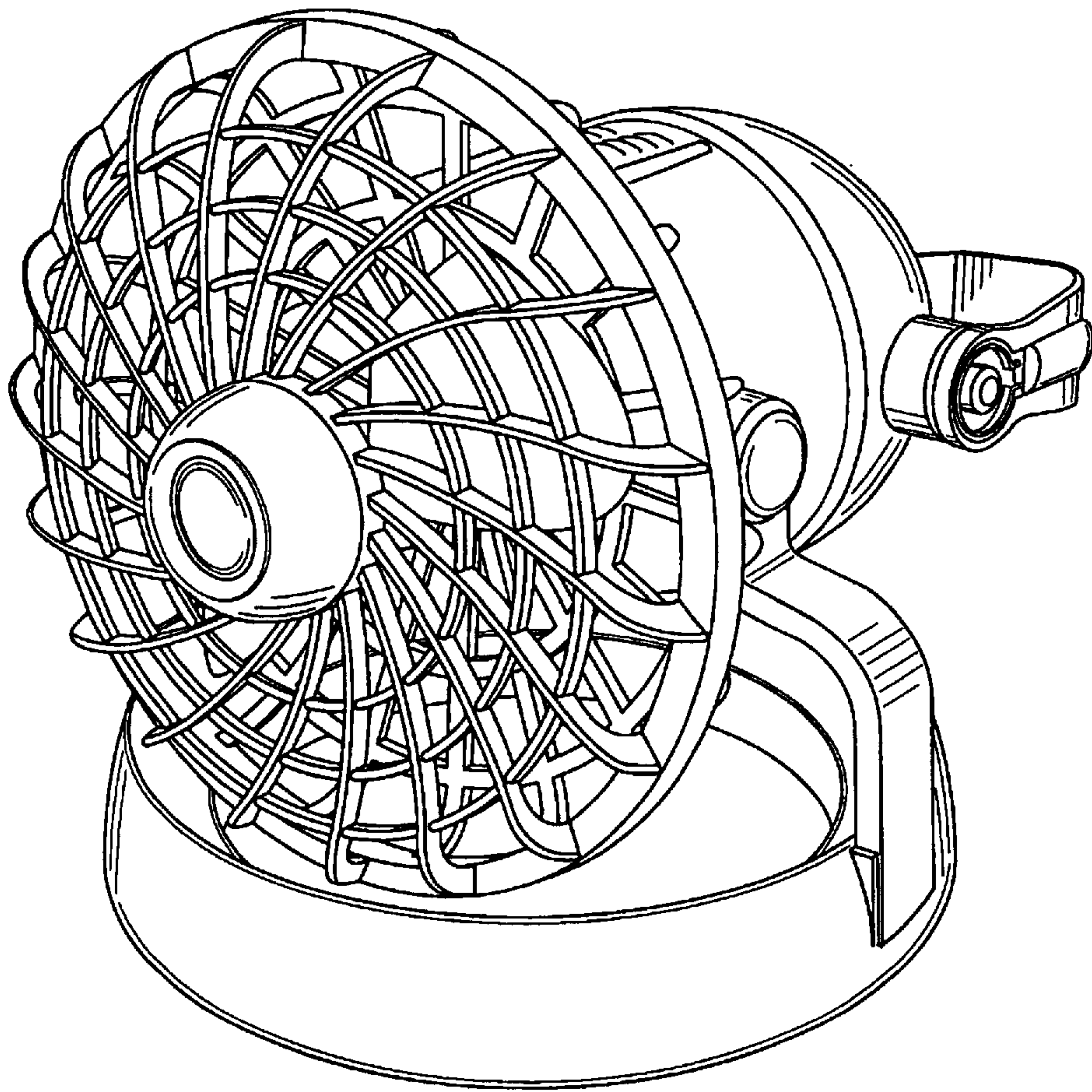


FIG. 1

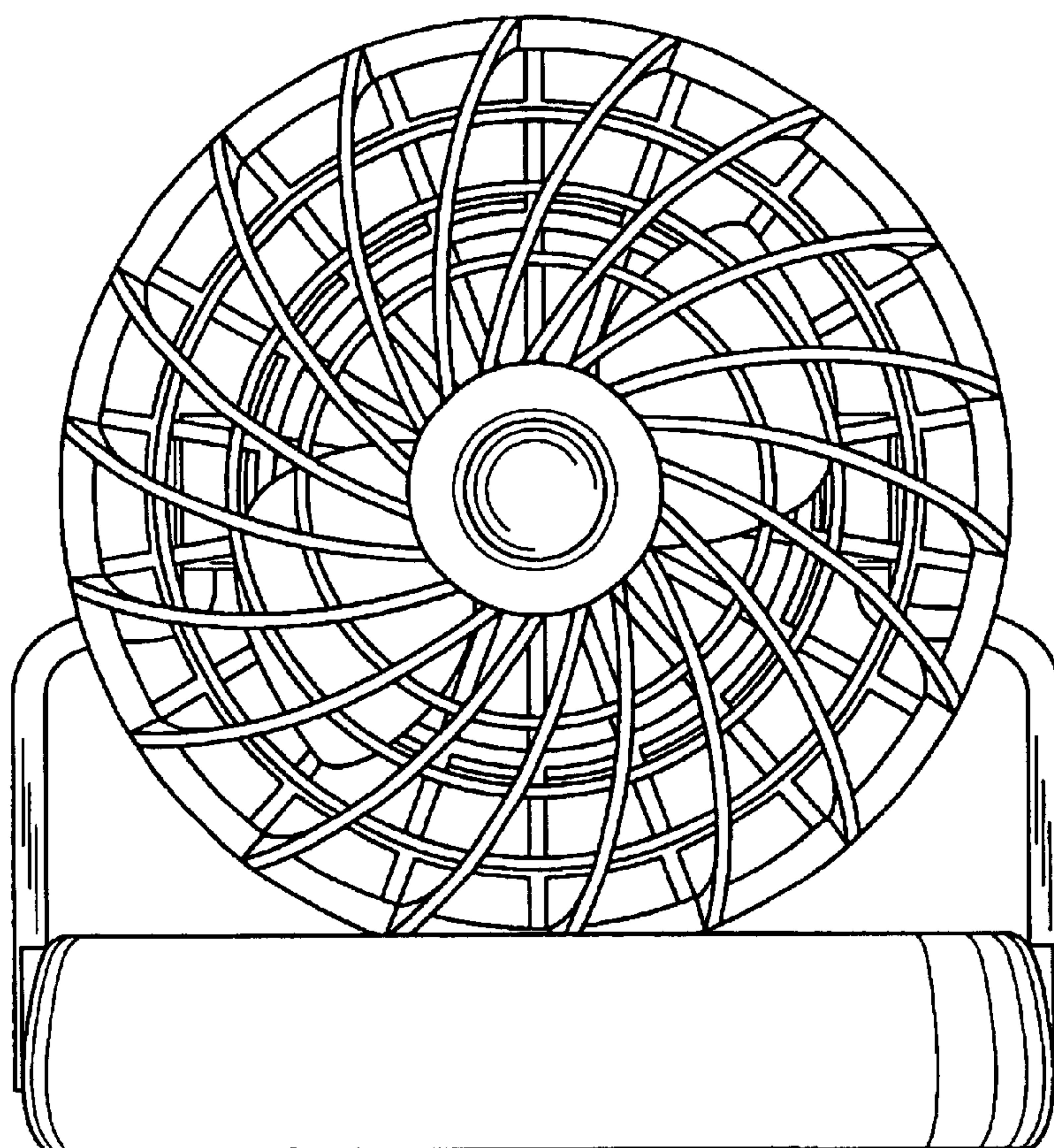


FIG. 2

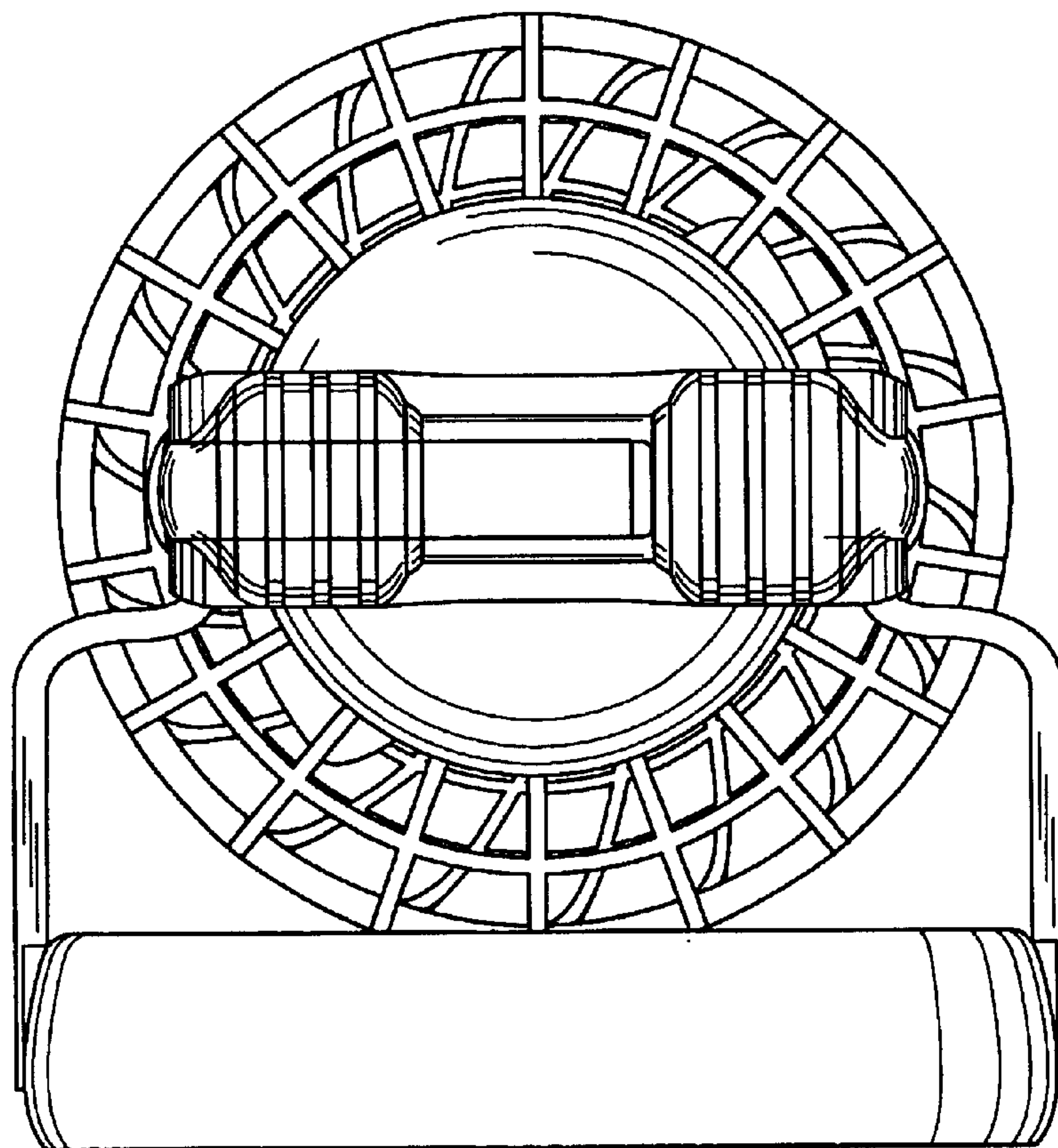


FIG. 3

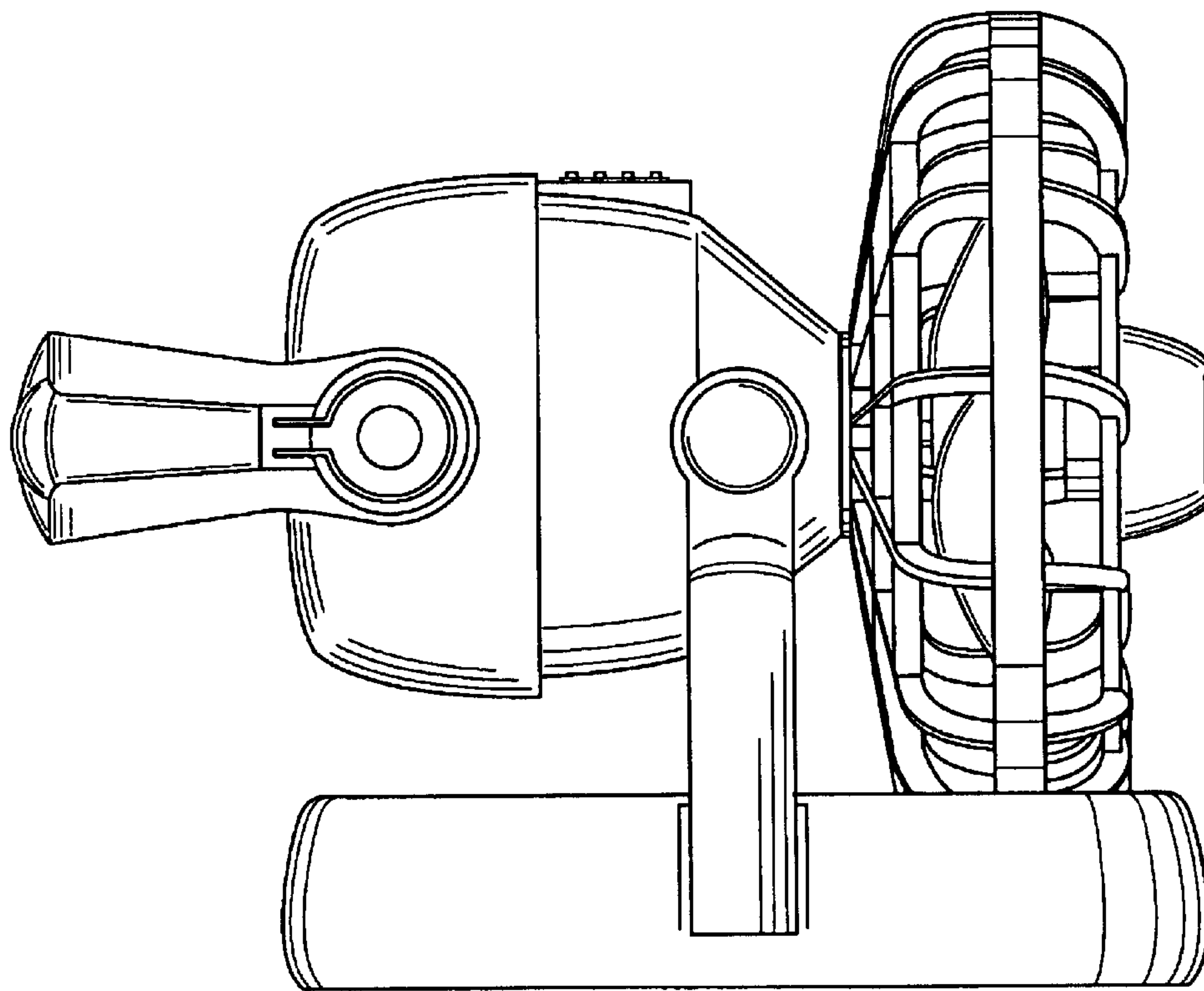


FIG. 4

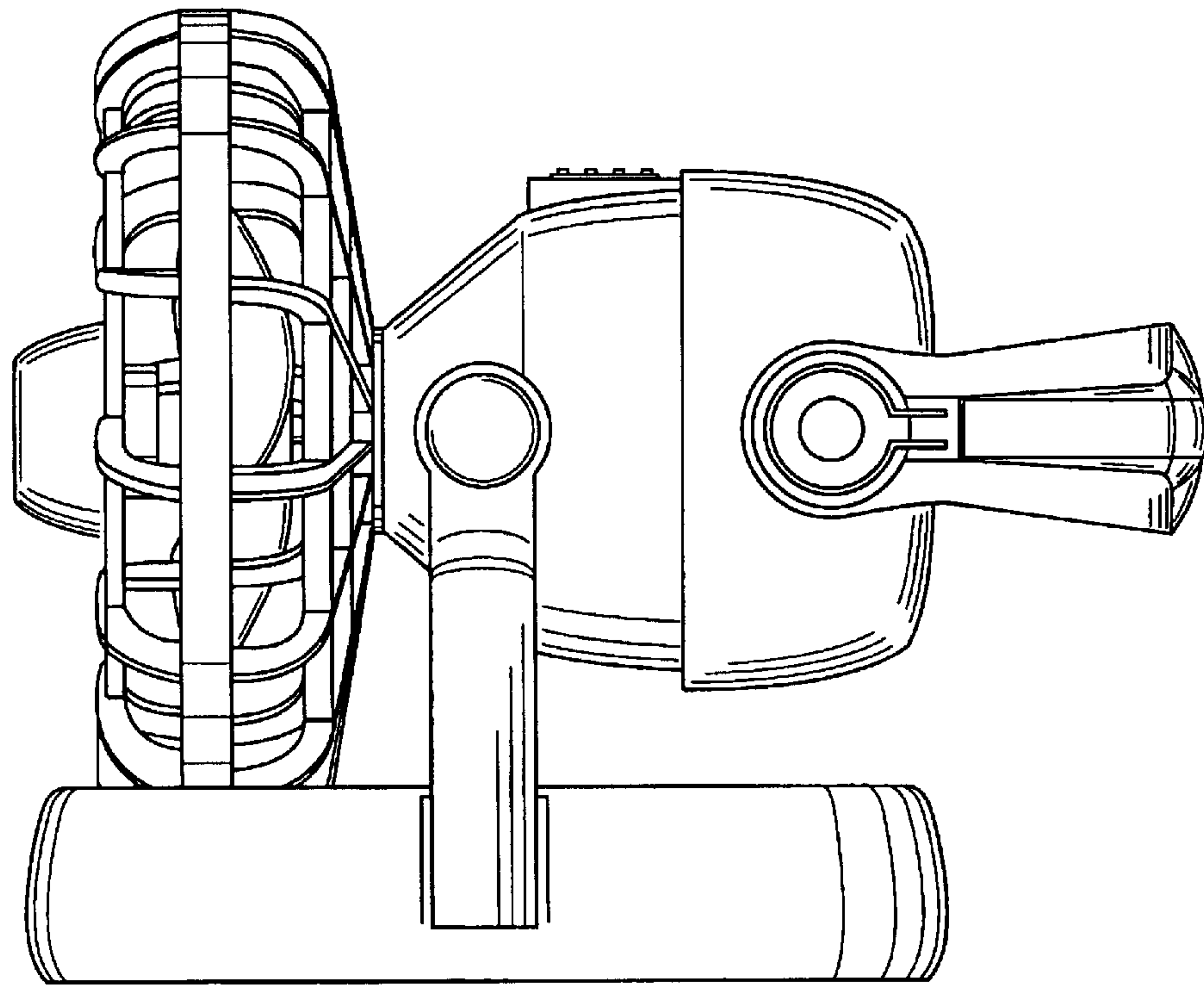


FIG. 5

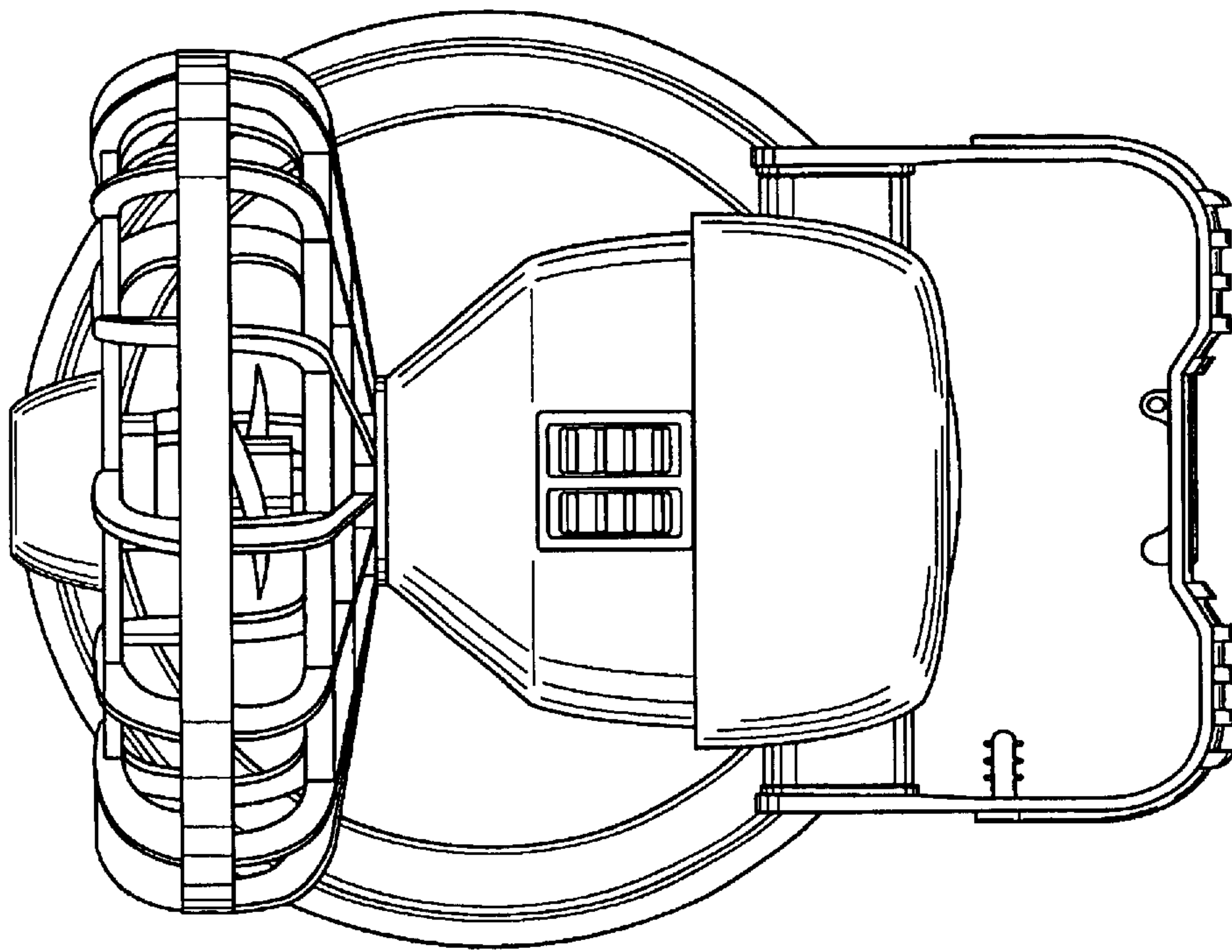


FIG. 6

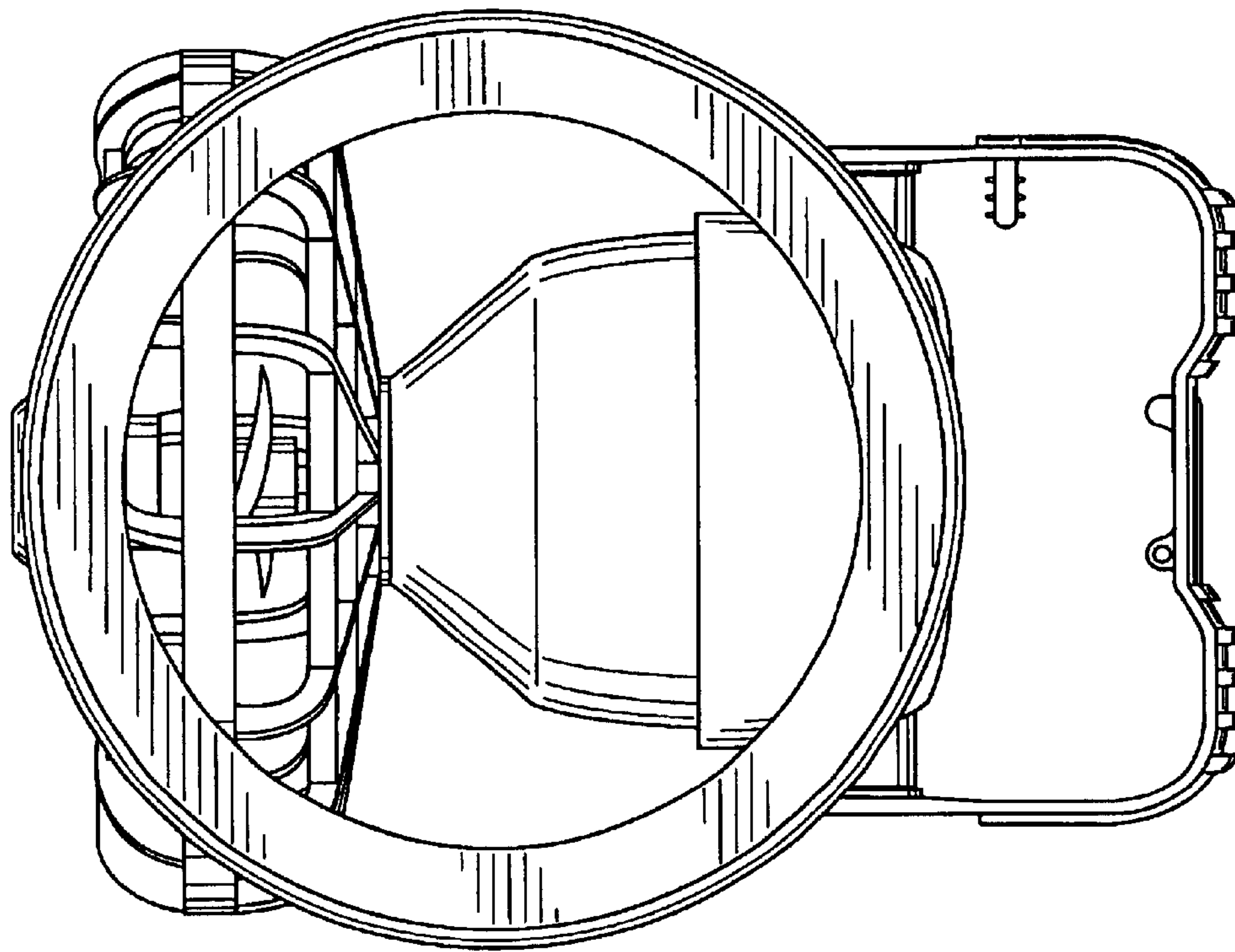


FIG. 7

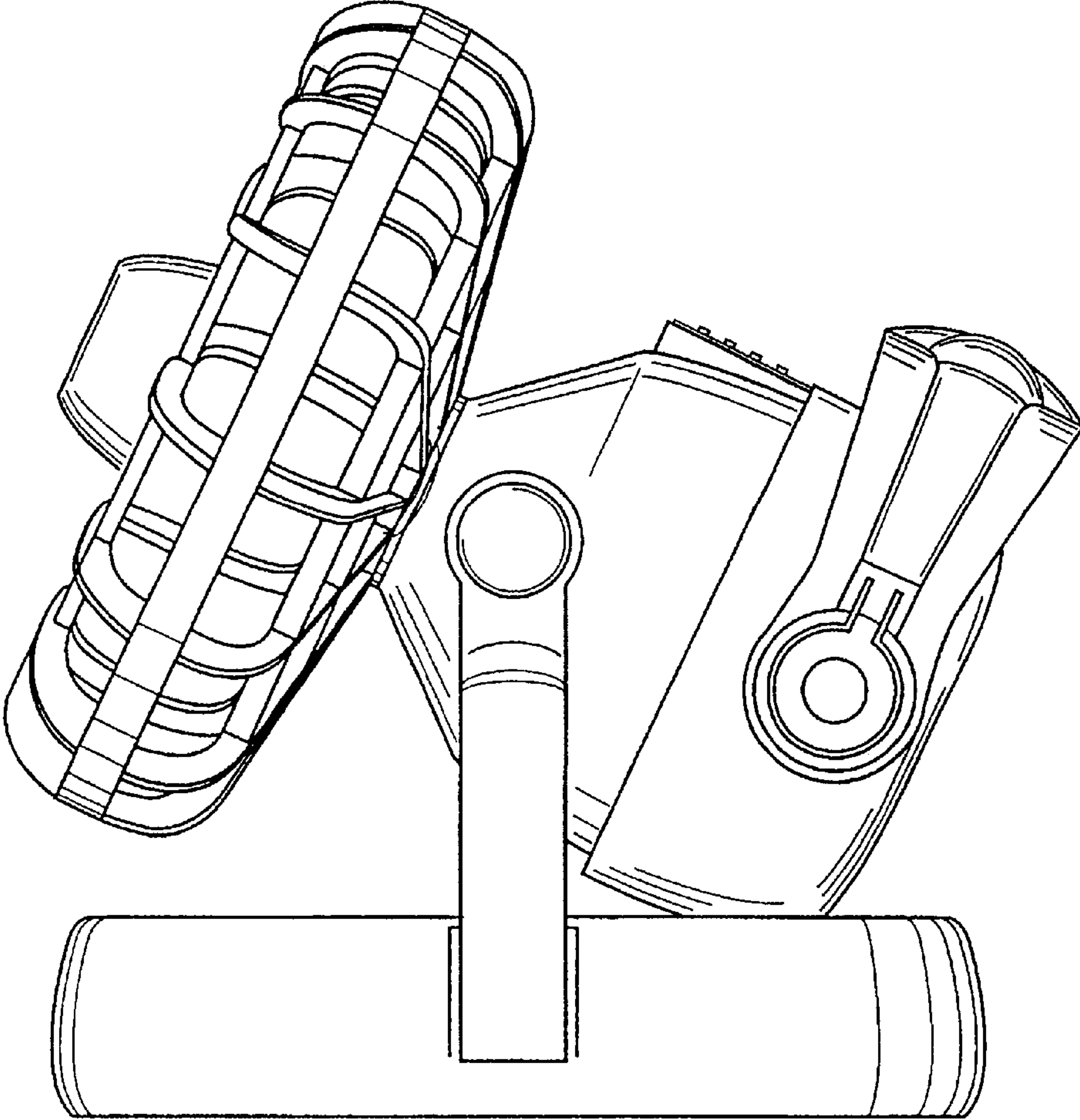


FIG. 8

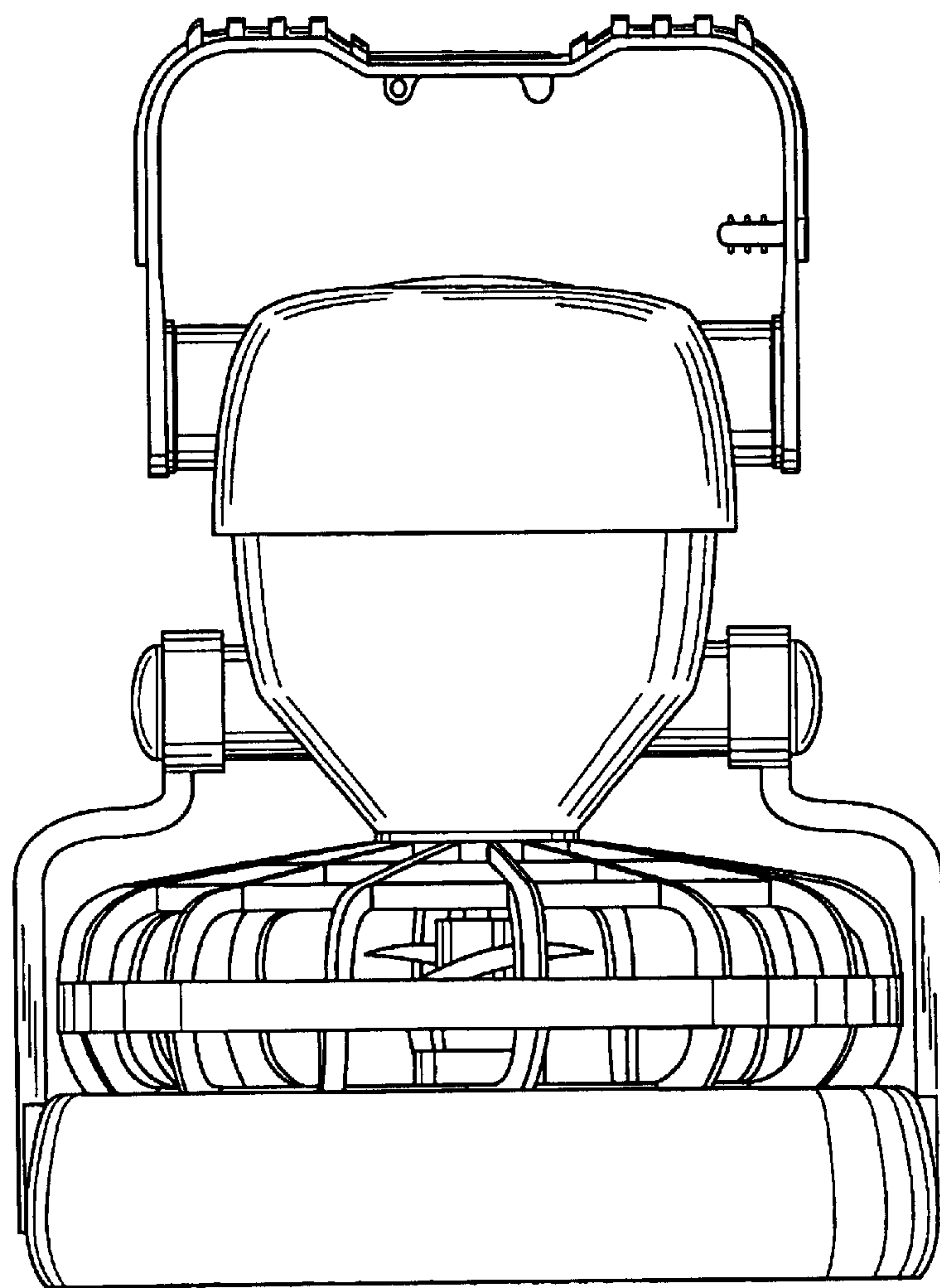


FIG. 9

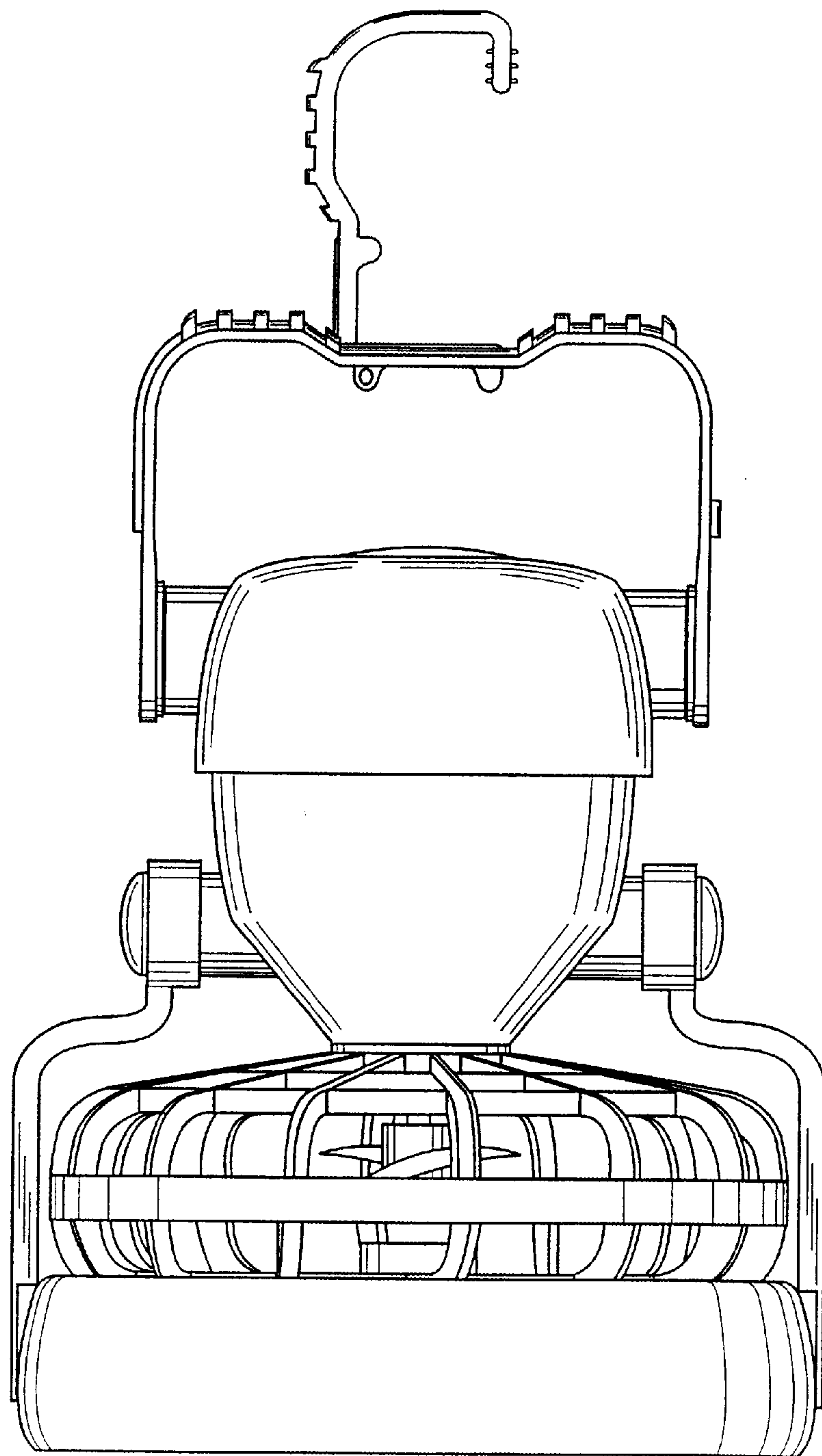


FIG. 10