



US00D544592S

(12) **United States Design Patent**
Caserta et al.

(10) **Patent No.:** **US D544,592 S**

(45) **Date of Patent:** **** Jun. 12, 2007**

(54) **DIFFUSING EVAPORATOR FOR ACTIVE SUBSTANCES**

D461,885 S * 8/2002 Jordi D23/366
6,850,697 B2 * 2/2005 Basaganas Millan 392/390
D507,636 S * 7/2005 Baraky et al. D23/366

(75) Inventors: **Andrea Caserta**, Parc Tecnologic del Valles (AR); **Ruben Garcia Fabrega**, Parc Tecnologic del Valles (AR); **Ricard Tomas Vilarasa**, Parc Tecnologic del Valles (AR)

* cited by examiner

Primary Examiner—Sandra Snapp
(74) *Attorney, Agent, or Firm*—Knobbe Martens Olson & Bear LLP

(73) Assignee: **Zobebe Espana S.A.**, Barcelona (ES)

(57) **CLAIM**

(**) Term: **14 Years**

The ornamental design for a diffusing evaporator for active substances, as shown and described.

(21) Appl. No.: **29/244,451**

(22) Filed: **Dec. 9, 2005**

DESCRIPTION

(51) **LOC (8) Cl.** **23-99**

FIG. 1 is a front perspective view taken from a right side of a diffusing evaporator for active substances showing the new design;

(52) **U.S. Cl.** **D23/366**

FIG. 2 is a back perspective view taken from a left side thereof;

(58) **Field of Classification Search** 392/341, 392/342, 386, 390, 392-394, 401-406; D28/5, D28/6; 239/34-35, 53-60, 135-136, 326-327, 239/338; D23/355-369; 261/DIG. 17, DIG. 42, 261/DIG. 65, DIG. 88, DIG. 89
See application file for complete search history.

FIG. 3 is a left side view;

FIG. 4 is a top view thereof;

FIG. 5 is a front view thereof;

FIG. 6 is a right side view; and,

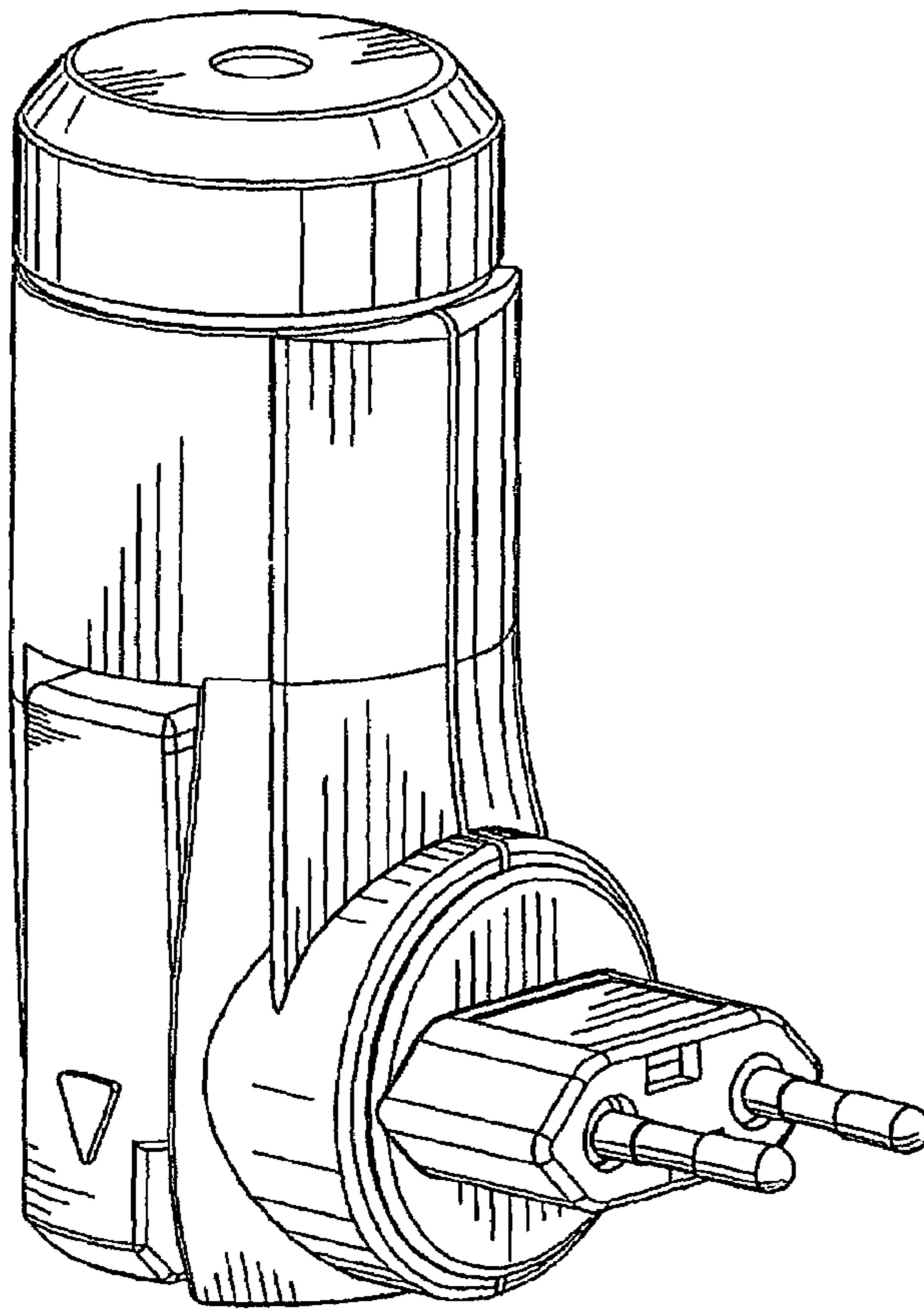
FIG. 7 is a rear view thereof.

(56) **References Cited**

U.S. PATENT DOCUMENTS

D437,636 S * 2/2001 Basaganas D23/366

1 Claim, 7 Drawing Sheets



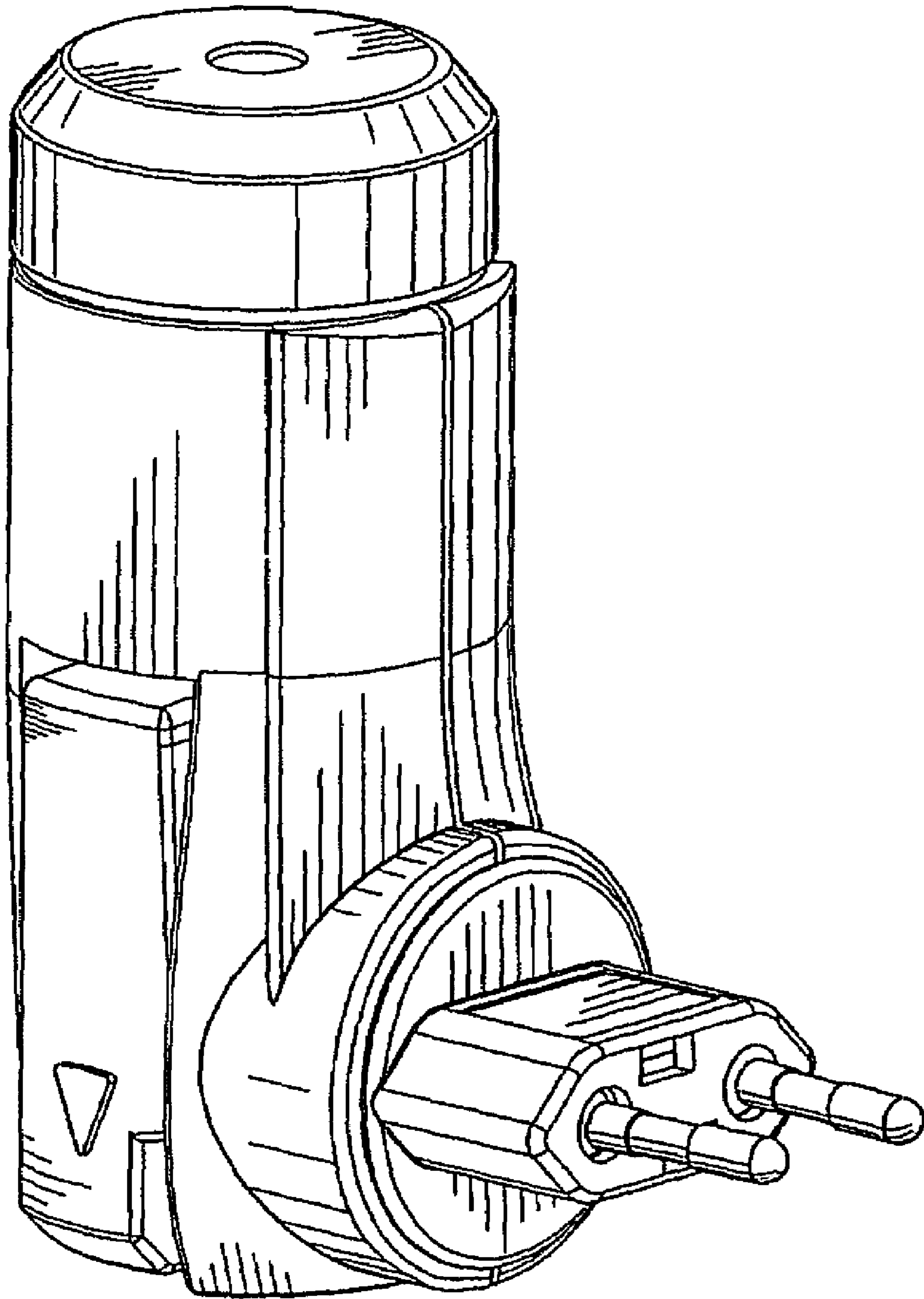


FIG. 1

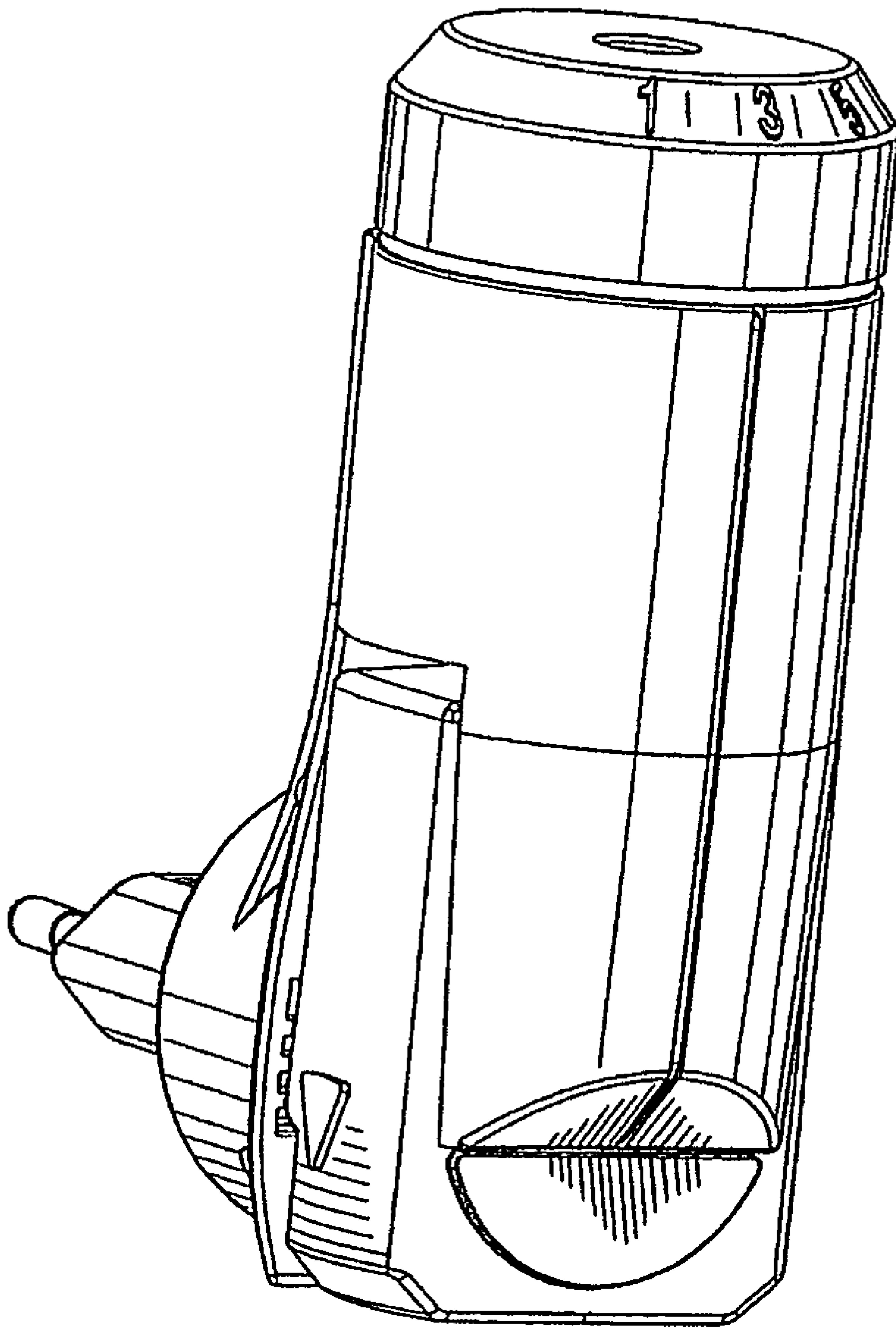


FIG. 2

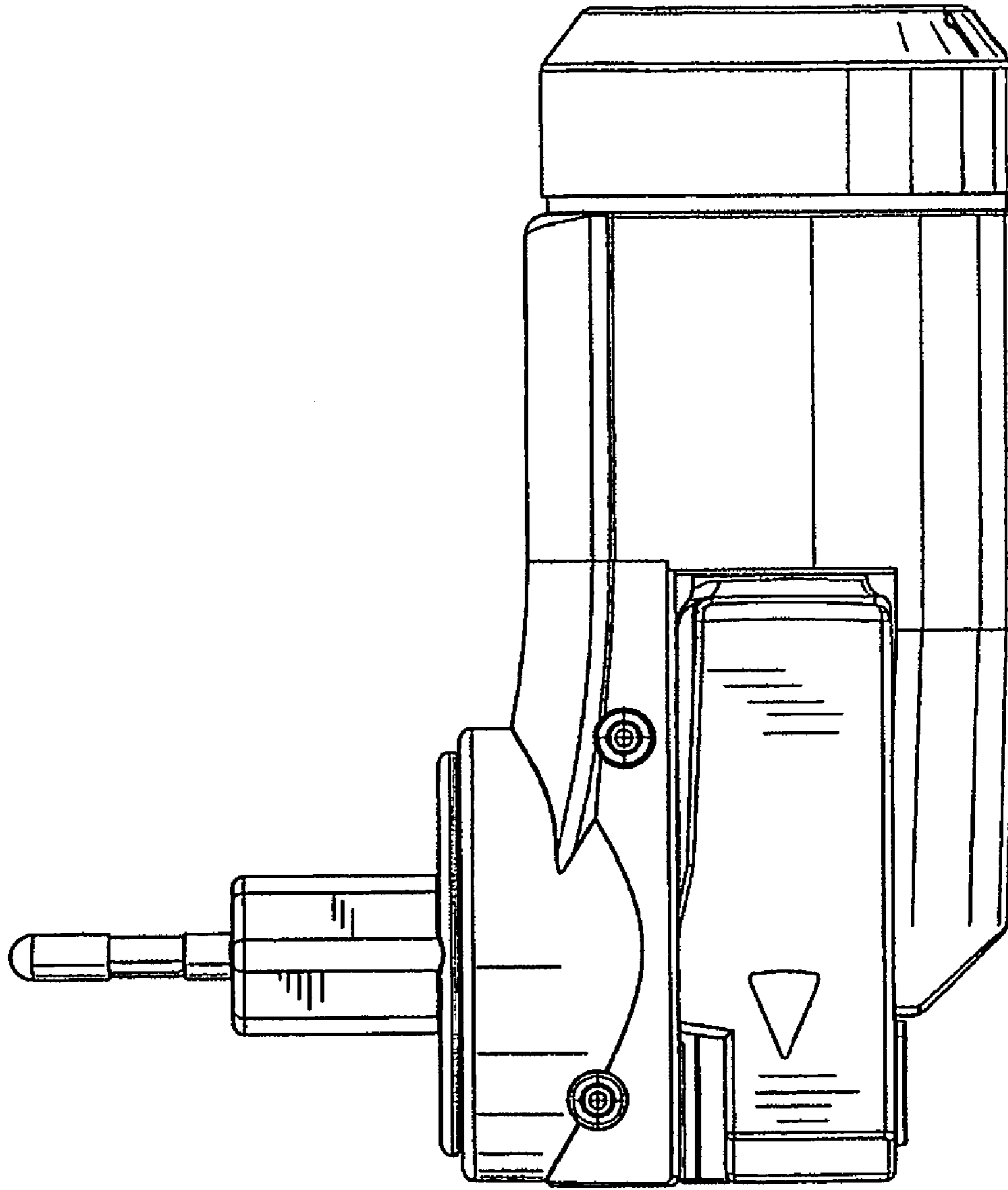


FIG. 3

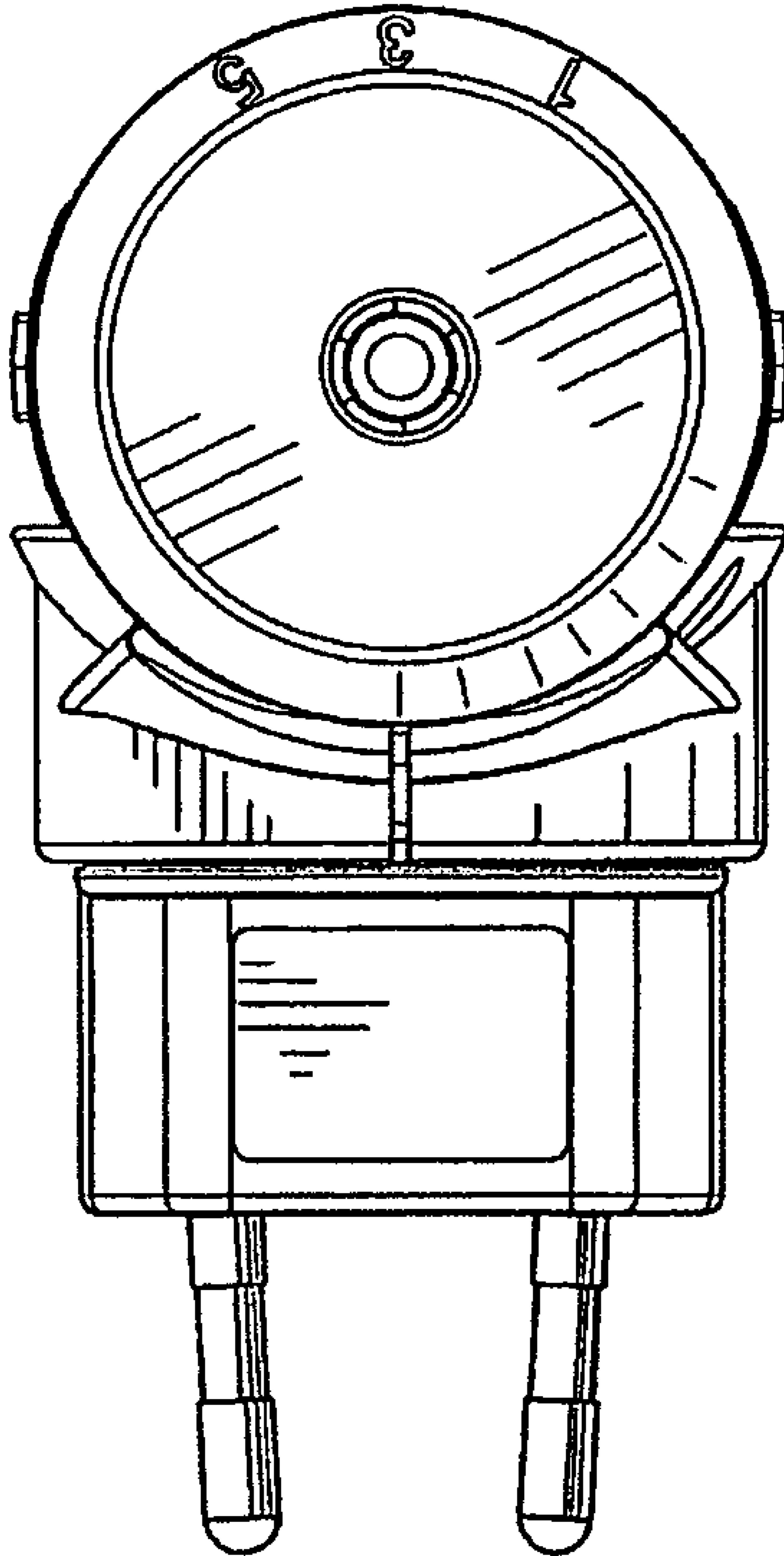


FIG. 4

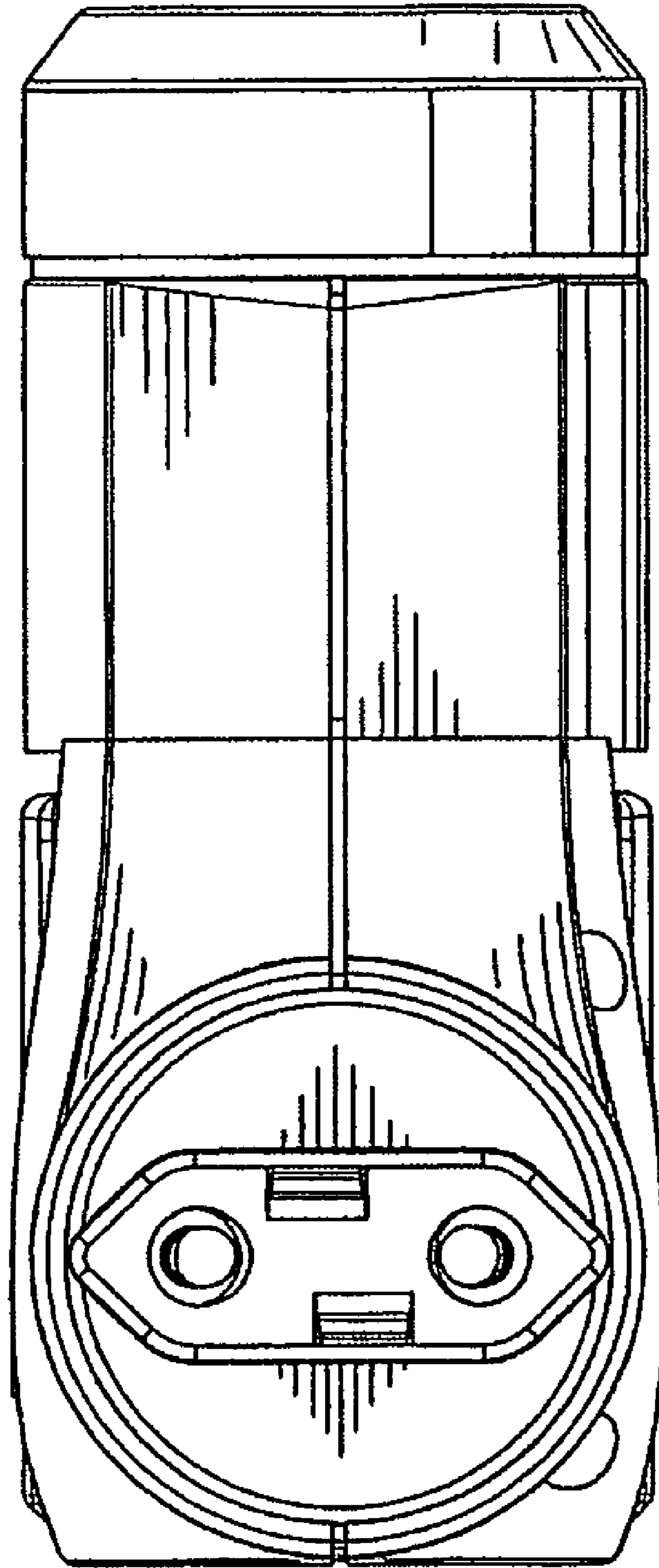


FIG. 5

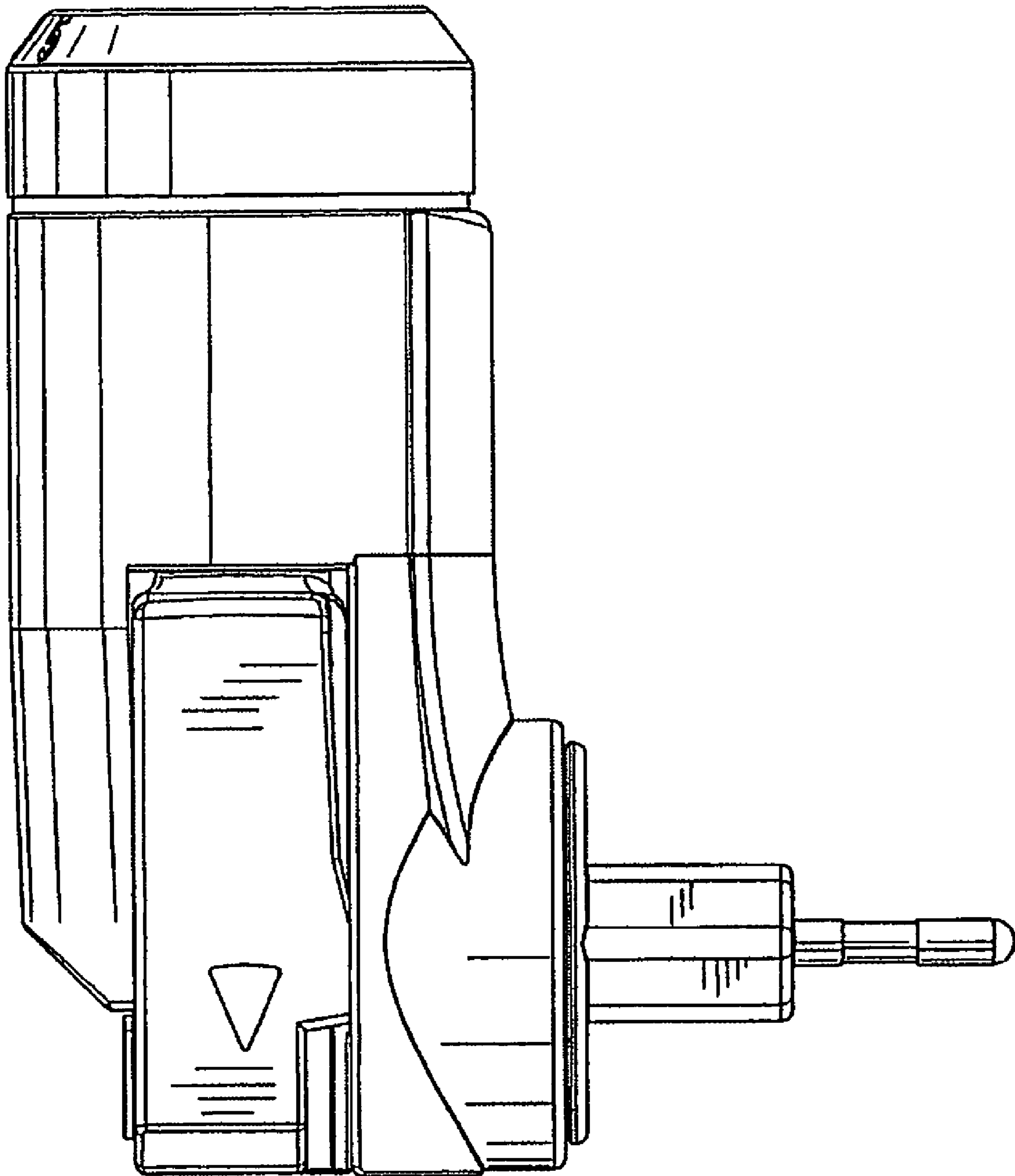


FIG. 6

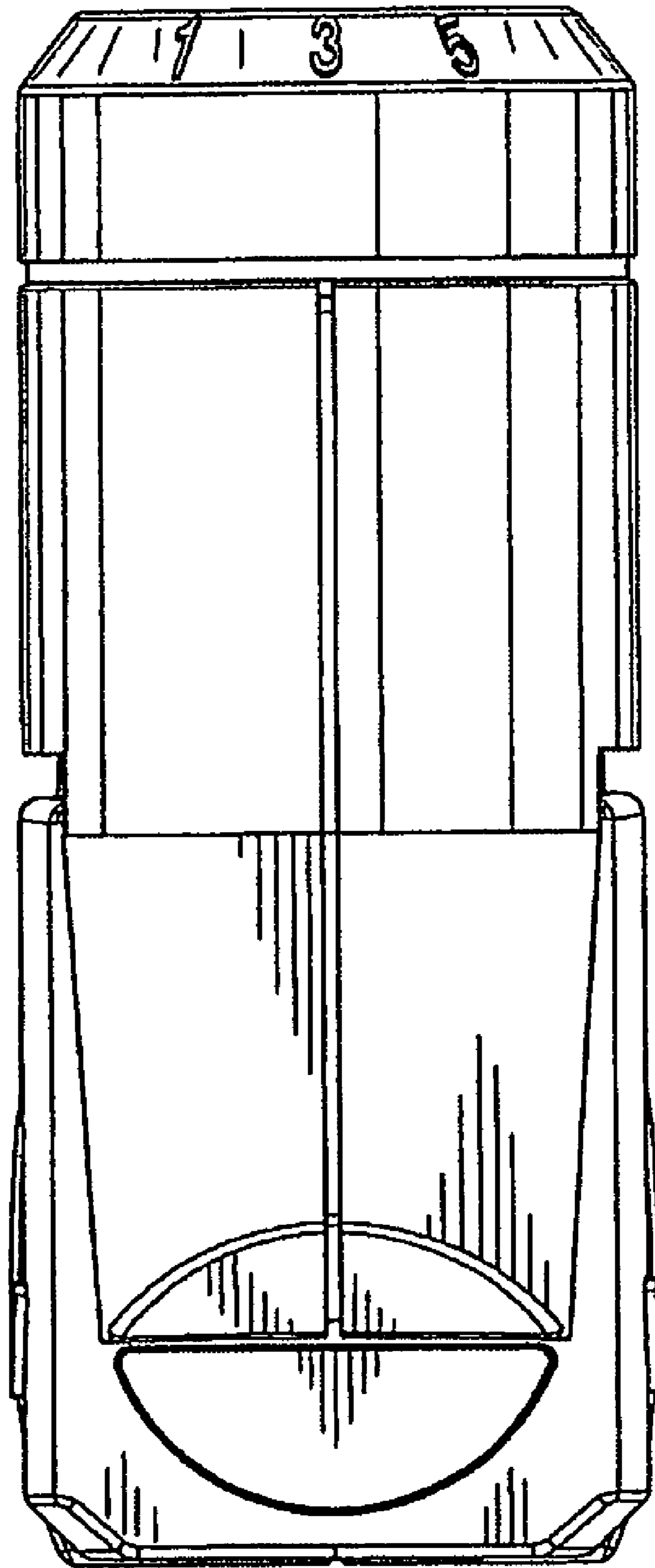


FIG. 7