

US00D544588S

(12) **United States Design Patent** (10) **Patent No.:** **US D544,588 S**
Kirar (45) **Date of Patent:** **** Jun. 12, 2007**

(54) **SUPPORT**

(75) Inventor: **Laura K. Kirar**, New York, NY (US)

(73) Assignee: **Kohler Co.**, Kohler, WI (US)

(**) Term: **14 Years**

(21) Appl. No.: **29/257,843**

(22) Filed: **Apr. 11, 2006**

(51) **LOC (8) Cl.** **23-02**

(52) **U.S. Cl.** **D23/308**

(58) **Field of Classification Search** D23/270-274,
D23/284, 286-287, 293.1, 303, 308; D24/217,
D24/232, 234; 4/619, 624, 630, 631, 637-638,
4/643, 656, 661; D6/441, 436, 432
See application file for complete search history.

(56) **References Cited**

U.S. PATENT DOCUMENTS

D52,778 S *	12/1918	Bosworth	D23/303
D83,025 S *	1/1931	Zwermann	D23/293.1
D85,060 S *	9/1931	Sakier	D23/308
D98,228 S *	1/1936	Callahan	D23/293.1
D115,810 S *	7/1939	Reinecke et al.	D23/308
D149,701 S *	5/1948	Smith	D23/293.1
2,836,831 A *	6/1958	Hurwitz	4/631
4,909,473 A *	3/1990	Korinek et al.	248/634
D367,107 S *	2/1996	Kohler et al.	D23/292

OTHER PUBLICATIONS

Kohler Co., "Jamestown Lavatory", Kohler Co. catalog.
Kallista, Inc. "Michael S. Smith Loft Pedestal Combination", Kallista, Inc. online catalog.

Duravit "Vero Washbasin with Tap Platform and Metal Console"
Model No.: D-175.
Kohler Co., "Kathryn 42"x22" Fireclay Tabletop". Model No.:
K-3029.

* cited by examiner

Primary Examiner—Robert A. Delehanty
(74) *Attorney, Agent, or Firm*—Quarles & Brady LLP

(57) **CLAIM**

The ornamental design for a support, as shown and described.

DESCRIPTION

In a preferred embodiment, the nature of this product is as a support for a plumbing fixture, such as a table base for a lavatory.

FIG. 1 is a right, top, front perspective view of a support embodying my new design;

FIG. 2 front elevational view thereof;

FIG. 3 is a right side elevational view thereof, the left side elevational view thereof being a mirror image of the right side shown;

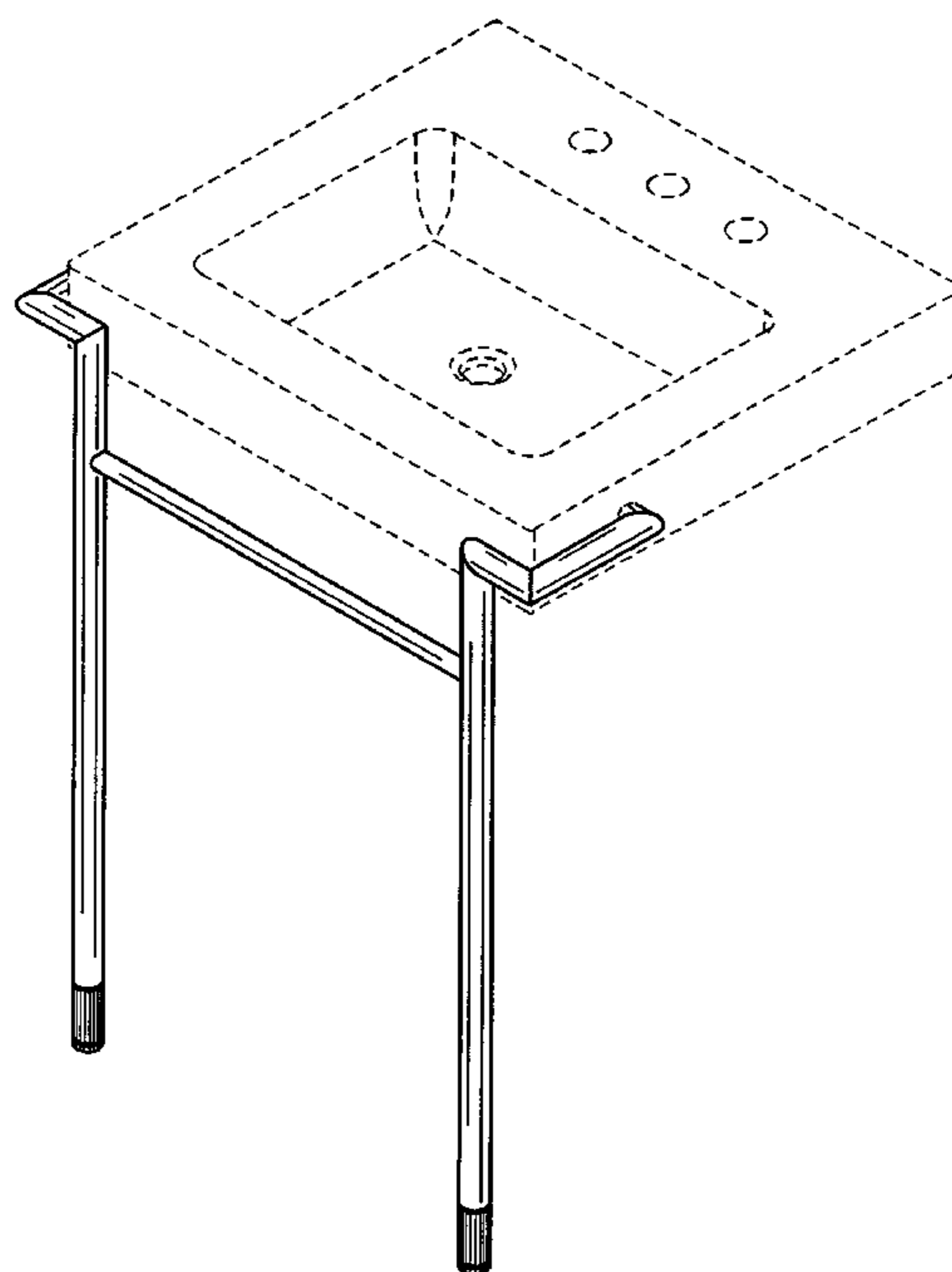
FIG. 4 is a top plan view thereof;

FIG. 5 is a bottom plan view thereof; and,

FIG. 6 is a rear elevational view thereof.

The broken line representations of lavatory environment in FIG. 1, feet structure in FIGS. 2, 3 and 6, and tab structure in FIGS. 3-6 are for the purpose of illustration only, and form no part of the claimed design.

1 Claim, 4 Drawing Sheets



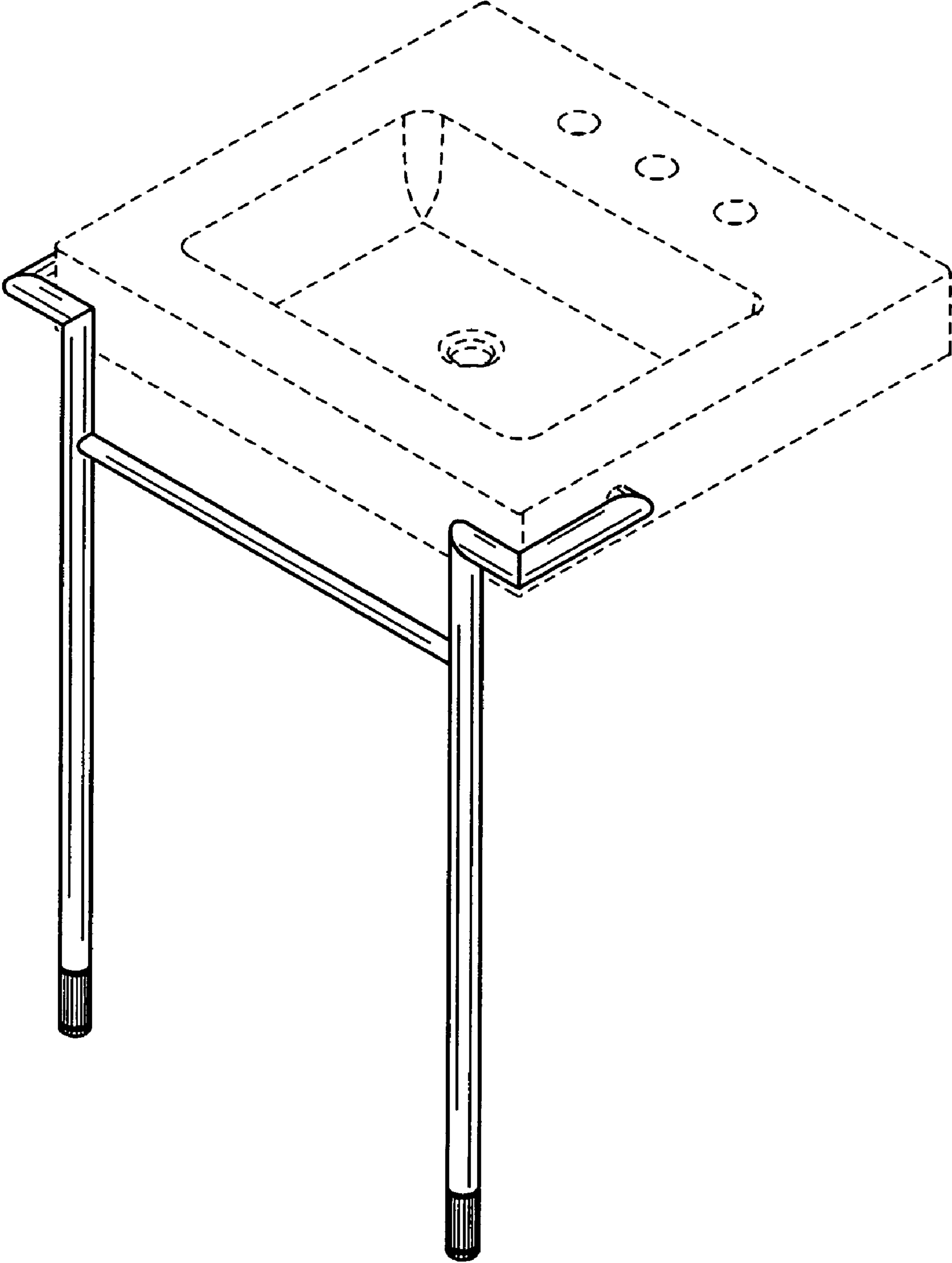


FIG. 1

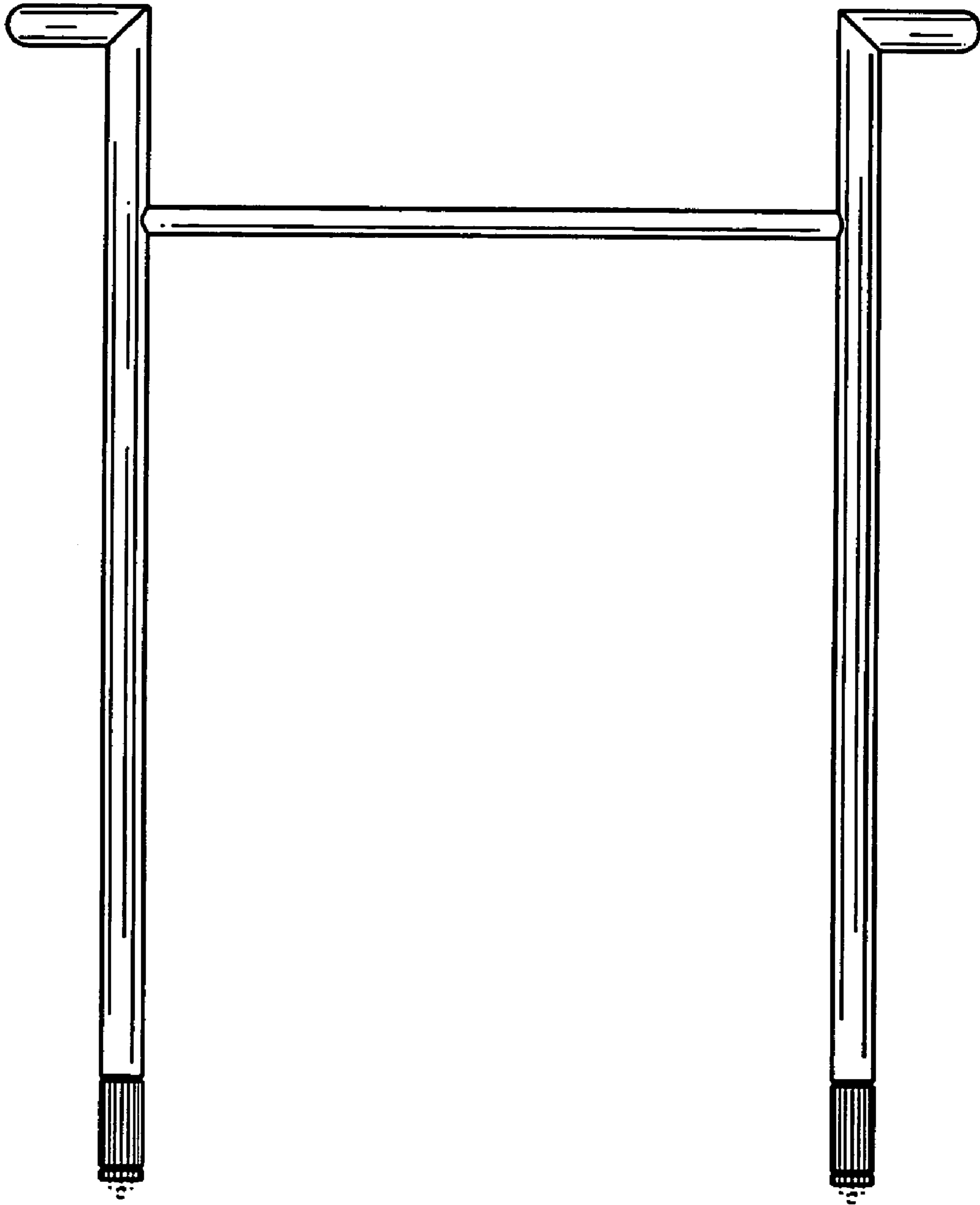


FIG. 2

FIG. 3

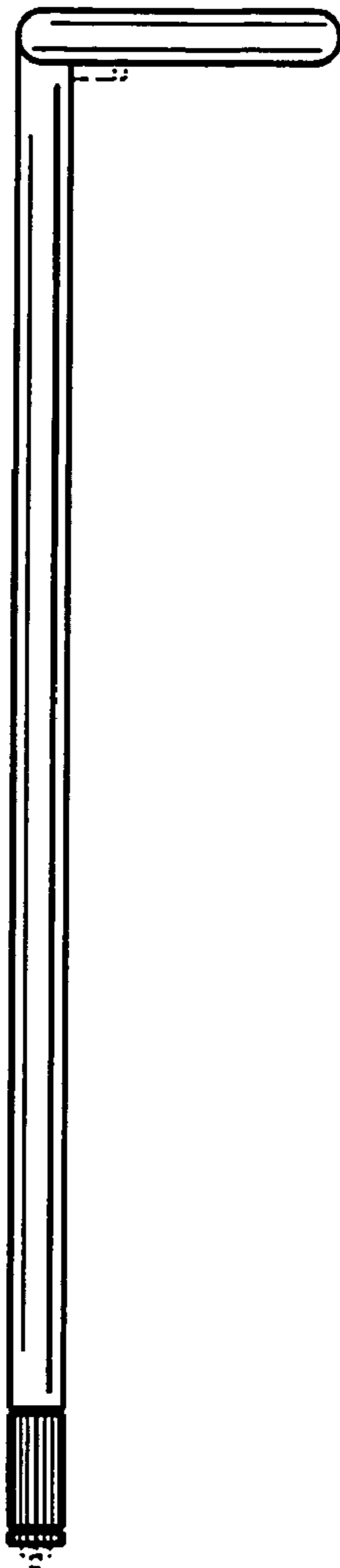
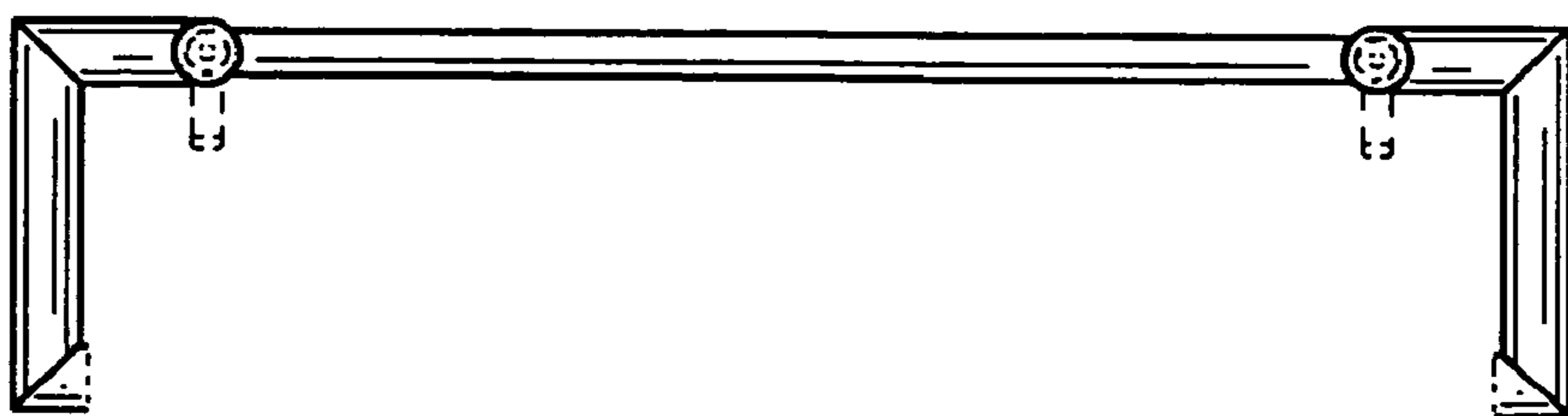


FIG. 4



FIG. 5



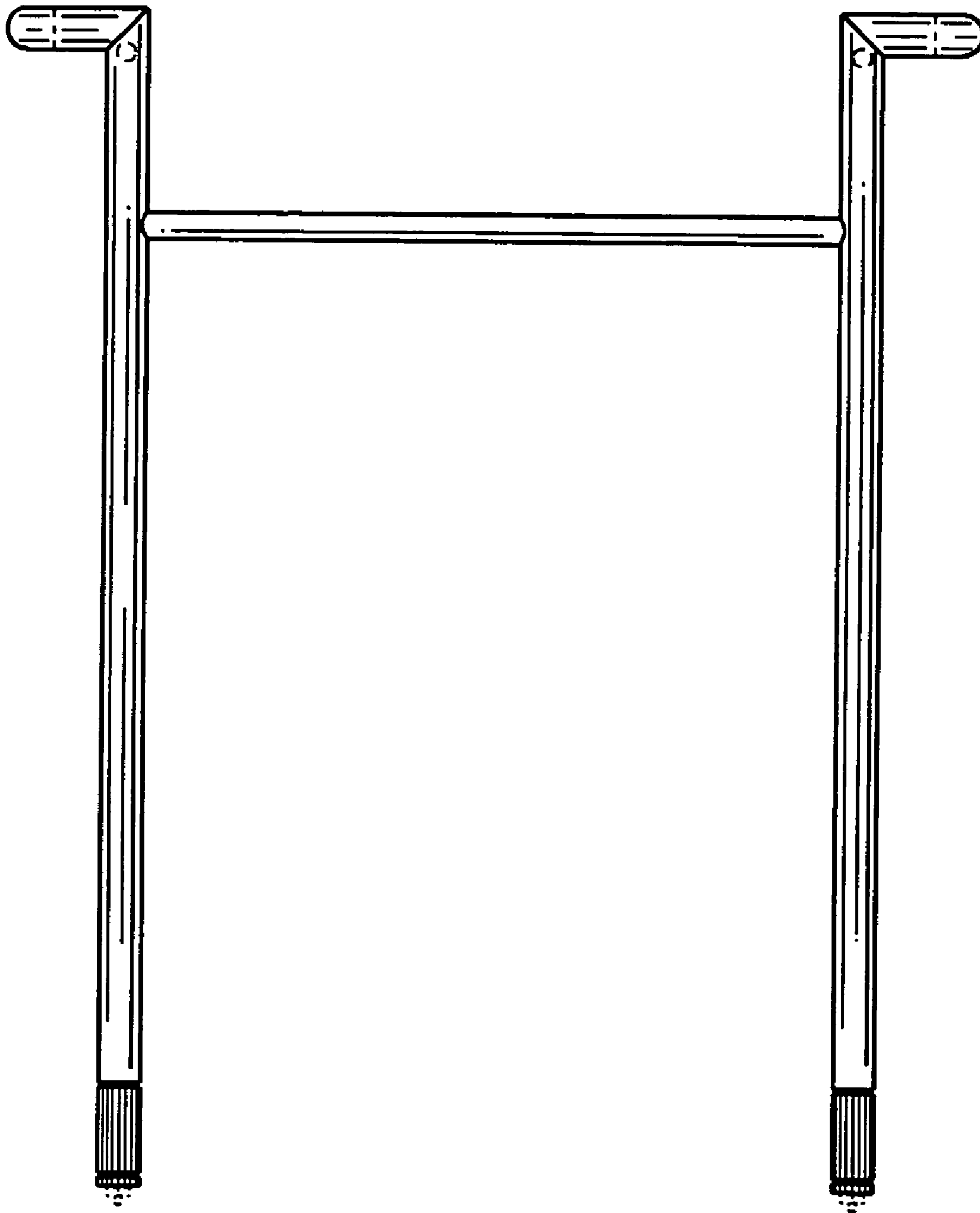


FIG. 6