



US00D544587S

(12) **United States Design Patent**
Bouhassira

(10) **Patent No.:** **US D544,587 S**

(45) **Date of Patent:** **** Jun. 12, 2007**

(54) **SINK DIVIDER TOP**

(76) Inventor: **Eva Klein Bouhassira**, 123 Farragut Ave., Hastings-on-Hudson, NY (US) 10706

(**) Term: **14 Years**

(21) Appl. No.: **29/235,476**

(22) Filed: **Aug. 1, 2005**

(51) **LOC (8) Cl.** **23-02**

(52) **U.S. Cl.** **D23/308**

(58) **Field of Classification Search** D23/270–273, D23/284–287, 289, 291–293.1, 303, 308; 4/619, 630–631, 637, 661; D21/524
See application file for complete search history.

(56) **References Cited**

U.S. PATENT DOCUMENTS

D218,237 S *	8/1970	Cline	D23/290
3,962,735 A *	6/1976	Davidson	4/505
5,915,851 A *	6/1999	Wattrick et al.	4/619
2006/0179562 A1 *	8/2006	Huber	4/628

* cited by examiner

Primary Examiner—Robert A. Delehanty

(74) *Attorney, Agent, or Firm*—Amster Rothstein & Ebenstein LLP; Philip H. Gottfried, Esq.

(57) **CLAIM**

The ornamental design for a sink divider top, substantially as shown and described.

DESCRIPTION

FIG. 1 is a right front perspective elevational view showing my new design with the dashed lines showing the environment for the sink divider top, forming no part of the design, shown partially broken away to illustrate that the height of the environment is immaterial to the subject invention;

FIG. 2 is a front elevational view thereof, the rear elevational view being the mirror image;

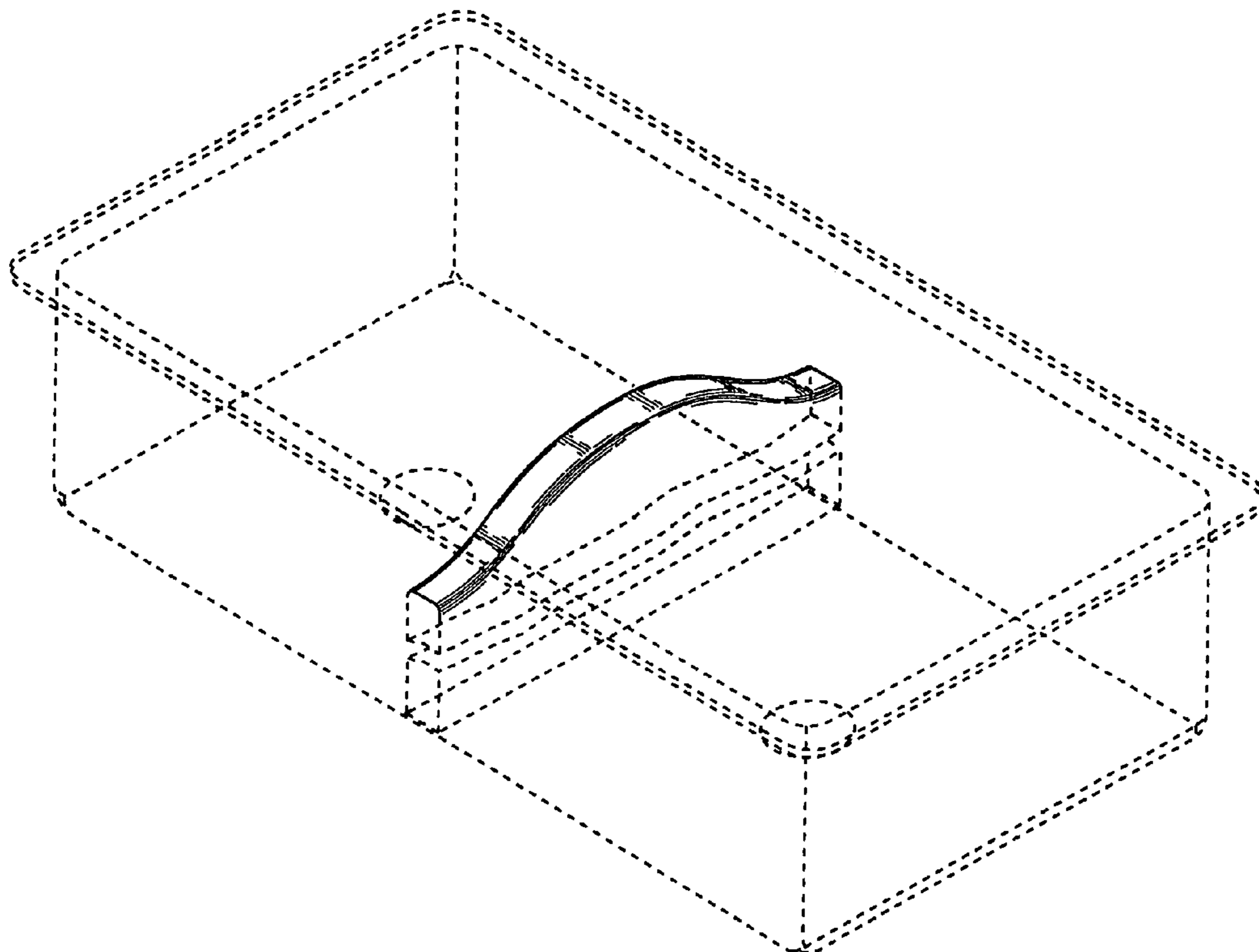
FIG. 3 is a right side elevational view thereof, the left side elevational view being the mirror image;

FIG. 4 is a top plan view thereof;

FIG. 5 is a right front elevational perspective view of FIG. 1 with the divider shown in a possible position within the environment of a sink, also shown in dashed lines; and,

FIG. 6 is similar to FIG. 5 showing the divider in an alternate environment.

1 Claim, 3 Drawing Sheets



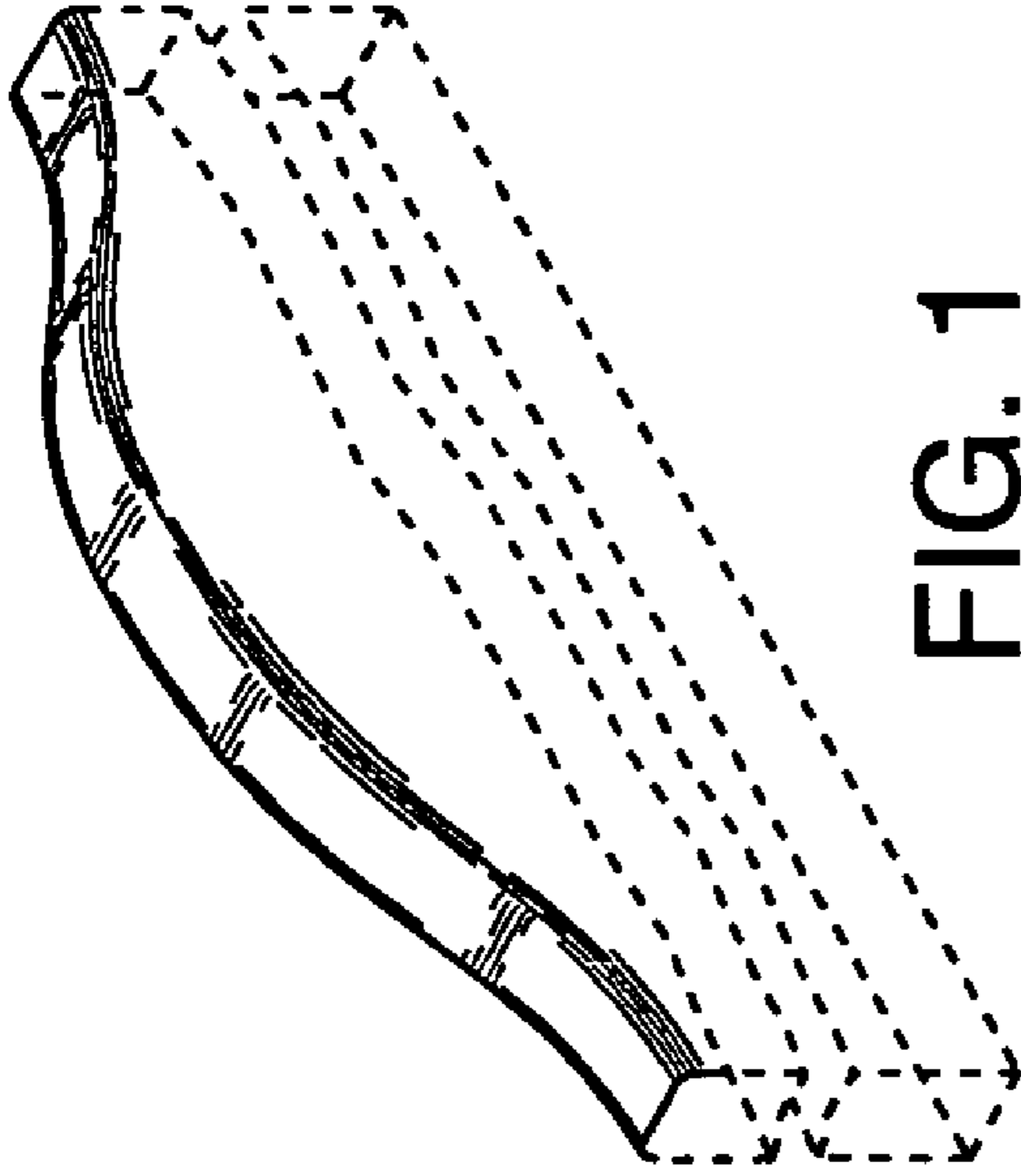


FIG. 1



FIG. 3

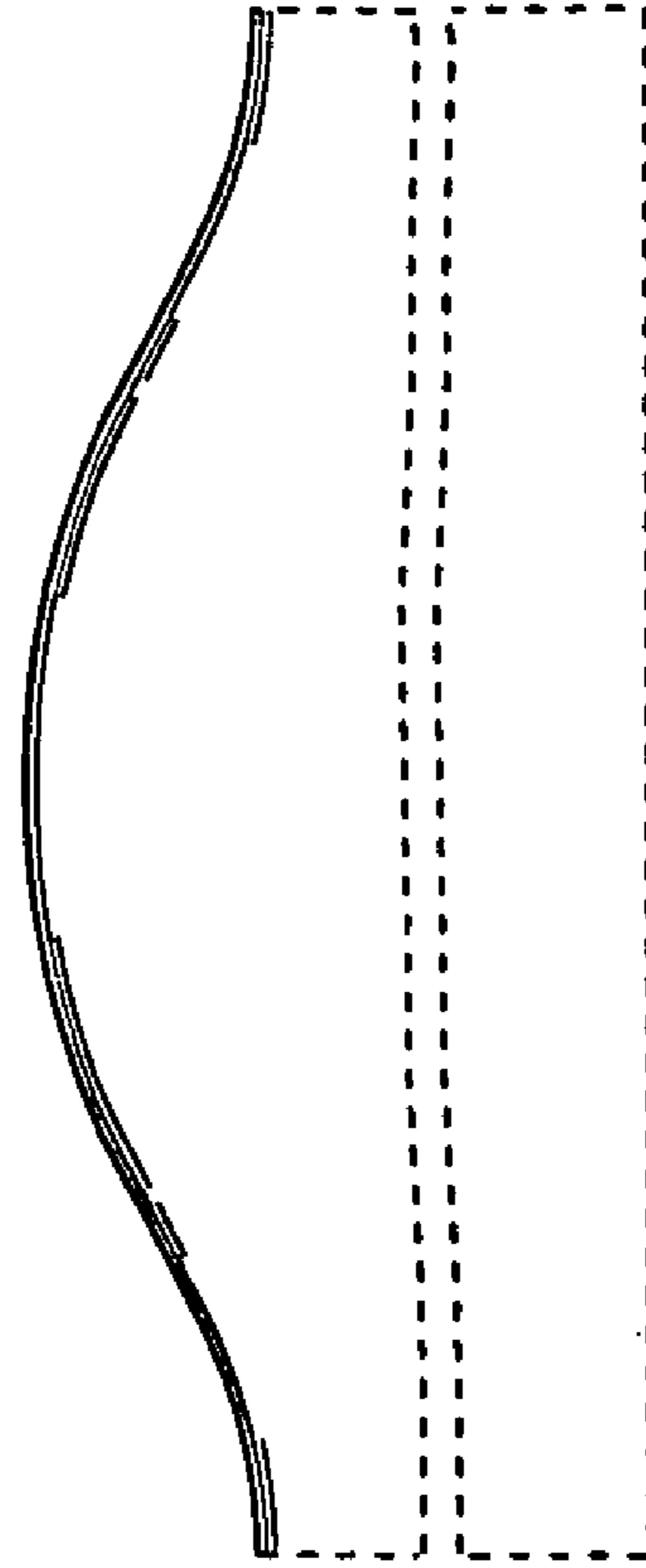


FIG. 2



FIG. 4

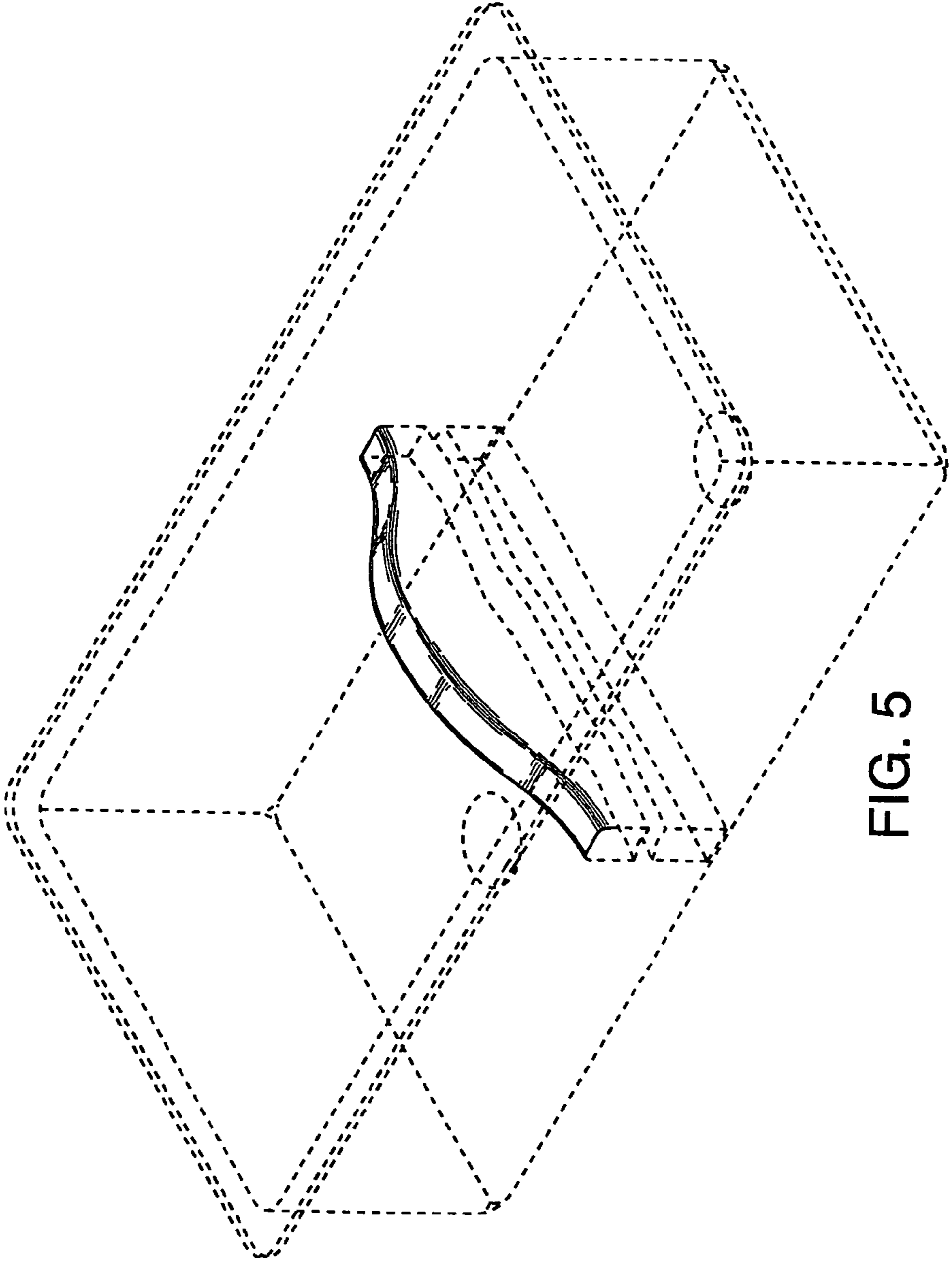


FIG. 5

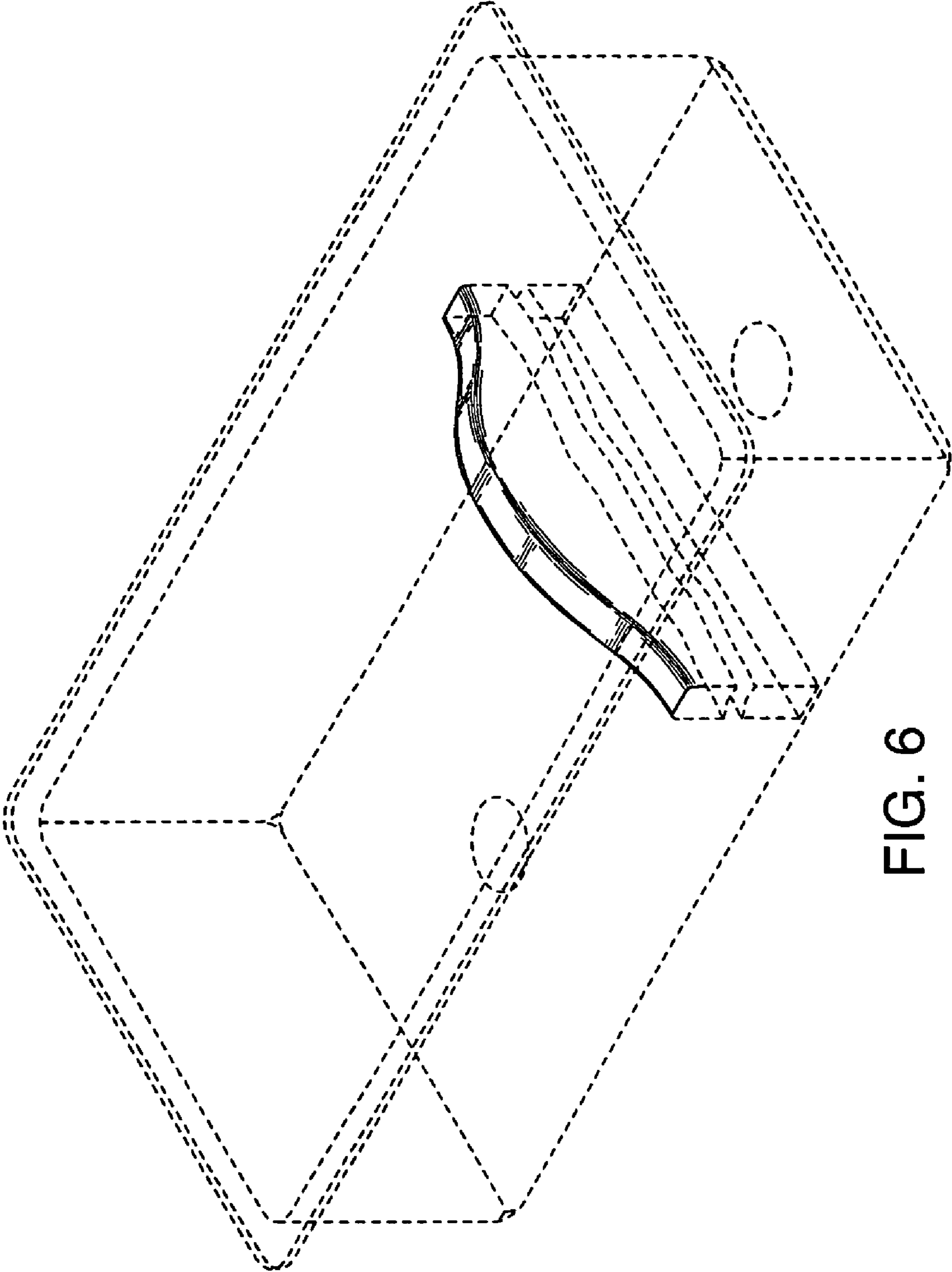


FIG. 6