

US00D544586S

(12) **United States Design Patent**
Gilbert et al.

(10) **Patent No.:** **US D544,586 S**
(45) **Date of Patent:** **** Jun. 12, 2007**

- (54) **SINK**
- (75) Inventors: **Christopher Jon Gilbert**, Moreland Hills, OH (US); **Jennifer Sedwick**, Lakewood, OH (US)
- (73) Assignee: **Moen Incorporated**, North Olmsted, OH (US)
- (**) Term: **14 Years**
- (21) Appl. No.: **29/258,470**
- (22) Filed: **Apr. 20, 2006**
- (51) **LOC (8) Cl.** **23-02**
- (52) **U.S. Cl.** **D23/293.1**
- (58) **Field of Classification Search** D23/270–273, D23/284–287, 289, 291–293.1, 303, 308; 4/619, 630–631, 637, 661, 638, 656–657; D21/524

- D412,204 S 7/1999 Slothower et al.
- D416,991 S 11/1999 Caplow
- D437,035 S 1/2001 Roberts
- D442,679 S 5/2001 Roberts
- D456,497 S 4/2002 Prou
- D484,956 S 1/2004 Rachiele
- D485,333 S 1/2004 Freeman
- D492,983 S 7/2004 Rachiele
- D495,791 S 9/2004 Bayer et al.
- D498,291 S 11/2004 Bayer
- D498,520 S 11/2004 Rachiele
- D498,521 S 11/2004 Bayer
- D499,797 S 12/2004 Bates
- D500,843 S 1/2005 Takou
- D504,496 S 4/2005 Bayer
- D505,188 S 5/2005 Bayer
- D507,040 S 7/2005 Ferrer Beltran
- D508,555 S 8/2005 Ziemann
- 2004/0068790 A1 4/2004 Simpkins

See application file for complete search history.

* cited by examiner

(56) **References Cited**

U.S. PATENT DOCUMENTS

- 33,115 A 8/1861 Walch
- 43,002 A 6/1864 Brady
- 240,146 A 4/1881 Kilbourne
- 300,983 A 6/1884 Kilbourne
- 417,441 A 12/1889 Reader
- D19,711 S 3/1890 Torrance
- 450,895 A 4/1891 Shattuck
- 555,485 A 2/1896 Johnston
- 943,750 A 12/1909 Leeking
- 1,642,853 A 9/1927 Gloekler
- D82,118 S 9/1930 Steele
- 1,778,300 A * 10/1930 Ramstead 4/630
- D126,226 S 1/1941 Steiner
- 2,672,255 A 3/1954 Mustee
- D174,042 S 2/1955 Kiefer
- D191,432 S 10/1961 Chapman
- D200,845 S 4/1965 Aarnio
- 3,369,261 A 2/1968 Tiller
- D210,828 S 4/1968 Mustee
- 3,495,276 A * 2/1970 Suess 4/661
- D219,323 S 11/1970 Bost
- D232,093 S 7/1974 Schrock
- D319,095 S 8/1991 Lenahan
- 5,494,718 A 2/1996 Adams et al.

Primary Examiner—Robert A. Delehanty

(74) *Attorney, Agent, or Firm*—Calfee, Halter & Griswold LLP

(57) **CLAIM**

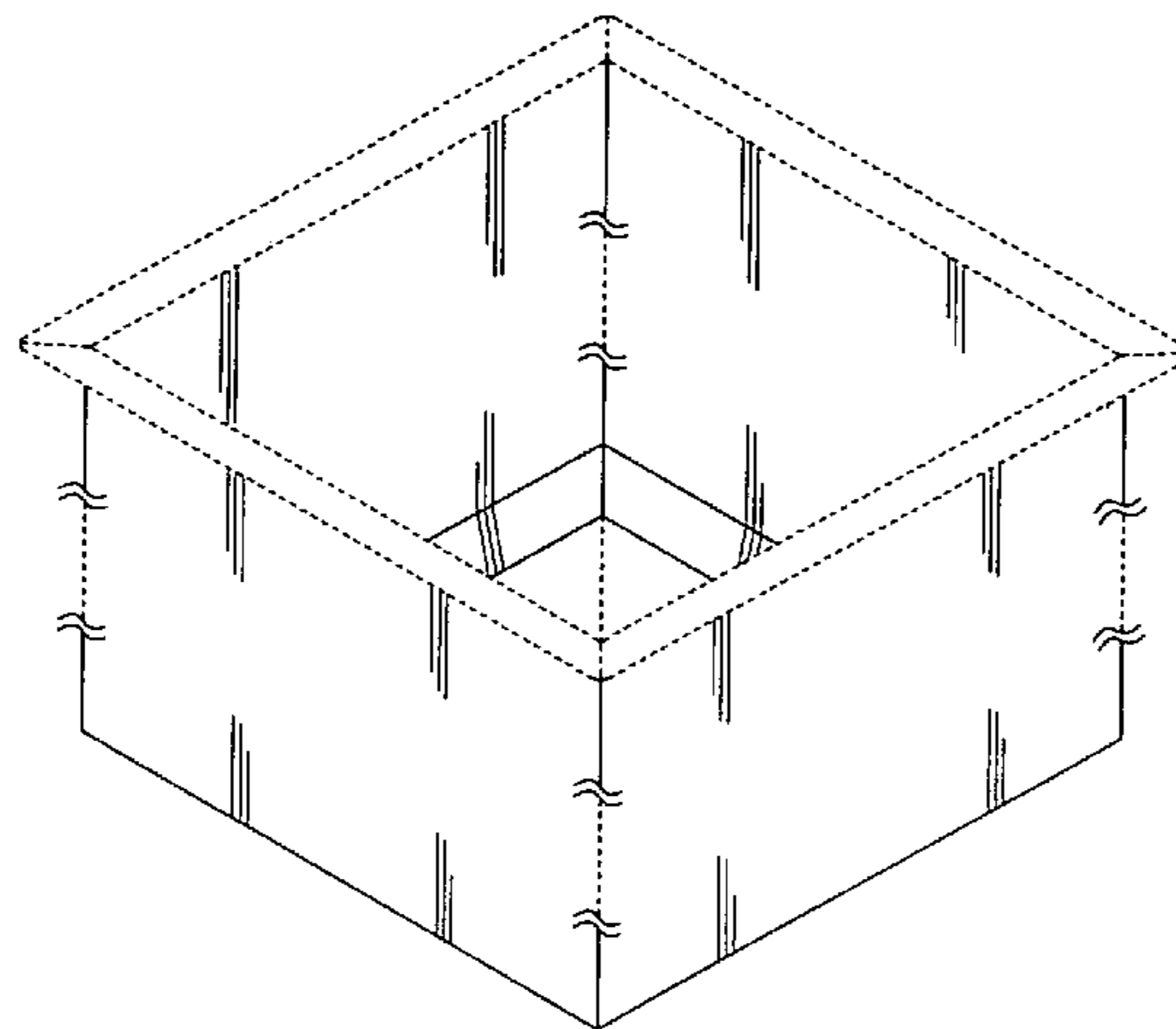
The ornamental design for a sink, as shown and described.

DESCRIPTION

FIG. 1 is a perspective view of a sink of the new design; FIG. 2 is a front elevational view of the sink of FIG. 1, the rear elevational view being a mirror image; FIG. 3 is a right side elevational view of the sink of FIG. 1, the left side elevational view being a mirror image; FIG. 4 is a top plan view of the sink of FIG. 1; and, FIG. 5 is a bottom plan view of the sink of FIG. 1.

The portions of the Figures shown in broken lines are not part of the claimed design and are for illustration only. The pairs of wavy lines in the Figures represent boundaries of the claimed design and are not part of the claimed design. The portions between such pairs of wavy lines are of indeterminate length.

1 Claim, 3 Drawing Sheets



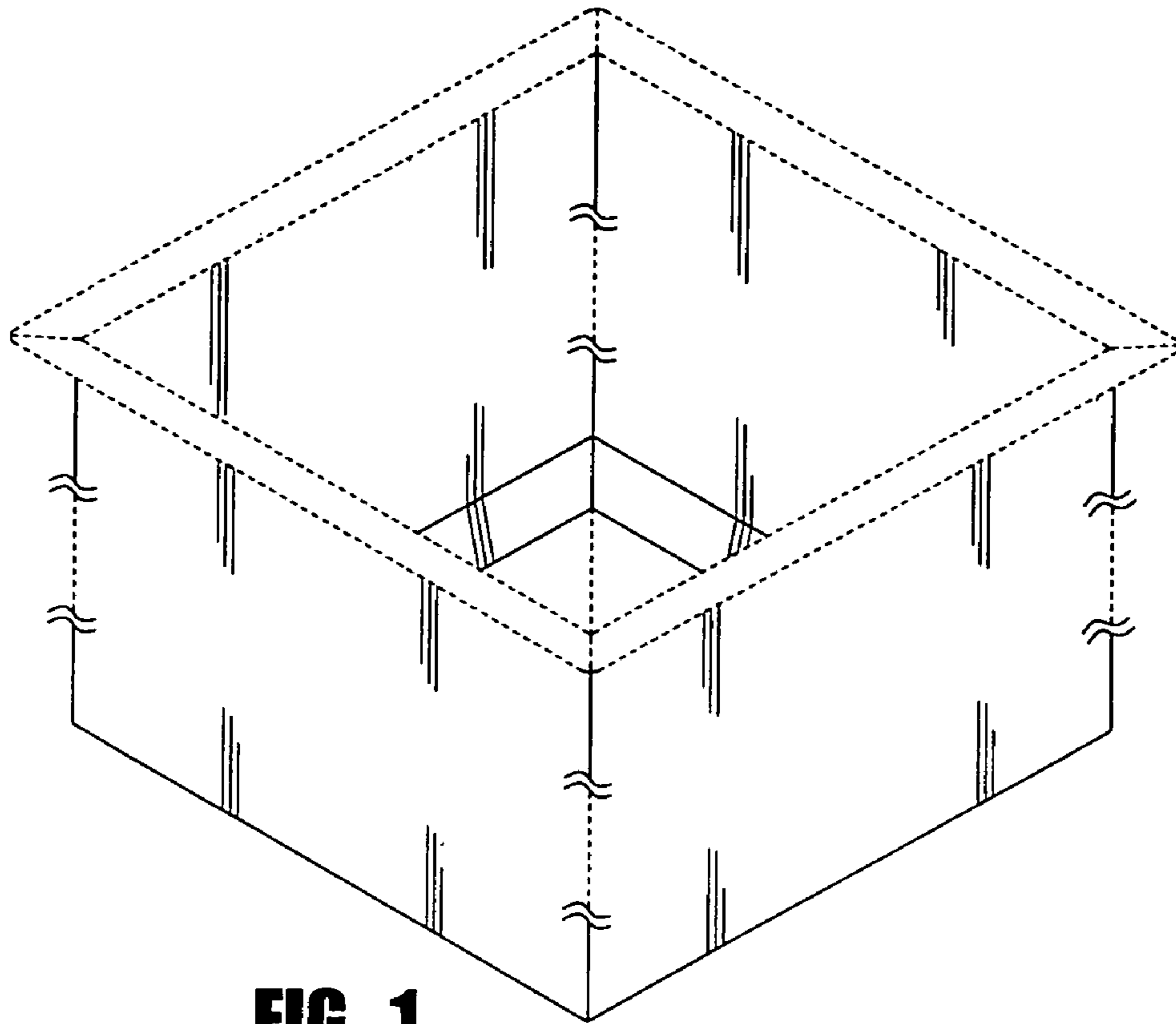


FIG. 1

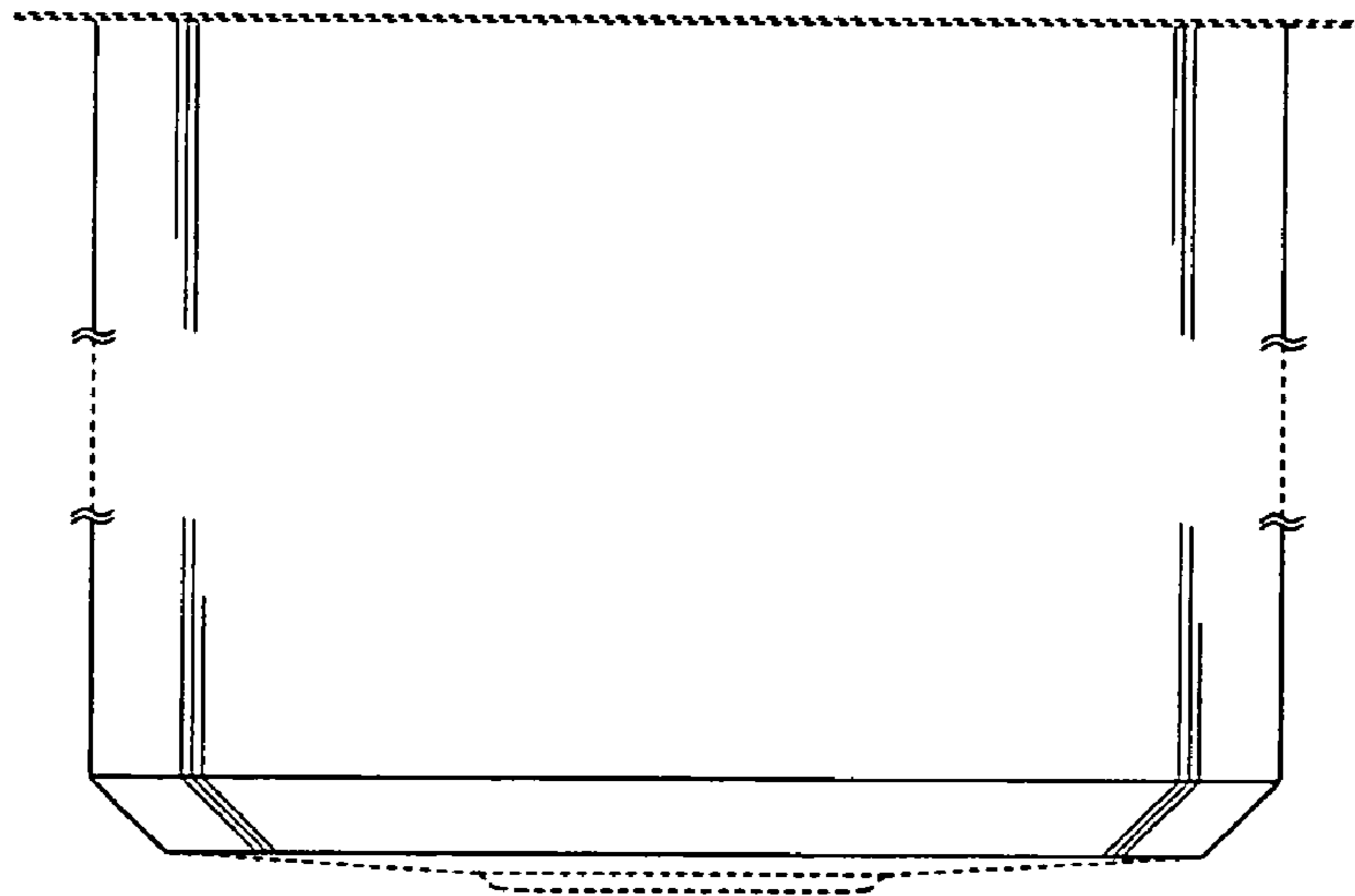


FIG. 2

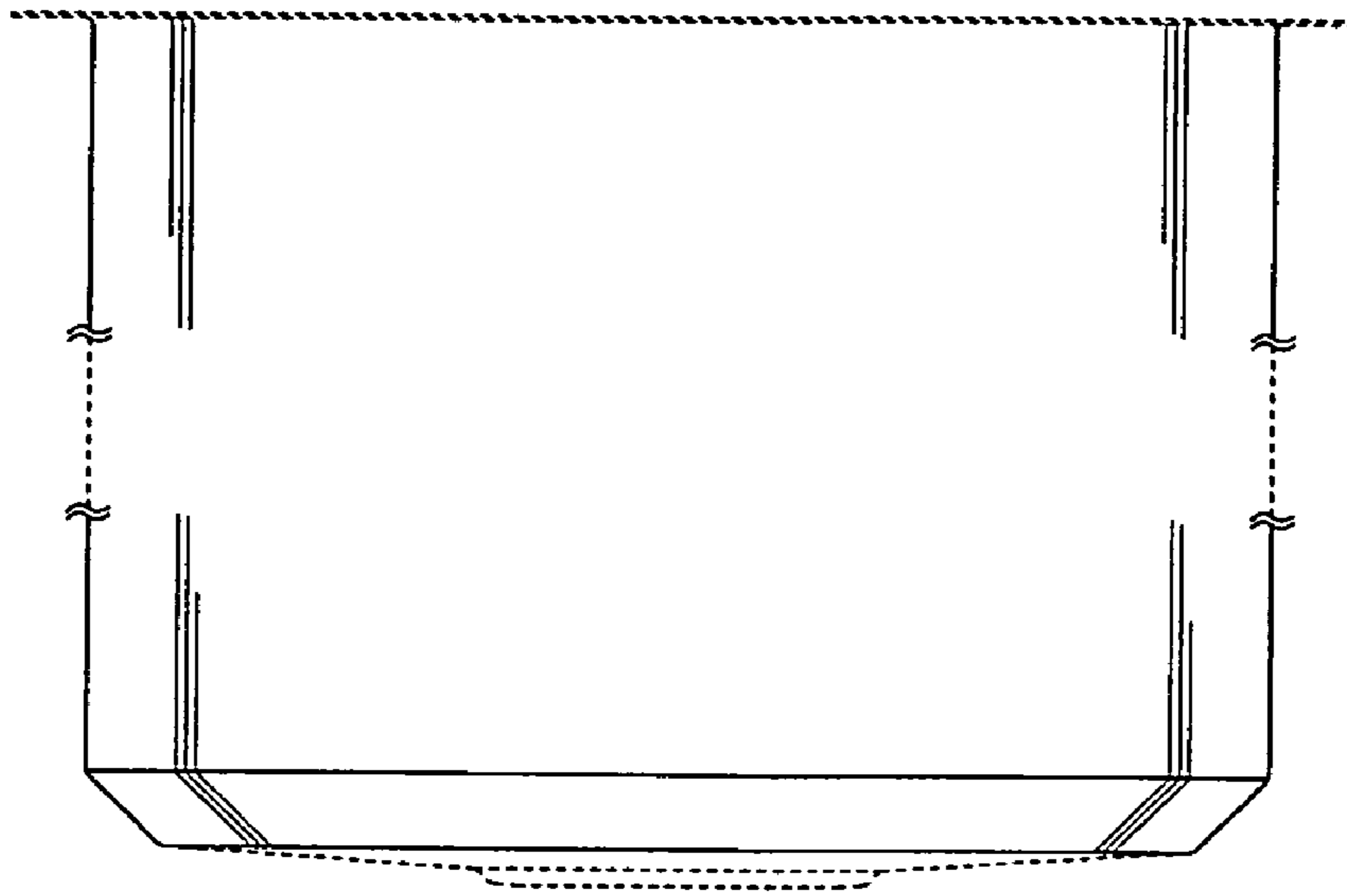


FIG. 3

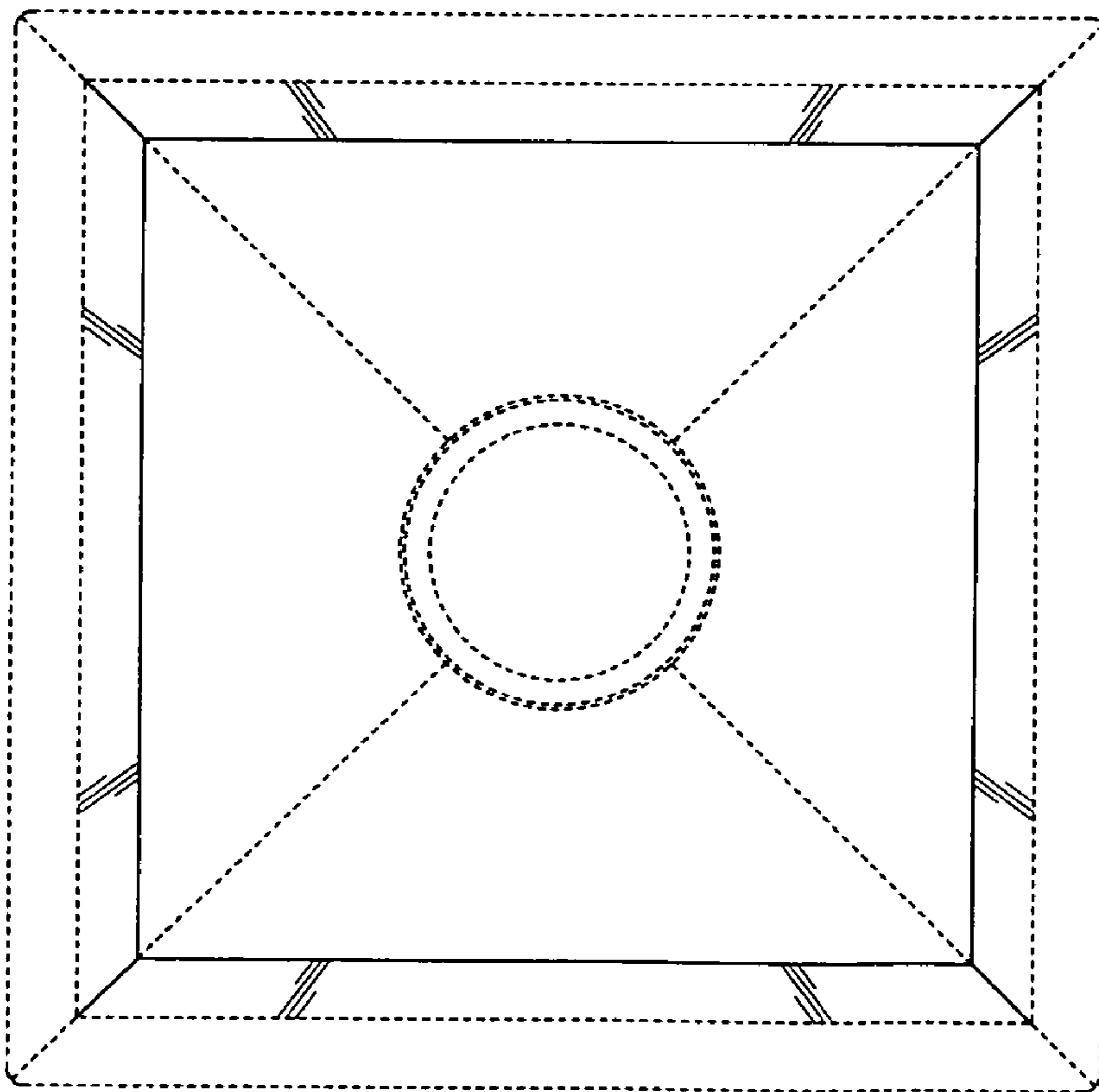


FIG. 4

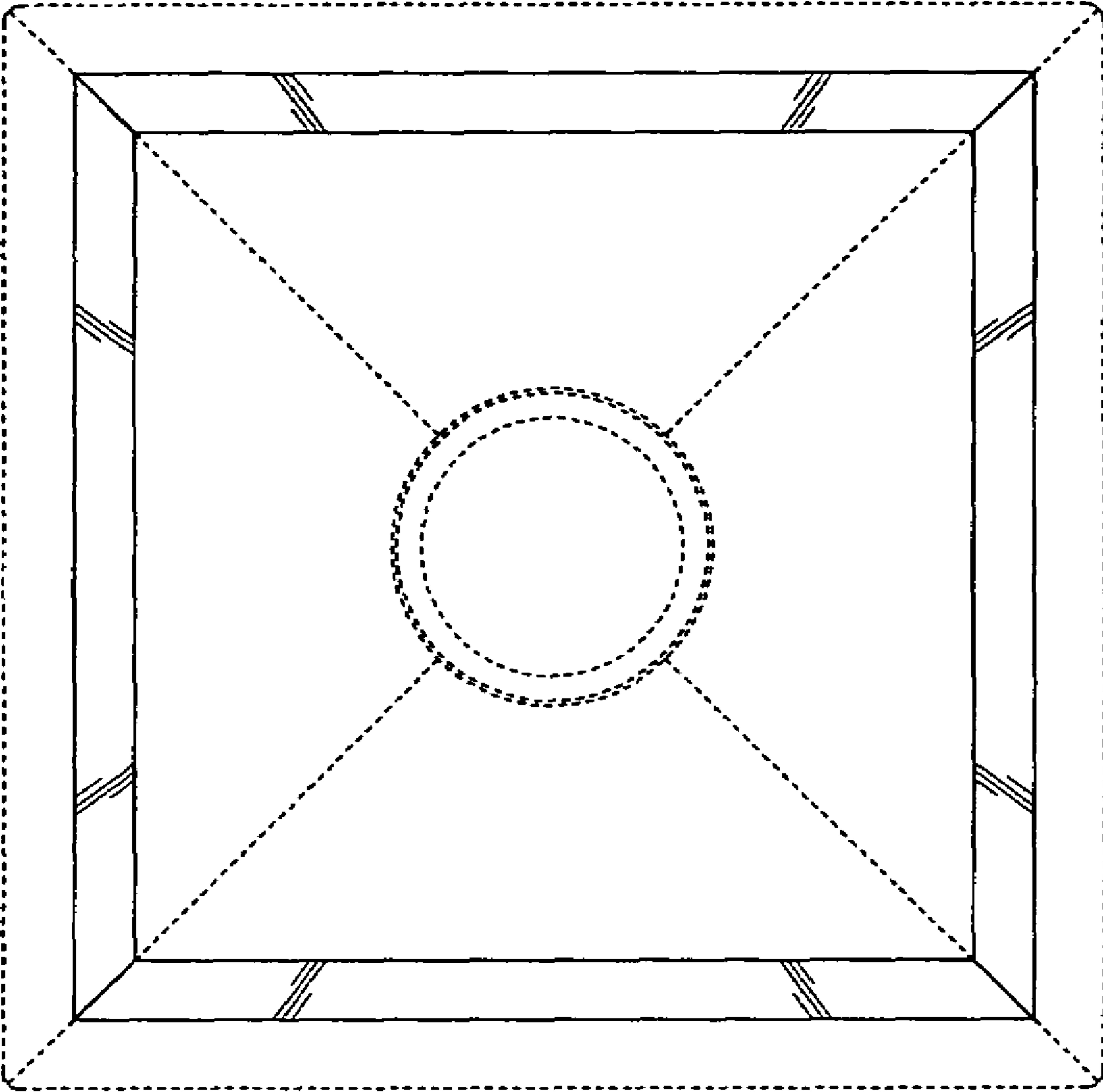


FIG. 5