



US00D544585S

(12) **United States Design Patent**
Lebrun et al.

(10) **Patent No.:** **US D544,585 S**
(45) **Date of Patent:** **** Jun. 12, 2007**

(54) **SHOWER**

(75) Inventors: **Bernard Lebrun**, St-Joseph-de-Lévis (CA); **Gabriel Boutin**, Saint-Jean-Chysostome (CA); **Bruno Côté**, Saint-Isidore (CA); **Steve Donnelly**, Saint-Antoine-de-Tilly (CA); **Sylvain Dufour**, Lachenaie (CA); **Nicolas Lebrun**, St-Isidore (CA); **John Penterman**, Montréal (CA); **Suzanne Ouellette**, Montréal (CA)

(73) Assignee: **MAAX Canada Inc.**, Montreal, Quebec

(**) Term: **14 Years**

(21) Appl. No.: **29/220,150**

(22) Filed: **Dec. 28, 2004**

(30) **Foreign Application Priority Data**

Jun. 28, 2004 (CA) 107405

(51) **LOC (8) Cl.** **23-02**

(52) **U.S. Cl.** **D23/283**

(58) **Field of Classification Search** D23/273,
D23/275, 283, 303-304; 4/596-597, 612,
4/614, DIG. 15

See application file for complete search history.

(56) **References Cited**

U.S. PATENT DOCUMENTS

1,664,543 A * 4/1928 Easterman 52/204.58

D321,755 S * 11/1991 Poulson et al. D23/305
5,642,959 A * 7/1997 Greferath 4/596
2004/0003459 A1 * 1/2004 Ferreri et al. 4/597
2005/0071916 A1 * 4/2005 Rooke et al. 4/612
2005/0188459 A1 * 9/2005 Lanius 4/605

OTHER PUBLICATIONS

Charmac® Inc.: Shower & Tub Enclosures brochure, Aug. 1995.*

* cited by examiner

Primary Examiner—Robert A. Delehanty

(57) **CLAIM**

The ornamental design of a shower, as shown and described.

DESCRIPTION

FIG. 1 is a front perspective view of the shower, showing our new design;

FIG. 2 is a top view thereof;

FIG. 3 is a bottom view thereof;

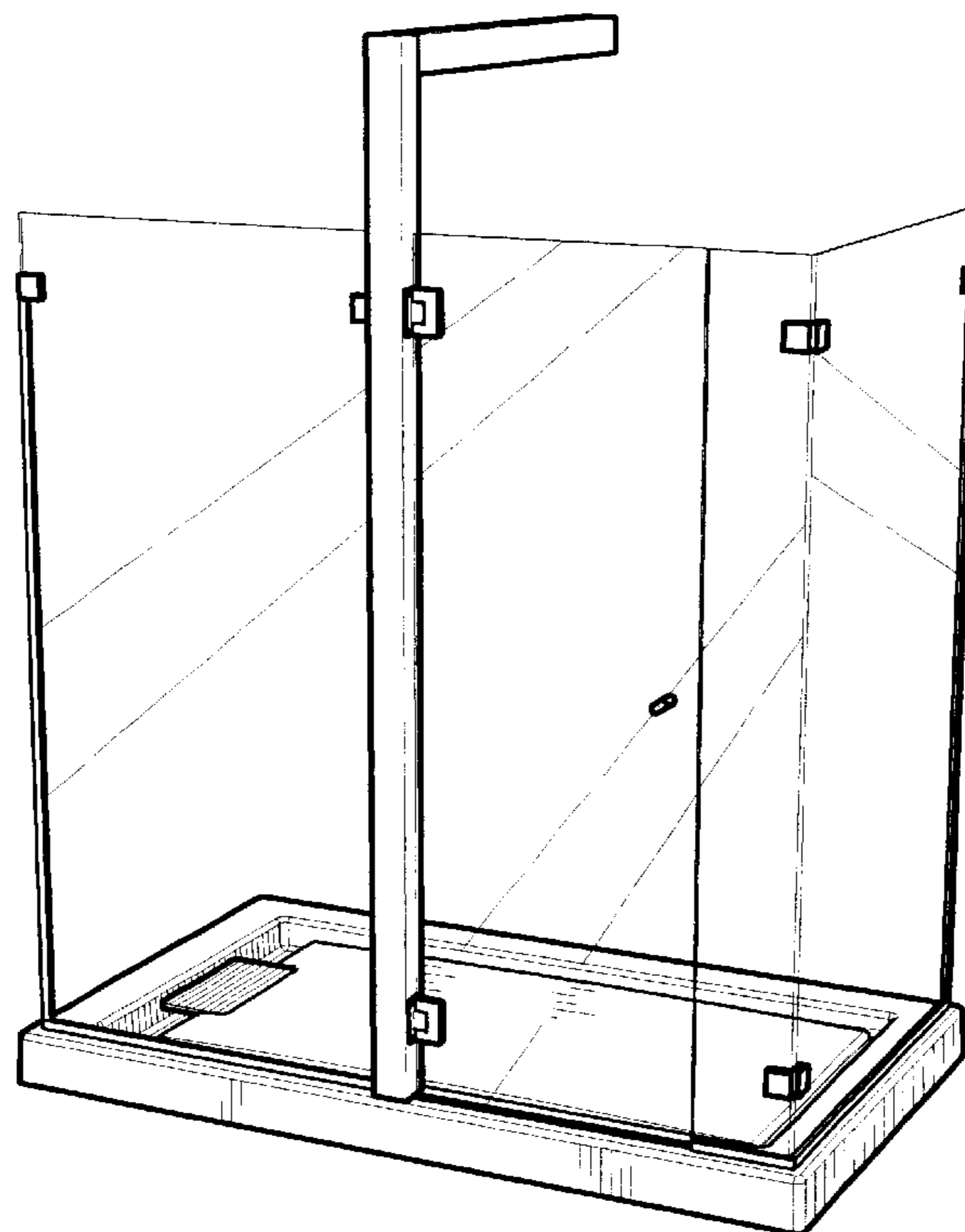
FIG. 4 is a front elevation view thereof;

FIG. 5 is a right side elevation view thereof;

FIG. 6 is a rear elevation view thereof; and,

FIG. 7 is a left side elevation view thereof.

1 Claim, 3 Drawing Sheets



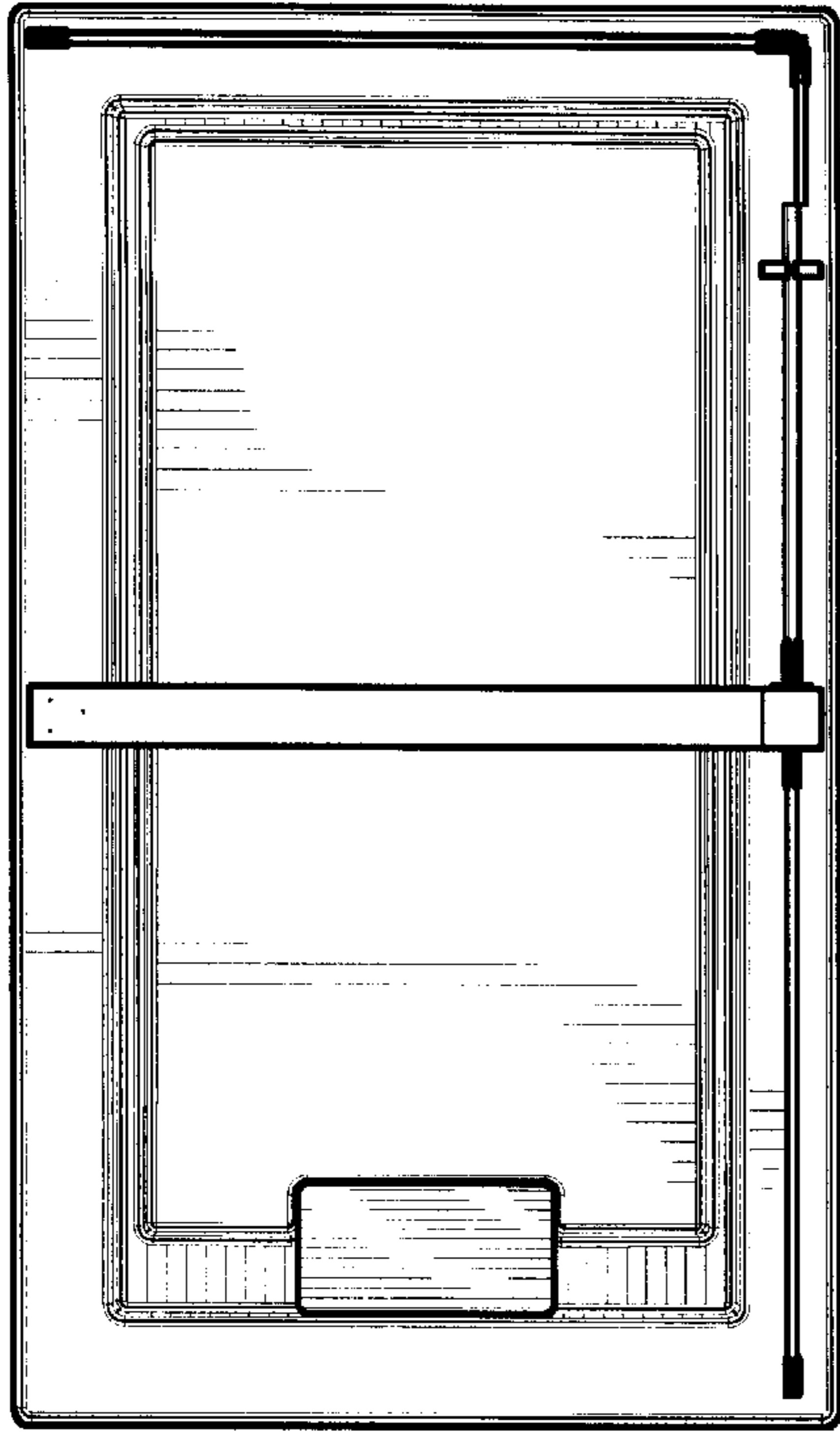


Fig. 2

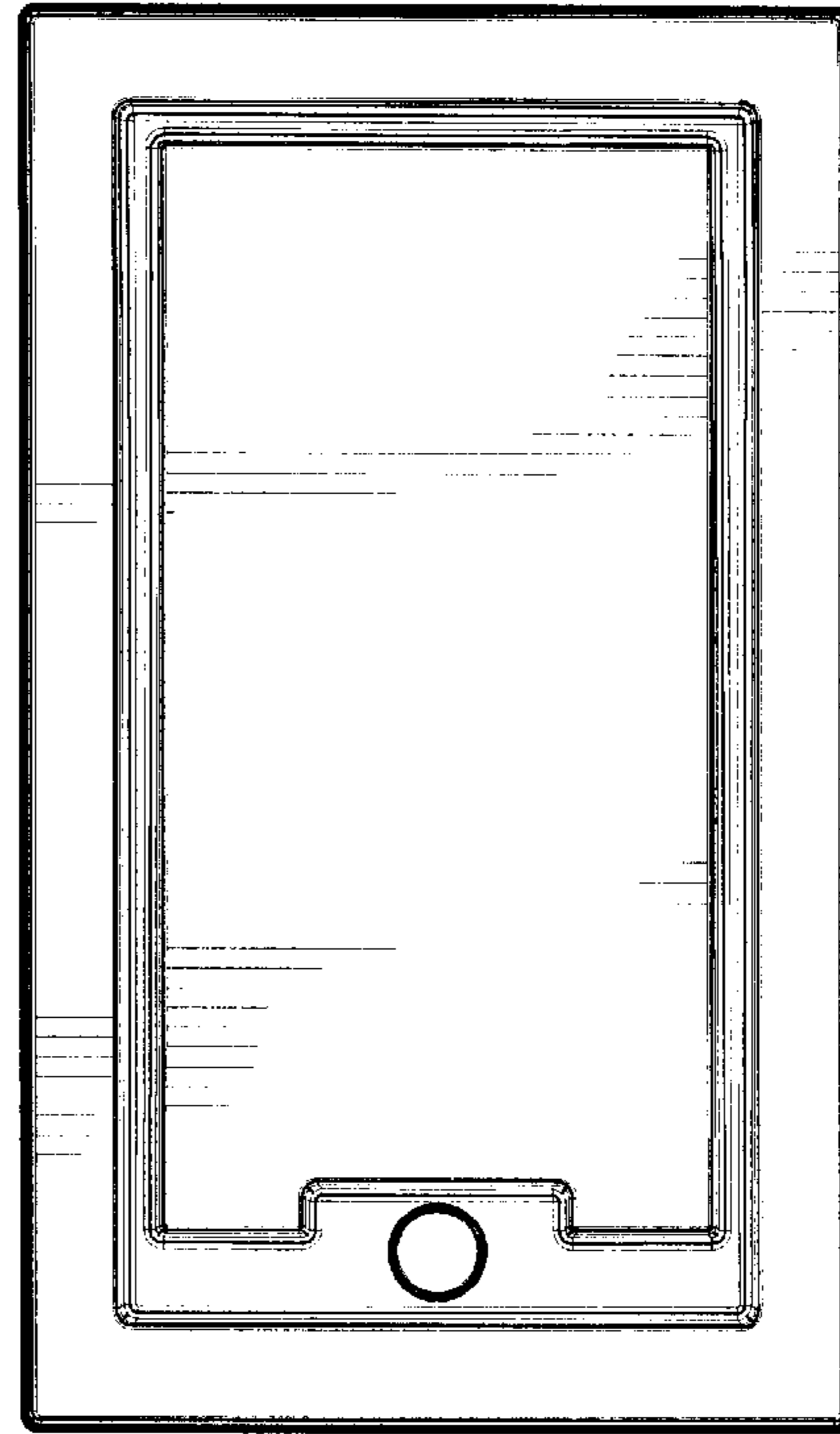


Fig. 3

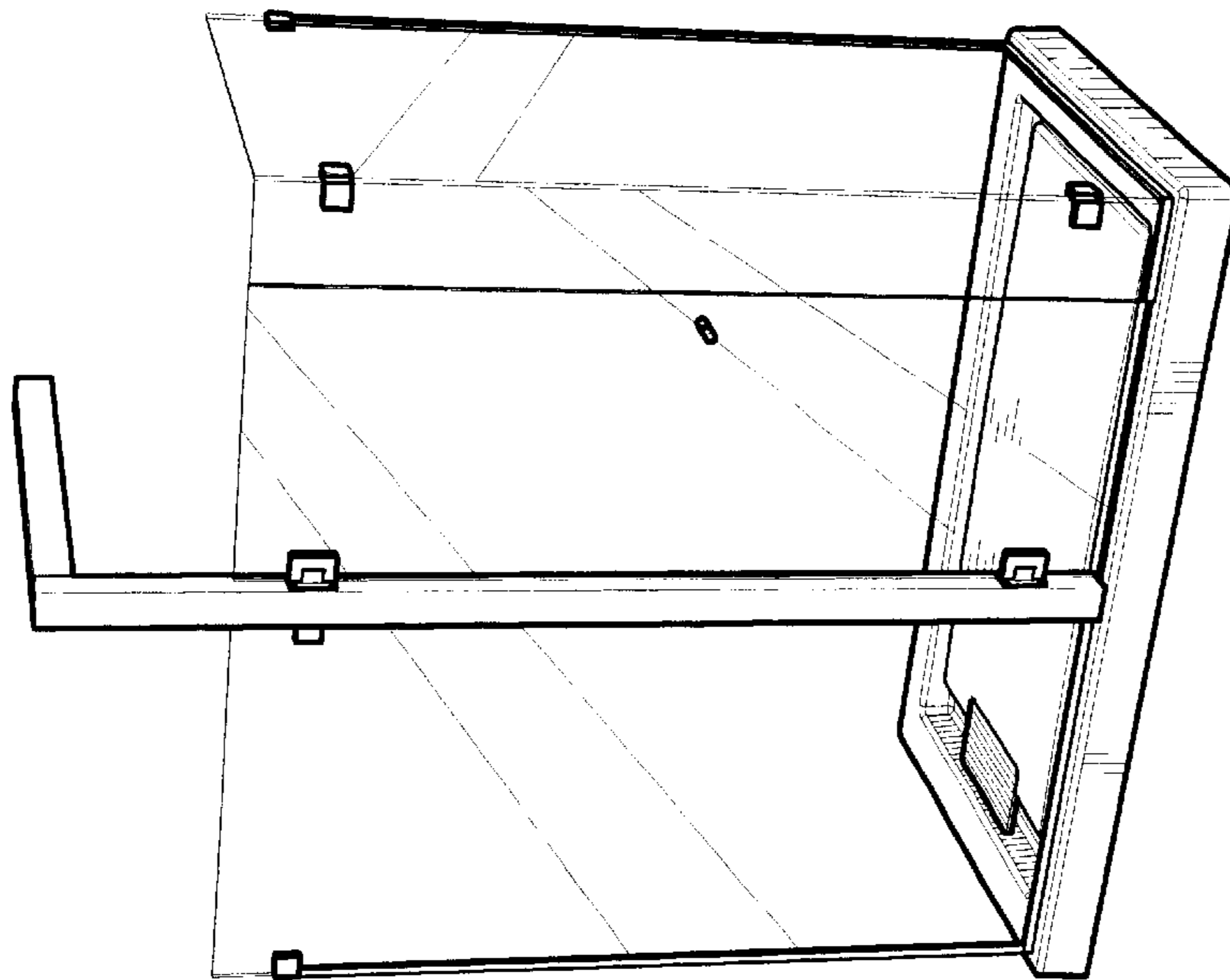


Fig. 1

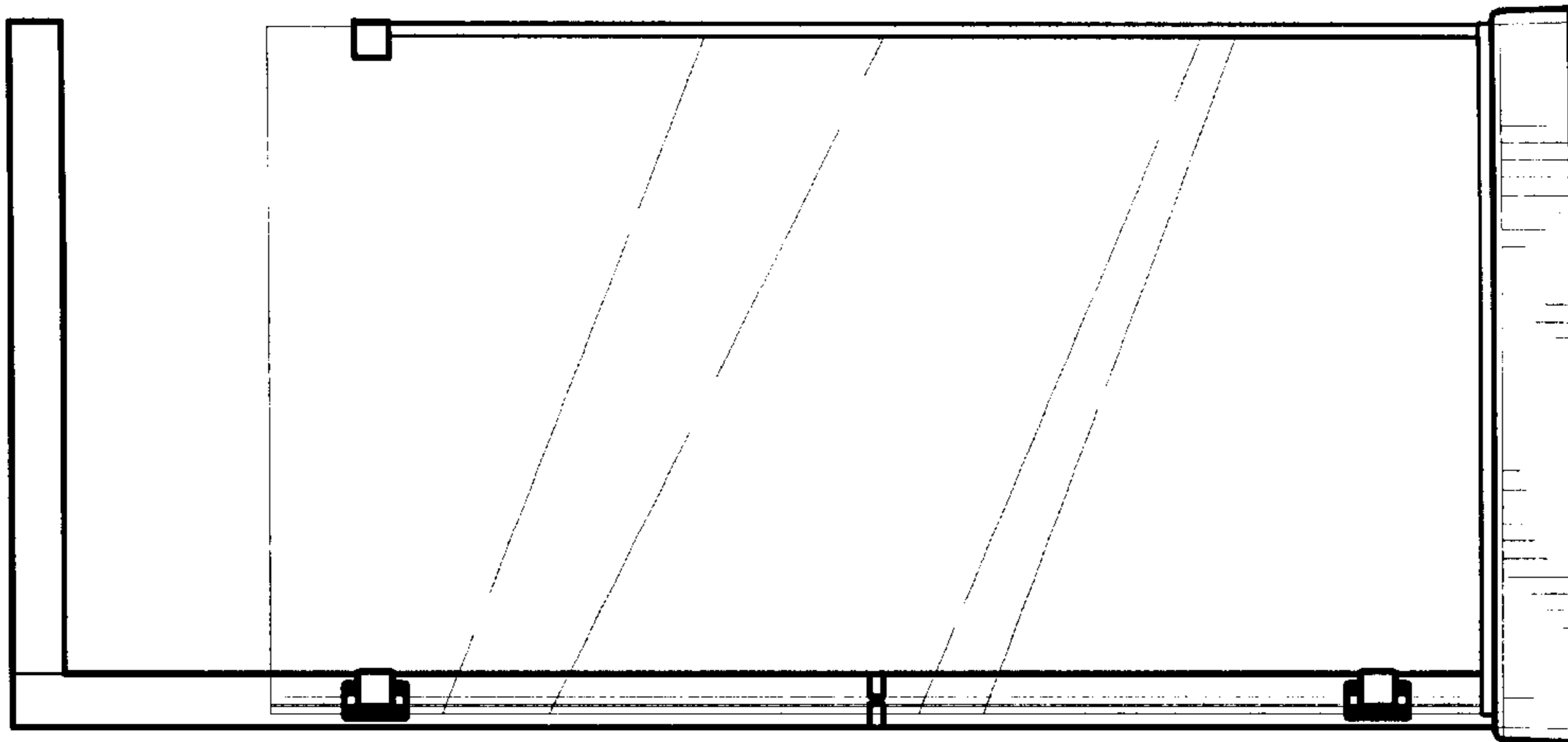


Fig. 5

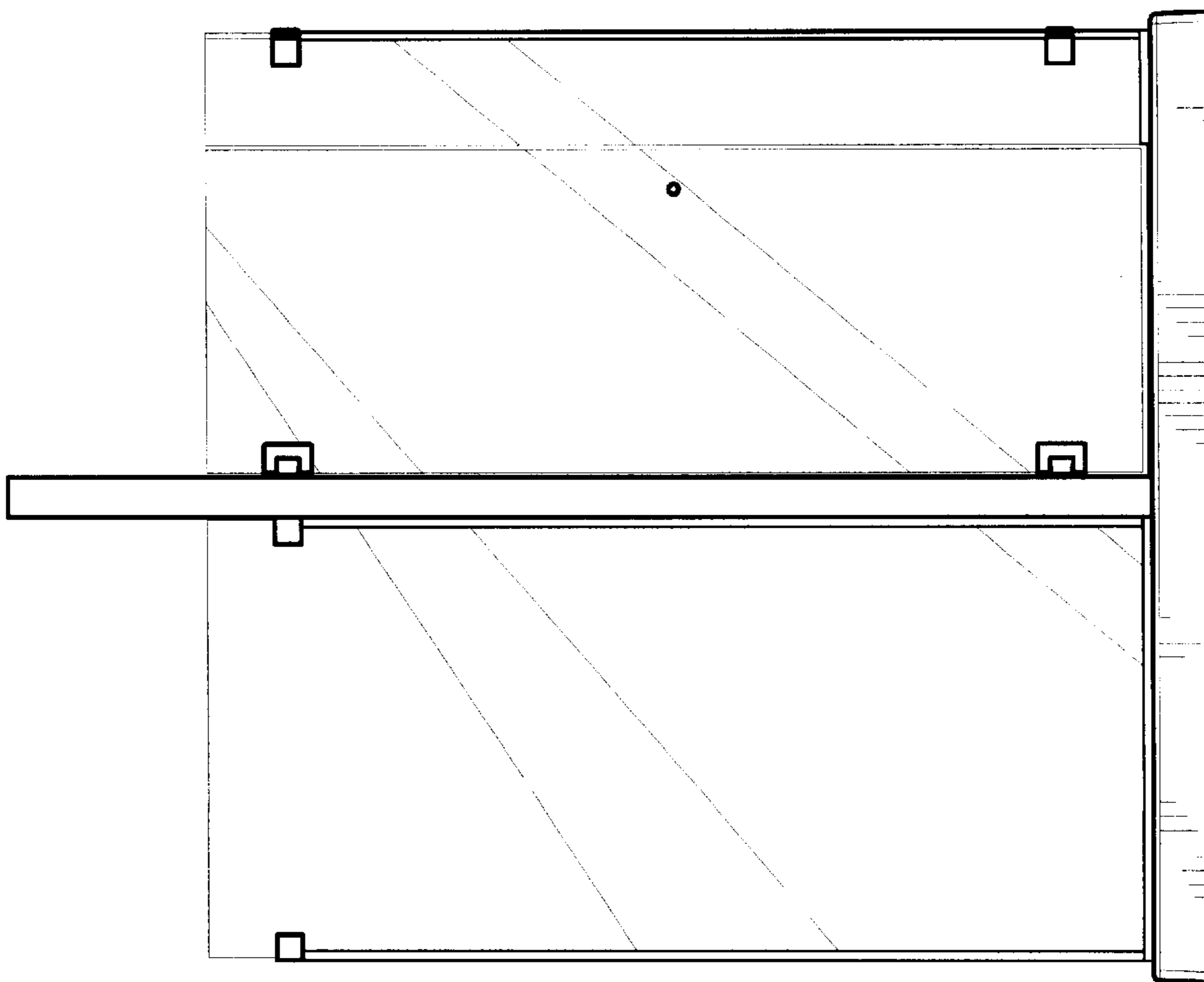


Fig. 4

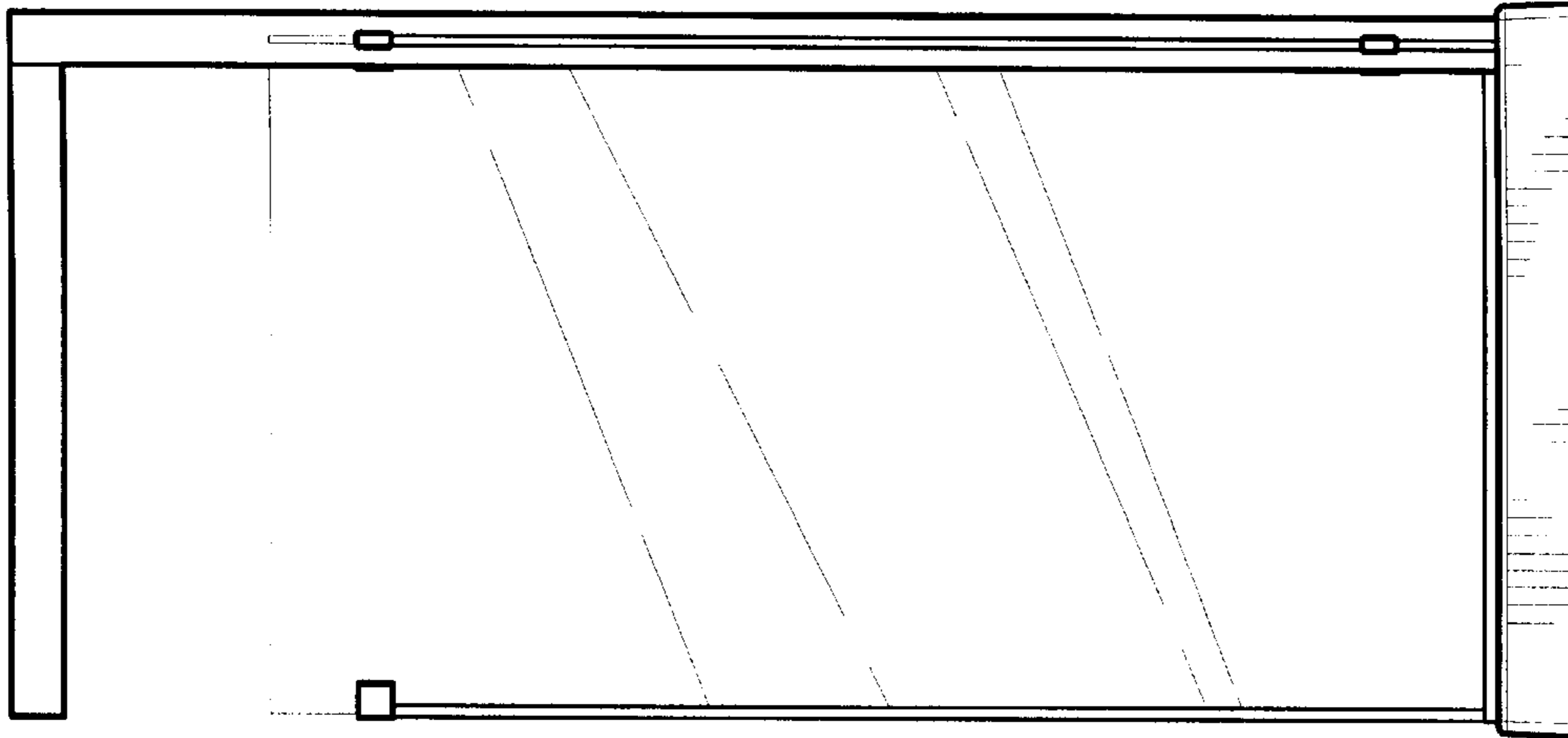


Fig. 7

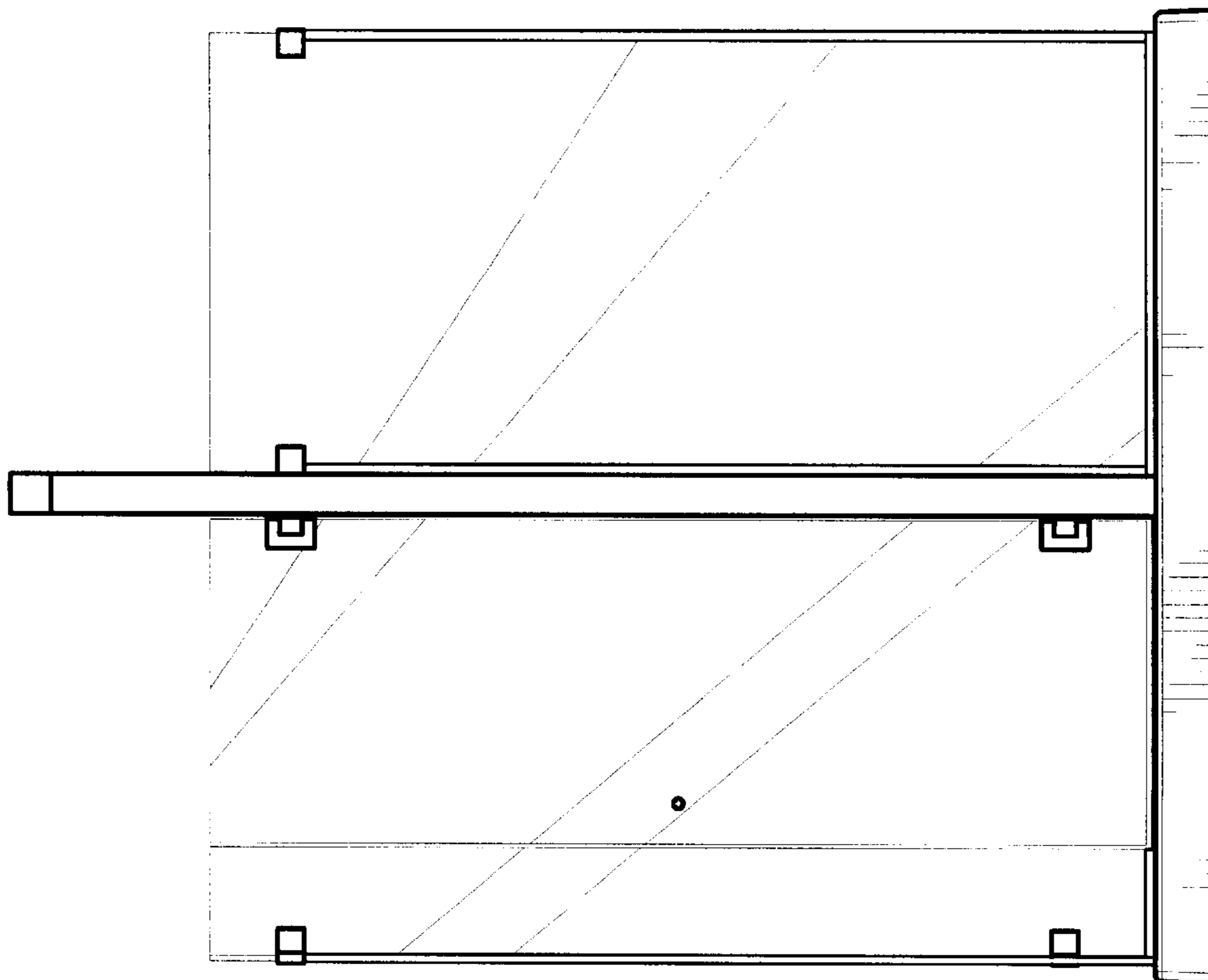


Fig. 6