



US00D544575S

(12) **United States Design Patent**  
**Matsumoto et al.**

(10) **Patent No.:** **US D544,575 S**

(45) **Date of Patent:** **\*\* Jun. 12, 2007**

(54) **ELECTROMAGNETIC VALVE**

(75) Inventors: **Takumi Matsumoto**, Tsukubamirai  
(JP); **Kazuhiro Noguchi**, Tsukubamirai  
(JP)

(73) Assignee: **SMC Corporation**, Chiyoda-ku, Tokyo  
(JP)

(\*\*) Term: **14 Years**

(21) Appl. No.: **29/262,069**

(22) Filed: **Jun. 26, 2006**

(30) **Foreign Application Priority Data**

Dec. 27, 2005 (JP) ..... 2005-038180

(51) **LOC (8) Cl.** ..... **23-01**

(52) **U.S. Cl.** ..... **D23/233**

(58) **Field of Classification Search** ..... D23/233-237,  
D23/244-249; D15/5, 7, 199; 137/554,  
137/557, 560, 882, 884, 269, 271, 343, 625.64;  
251/596.13, 596.16, 331, 219, 15, 130, 129.04;  
4/304

See application file for complete search history.

(56) **References Cited**

**U.S. PATENT DOCUMENTS**

D335,172 S \* 4/1993 Tamaki ..... D23/248  
D338,258 S \* 8/1993 Tamaki ..... D23/248  
D338,516 S \* 8/1993 Tamaki ..... D23/248

D409,279 S \* 5/1999 Hayashi et al. .... D23/233  
D416,309 S \* 11/1999 Hayashi et al. .... D23/233  
D524,910 S \* 7/2006 Matsumoto et al. .... D23/233  
D533,254 S \* 12/2006 Miyazoe et al. .... D23/233  
D533,255 S \* 12/2006 Miyazoe et al. .... D23/233

\* cited by examiner

*Primary Examiner*—Charles A. Rademaker

*Assistant Examiner*—Maurice Stevens

(74) *Attorney, Agent, or Firm*—Peter Ganjian

(57) **CLAIM**

The ornamental design for an electromagnetic valve, as shown and described.

**DESCRIPTION**

FIG. 1 shows a front view of an electromagnetic valve showing my new design;

FIG. 2 shows a back view thereof;

FIG. 3 shows a top view thereof;

FIG. 4 shows a bottom view thereof;

FIG. 5 shows a left side view thereof;

FIG. 6 shows a right side view thereof;

FIG. 7 shows a perspective view thereof; and,

FIG. 8 shows a perspective view thereof.

The broken line showing is for illustrative purposes only and forms no part of the claimed design.

**1 Claim, 3 Drawing Sheets**

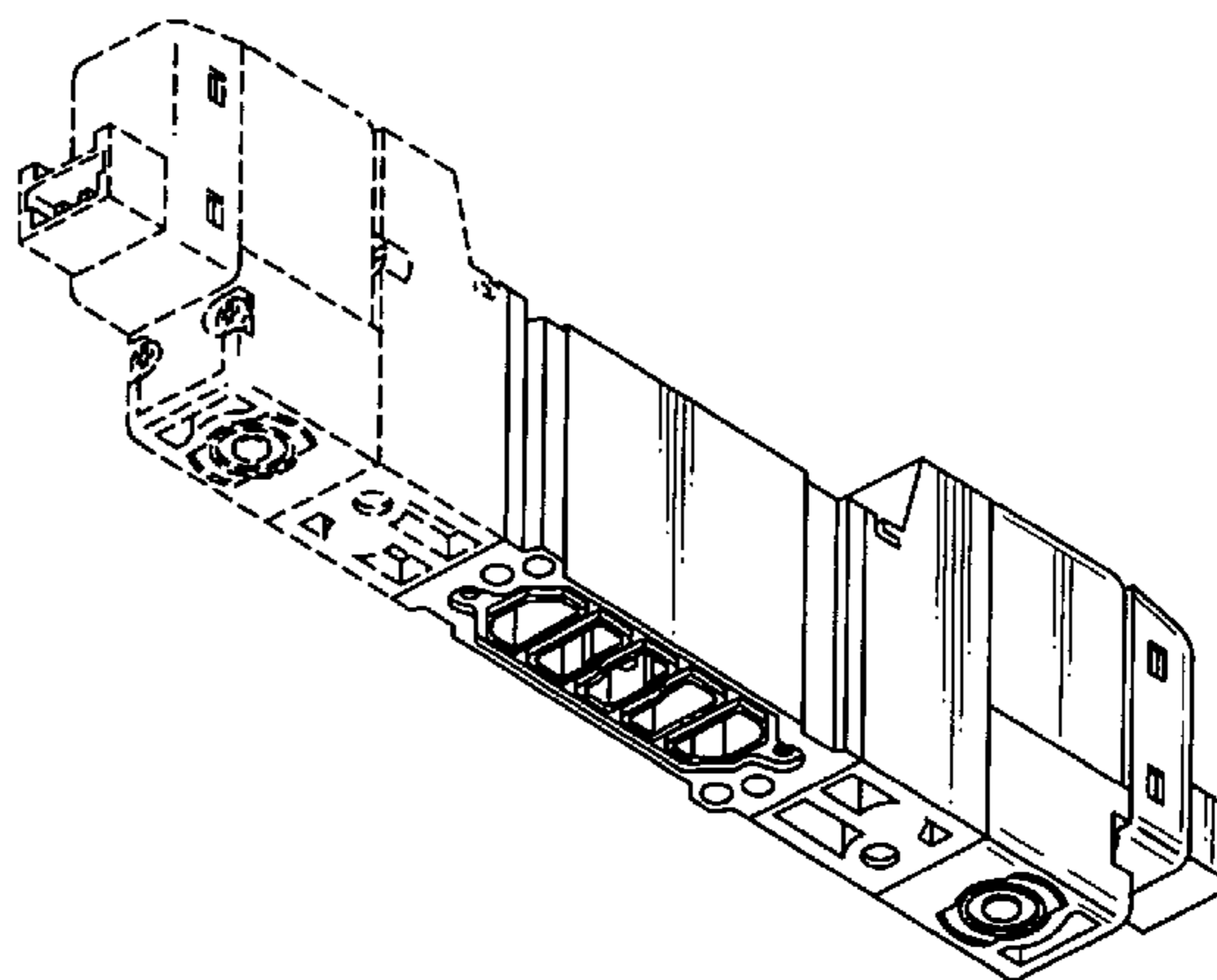
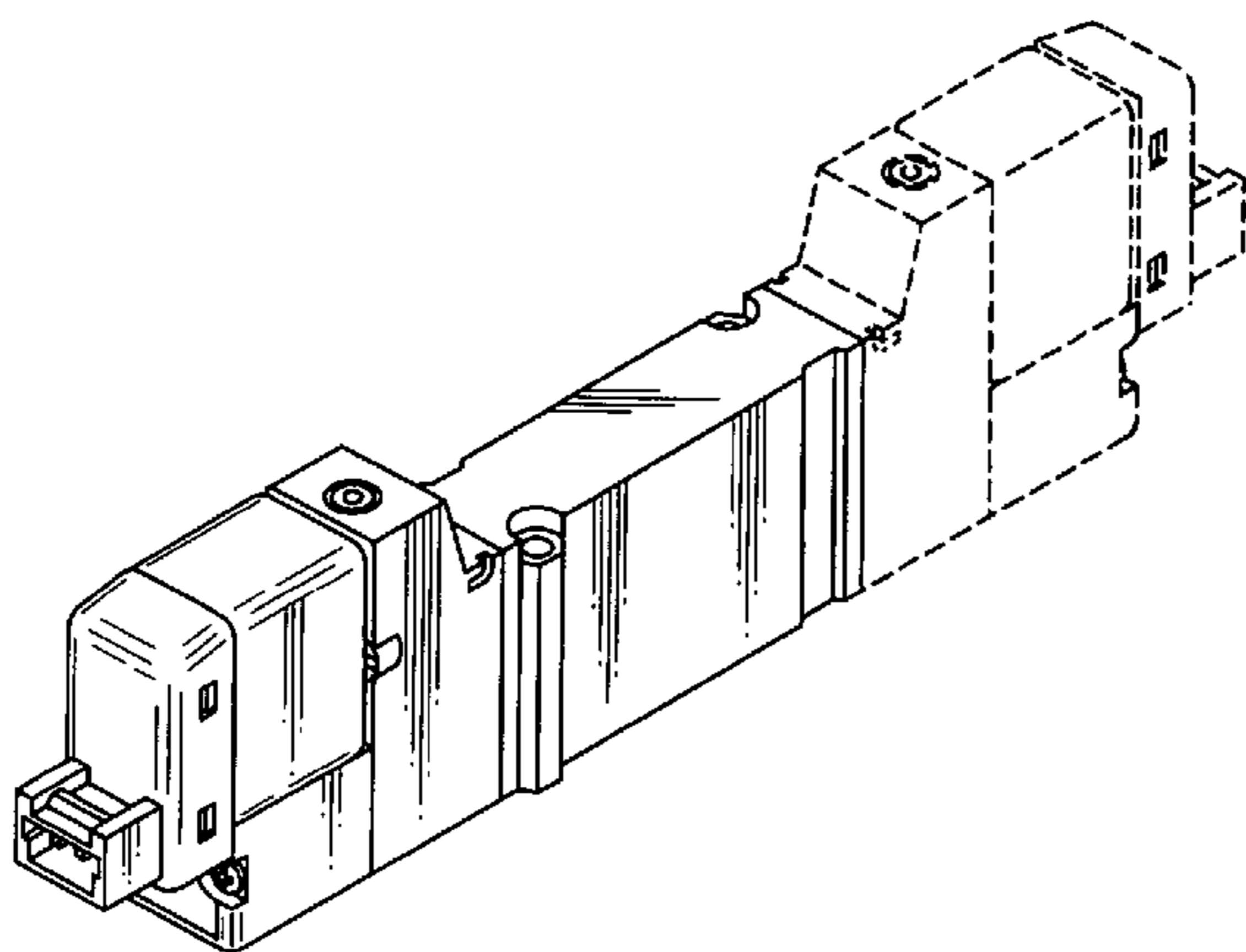


FIG. 1

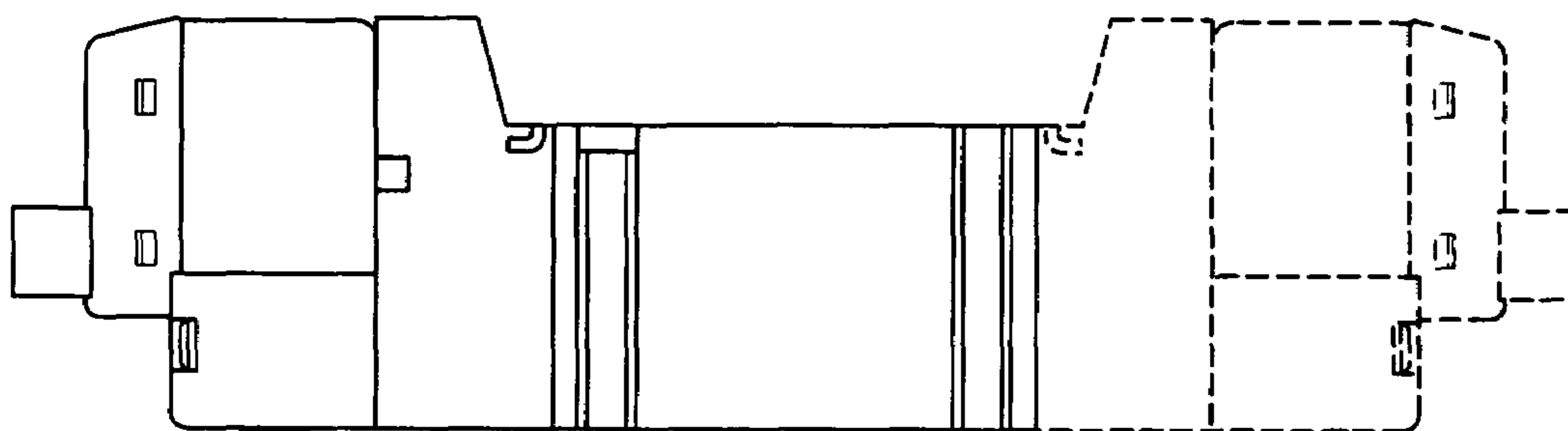


FIG. 2

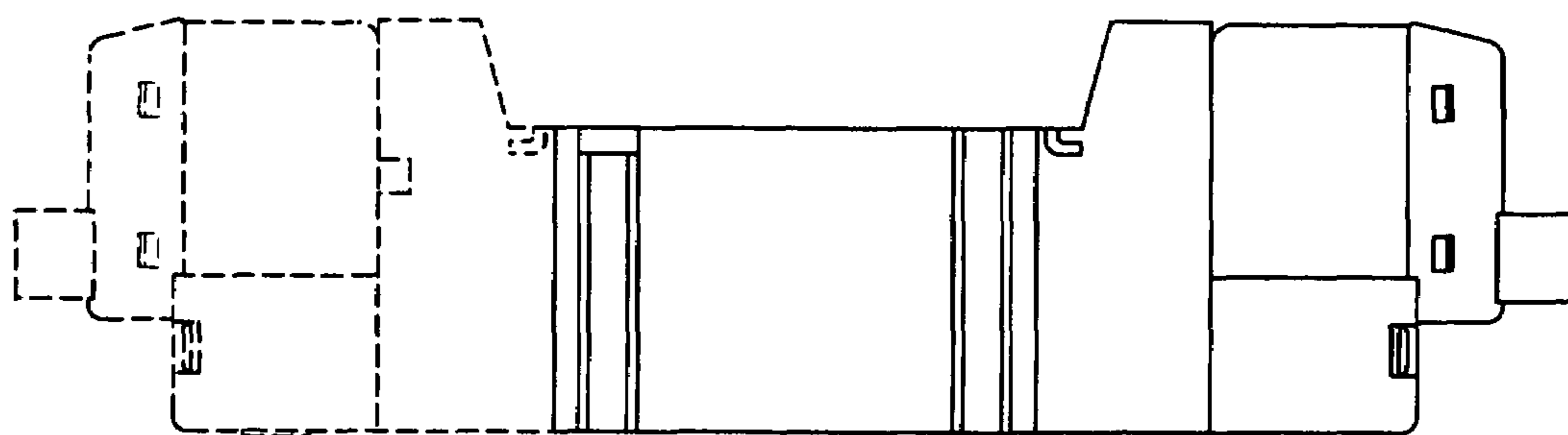


FIG. 3

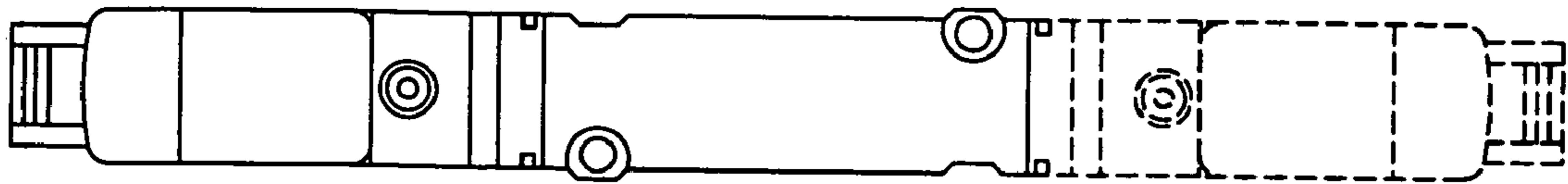


FIG. 4

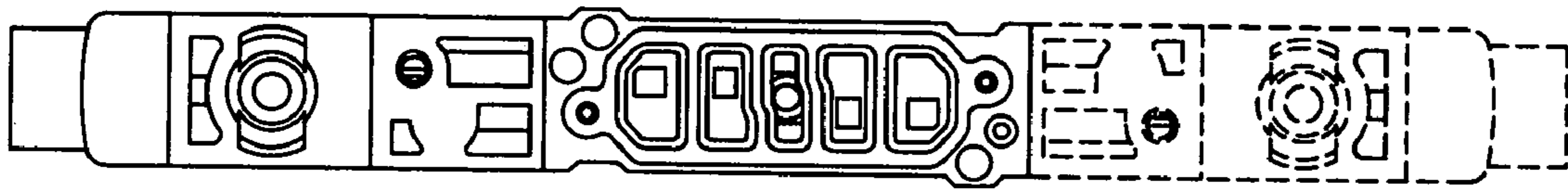


FIG. 5

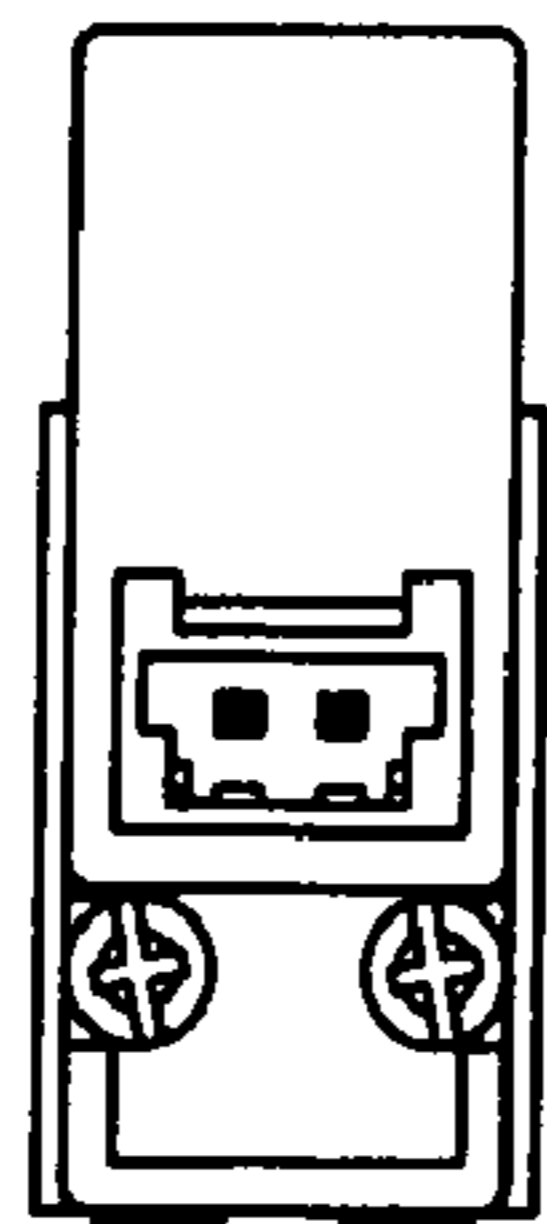


FIG. 6

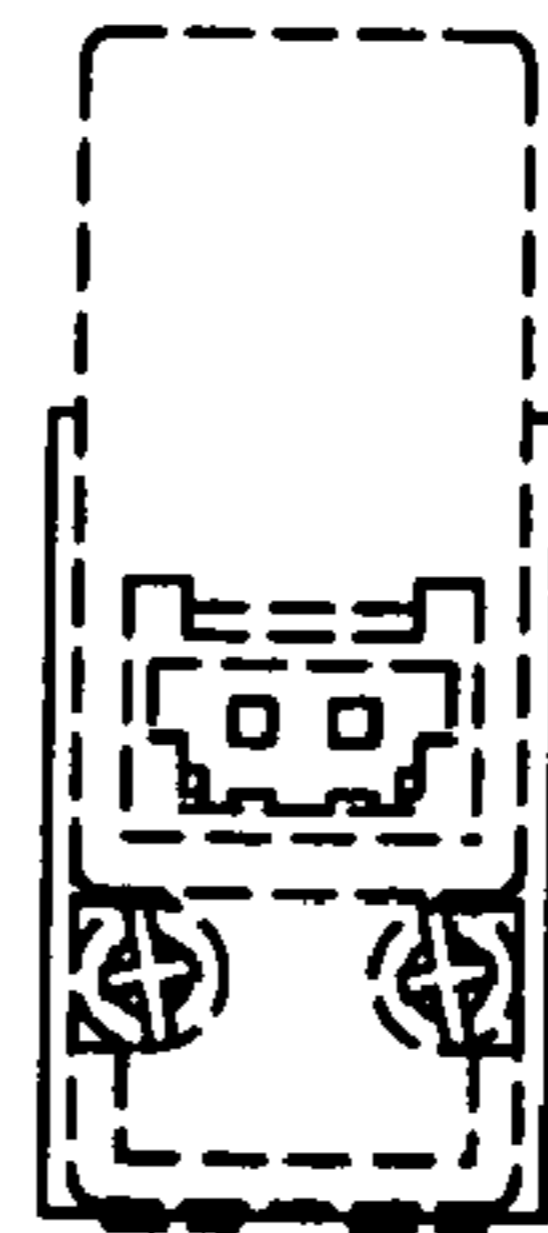


FIG. 7

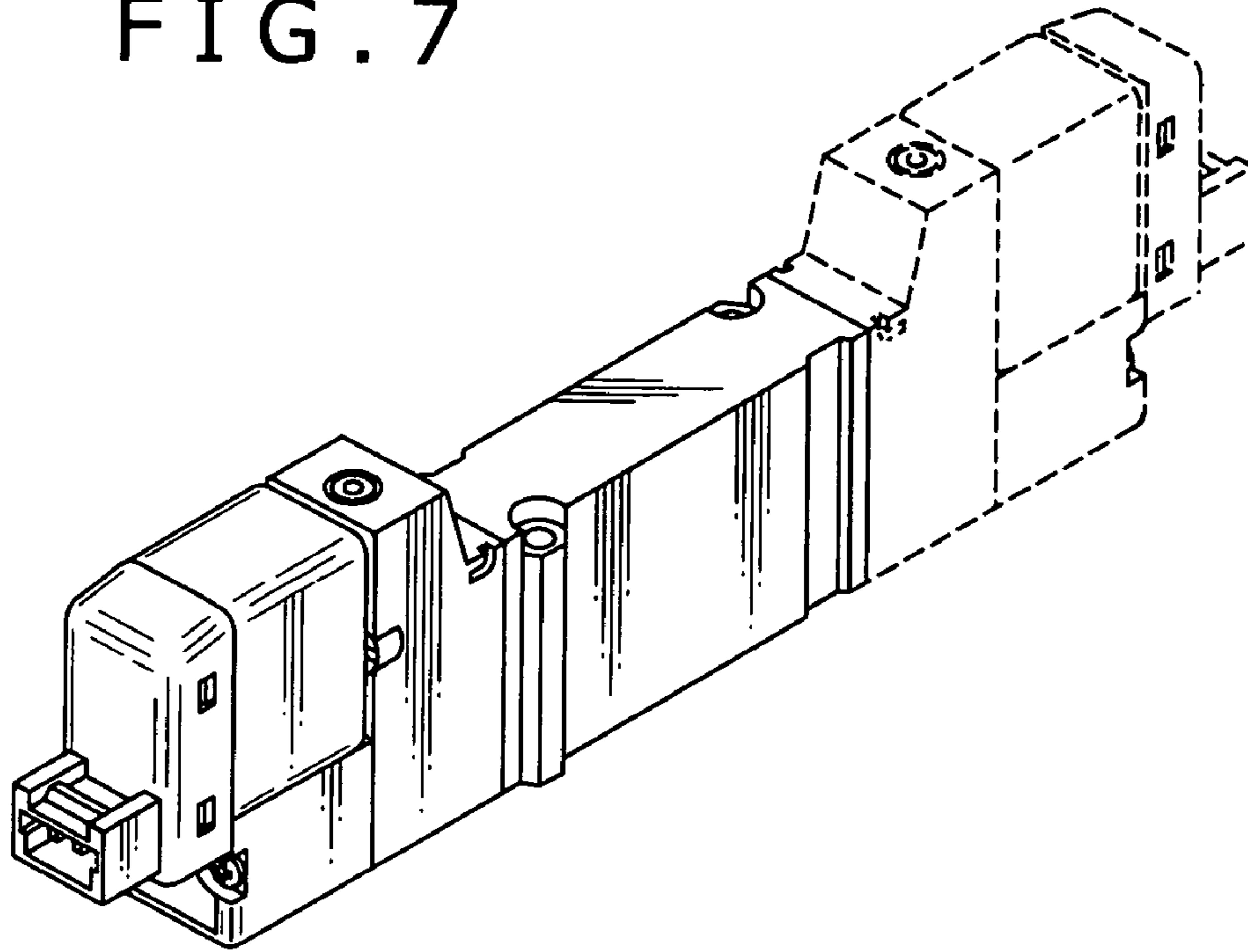


FIG. 8

