



US00D544574S

(12) **United States Design Patent**
Cummings

(10) **Patent No.:** **US D544,574 S**
(45) **Date of Patent:** **** Jun. 12, 2007**

(54) **VALVE CARTRIDGE FOR WATERLESS URINAL**

(75) Inventor: **Stephen John Cummings**, Newport (AU)

(73) Assignee: **Caroma Industries Limited**, Brisbane, Queensland (AU)

(**) Term: **14 Years**

(21) Appl. No.: **29/229,953**

(22) Filed: **May 13, 2005**

(30) **Foreign Application Priority Data**

Nov. 15, 2004 (AU) 15284/2004

(51) **LOC (8) Cl.** **23-01**

(52) **U.S. Cl.** **D23/233**

(58) **Field of Classification Search** D23/233-237, D23/244-249; 4/301, 310, 311, 679, 681; 251/343-345, 35; 137/454.2, 454.6, 489, 137/491, 493.7, 625.31, 247.25, 614.11, 614.18, 137/614.19, 625.17

See application file for complete search history.

(56) **References Cited**

U.S. PATENT DOCUMENTS

5,054,514 A * 10/1991 Valdes Marin 137/454.2

D427,286 S * 6/2000 Ballanco D23/235
D435,635 S * 12/2000 Taneya D23/233
D442,267 S * 5/2001 Kouda D23/262
6,701,541 B2 * 3/2004 Romagna et al. 4/301
D518,874 S * 4/2006 Takeda et al. D23/233
7,044,162 B2 * 5/2006 Bolgar et al. 137/625.17
7,069,945 B2 * 7/2006 Slawinski et al. 137/491
7,114,515 B2 * 10/2006 Sponheimer et al. 137/454.2

* cited by examiner

Primary Examiner—Ian Simmons

Assistant Examiner—Maurice Stevens

(74) *Attorney, Agent, or Firm*—Merchant & Gould P.C.

(57) **CLAIM**

The ornamental design for a valve cartridge for waterless urinal, as shown and described.

DESCRIPTION

FIG. 1. is a Left and Right Hand Side View showing my new design

FIG. 2. is a Top View thereof;

FIG. 3. is a Front and Rear View thereof; and,

FIG. 4. is a Bottom View.

1 Claim, 2 Drawing Sheets

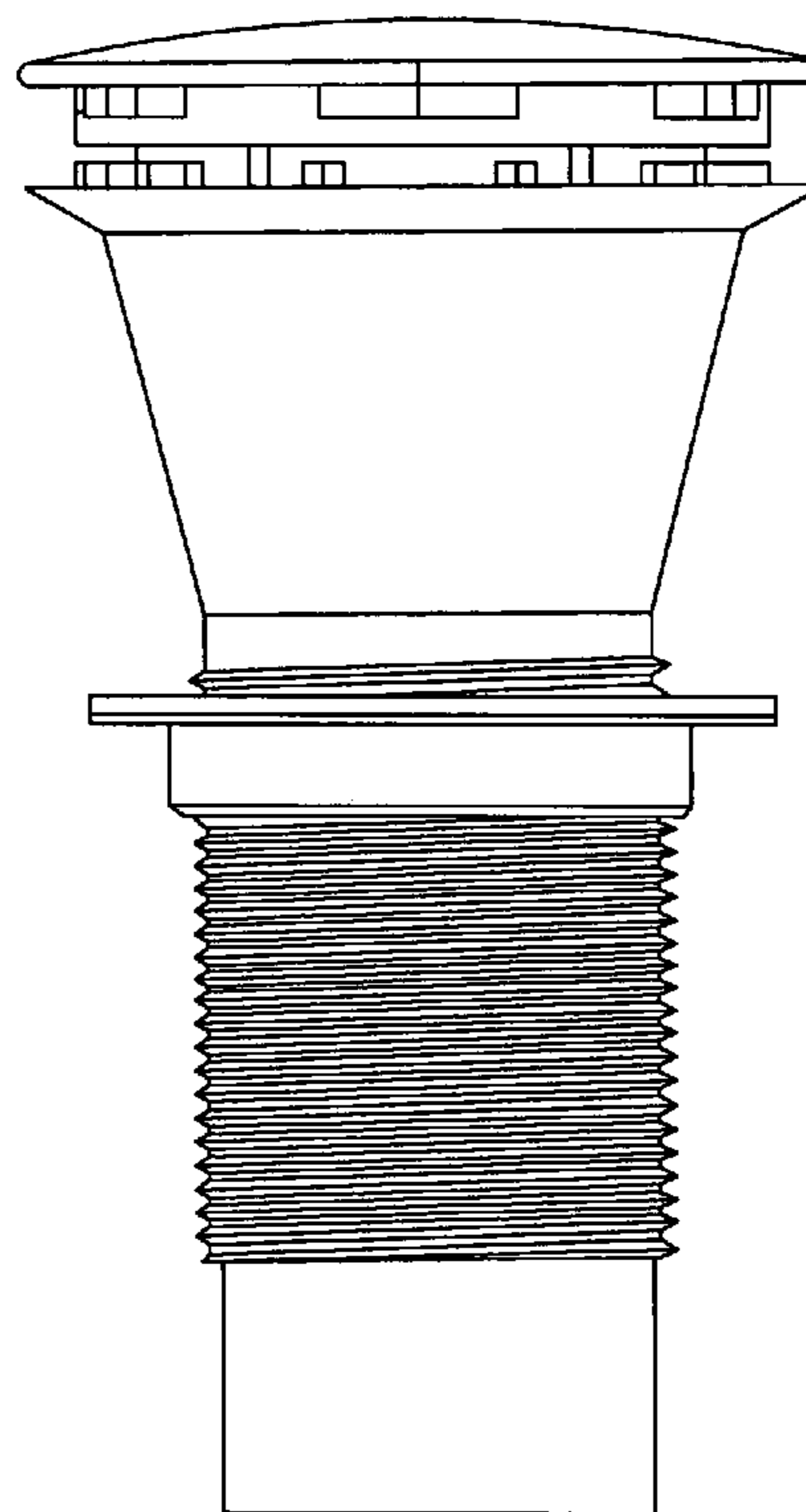
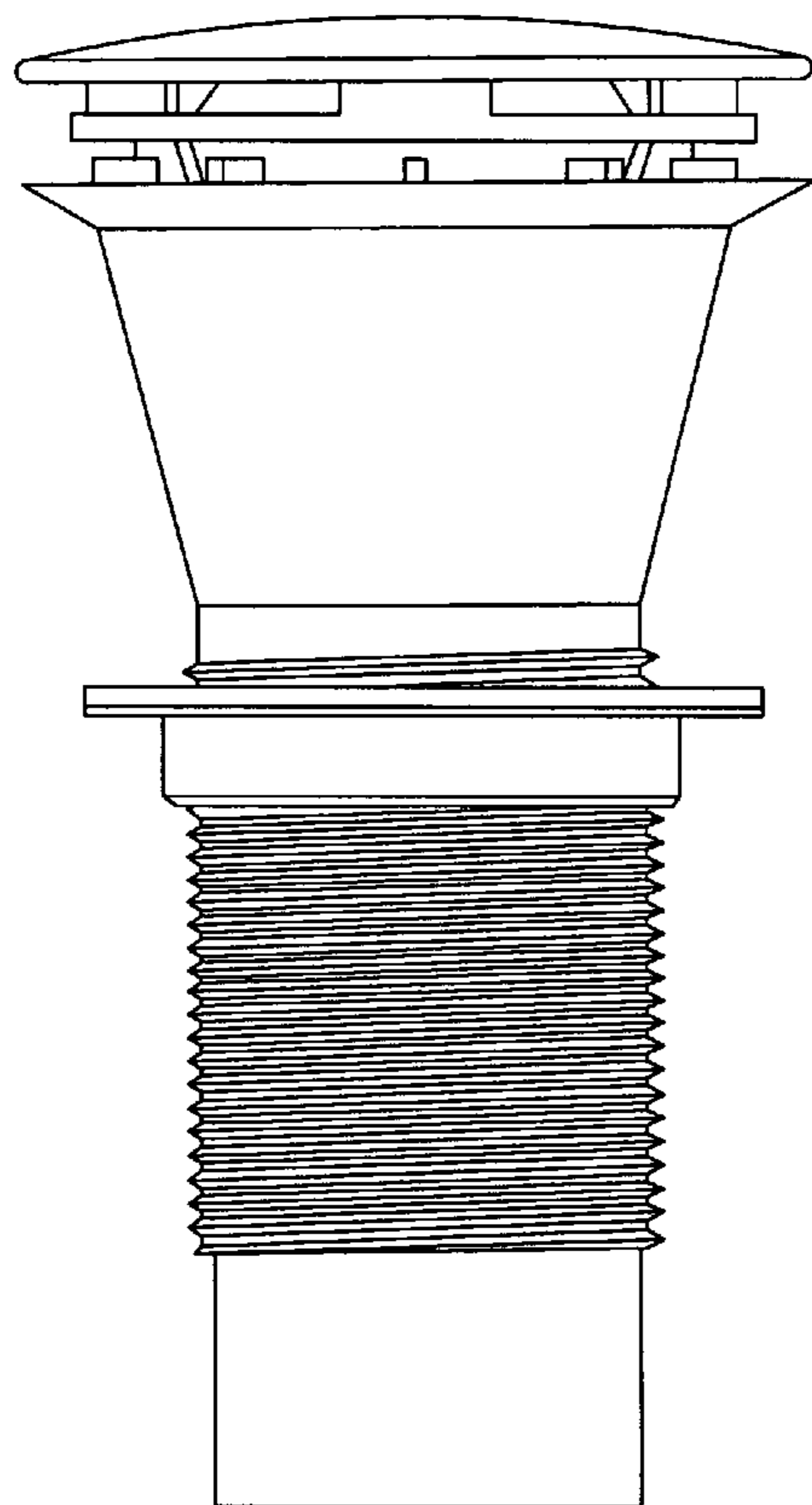


FIG. 1

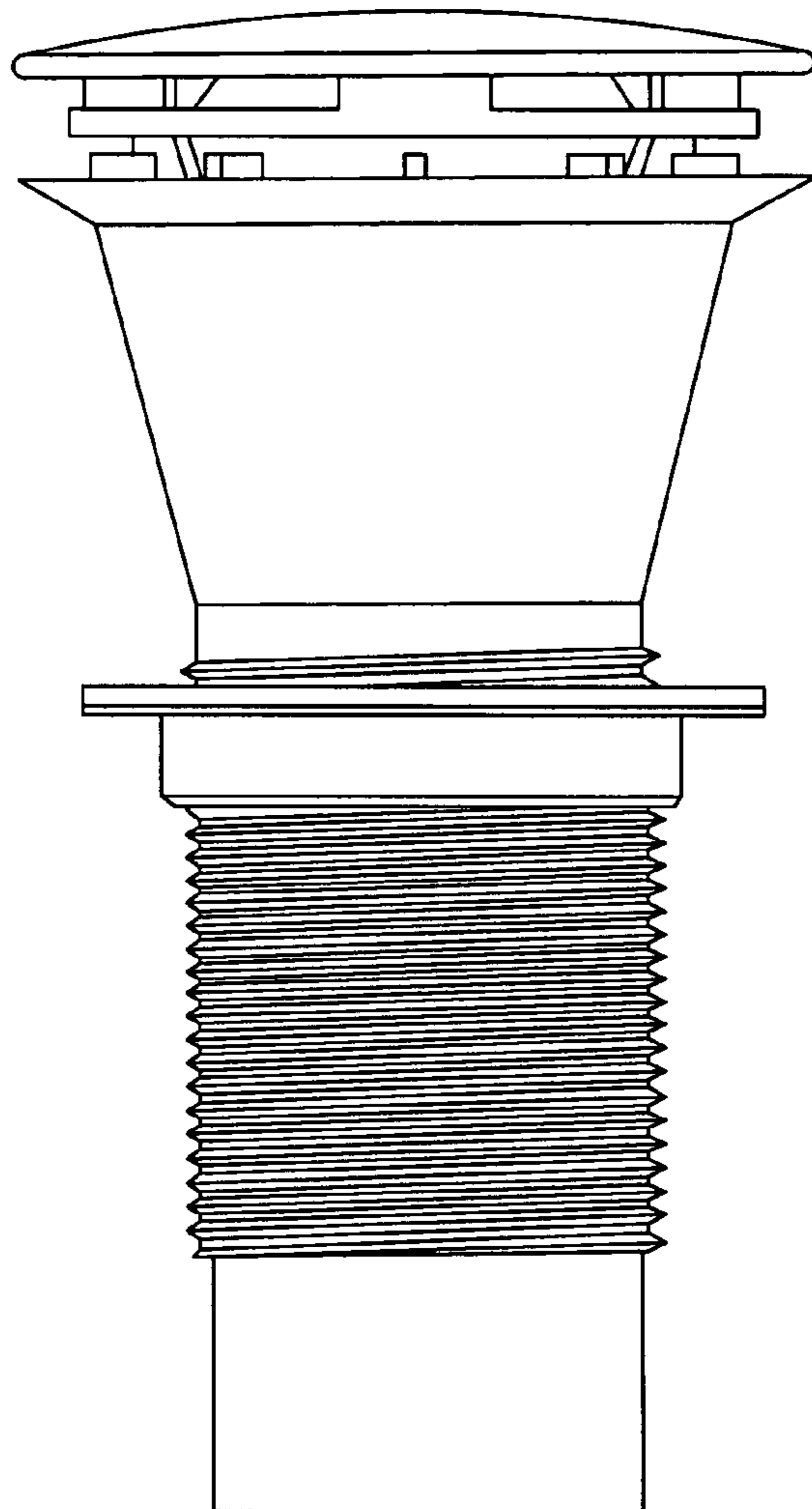


FIG. 4

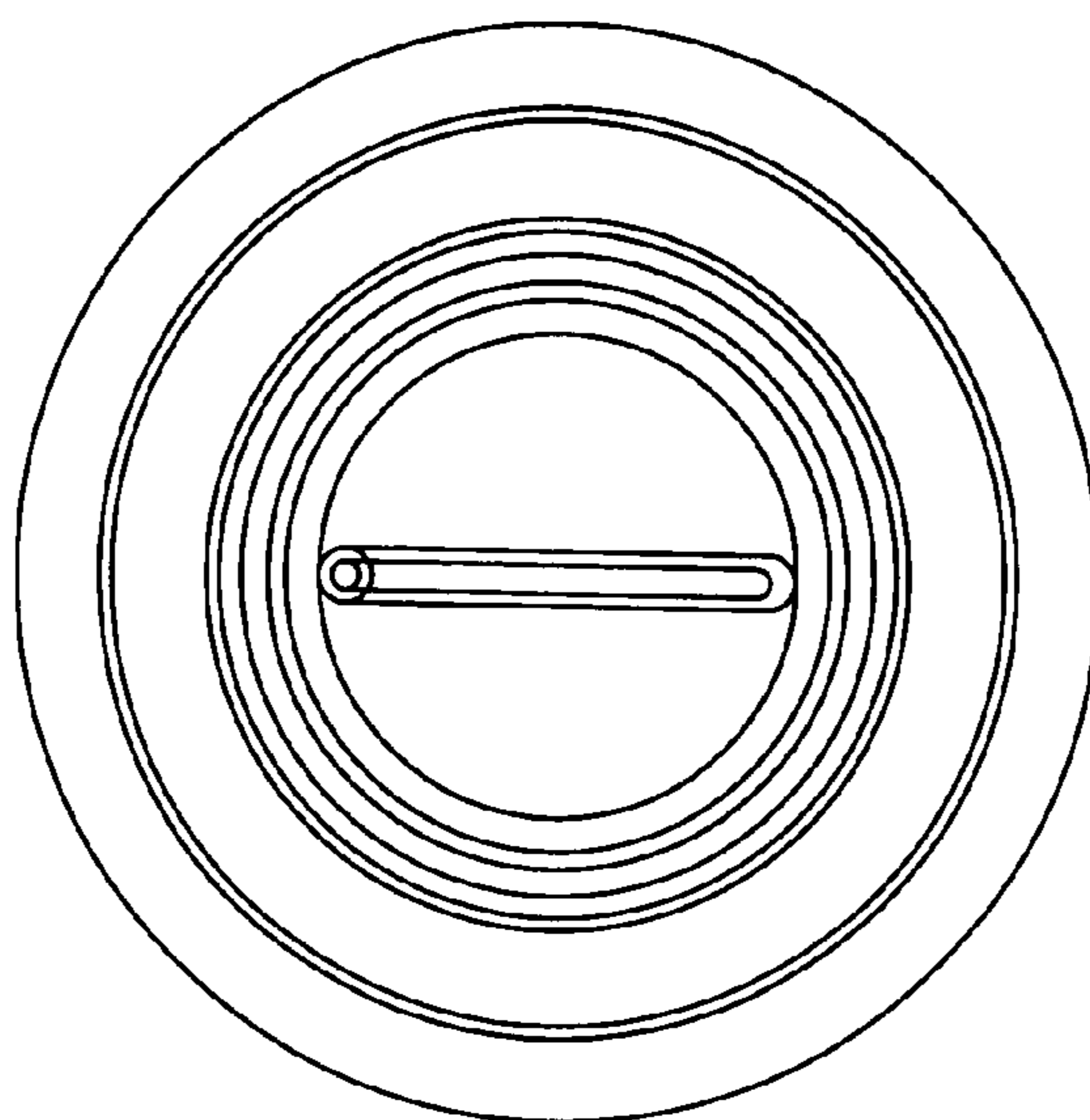


FIG. 2

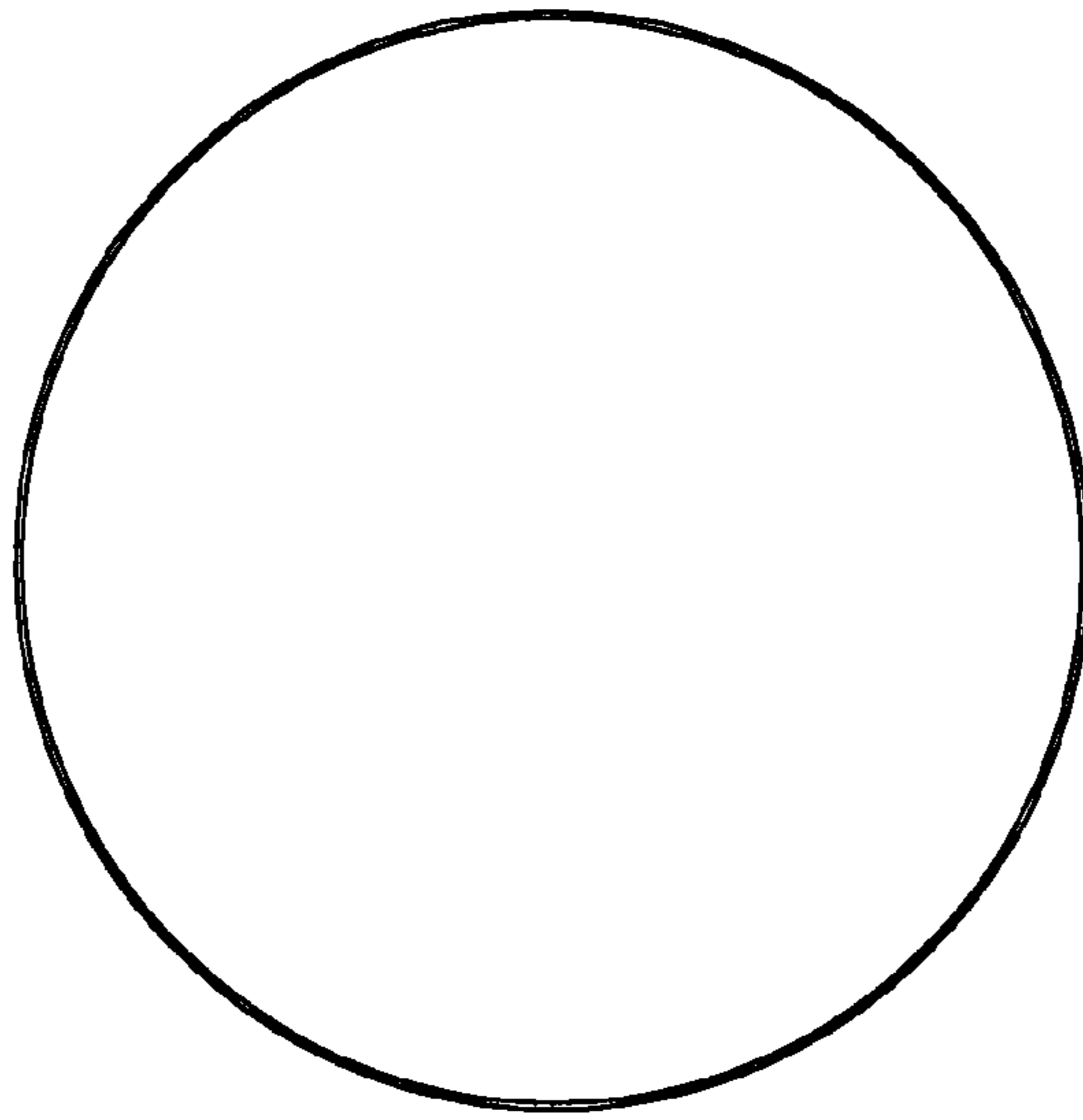


FIG. 3

