

US00D544569S

(12) **United States Design Patent**  
**Franson et al.**

(10) **Patent No.:** **US D544,569 S**  
(45) **Date of Patent:** **\*\* Jun. 12, 2007**

(54) **FLOW SHAPER FOR SPRINKLER ASSEMBLY**

(75) Inventors: **Scott T. Franson**, Hastings, MI (US);  
**Thomas E. Winebrenner**, Hastings, MI (US);  
**Shawn G. Orr**, Grand Rapids, MI (US)

(73) Assignee: **The Viking Corporation**, Hastings, MI (US)

(\*\*) Term: **14 Years**

(21) Appl. No.: **29/257,198**

(22) Filed: **Mar. 30, 2006**

(51) **LOC (8) Cl.** ..... **23-01**

(52) **U.S. Cl.** ..... **D23/214**

(58) **Field of Classification Search** ..... D23/213,  
D23/214; 239/502; 169/37-39  
See application file for complete search history.

(56) **References Cited**

**U.S. PATENT DOCUMENTS**

990,780 A 4/1911 Rockwood  
1,273,818 A \* 7/1918 Buffum ..... 169/39

3,599,723 A \* 8/1971 Vorkapich ..... 169/39  
D253,364 S \* 11/1979 McFadden ..... D23/214  
D287,992 S \* 1/1987 McLennan et al. .... D23/214  
D303,138 S \* 8/1989 Smith ..... D23/214  
D516,669 S \* 3/2006 Antonucci et al. .... D23/214

\* cited by examiner

*Primary Examiner*—Robin Webster

(74) *Attorney, Agent, or Firm*—Harness, Dickey & Pierce, P.L.C.

(57) **CLAIM**

The ornamental design for a flow shaper for a sprinkler assembly, as shown and described.

**DESCRIPTION**

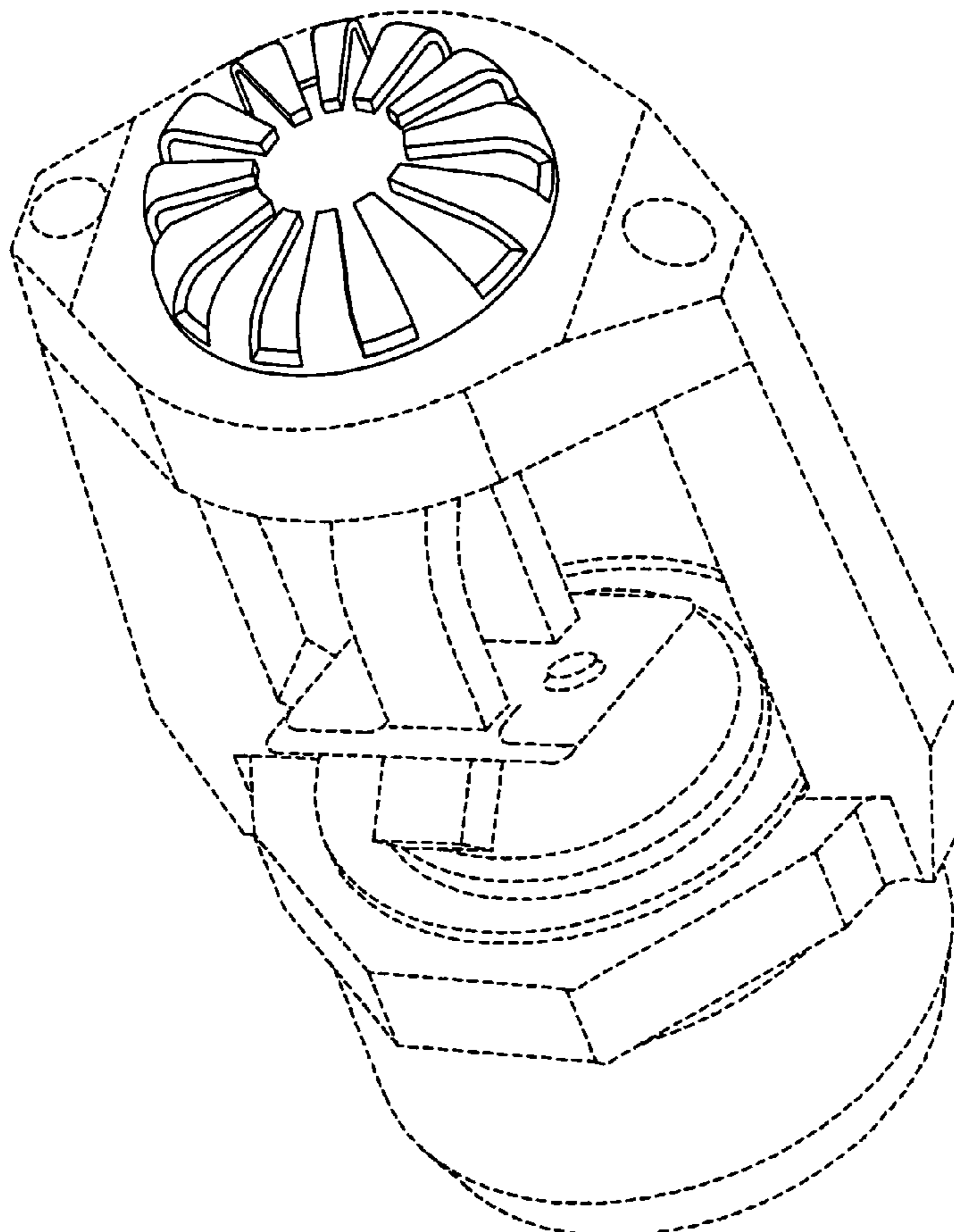
FIG. 1 is a perspective view of a flow shaper for sprinkler assembly;

FIG. 2 is a top plan view thereof; and,

FIG. 3 is a front view thereof (the back and side views being identical to the front).

The lines shown in phantom are for illustrative purposes only and do not form part of the invention.

**1 Claim, 2 Drawing Sheets**



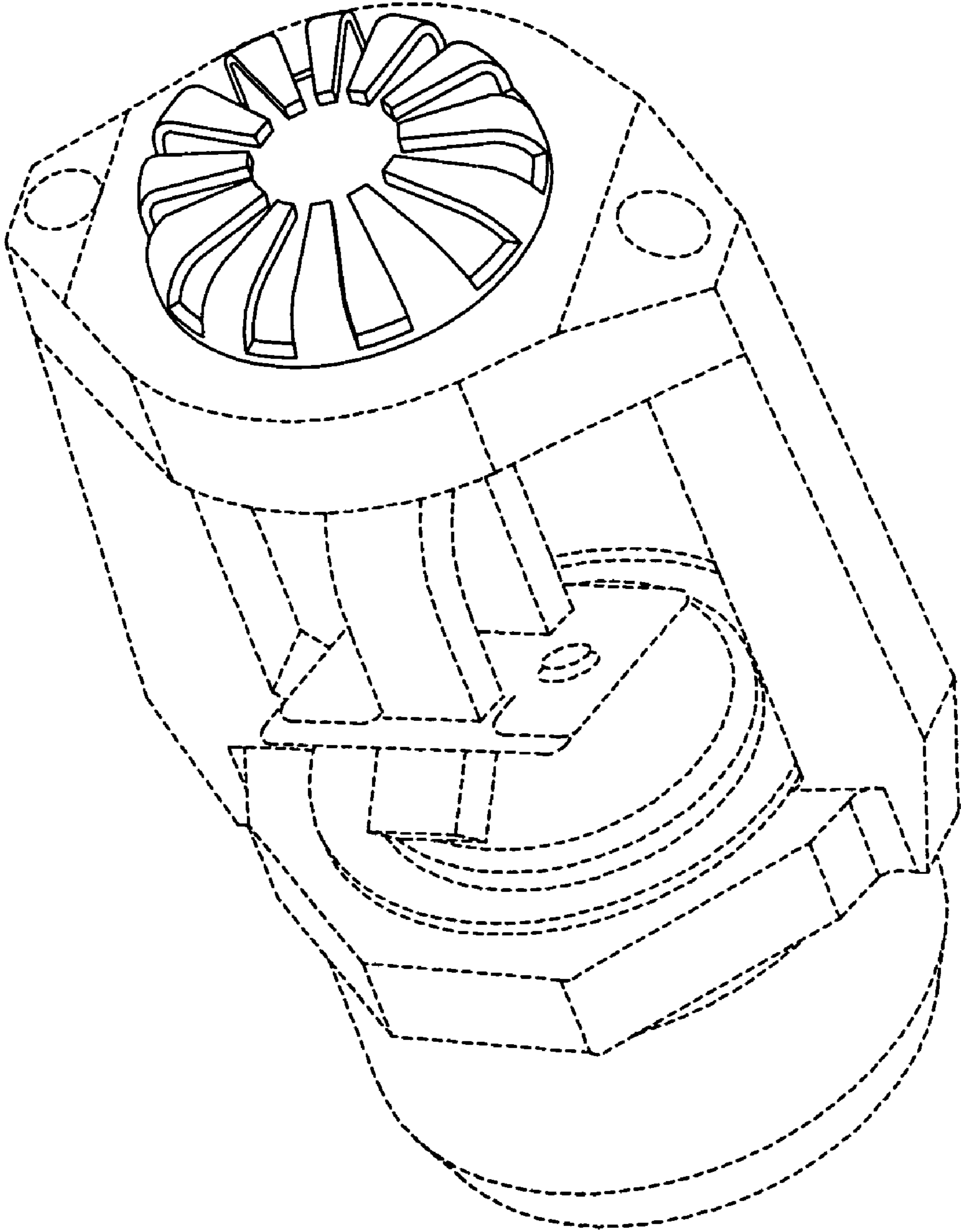


FIG 1

FIG 2

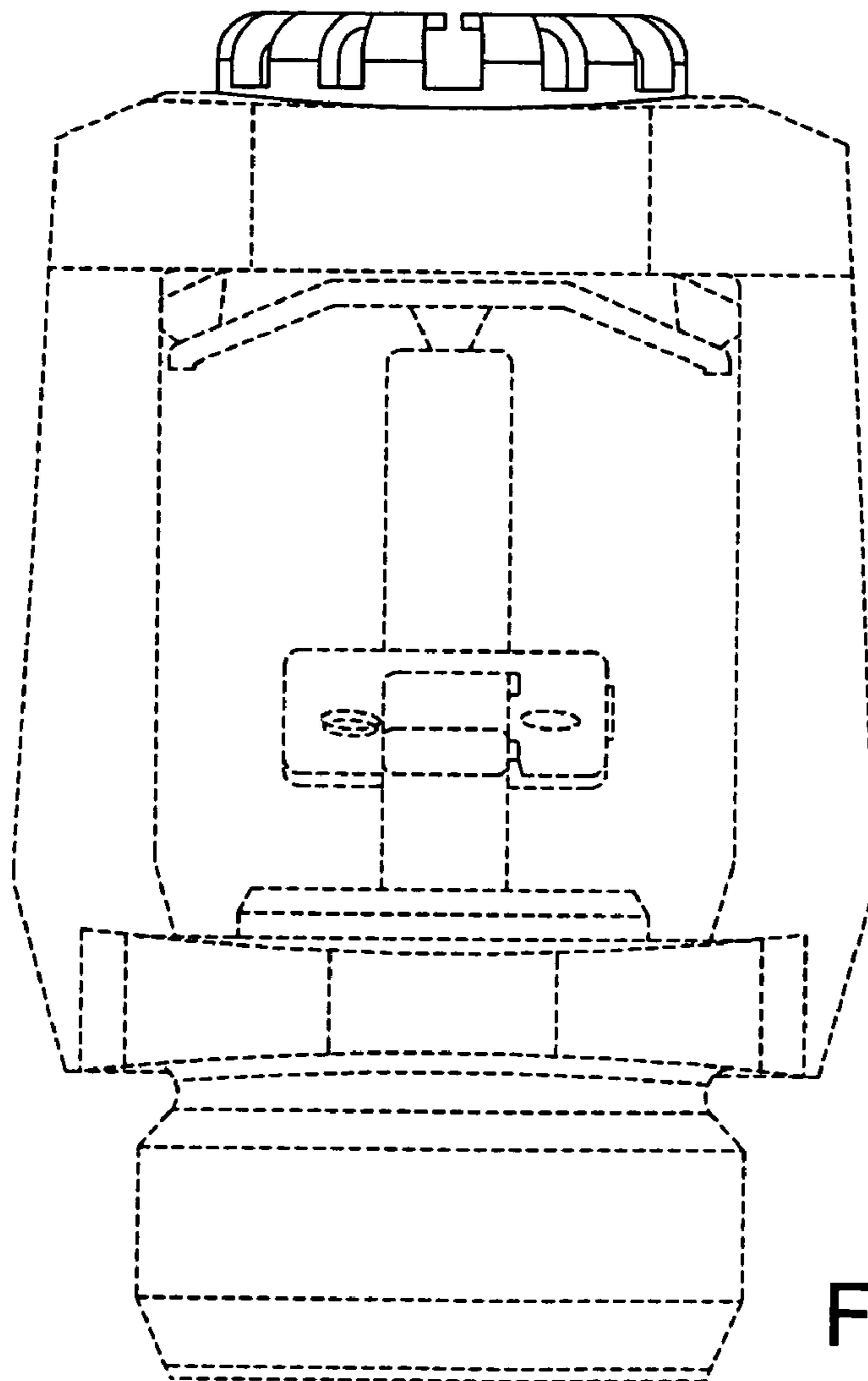
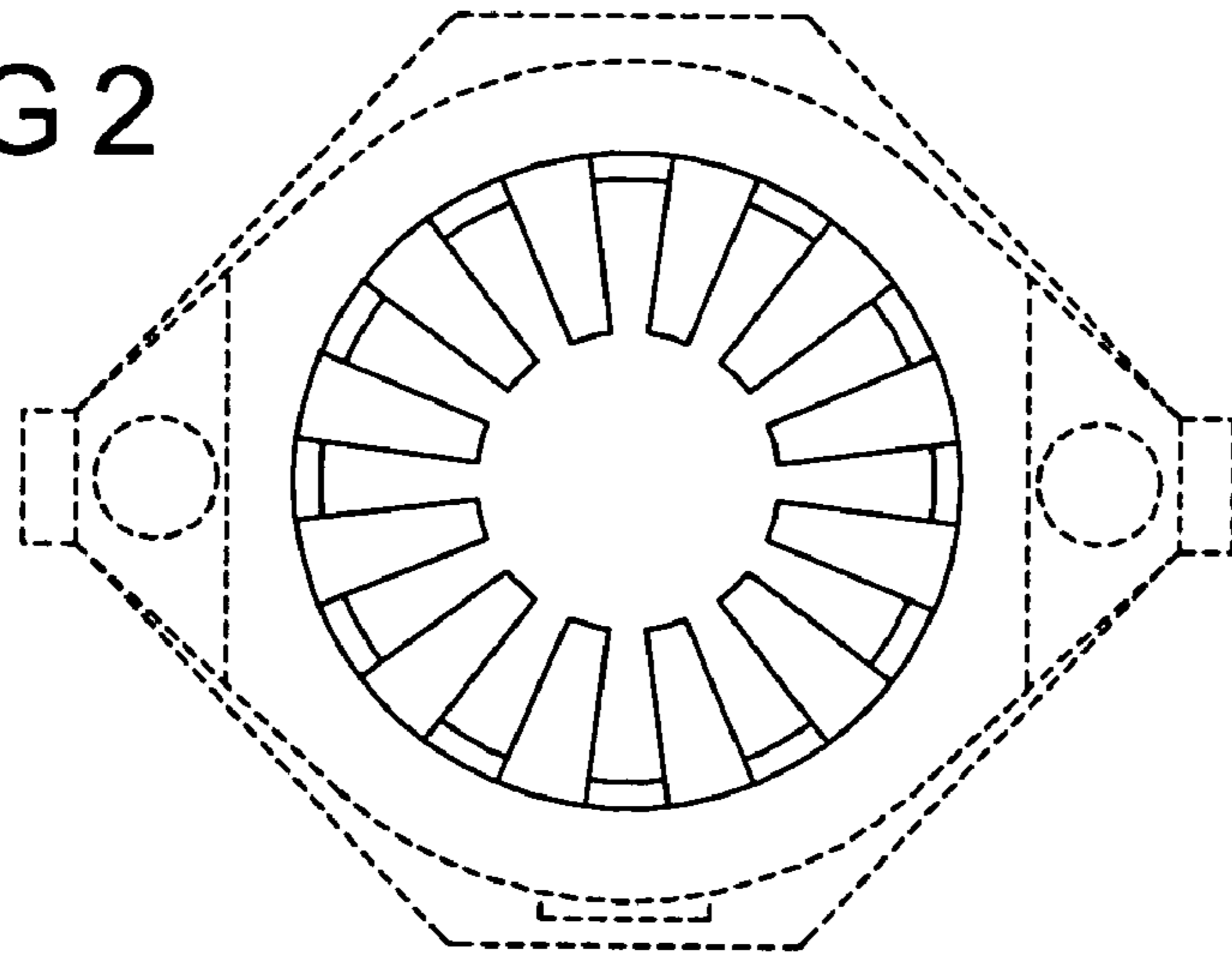


FIG 3