



US00D544566S

(12) **United States Design Patent**
Lin

(10) **Patent No.:** **US D544,566 S**
(45) **Date of Patent:** **** Jun. 12, 2007**

(54) **INSECT-CATCHER**

D443,913 S * 6/2001 Aiello D22/123
D459,428 S * 6/2002 Johnson et al. D22/119

(75) Inventor: **Heng-Yuan Lin**, Banciao (TW)

* cited by examiner

(73) Assignee: **Well Electronics Co., Ltd.**, Taipei
Hsien (TW)

Primary Examiner—Catherine R. Oliver
(74) *Attorney, Agent, or Firm*—Rabin & Berdo, P.C.

(**) Term: **14 Years**

(57) **CLAIM**

(21) Appl. No.: **29/265,844**

The ornamental design for an insect-catcher, as shown.

(22) Filed: **Sep. 11, 2006**

DESCRIPTION

(51) **LOC (8) Cl.** **22-05**

FIG. 1 is a perspective view of an insect-catcher showing my new design;

(52) **U.S. Cl.** **D22/122**

FIG. 2 is a front view thereof;

(58) **Field of Classification Search** D22/119–124;
43/63–66, 107, 114, 124–125, 110, 131, 132.1
See application file for complete search history.

FIG. 3 is a rear view thereof;

FIG. 4 is a left side view thereof;

FIG. 5 is a right side view thereof;

FIG. 6 is a top view thereof; and,

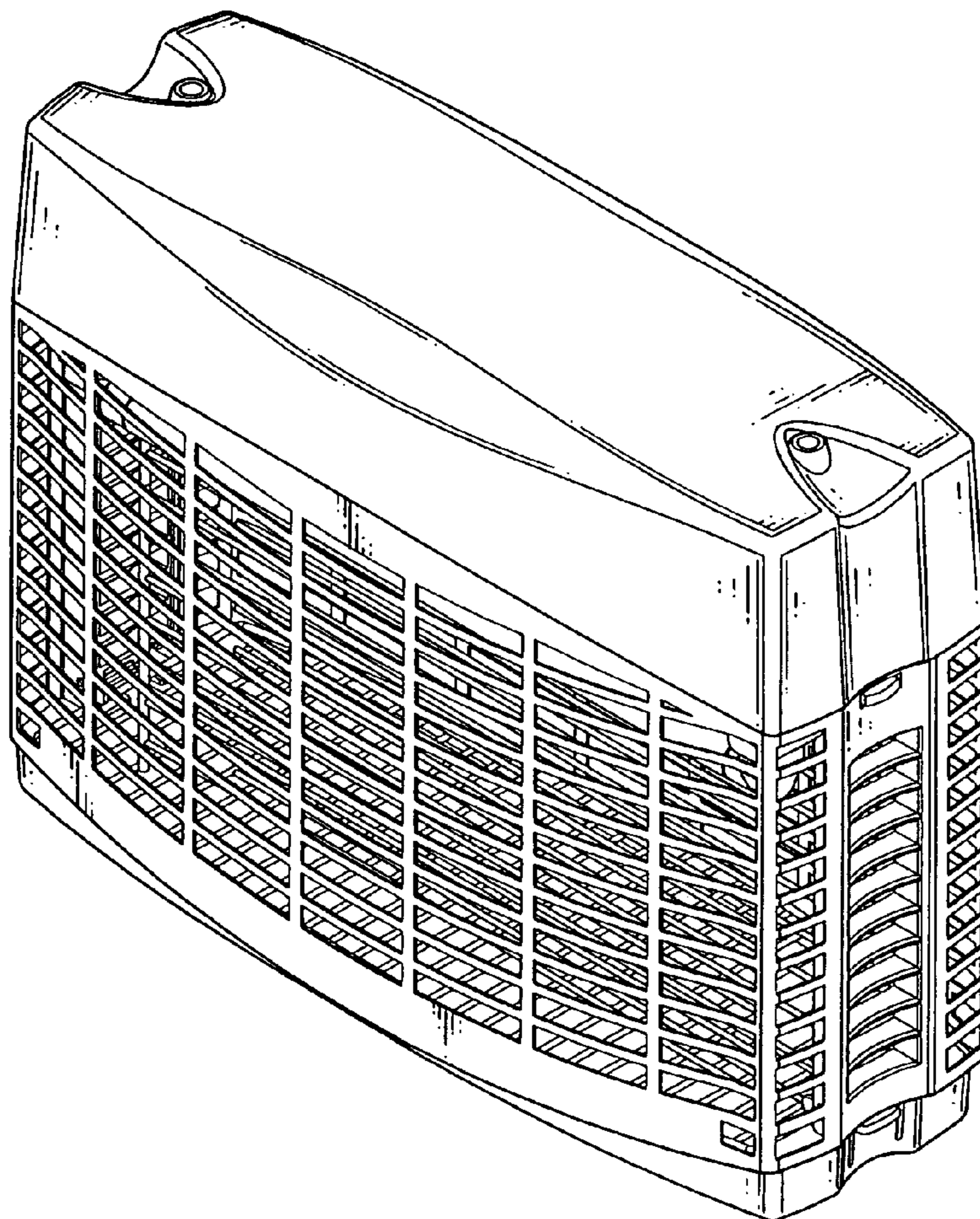
FIG. 7 is a bottom, view thereof.

(56) **References Cited**

U.S. PATENT DOCUMENTS

D302,840 S * 8/1989 den Braber D22/123
D323,015 S * 1/1992 Brookshire D22/123
D374,056 S * 9/1996 Demarest et al. D22/122

1 Claim, 5 Drawing Sheets



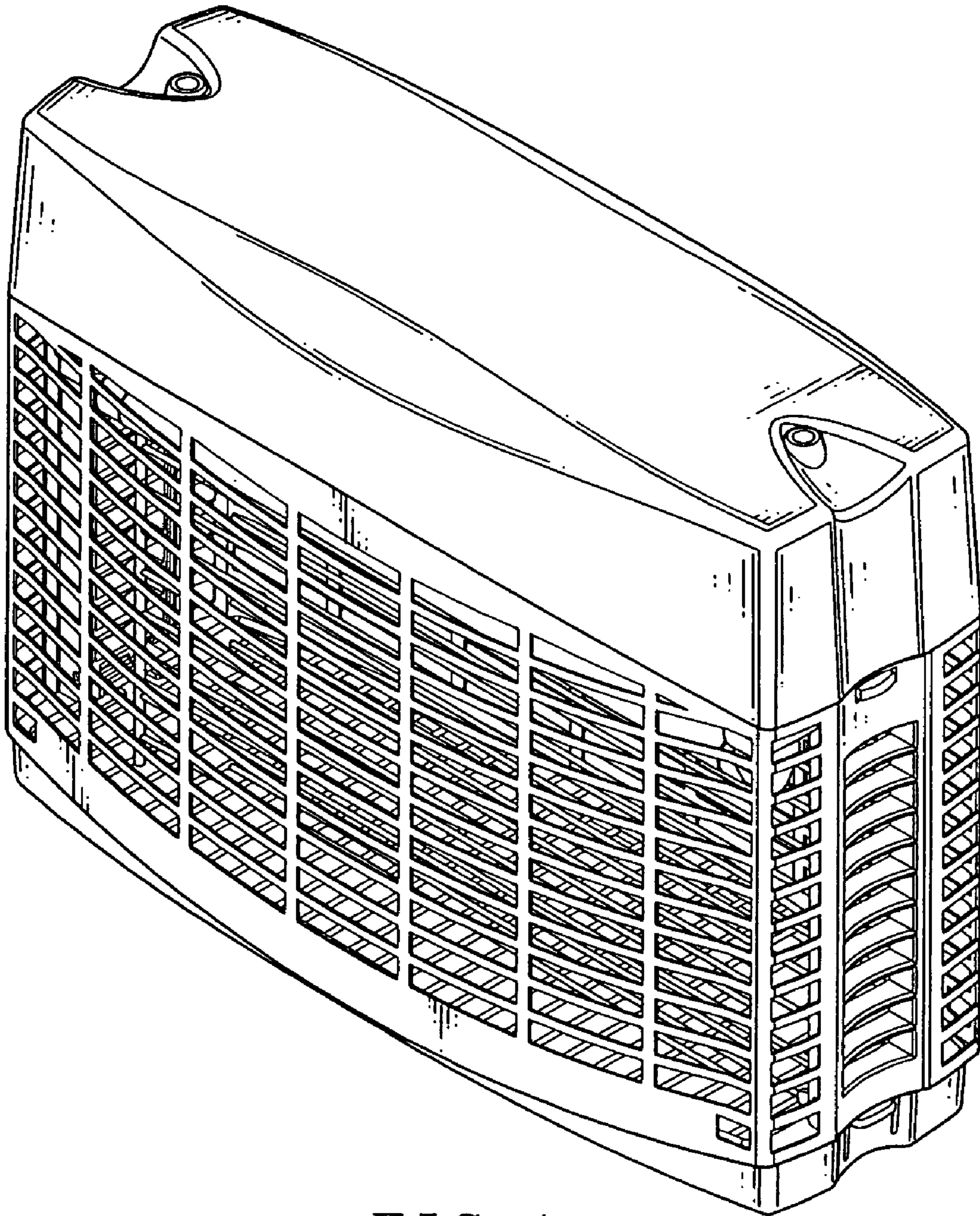


FIG. 1

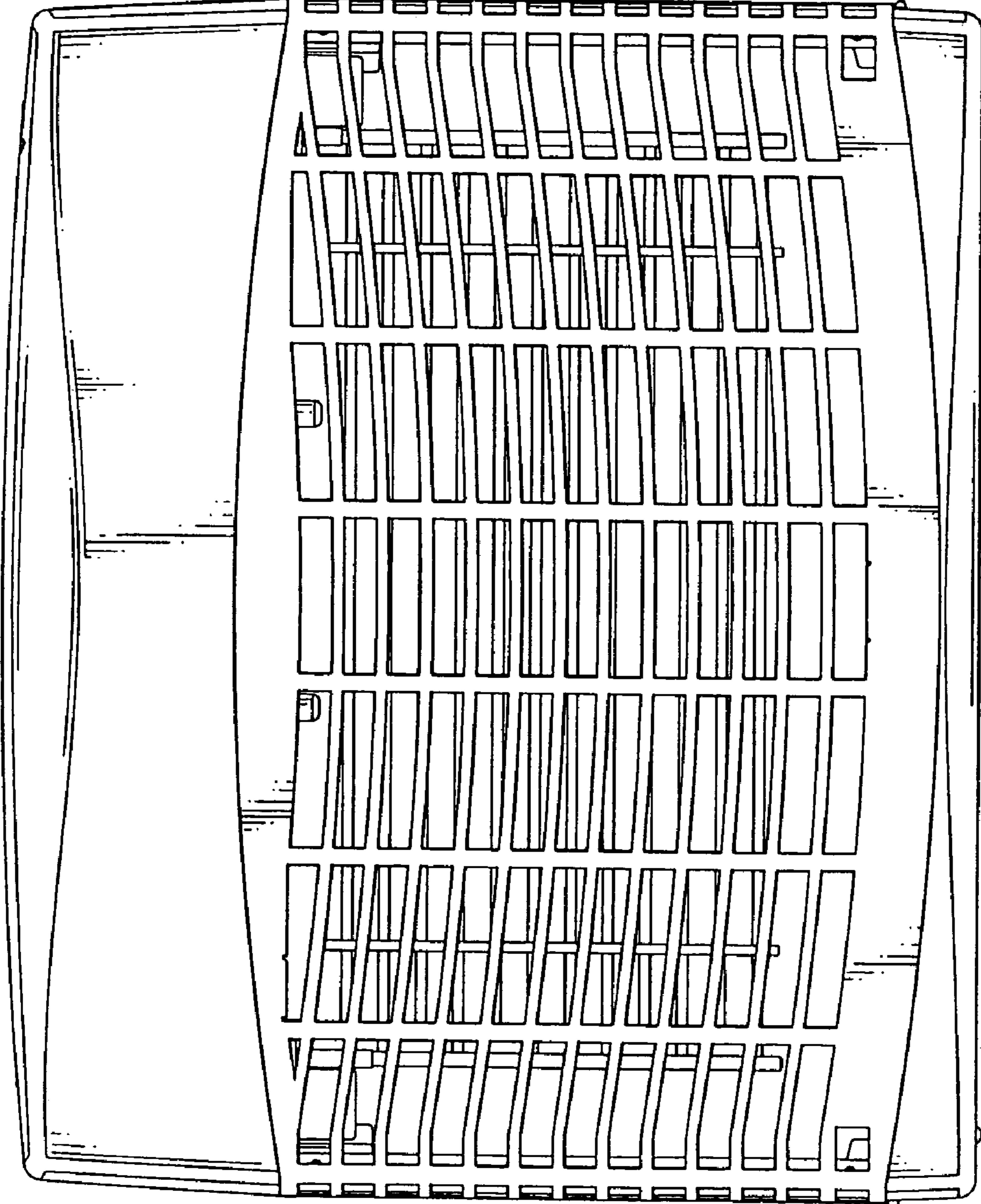


FIG. 2

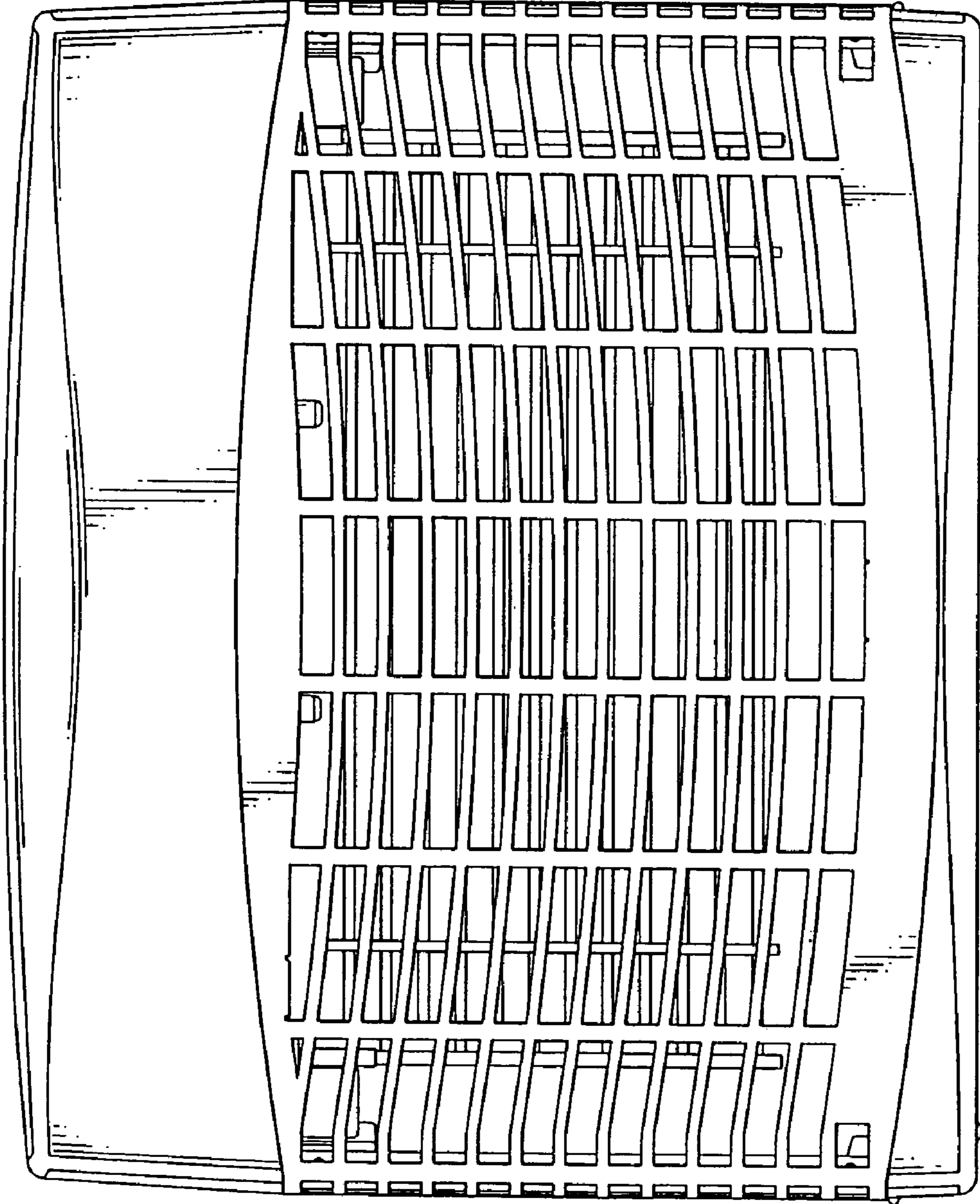


FIG. 3

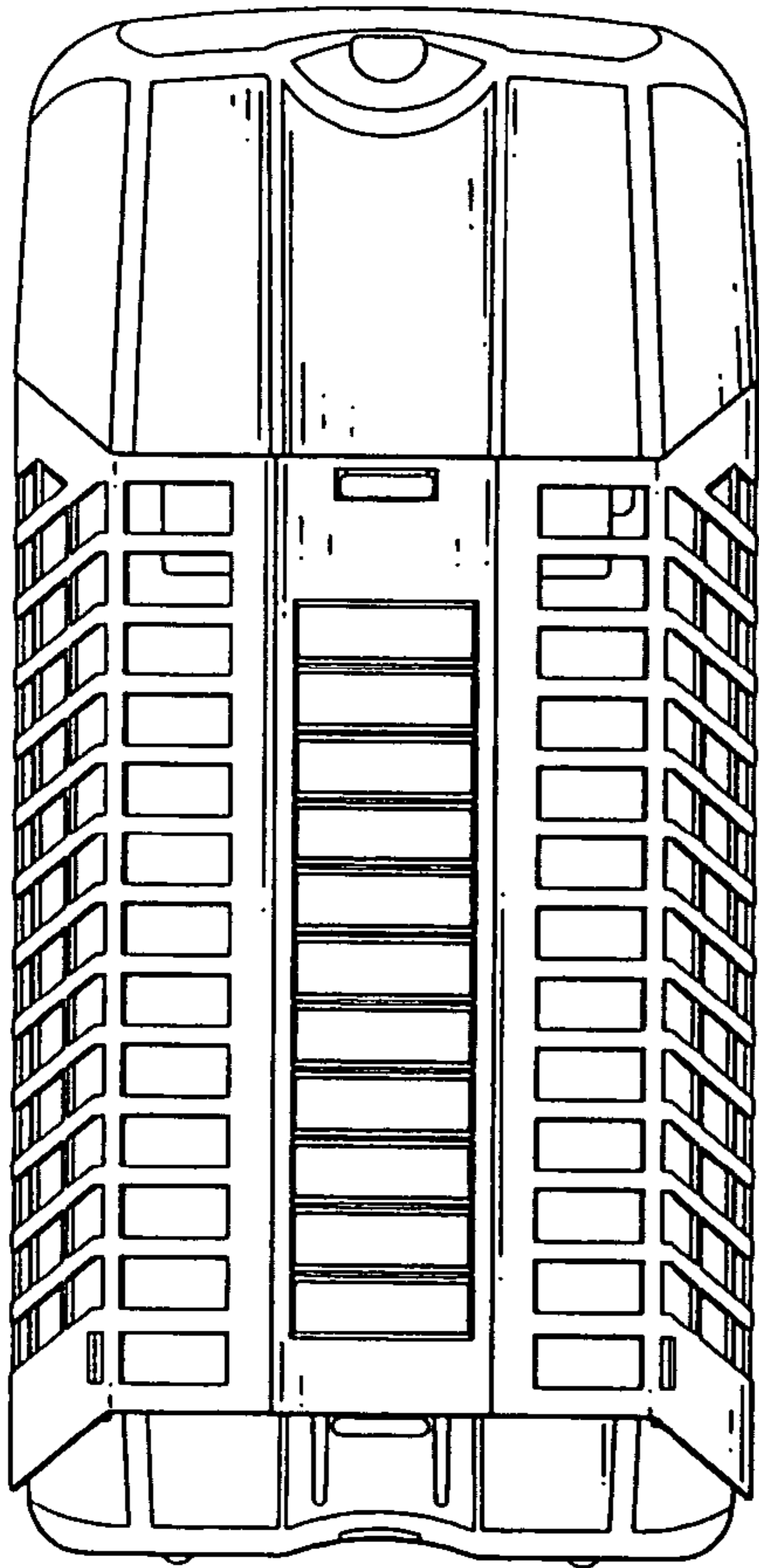


FIG. 4

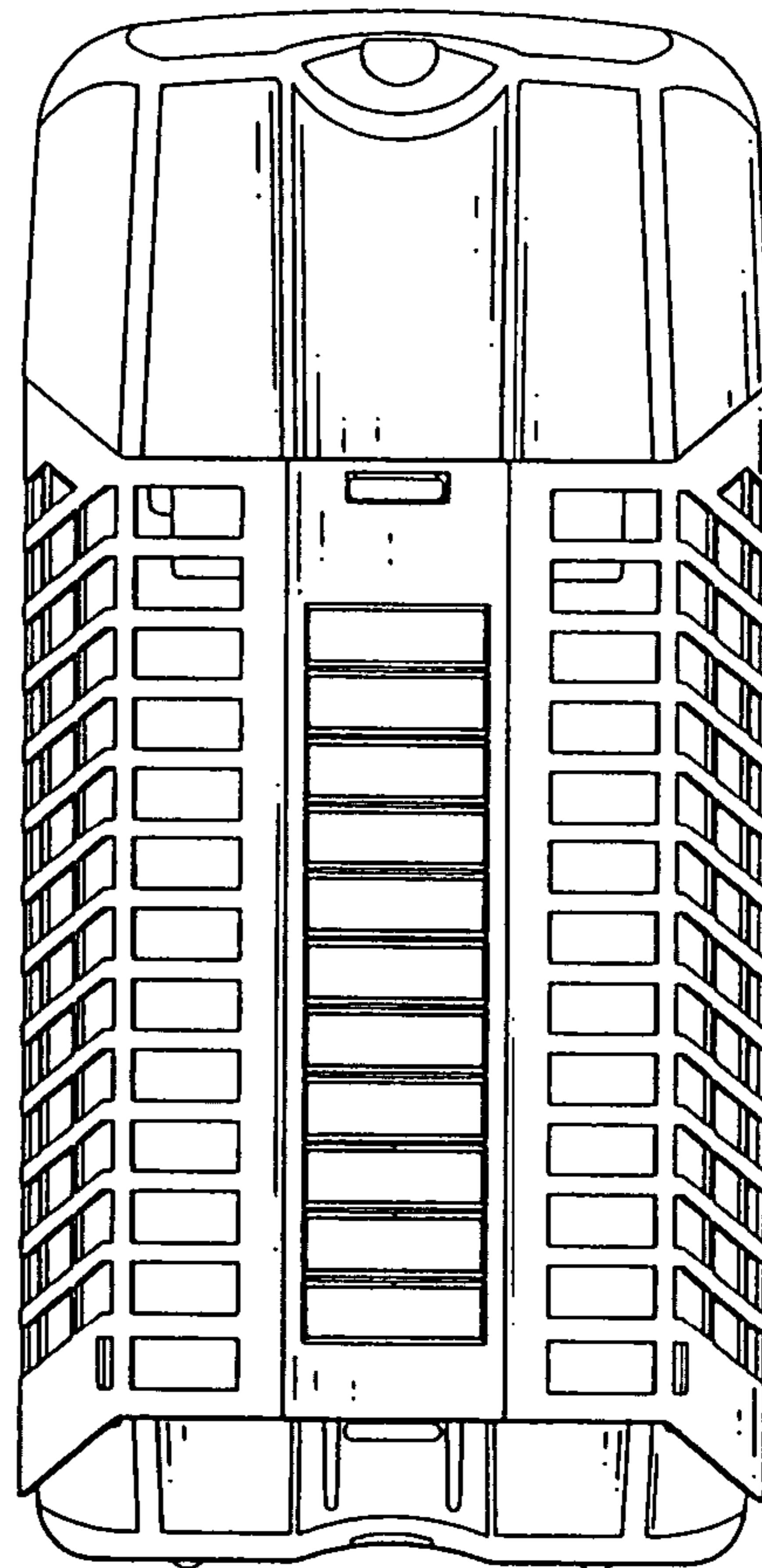


FIG. 5

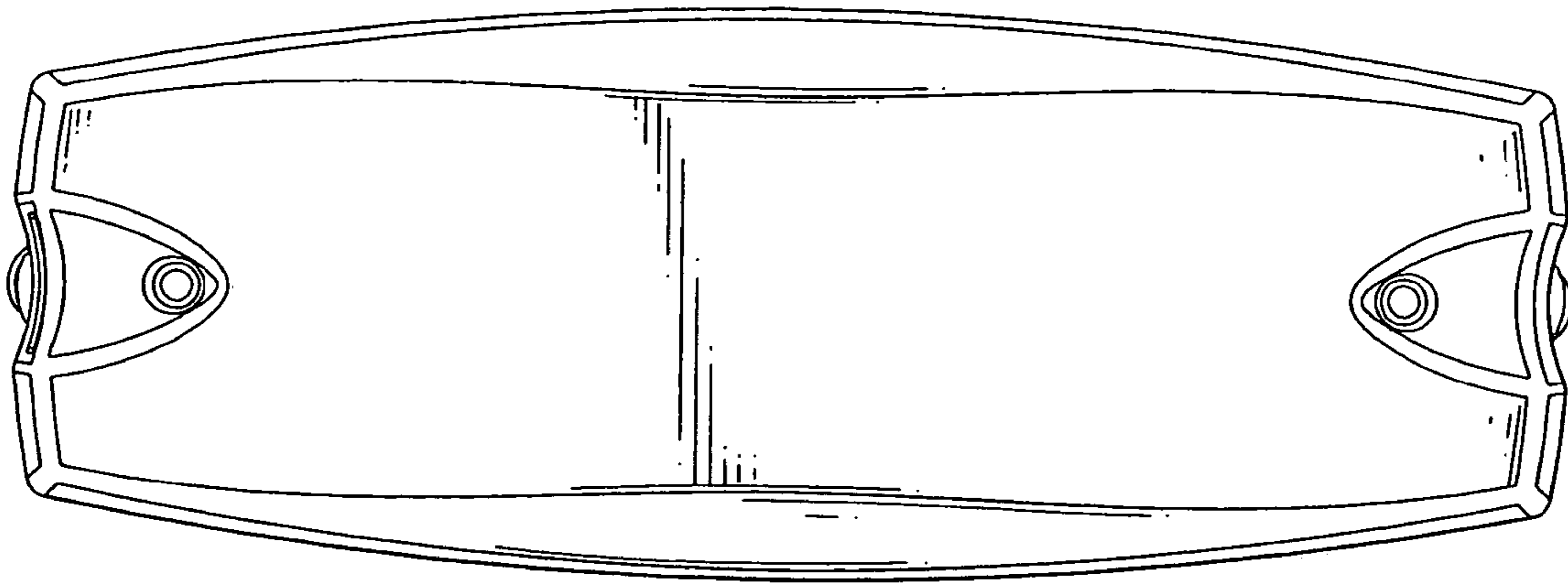


FIG. 6

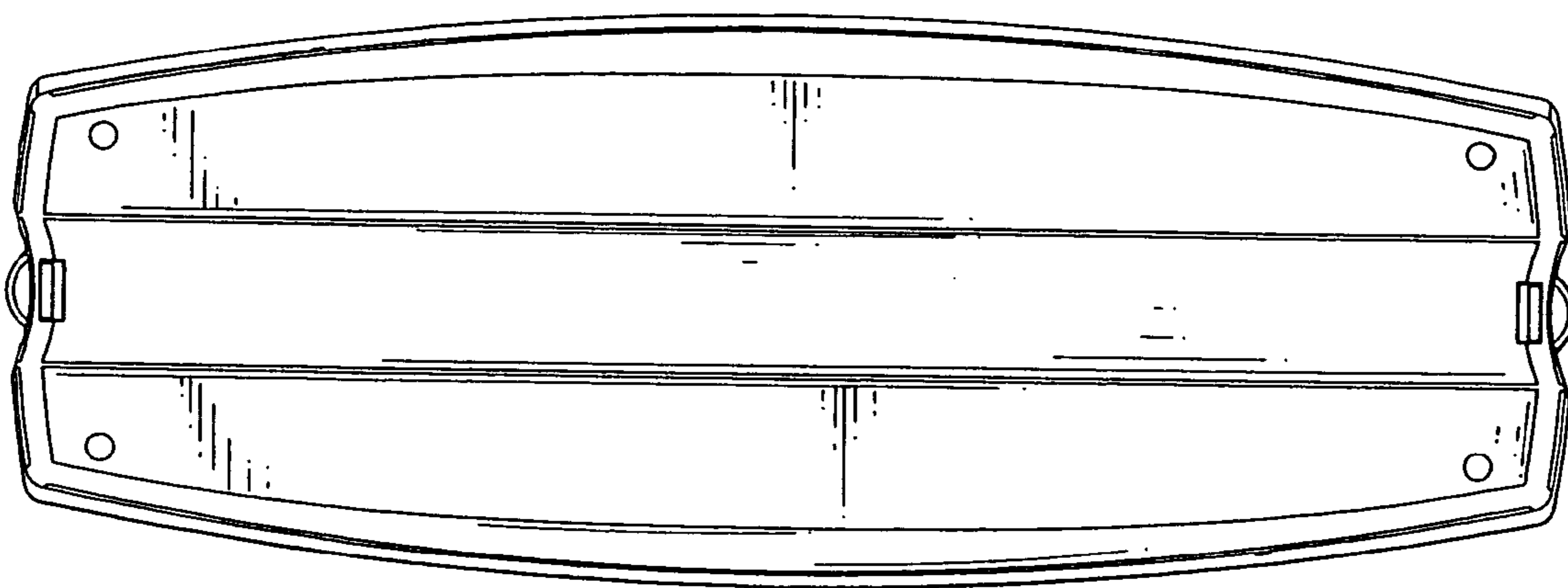


FIG. 7