

US00D544565S

(12) **United States Design Patent**
Campbell et al.

(10) **Patent No.:** **US D544,565 S**

(45) **Date of Patent:** **** Jun. 12, 2007**

(54) **RIFLE FRONT SIGHT MOUNT**

2004/0035991 A1* 2/2004 Wooten et al. 42/124

(76) Inventors: **Wayne E. Campbell**, 9168 S. State
Road 9, Flat Rock, IN (US) 47234;
Thomas P. O'Connor, 379 W.
Broadway, Shelbyville, IN (US) 46176

* cited by examiner

Primary Examiner—Ian Simmons
Assistant Examiner—Melanie Levy
(74) *Attorney, Agent, or Firm*—Woodard, Emhardt,
Moriarty, McNett & Henry LLP

(**) Term: **14 Years**

(21) Appl. No.: **29/247,478**

(57) **CLAIM**

(22) Filed: **Jun. 21, 2006**

The ornamental design for a rifle front sight mount, as shown and described.

(51) **LOC (8) Cl.** **22-01**

(52) **U.S. Cl.** **D22/110**

(58) **Field of Classification Search** D22/100,
D22/108, 109, 110; 33/245–250; 42/100,
42/101, 103; 362/110, 113, 114
See application file for complete search history.

DESCRIPTION

FIG. 1 is a front view of the mount incorporating my new design.

FIG. 2 is a right side view.

FIG. 3 is a left side view.

FIG. 4 is a top view.

FIG. 5 is a bottom view.

FIG. 6 is a rear view.

FIG. 7 is a perspective view.

FIG. 8 is a view of the mount in a collapsed condition; and,

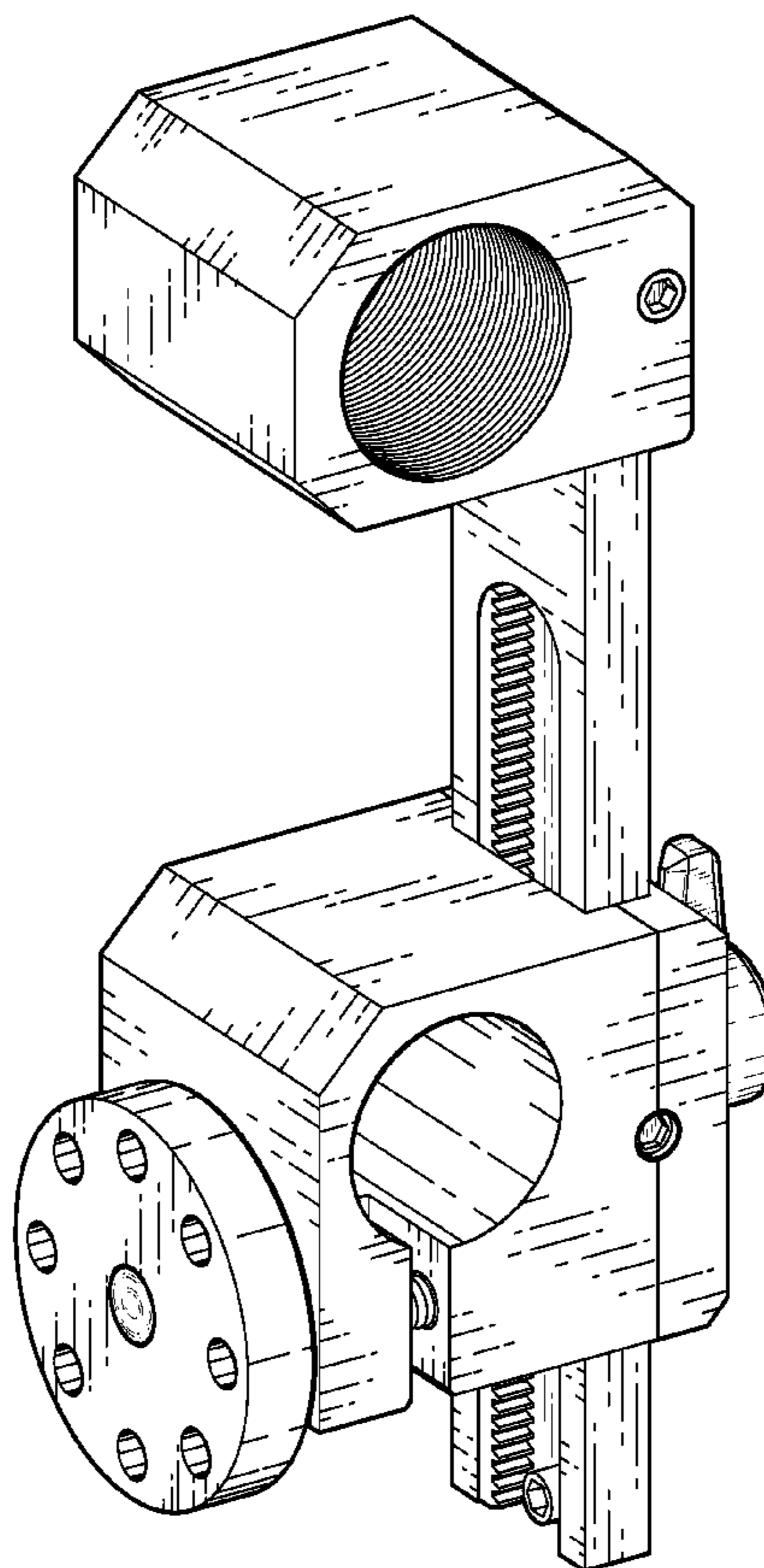
FIG. 9 is a view of the mount in an extended position.

(56) **References Cited**

U.S. PATENT DOCUMENTS

2,546,242	A *	3/1951	Stinson	42/146
D250,271	S *	11/1978	Williams	D22/110
D259,204	S *	5/1981	Weast	D22/110
D270,748	S *	9/1983	Bechtel	D22/110
D414,835	S *	10/1999	Otteman et al.	D22/108
D444,531	S *	7/2001	Squillante et al.	D22/110
D483,650	S *	12/2003	Squillante et al.	D8/349
D502,245	S *	2/2005	Fell et al.	D22/110

1 Claim, 7 Drawing Sheets



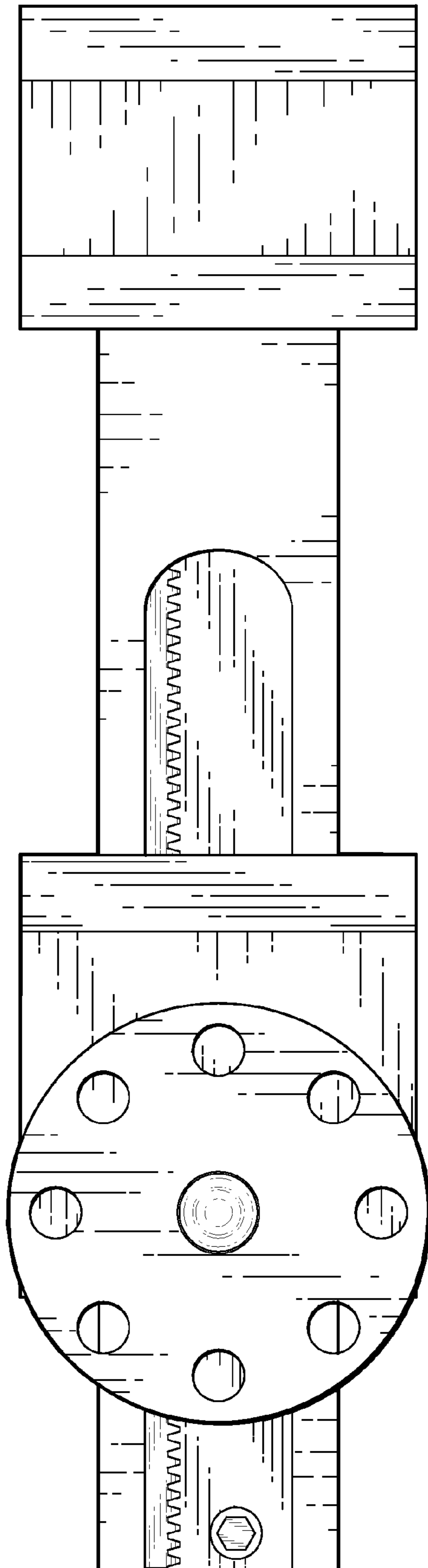


Fig. 1

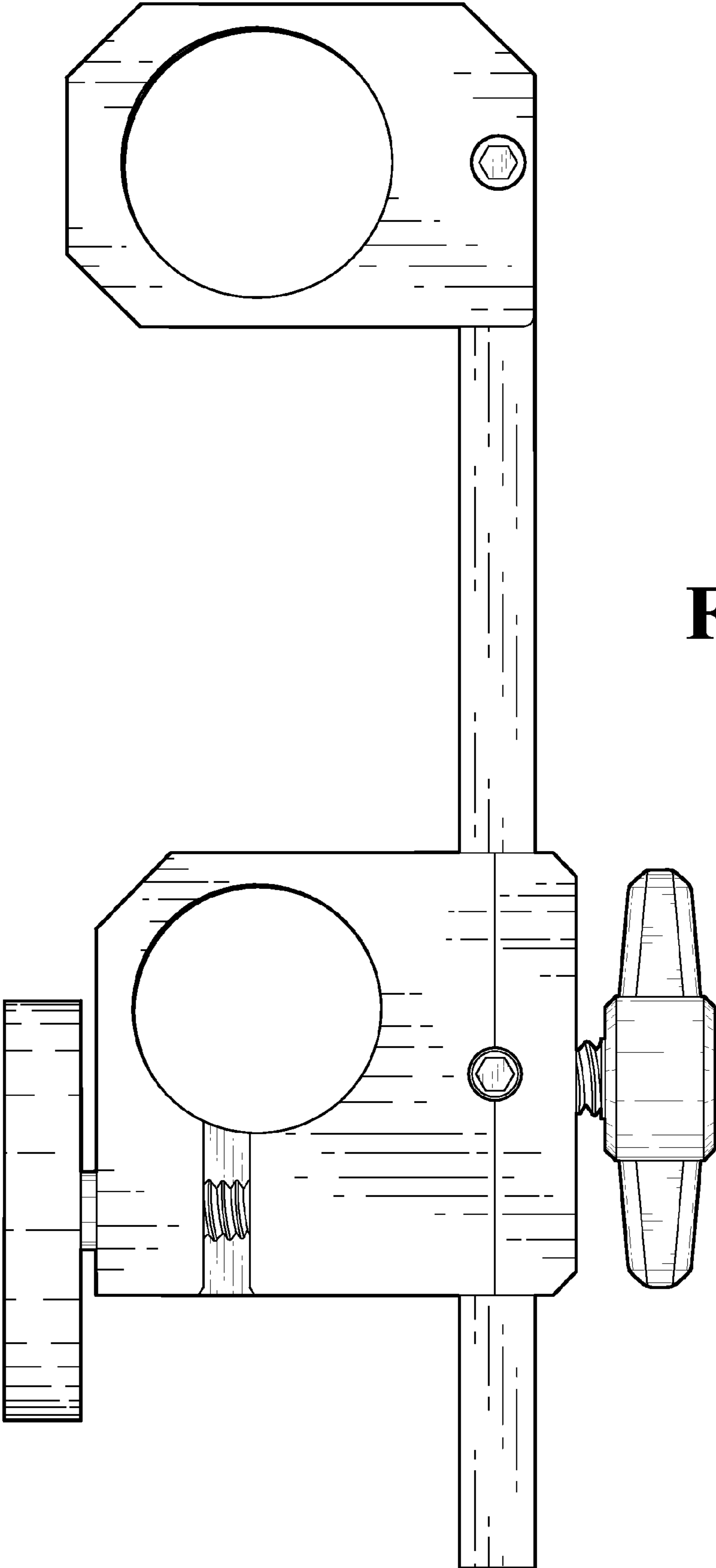


Fig. 2

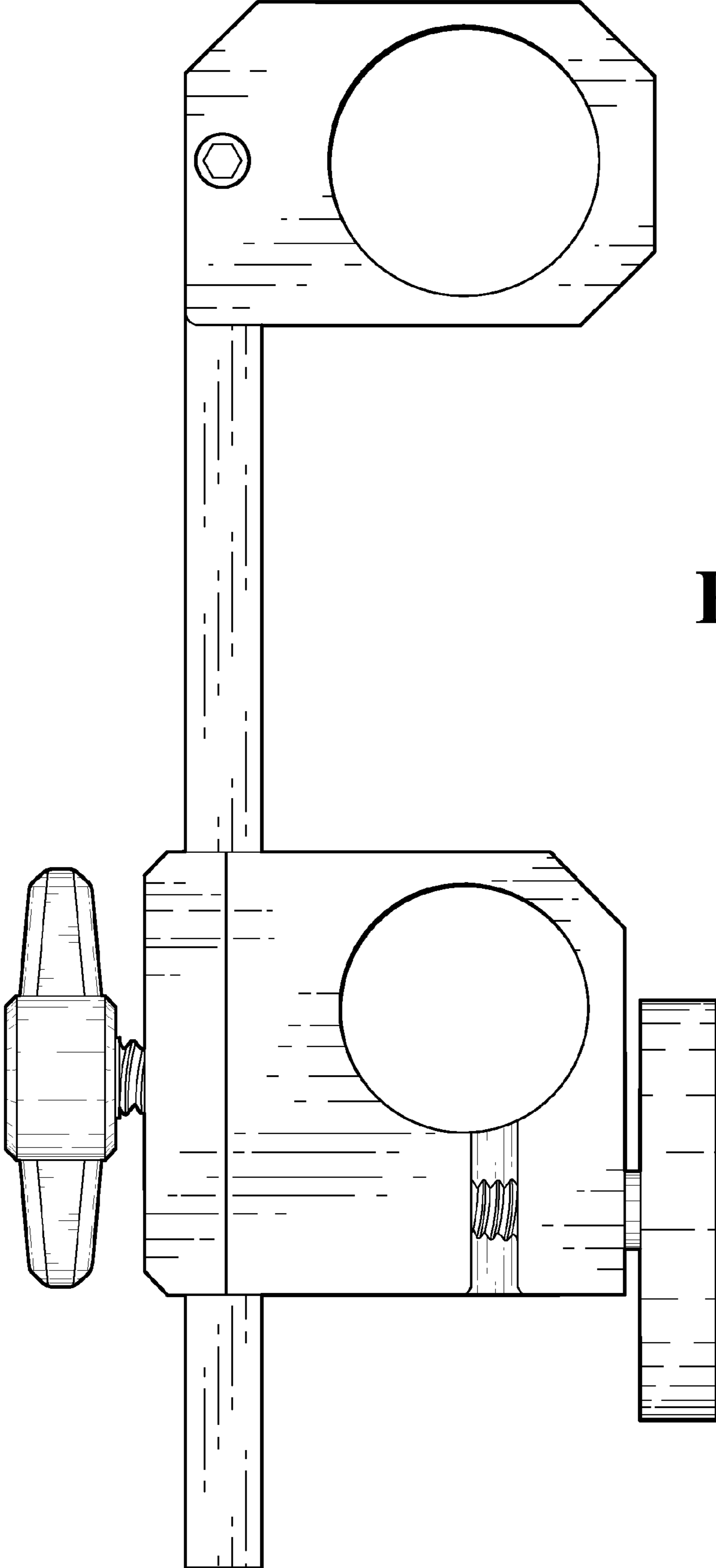


Fig. 3

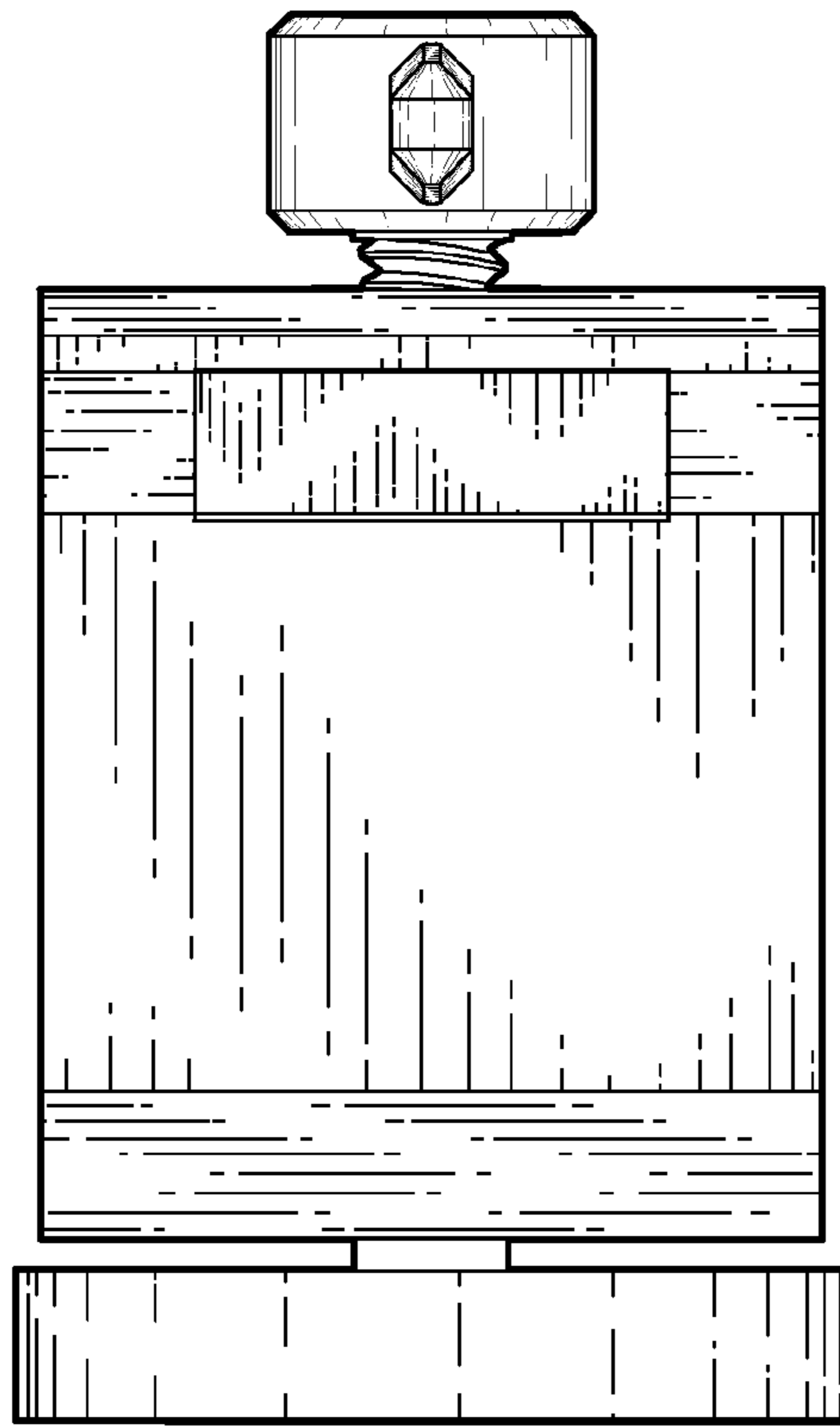


Fig. 4

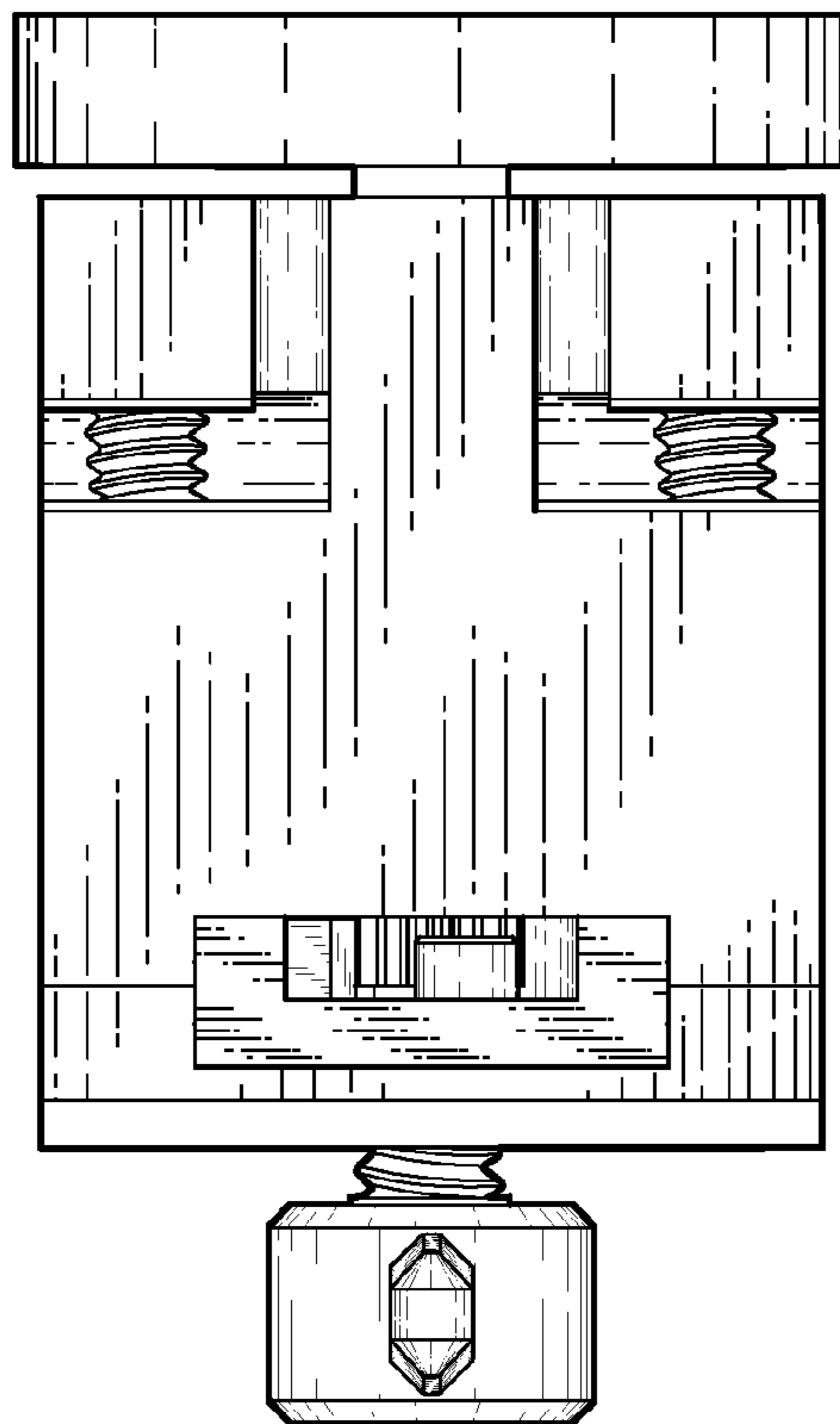


Fig. 5

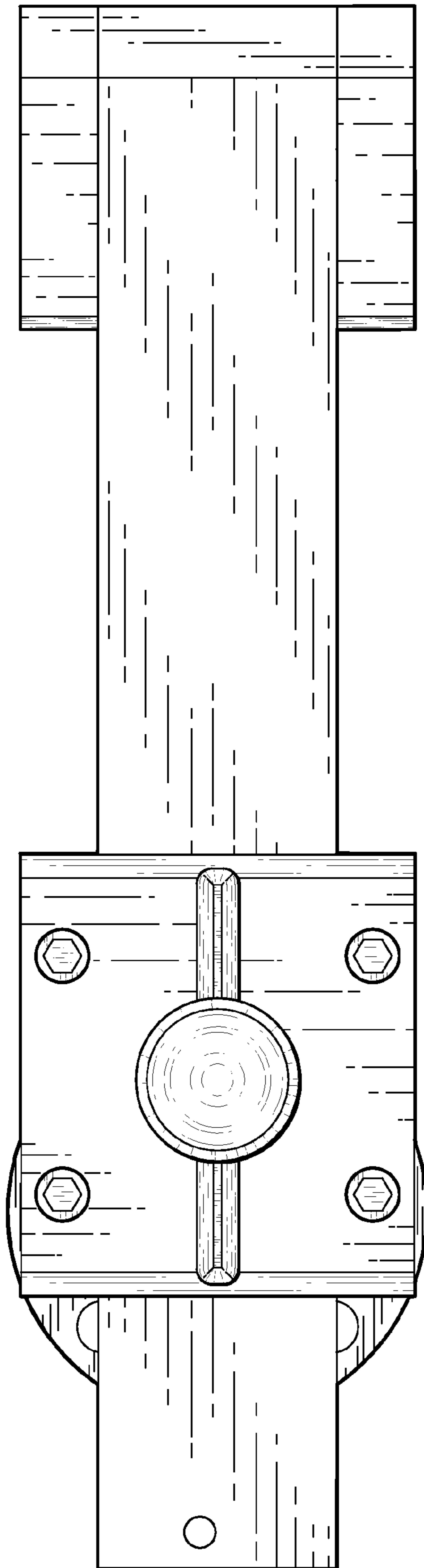


Fig. 6

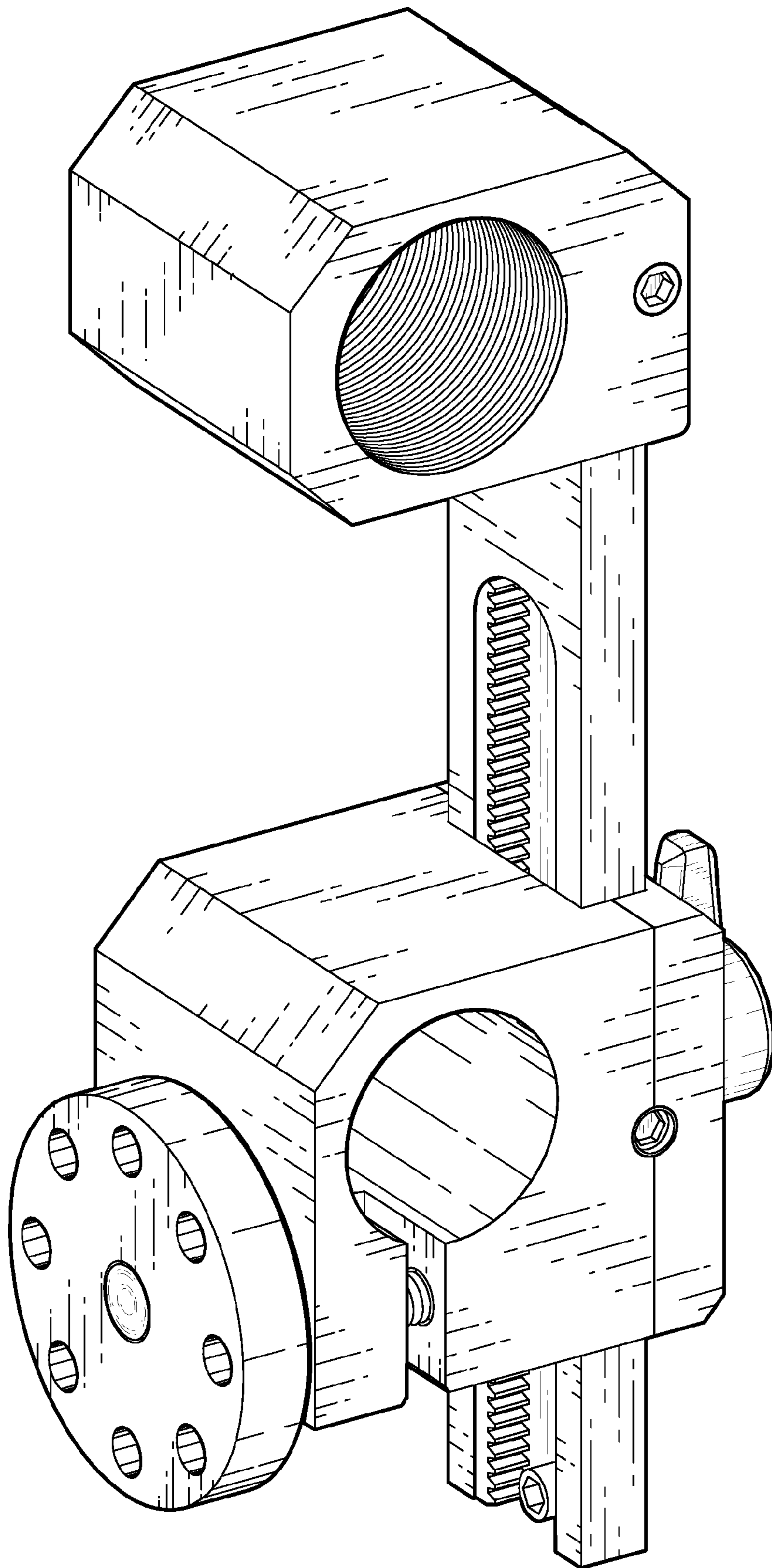


Fig. 7

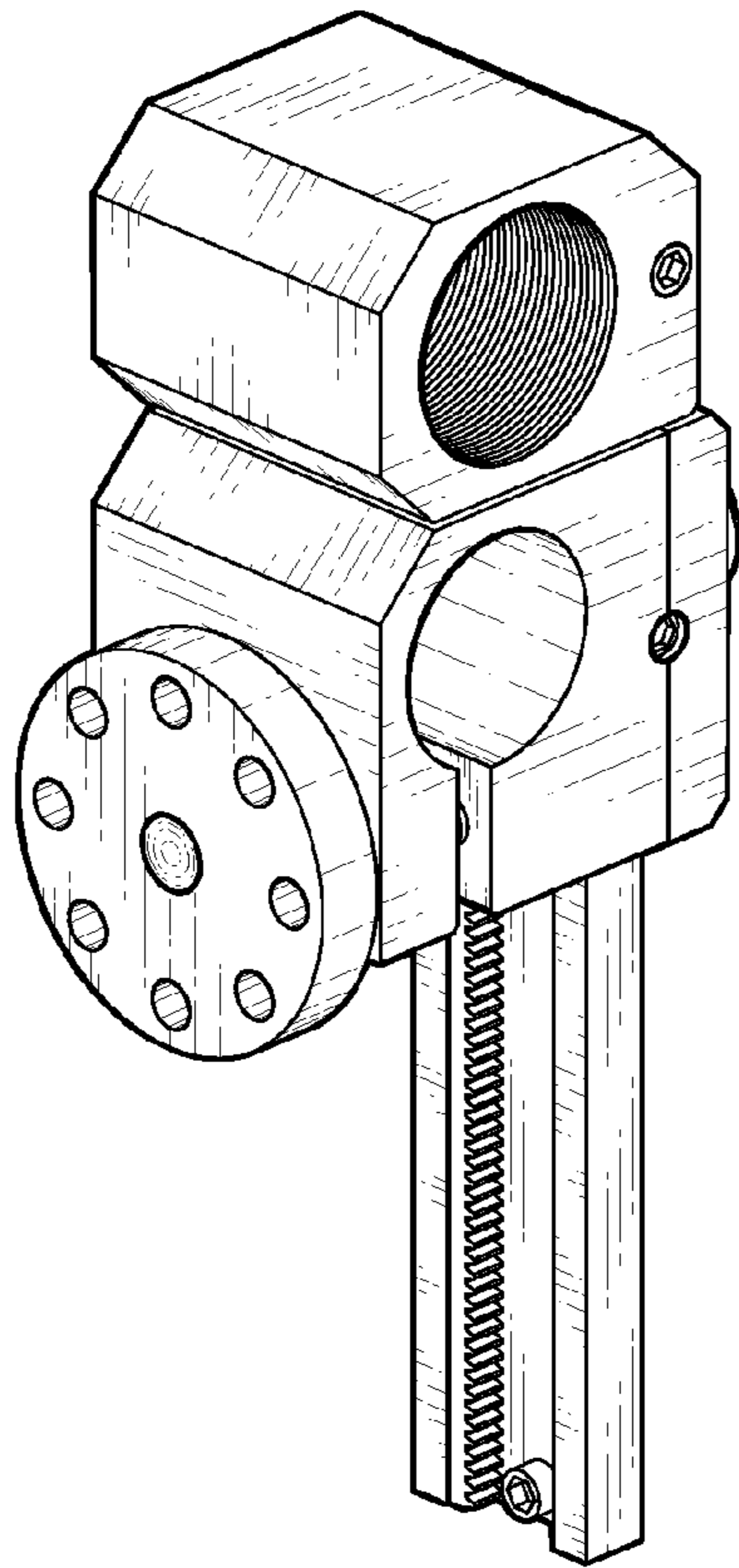


Fig. 8

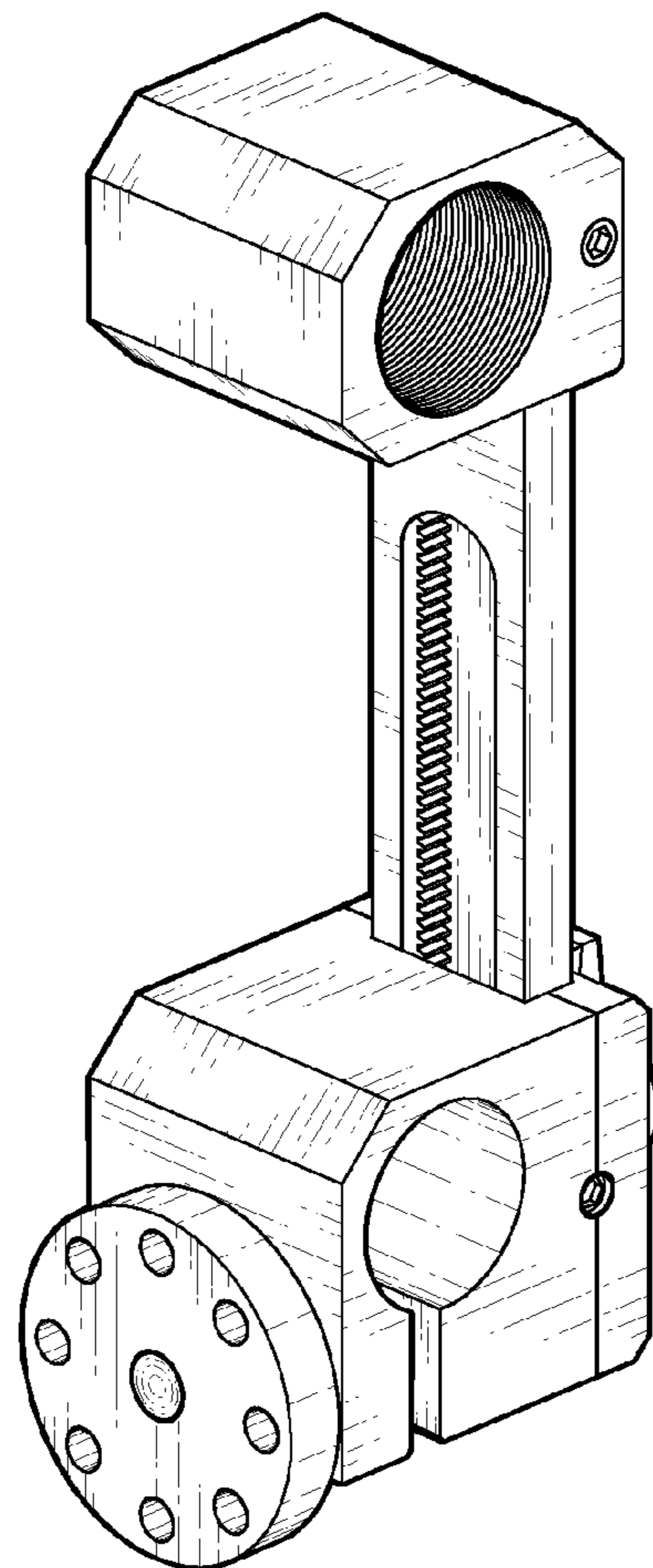


Fig. 9