

US00D544564S

(12) **United States Design Patent**
Swan

(10) **Patent No.:** **US D544,564 S**

(45) **Date of Patent:** **** Jun. 12, 2007**

(54) **CLAMP MOUNTED AND GUARD ASSEMBLY**

(76) Inventor: **Richard E. Swan**, 171 West St., East
Bridgewater, MA (US) 02333

(**) Term: **14 Years**

(21) Appl. No.: **29/237,440**

(22) Filed: **Aug. 31, 2005**

(51) **LOC (8) Cl.** **22-01**

(52) **U.S. Cl.** **D22/108**

(58) **Field of Classification Search** D22/100,
D22/108, 109, 110, 199; 42/11, 113, 116,
42/119, 124, 125, 127, 90, 145, 128, 72, 106,
42/114, 85, 75.02, 71.01; 248/205.1, 201
See application file for complete search history.

(56) **References Cited**

U.S. PATENT DOCUMENTS

1,115,979	A	11/1914	Sillix	
2,775,166	A	12/1956	Janson	
2,844,710	A	7/1958	Zinsser	
3,276,377	A	10/1966	Bell	
3,611,606	A	10/1971	Sefried et al.	
4,027,414	A	6/1977	Felix	42/1 ST
4,085,511	A	4/1978	Kovac	33/250
4,205,473	A	6/1980	Wilson	42/1 ST
4,249,315	A	2/1981	Hopson, III	33/250
4,485,871	A	12/1984	Davis	166/266
5,010,676	A	4/1991	Kennedy	42/71.1
5,062,346	A	11/1991	Greve Hansen et al.	89/14.1
5,097,614	A	3/1992	Strong	42/76.01
5,123,329	A	6/1992	Irwin	89/161
5,142,806	A	9/1992	Swan	42/101
5,343,650	A	9/1994	Swan	42/100
5,533,929	A	7/1996	Attridge, Jr.	454/369

6,490,822	B1	12/2002	Swan	42/71.01
6,508,027	B1 *	1/2003	Kim	42/124
6,606,813	B1 *	8/2003	Squire et al.	42/90
6,618,976	B1 *	9/2003	Swan	42/114
6,779,288	B1 *	8/2004	Kim	42/72
6,895,708	B2 *	5/2005	Kim et al.	42/72
D510,120	S *	9/2005	Ding	D22/108
D513,298	S *	12/2005	Ding	D22/110
D513,299	S *	12/2005	Ding	D22/110
D513,633	S *	1/2006	Ding	D22/110

* cited by examiner

Primary Examiner—Ian Simmons

Assistant Examiner—Melanie Levy

(74) *Attorney, Agent, or Firm*—Barlow, Josephs & Holmes,
Ltd.

(57) **CLAIM**

The ornamental design for clamp mounted hand guard
assembly, as shown and described.

DESCRIPTION

FIG. 1 is a perspective view of a clamp mounted hand guard
assembly, showing my new design;

FIG. 2 is a top plan view thereof;

FIG. 3 is a side view thereof, both left and right sides being
mirror images and appearing the same;

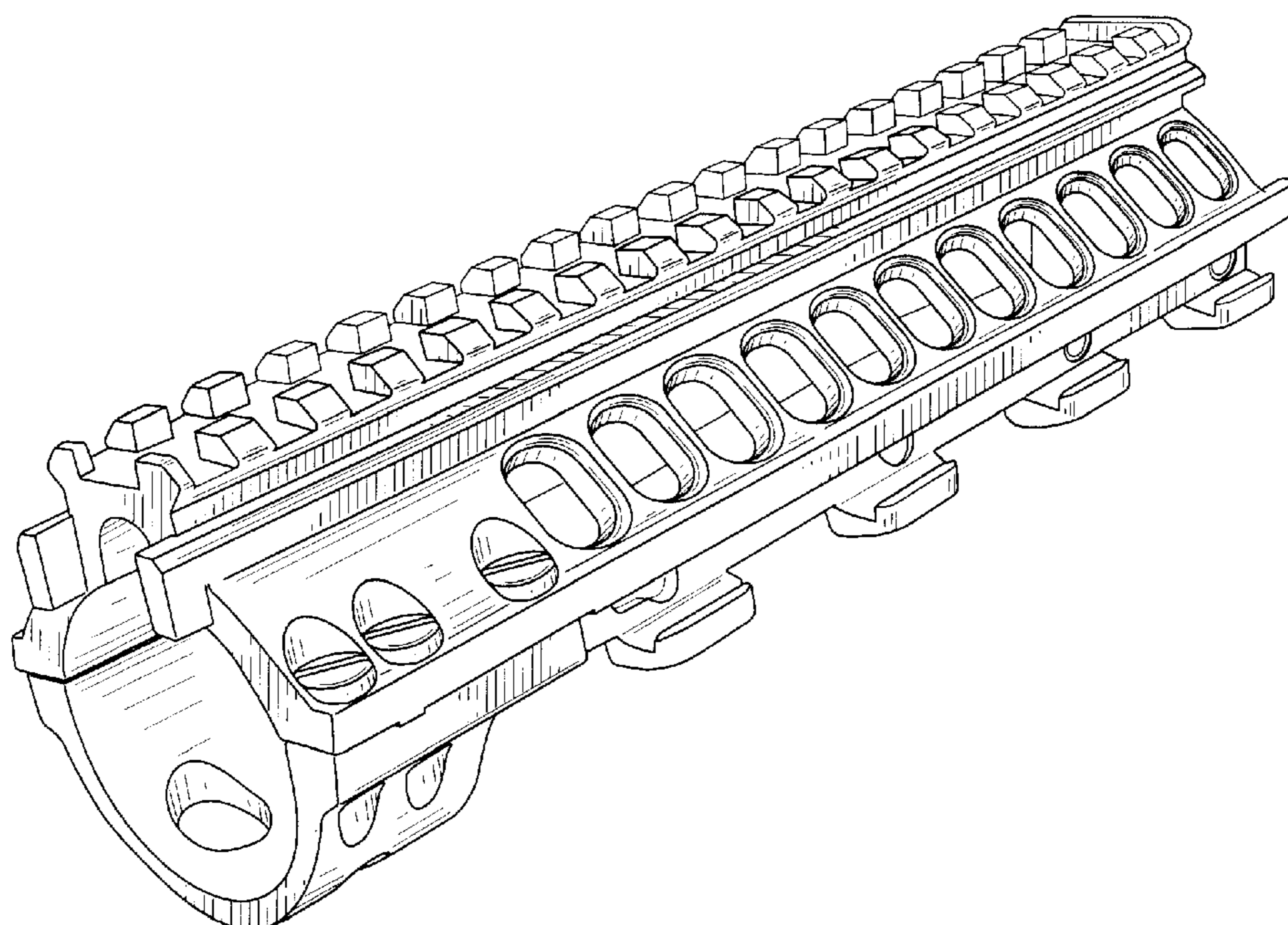
FIG. 4 is a bottom view thereof;

FIG. 5 is a rear view thereof;

FIG. 6 is a front rear view thereof; and,

FIG. 7 is and exploded an exploded perspective view
thereof.

1 Claim, 6 Drawing Sheets



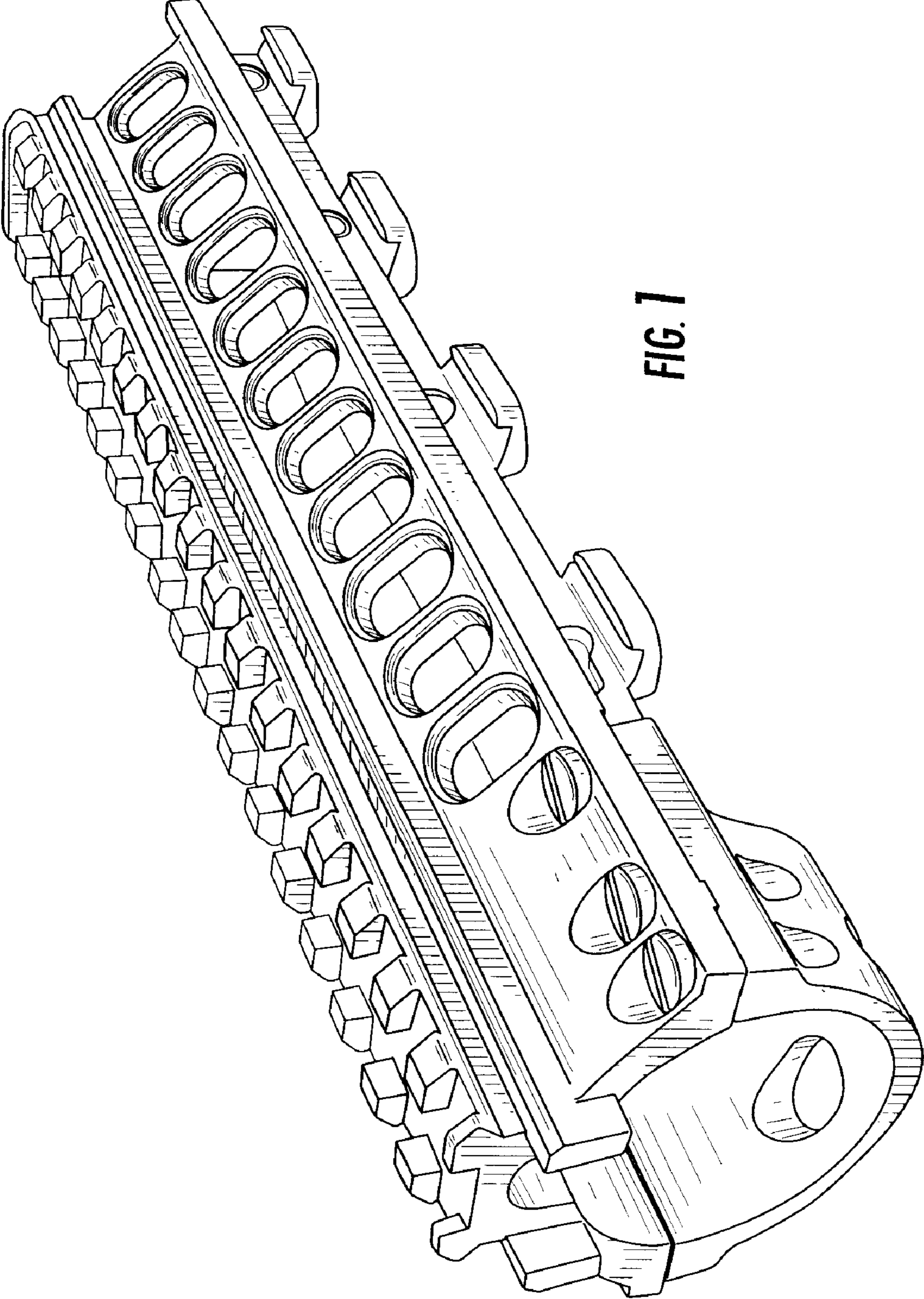


FIG. 1

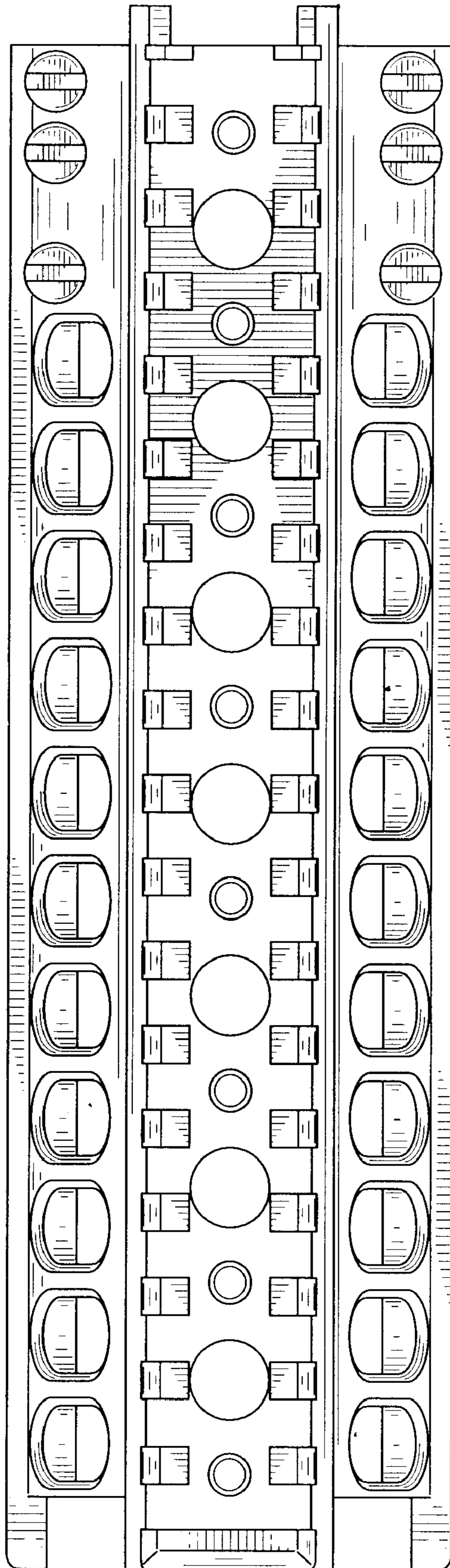


FIG. 2

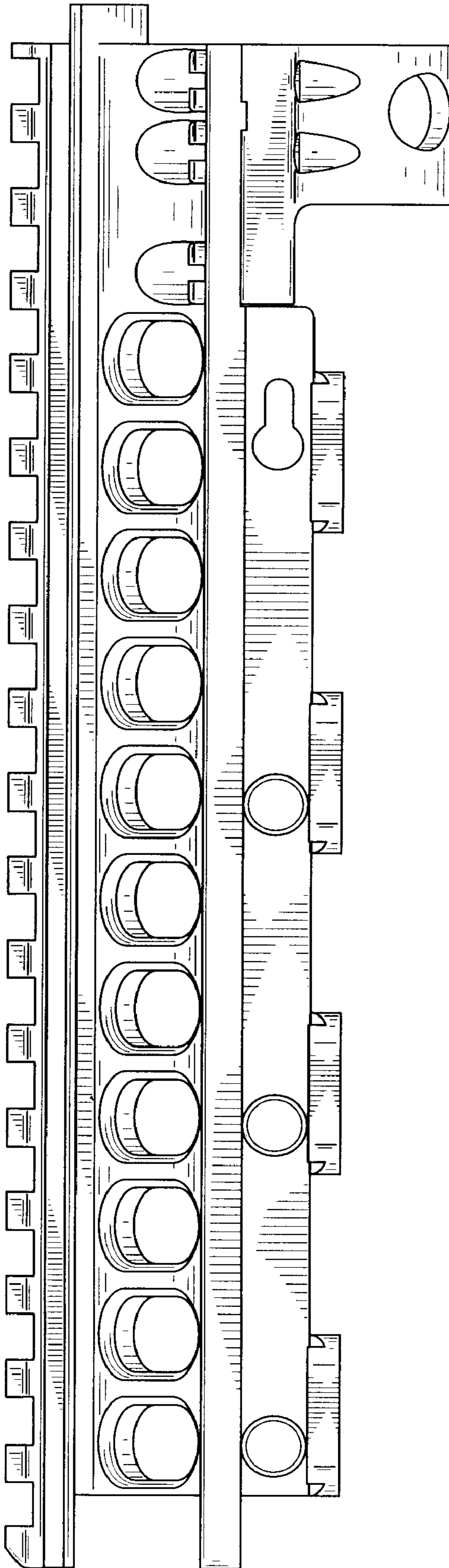


FIG. 3

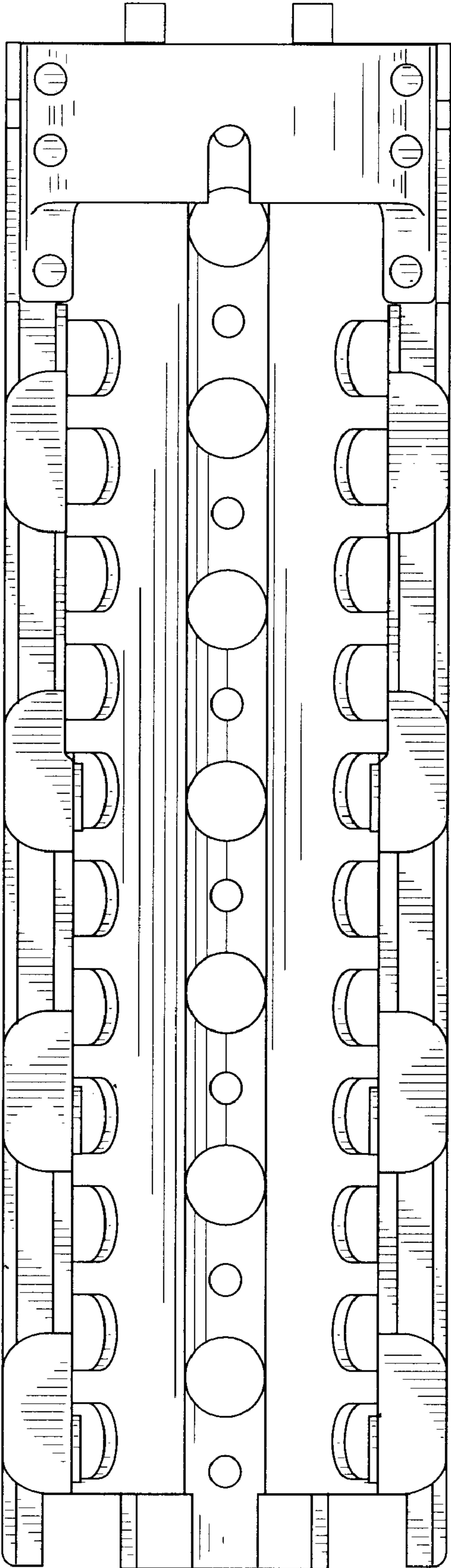


FIG. 4

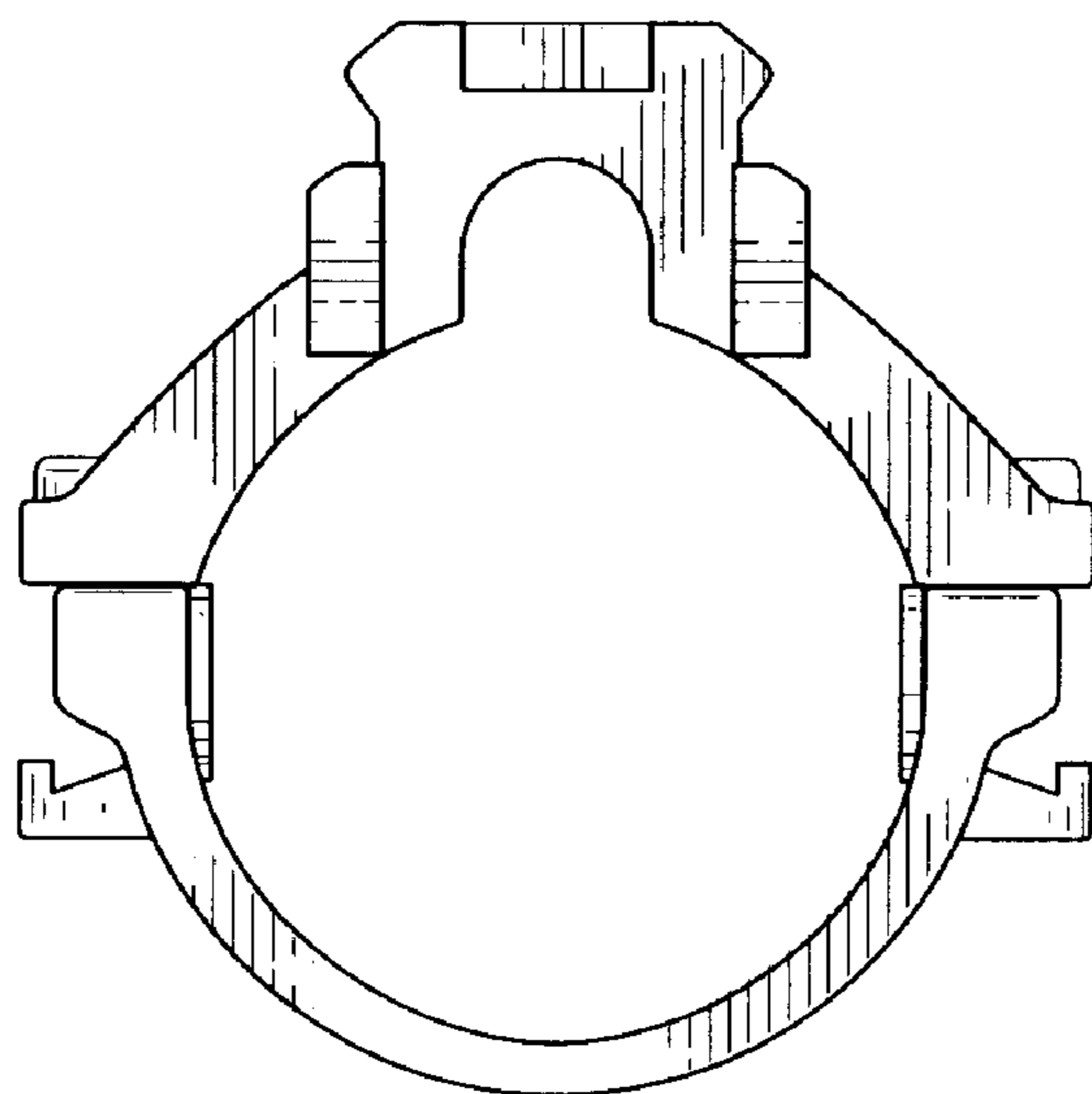


FIG. 5

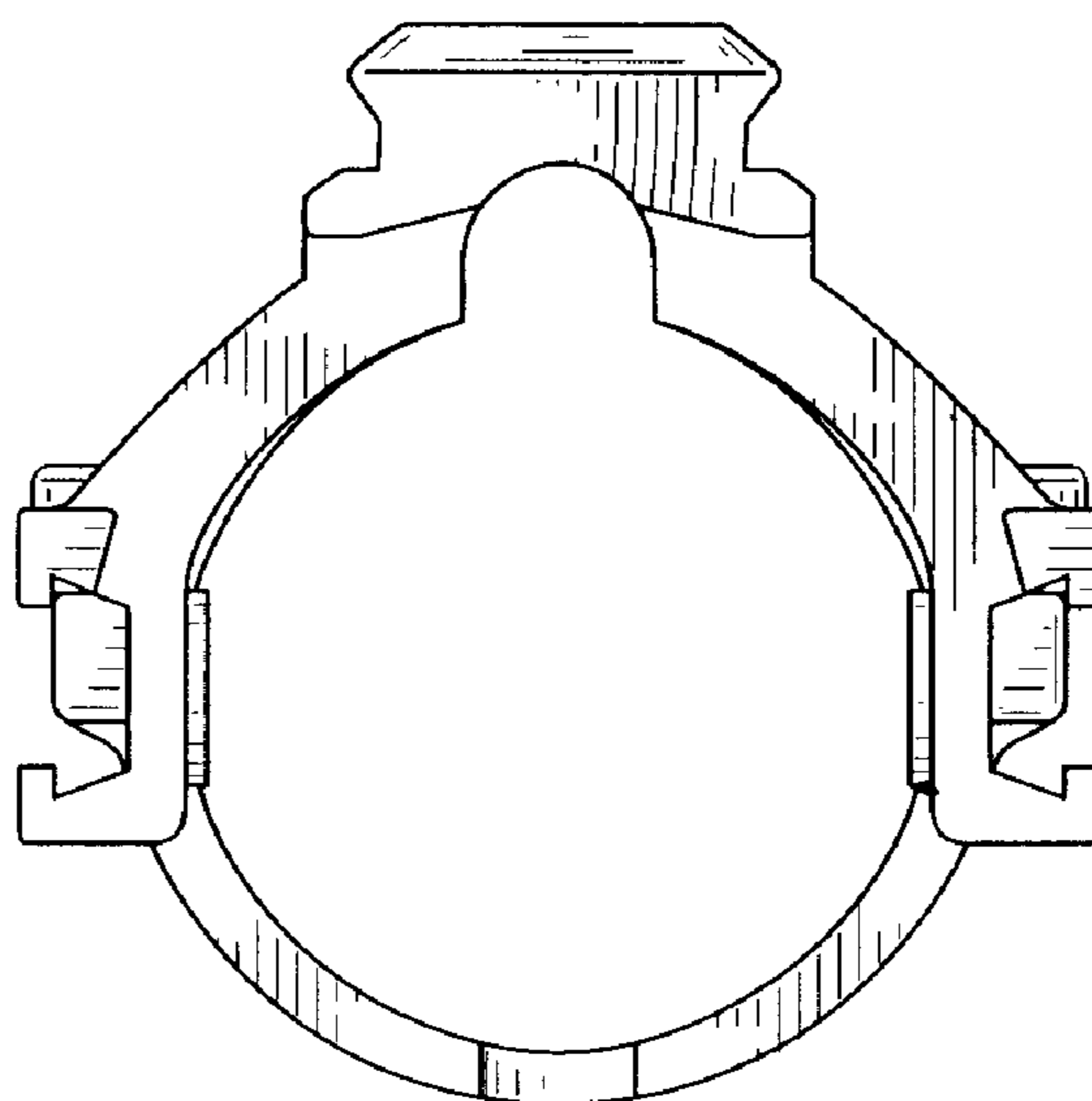
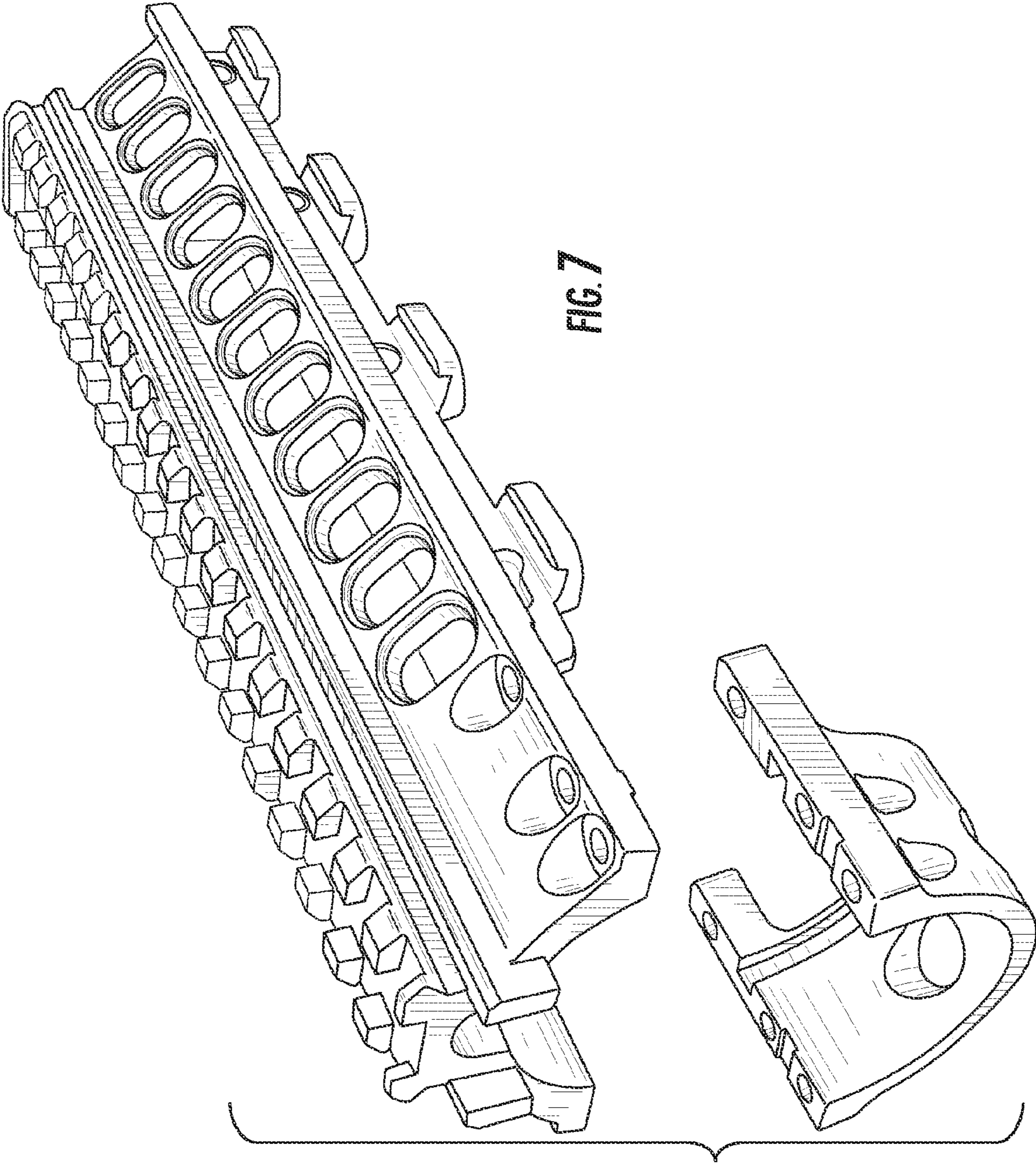


FIG. 6



UNITED STATES PATENT AND TRADEMARK OFFICE
CERTIFICATE OF CORRECTION

PATENT NO. : Des. 544,564 S
APPLICATION NO. : 29/237440
DATED : June 12, 2007
INVENTOR(S) : Richard E. Swan

Page 1 of 1

It is certified that error appears in the above-identified patent and that said Letters Patent is hereby corrected as shown below:

Title Page, Item (54) Title: the word "AND" should read --HAND--.

In the description, on the line beginning with the text "FIG. 6," the word "rear" should be deleted.

In the description, on the line beginning with the text "FIG. 7," the first occurrence of the words "and exploded" should be deleted.

Signed and Sealed this

Twenty-first Day of August, 2007

A handwritten signature in black ink on a light gray dotted background. The signature reads "Jon W. Dudas" in a cursive style.

JON W. DUDAS

Director of the United States Patent and Trademark Office