



US00D544559S

(12) **United States Design Patent** (10) **Patent No.:** **US D544,559 S**
Oldknow (45) **Date of Patent:** **** Jun. 12, 2007**

(54) **PORTION OF A GOLF CLUB HEAD**

JP 848082 9/2002

(75) Inventor: **Andrew G. V. Oldknow**, Beaverton, OR (US)

(73) Assignee: **Nike, Inc.**, Beaverton, OR (US)

(**) Term: **14 Years**

(21) Appl. No.: **29/249,628**

(22) Filed: **Oct. 13, 2006**

Related U.S. Application Data

(63) Continuation of application No. 29/248,432, filed on Aug. 16, 2006.

(51) **LOC (8) Cl.** **21-02**

(52) **U.S. Cl.** **D21/759**

(58) **Field of Classification Search** D21/736-746,
D21/733, 752, 759; 473/324-331, 340-346,
473/251-256

See application file for complete search history.

(56) **References Cited**

U.S. PATENT DOCUMENTS

1,349,806 A 8/1920 Booth
1,774,590 A 9/1930 Buhrke
D229,431 S 11/1973 Baker

(Continued)

FOREIGN PATENT DOCUMENTS

JP 848069 9/1992
JP 848070 9/1992
JP 862425 3/1993
JP 919615 2/1995
JP 3017932 8/1995
JP 3030545 8/1996
JP 979522 4/1997
JP 1084695 9/2000
JP 1085114 9/2000
JP 1140036 4/2002
JP 848071 9/2002

OTHER PUBLICATIONS

Edwin Watts Golf Catalog Late Spring 2004, pp. 12 and 22.
Golfsmith Catalog 1996, pp. 48 and 69.
Goldsmith Mid-Year Catalog 1996, p. 3.
Golfsmith Catalog 1997, p. 51.
Edwin Watts Golf Shops Catalog Spring 2000, p. 14.
Edwin Watts Golf Shops Catalog Late Summer 1998, pp. 21, 34 and 36.
Edwin Watts Golf Catalog Summer 2003, p. 12.
Golfsmith Catalog 1998, pp. 47 and 59.
Internet printout: <http://www.golfmagic.com/news/article/mps/UAN/4883/v/1/sp/>, dated Oct. 10, 2006; 4 pages.
Internet printout: <http://www.mcx.co.jp/katayama/sq.html>, dated Nov. 6, 2006; 2 pages.
Internet printout: <http://www.mcx.co.jp/katayama/bdream.html>, dated Nov. 6, 2006; 2 pages.
Monomagazine, p. 105, 1 sheet, dated Jun. 2, 1991.

Primary Examiner—Mitchell Siegel

(74) *Attorney, Agent, or Firm*—Banner & Witcoff, Ltd.

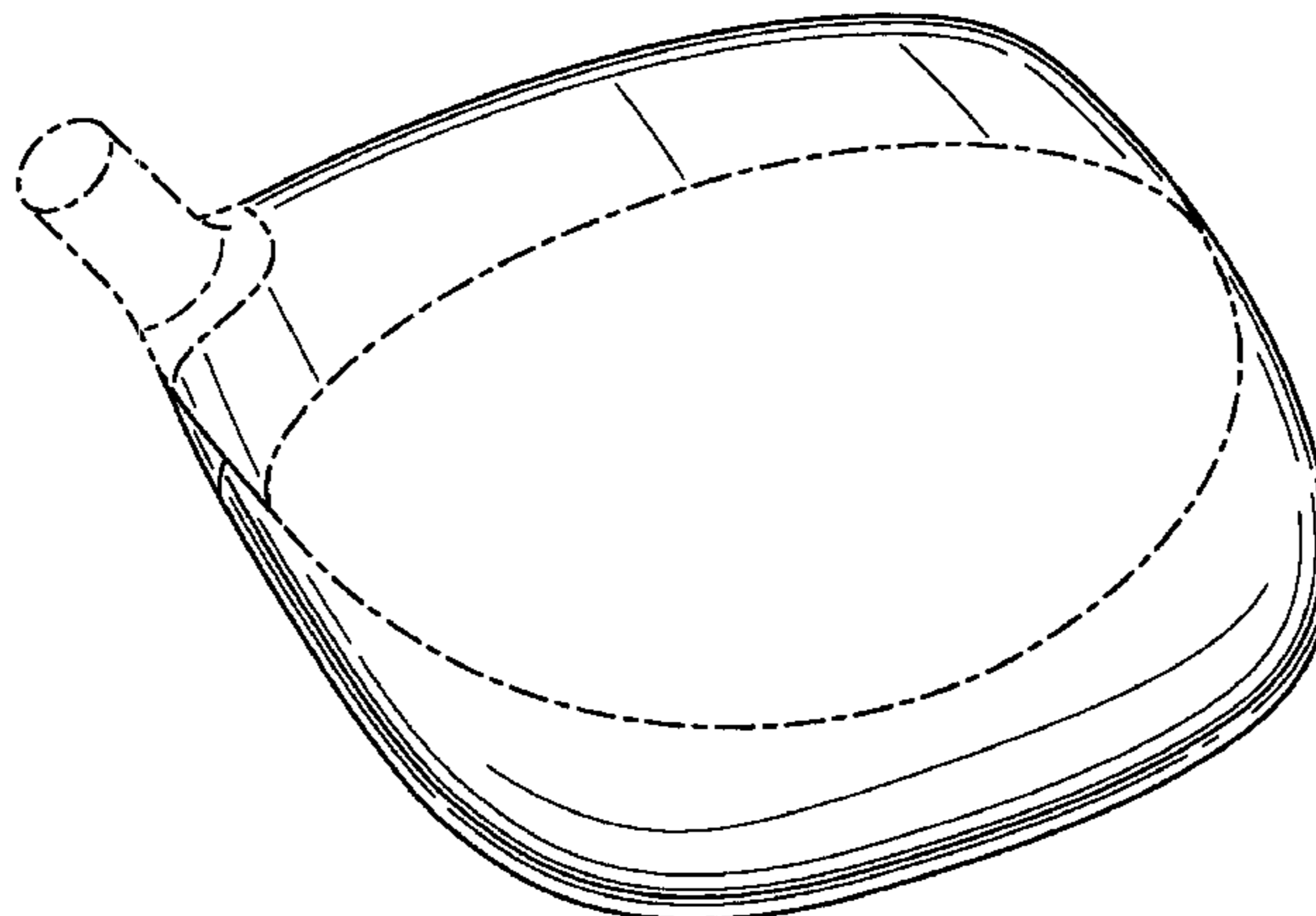
(57) **CLAIM**

The ornamental design for a portion of a golf club head, as shown and described.

DESCRIPTION

FIG. 1 is a top perspective view of a portion of a golf club head showing my new design;
FIG. 2 is a front view thereof;
FIG. 3 is a rear view thereof;
FIG. 4 is a toe end view thereof;
FIG. 5 is a heel end view thereof;
FIG. 6 is a top plan view thereof; and,
FIG. 7 is a bottom plan view thereof.
The broken lines immediately adjacent to the shaded regions form unclaimed boundaries of the design. The broken line showing of the oval and flag-shaped regions and the remainder of the golf club head are for illustrative purposes only and form no part of the claimed design.

1 Claim, 4 Drawing Sheets



US D544,559 S

Page 2

| U.S. PATENT DOCUMENTS | | | | | |
|-----------------------|----|---------------------------------------|--------------|----|---------------------------------|
| 3,975,023 | A | 8/1976 Inamori | D482,091 | S | 11/2003 Soracco et al. |
| 4,010,958 | A | 3/1977 Long | 6,648,773 | B1 | 11/2003 Evans |
| 4,021,047 | A | 5/1977 Mader | D484,937 | S | 1/2004 Madore et al. |
| 4,431,192 | A | 2/1984 Stuff, Jr. | 6,719,644 | B2 | 4/2004 Beach |
| 4,828,265 | A | 5/1989 Antonious | D490,488 | S | 5/2004 Hoffmann et al. |
| 5,421,577 | A | 6/1995 Kobayashi | D490,489 | S | 5/2004 Madore |
| 5,431,401 | A | 7/1995 Smith | D492,745 | S | 7/2004 Tang |
| D402,340 | S | 12/1998 Sheets et al. | D492,971 | S | 7/2004 Madore |
| D404,098 | S | * 1/1999 Ishikawa et al. D21/733 | D492,973 | S | 7/2004 Madore |
| D414,231 | S | 9/1999 Mahaffey | D499,157 | S | 11/2004 Antonious |
| 5,947,838 | A | 9/1999 Tkacs | D501,523 | S | 2/2005 Dogan et al. |
| 6,012,989 | A | 1/2000 Saksun | D508,544 | S | 8/2005 Madore |
| 6,152,833 | A | 11/2000 Werner et al. | D508,546 | S | 8/2005 Oldknow |
| D438,922 | S | 3/2001 Asabuki | D515,157 | S | 2/2006 Madore |
| 6,217,461 | B1 | 4/2001 Galy | D523,502 | S | 6/2006 Jorgensen |
| D442,244 | S | 5/2001 Olsavsky et al. | D524,397 | S | 7/2006 Madore et al. |
| D459,425 | S | 6/2002 Burnett et al. | D524,890 | S | 7/2006 Foster et al. |
| D461,513 | S | 8/2002 Madore et al. | D532,470 | S | * 11/2006 Oldknow D21/752 |
| D463,838 | S | 10/2002 Besnard et al. | D532,853 | S | * 11/2006 Oldknow D21/752 |
| 6,478,692 | B2 | 11/2002 Kosmatka | 2002/0119828 | A1 | 8/2002 Toulon et al. |
| 6,602,149 | B1 | 8/2003 Jacobson | 2006/0148586 | A1 | 7/2006 Williams et al. |
| D479,867 | S | 9/2003 Saliba et al. | | | |

* cited by examiner

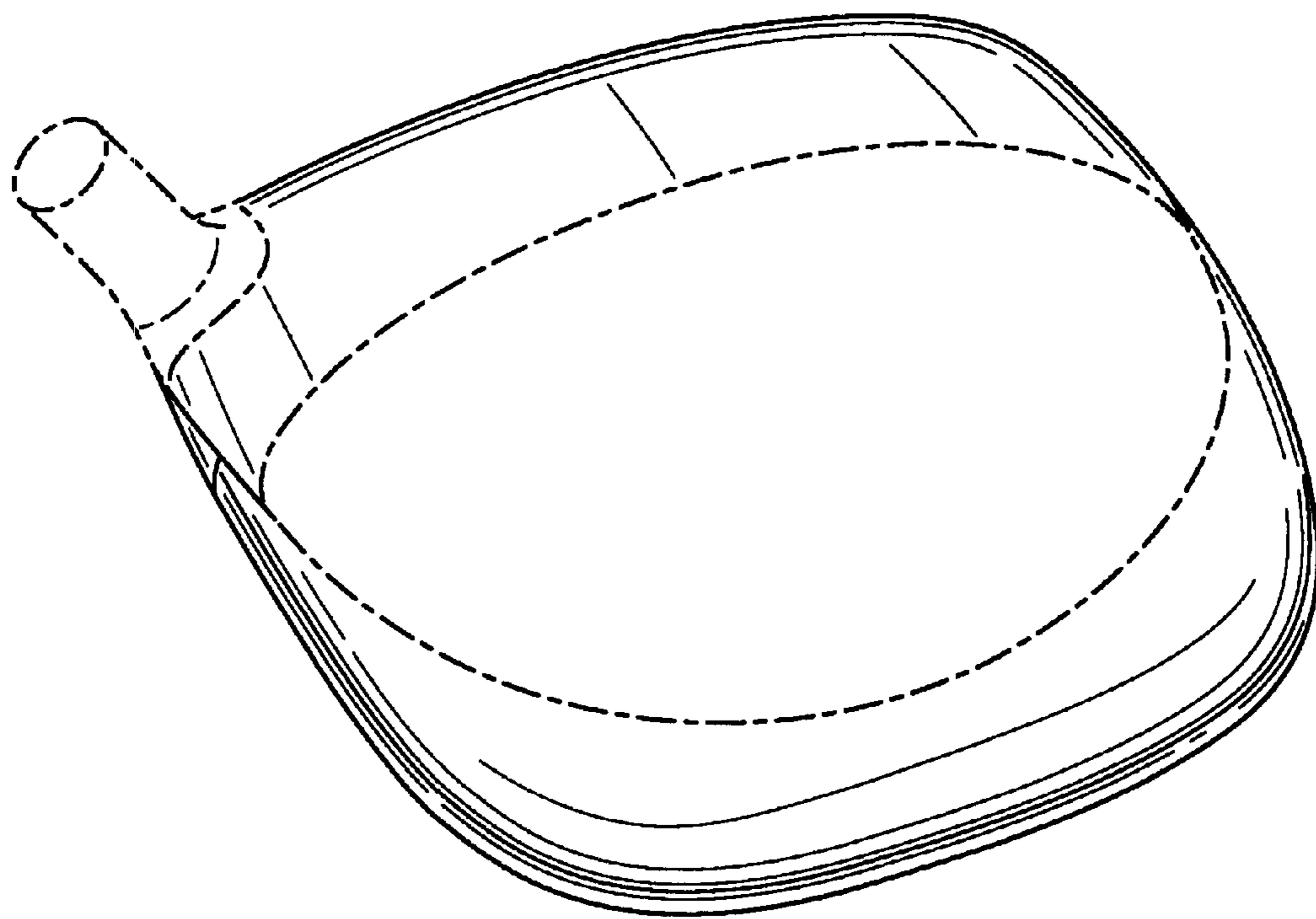


FIG. 1

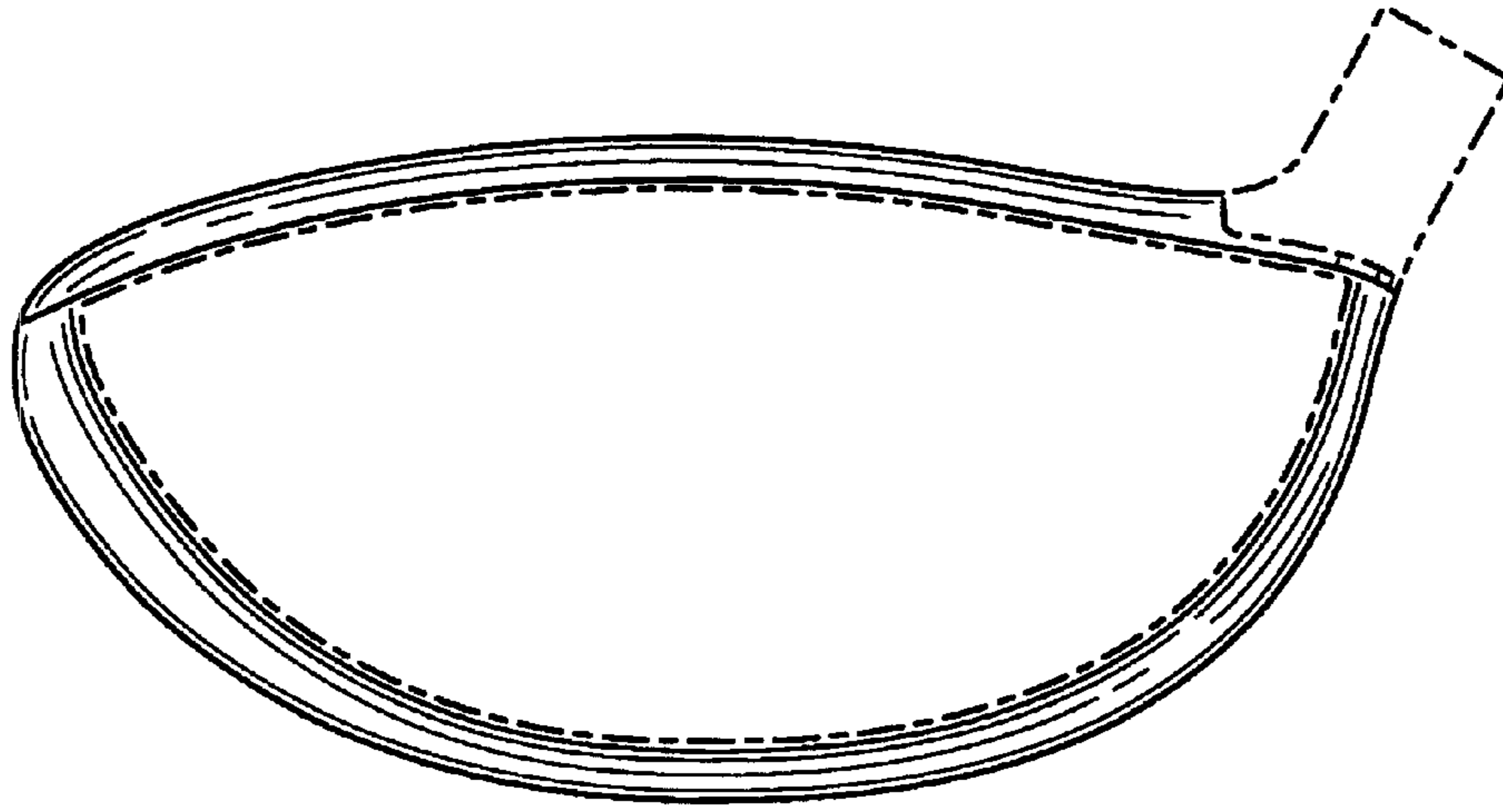


FIG. 2

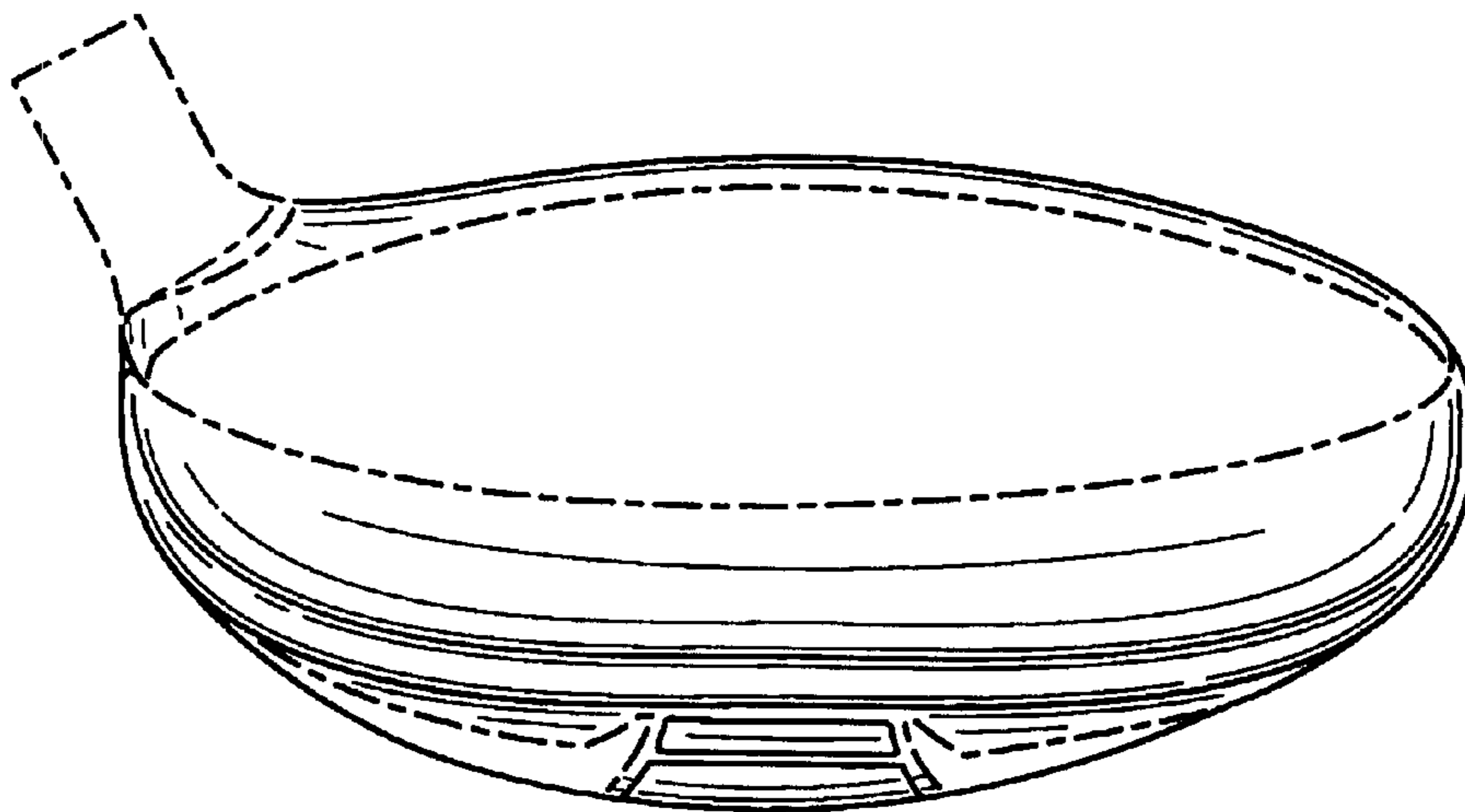


FIG. 3

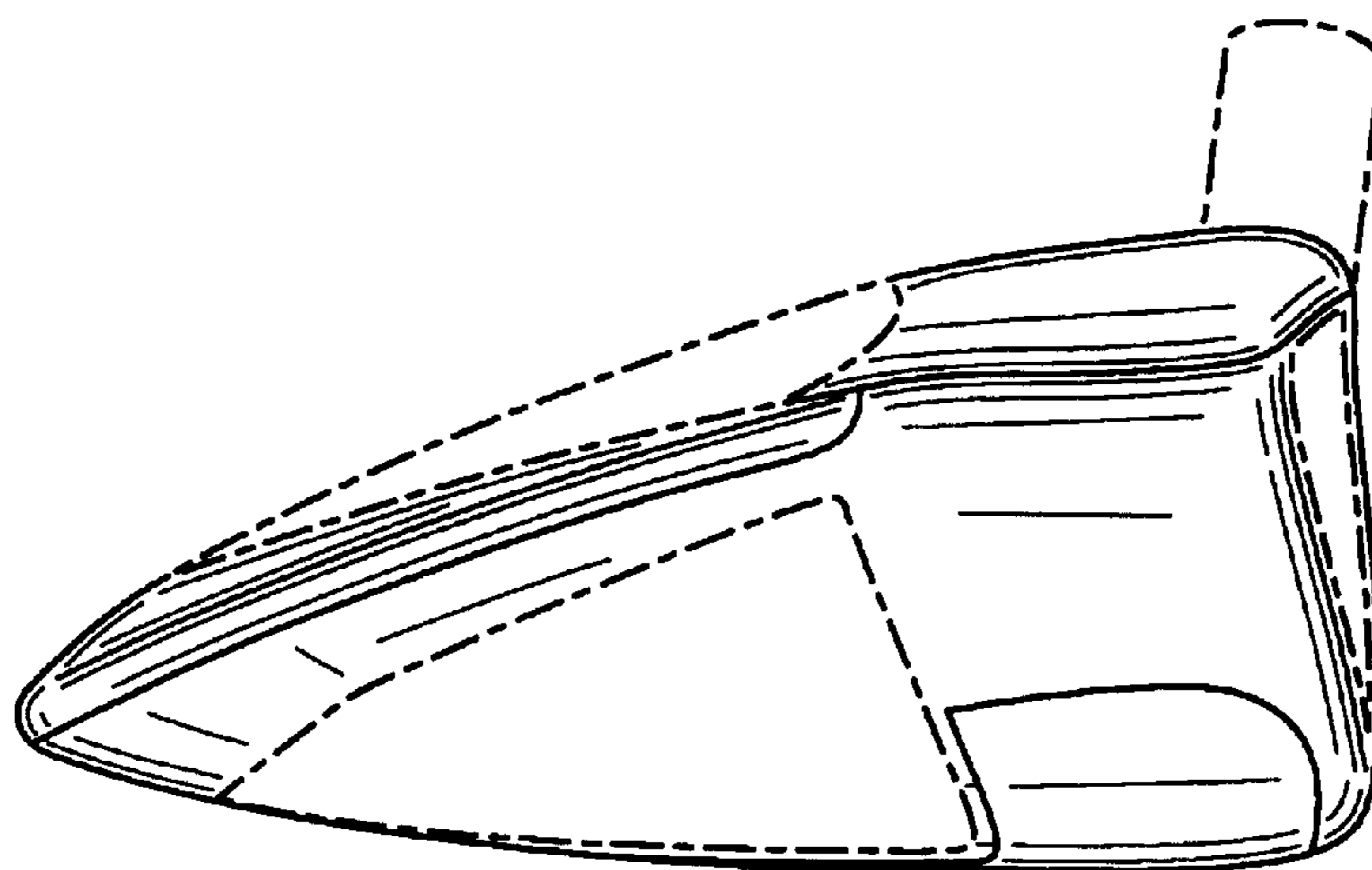


FIG. 4

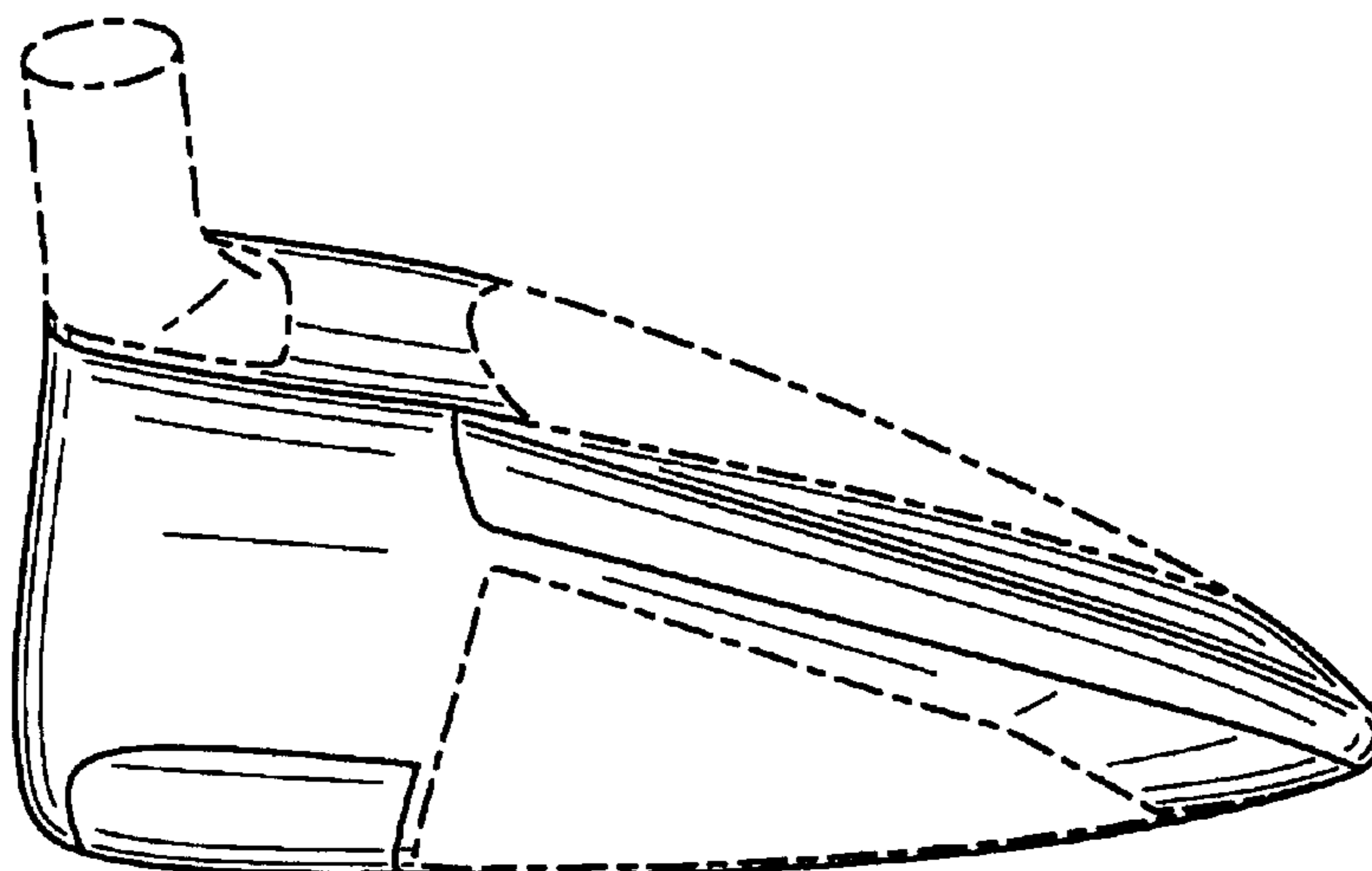


FIG. 5

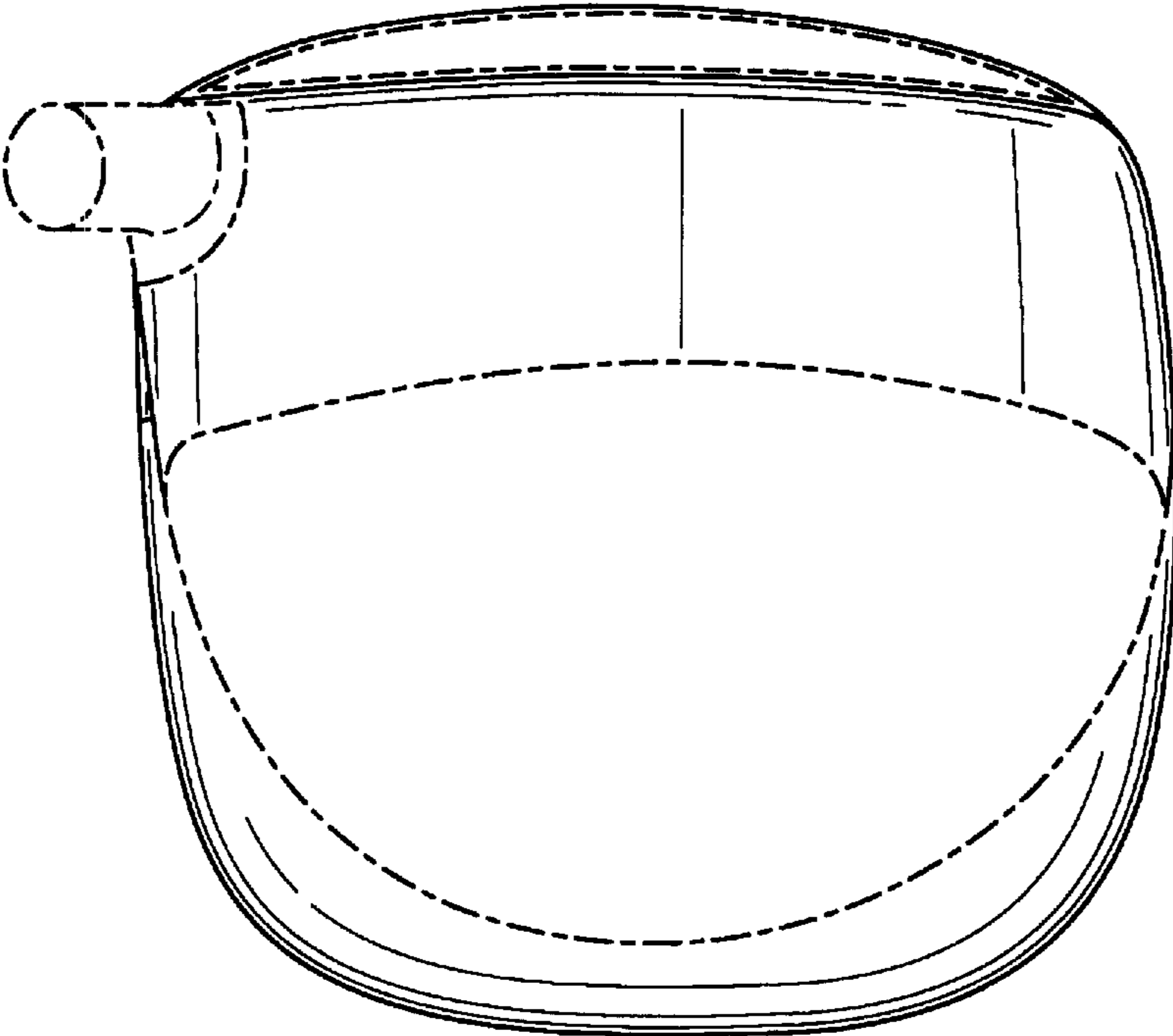


FIG. 6

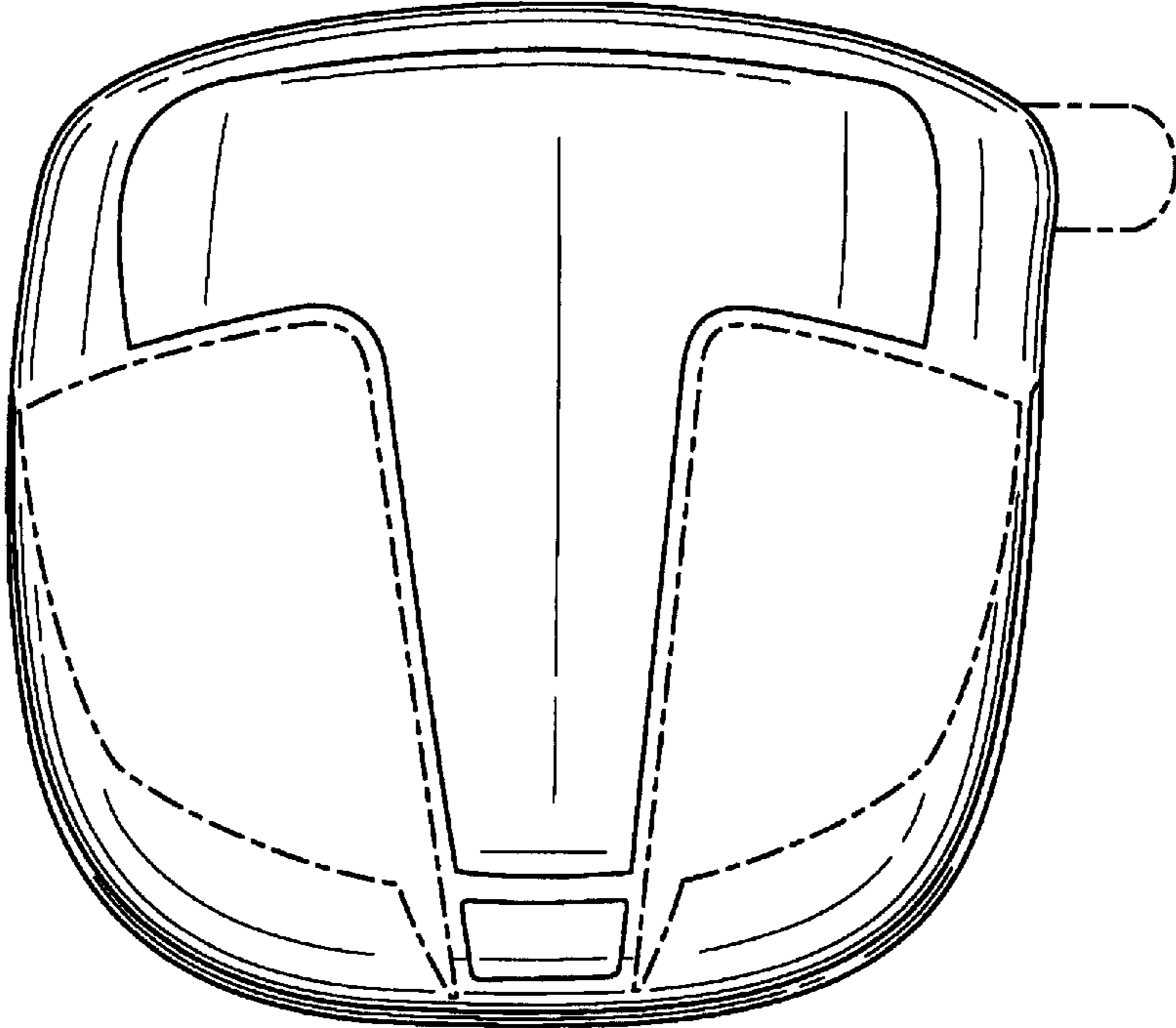


FIG. 7