



US00D544558S

(12) **United States Design Patent** (10) **Patent No.:** **US D544,558 S**
Oldknow (45) **Date of Patent:** **** Jun. 12, 2007**

(54) **PORTION OF A GOLF CLUB HEAD**

FOREIGN PATENT DOCUMENTS

(75) Inventor: **Andrew G. V. Oldknow**, Beaverton,
OR (US)
(73) Assignee: **Nike, Inc.**, Beaverton, OR (US)
(**) Term: **14 Years**
(21) Appl. No.: **29/249,627**
(22) Filed: **Oct. 13, 2006**

JP	848069	9/1992
JP	848070	9/1992
JP	862425	3/1993
JP	919615	2/1995
JP	3017932	8/1995
JP	3030545	8/1996
JP	979522	4/1997
JP	1084695	9/2000
JP	1085114	9/2000
JP	1140036	4/2002
JP	848071	9/2002
JP	848082	9/2002

Related U.S. Application Data

(63) Continuation of application No. 29/248,432, filed on Aug. 16, 2006.
(51) **LOC (8) Cl.** **21-02**
(52) **U.S. Cl.** **D21/759**
(58) **Field of Classification Search** D21/733,
D21/752, 759; 473/324-331, 343, 346
See application file for complete search history.

OTHER PUBLICATIONS

Edwin Watts Golf Catalog Late Spring 2004, pp. 12 and 22.
Golfsmith Catalog 1996, pp. 48 and 69.
Golfsmith Mid-Year Catalog 1996, p. 3.
Golfsmith Catalog 1997, p. 51.

(Continued)

Primary Examiner—Mitchell Siegel

(74) *Attorney, Agent, or Firm*—Banner & Witcoff, Ltd.

(56) **References Cited**

U.S. PATENT DOCUMENTS

1,349,806	A	8/1920	Booth	
1,774,590	A	9/1930	Buhrke	
D229,431	S	11/1973	Baker	
3,975,023	A	8/1976	Inamori	
4,010,958	A	3/1977	Long	
4,021,047	A	5/1977	Mader	
4,431,192	A	2/1984	Stuff, Jr.	
4,828,265	A	5/1989	Antonious	
5,421,577	A	6/1995	Kobayashi	
5,431,401	A	7/1995	Smith	
D402,340	S	12/1998	Sheets et al.	
D402,726	S	* 12/1998	McCabe et al. D21/753
D414,231	S	9/1999	Mahaffey	
5,947,838	A	9/1999	Tkacs	
6,012,989	A	1/2000	Saksun	
6,152,833	A	11/2000	Werner et al.	
D438,922	S	3/2001	Asabuki	
6,217,461	B1	4/2001	Galy	

(57) **CLAIM**

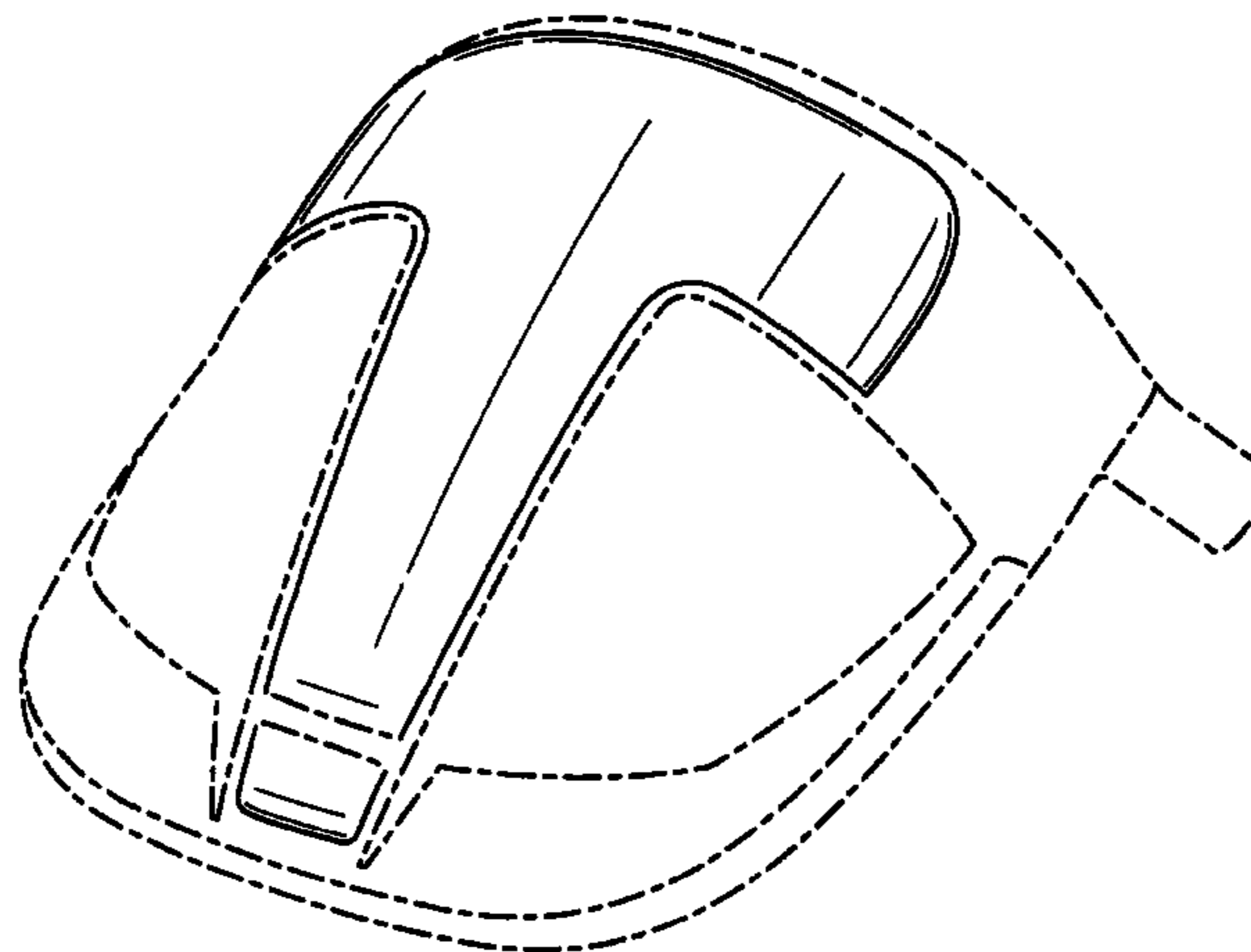
The ornamental design for a portion of a golf club head, as shown and described.

DESCRIPTION

FIG. 1 is a bottom perspective view of a portion of a golf club head showing my new design;
FIG. 2 is a bottom plan view thereof;
FIG. 3 is a rear view thereof;
FIG. 4 is a toe end view thereof; and,
FIG. 5 is a heel end view thereof.
The broken lines immediately adjacent to the shaded regions form unclaimed boundaries of the design. The broken line showing of the remainder of the golf club head is for illustrative purposes only and forms no part of the claimed design.

(Continued)

1 Claim, 3 Drawing Sheets



US D544,558 S

Page 2

U.S. PATENT DOCUMENTS

D442,244 S 5/2001 Olsavsky et al.
D459,425 S 6/2002 Burnett et al.
D461,513 S 8/2002 Madore et al.
D463,838 S 10/2002 Besnard et al.
6,478,692 B2 11/2002 Kosmatka
6,602,149 B1 8/2003 Jacobson
D479,867 S 9/2003 Saliba et al.
D482,091 S 11/2003 Soracco et al.
6,648,773 B1 11/2003 Evans
D484,937 S 1/2004 Madore et al.
6,719,644 B2 4/2004 Beach
D489,425 S * 5/2004 Rice et al. D21/759
D490,488 S 5/2004 Hoffmann et al.
D490,489 S 5/2004 Madore
D492,745 S 7/2004 Tang
D492,971 S 7/2004 Madore
D492,973 S 7/2004 Madore
D499,157 S 11/2004 Antonious
D501,523 S 2/2005 Dogan et al.
D508,544 S 8/2005 Madore
D508,546 S 8/2005 Oldknow
D515,157 S 2/2006 Madore
D523,502 S 6/2006 Jorgensen

D524,395 S * 7/2006 Madore et al. D21/759
D524,397 S 7/2006 Madore et al.
D524,890 S 7/2006 Foster et al.
D532,471 S * 11/2006 Oldknow D21/752
D532,854 S * 11/2006 Oldknow D21/752
2002/0119828 A1 8/2002 Toulon et al.
2006/0148586 A1 7/2006 Williams et al.

OTHER PUBLICATIONS

Edwin Watts Golf Shops Catalog Spring 2000, p. 14.
Edwin Watts Golf Shops Catalog Late Summer 1998, pp. 21, 34 and 36.
Edwin Watts Golf Catalog Summer 2003, p. 12.
Golfsmith Catalog 1998, pp. 47 and 59.
Internet printout: <http://www.golfmagic.com/news/article/mps/UAN/4883/v/1/sp/>, dated Oct. 10, 2006; 4 pages.
Internet printout: <http://www.mcx.co.jp/katayama/sq.html>, dated Nov. 6, 2006; 2 pages.
Internet printout: <http://www.mcx.co.jp/katayama/bdream.html>, dated Nov. 6, 2006; 2 pages.
Monomagazine, p. 105, 1 sheet, dated Jun. 2, 1991.

* cited by examiner

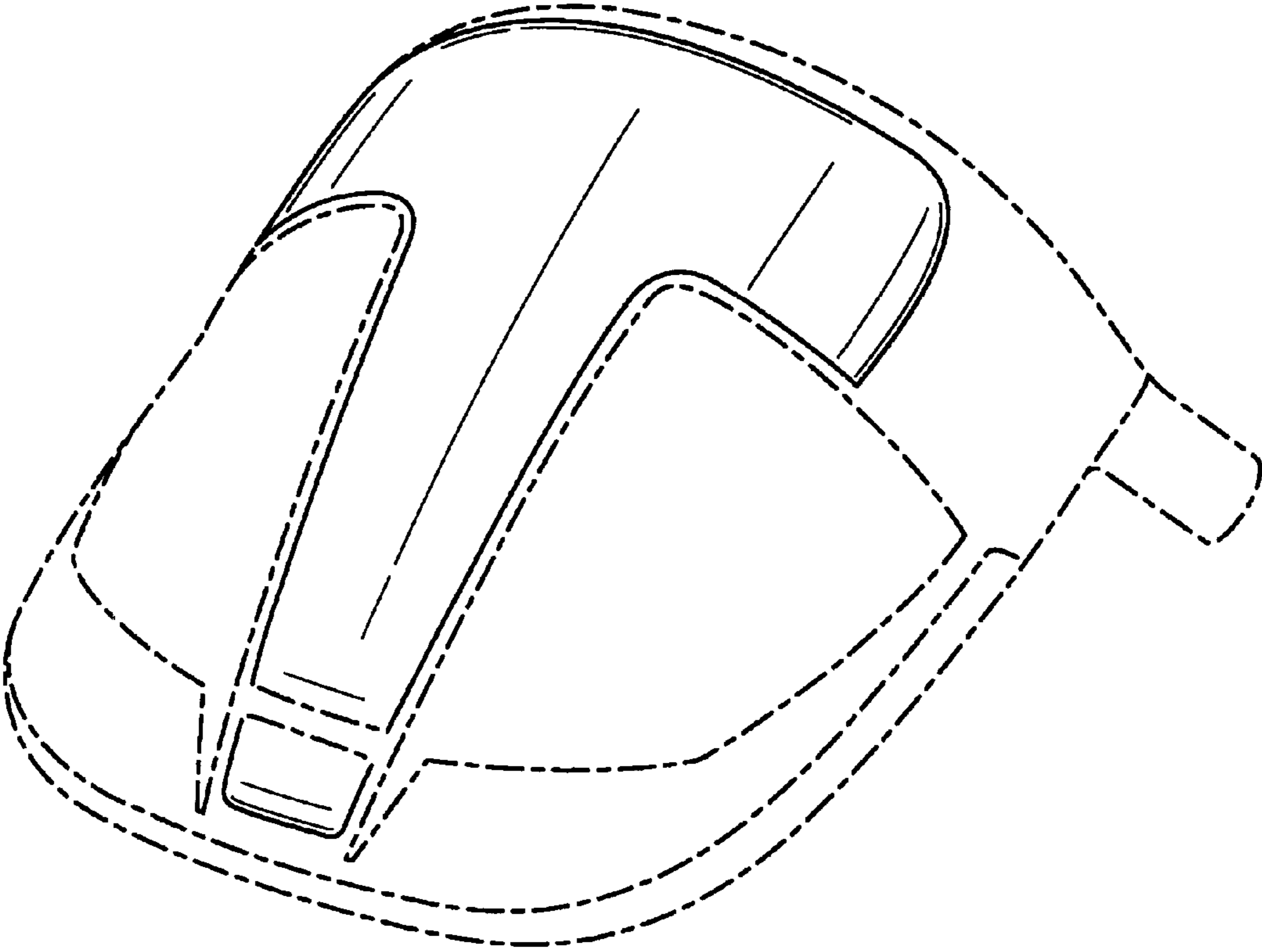


FIG. 1

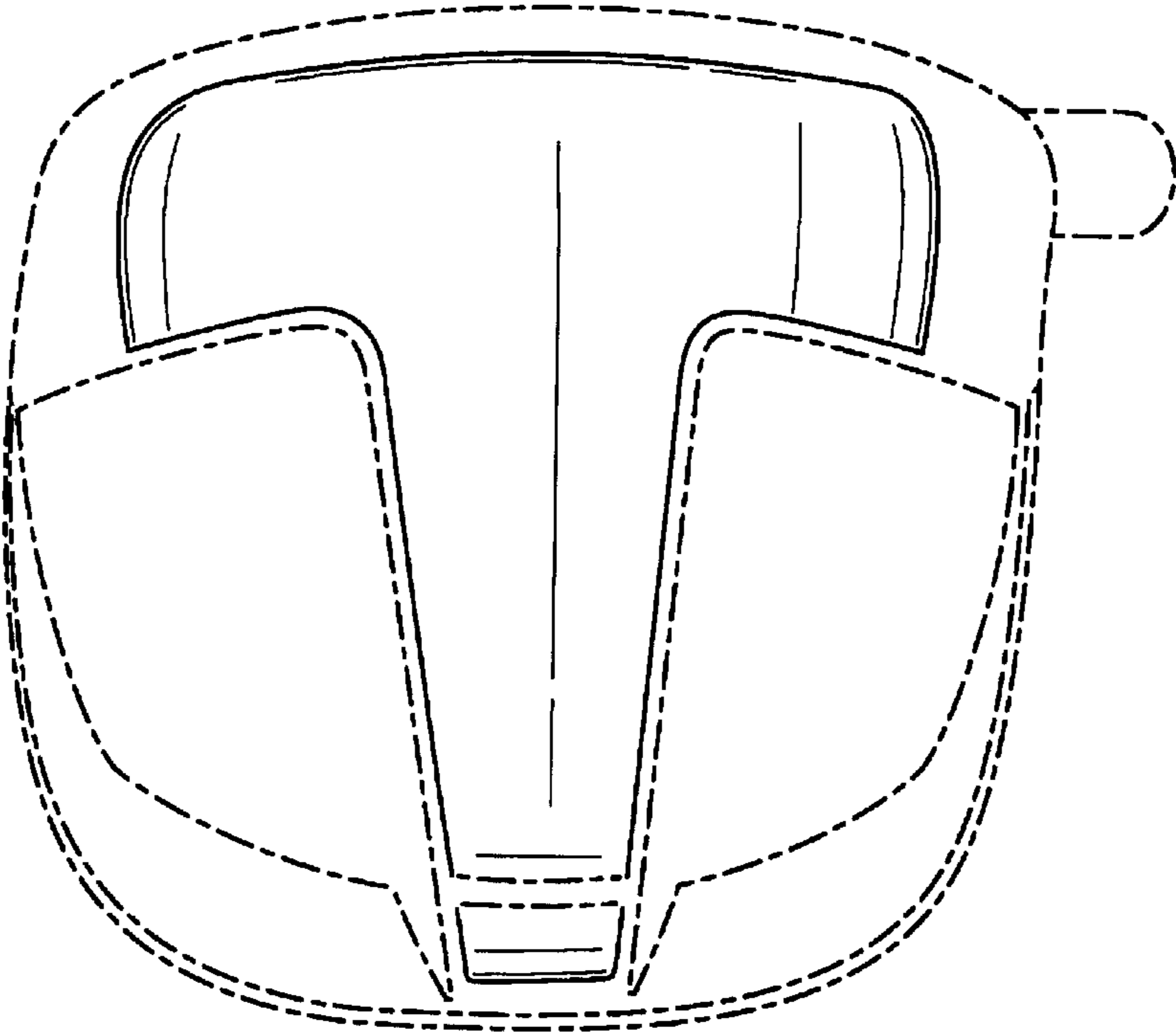


FIG. 2

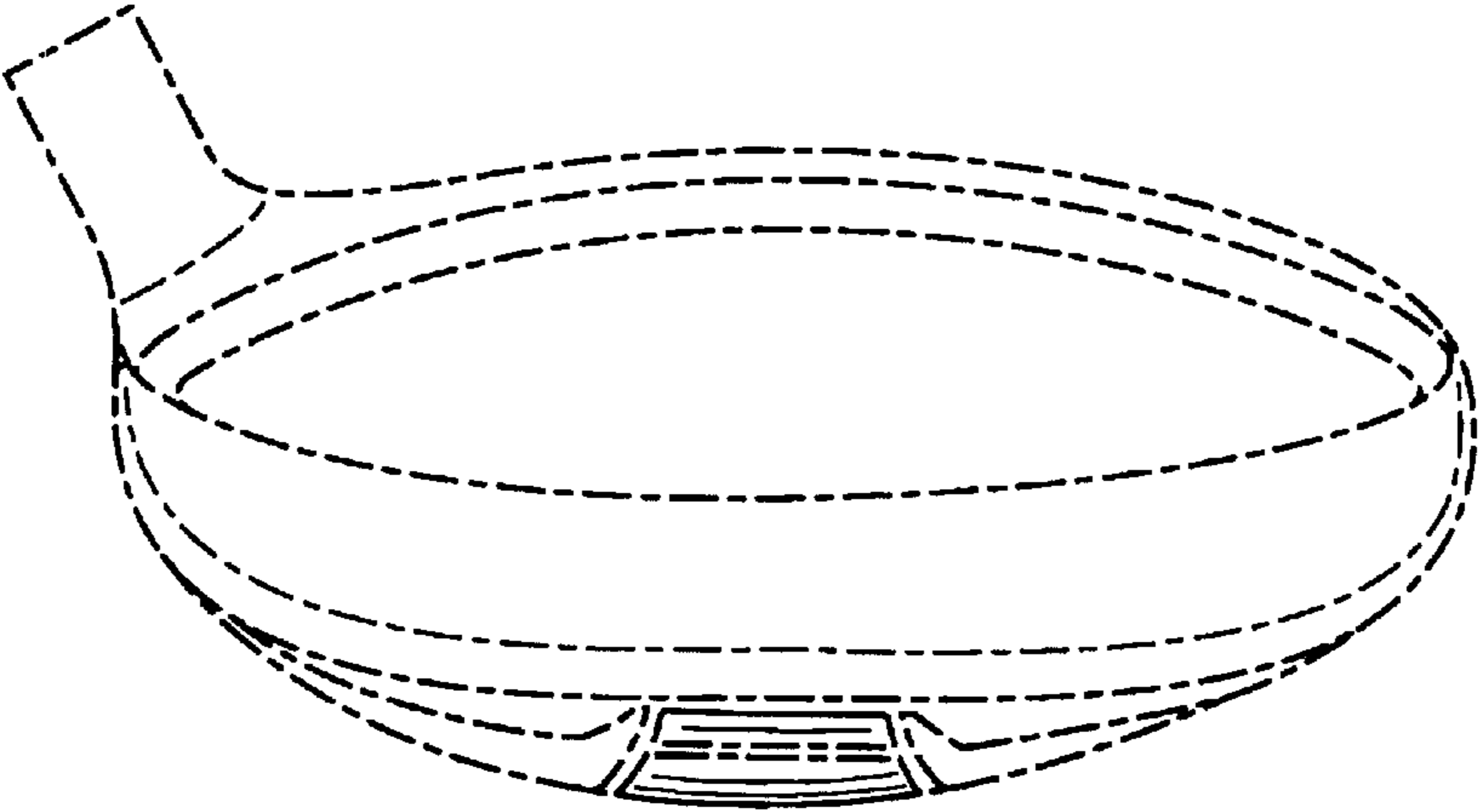


FIG. 3

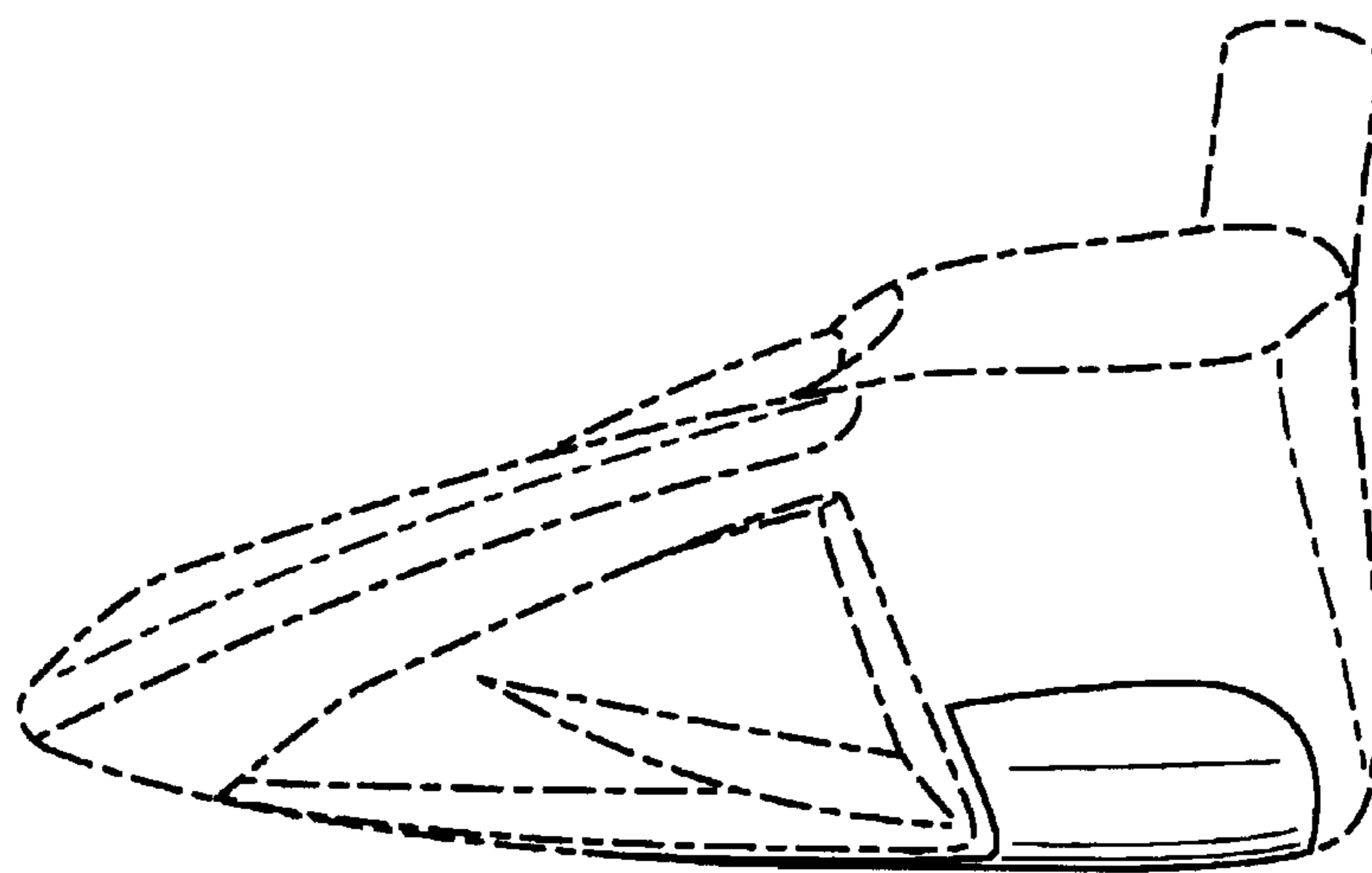


FIG. 4

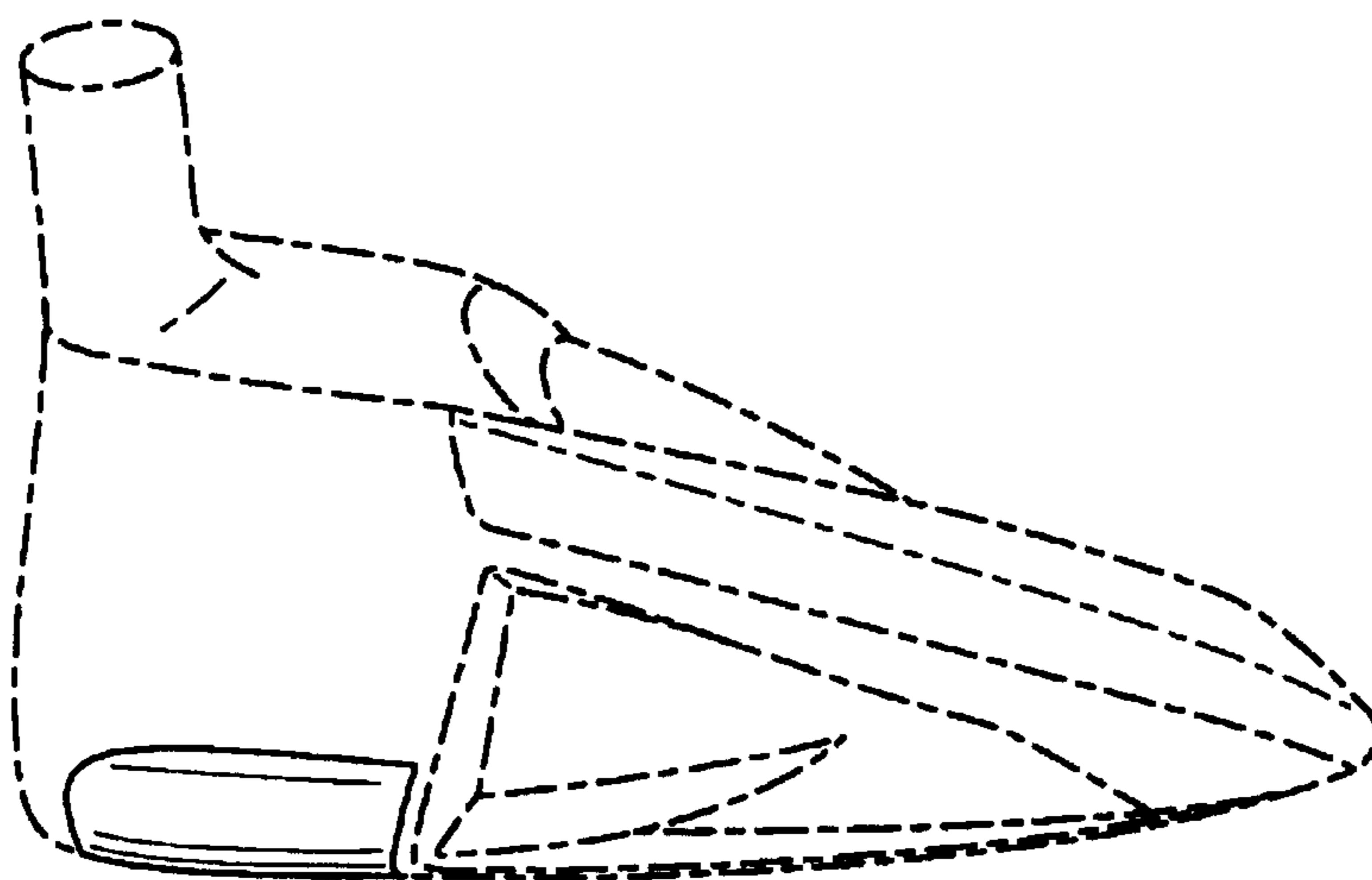


FIG. 5