

US00D544552S

(12) **United States Design Patent**
Lin

(10) **Patent No.:** **US D544,552 S**

(45) **Date of Patent:** **** Jun. 12, 2007**

(54) **BUILDING BLOCK**

(75) Inventor: **Fu-Chi Lin**, Taipei Hsien (TW)

(73) Assignee: **Youth Toy Enterprise Co. Ltd.** (TW)

(**) Term: **14 Years**

(21) Appl. No.: **29/232,288**

(22) Filed: **Jun. 17, 2005**

(51) **LOC (8) Cl.** **21-01**

(52) **U.S. Cl.** **D21/505**

(58) **Field of Classification Search** D21/483,
D21/484-485, 489-493, 500-505; D25/113-118;
446/85, 101-128, 69; 434/403

See application file for complete search history.

(56) **References Cited**

U.S. PATENT DOCUMENTS

4,171,590	A *	10/1979	Fischer	446/122
4,377,916	A *	3/1983	Komiya	446/487
4,392,323	A *	7/1983	Rubik	446/487
4,484,406	A *	11/1984	Matsumoto et al.	446/487
D313,437	S *	1/1991	Andersen	D21/505
5,019,010	A *	5/1991	Nikaido et al.	446/487
5,035,666	A *	7/1991	Kang	446/118
5,746,638	A *	5/1998	Shiraishi	446/92

6,034,821	A *	3/2000	Schenfeld et al.	359/618
6,679,780	B1 *	1/2004	Shih	273/157 R
D505,164	S *	5/2005	McCabe	D21/505
2005/0191932	A1 *	9/2005	Lin	446/85

* cited by examiner

Primary Examiner—Holly H. Baynham

Assistant Examiner—Cynthia M. Chin

(57) **CLAIM**

The ornamental design for a building block, as shown and described.

DESCRIPTION

FIG. 1 is a perspective view of a building block;

FIG. 2 is a front elevation thereof;

FIG. 3 is a rear elevation thereof;

FIG. 4 is a left side elevation thereof;

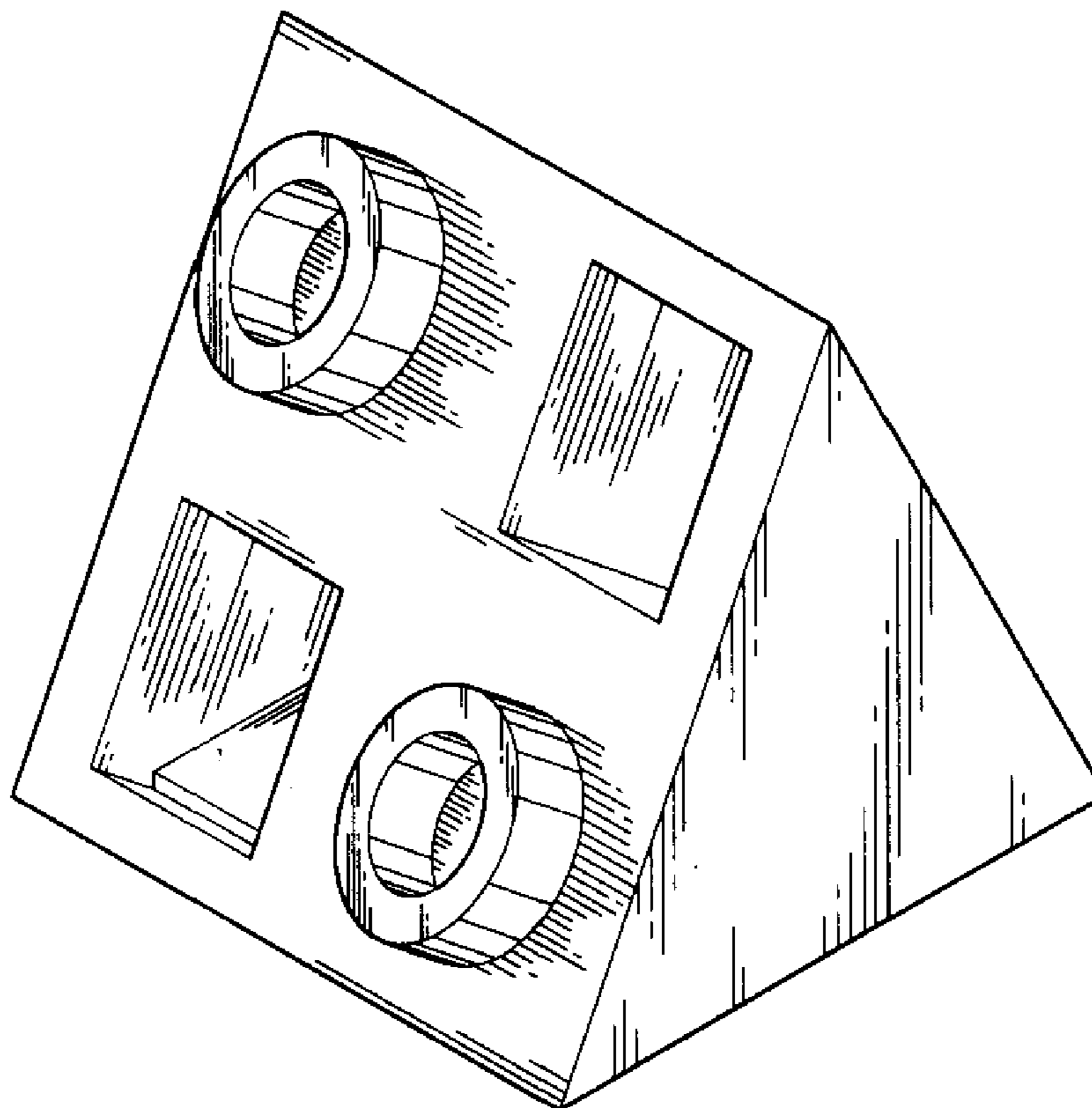
FIG. 5 is a right side elevation thereof;

FIG. 6 is a top plan view thereof;

FIG. 7 is a bottom view thereof; and,

FIG. 8 is a perspective 3-D view of two identical building blocks placing next to each other.

1 Claim, 5 Drawing Sheets



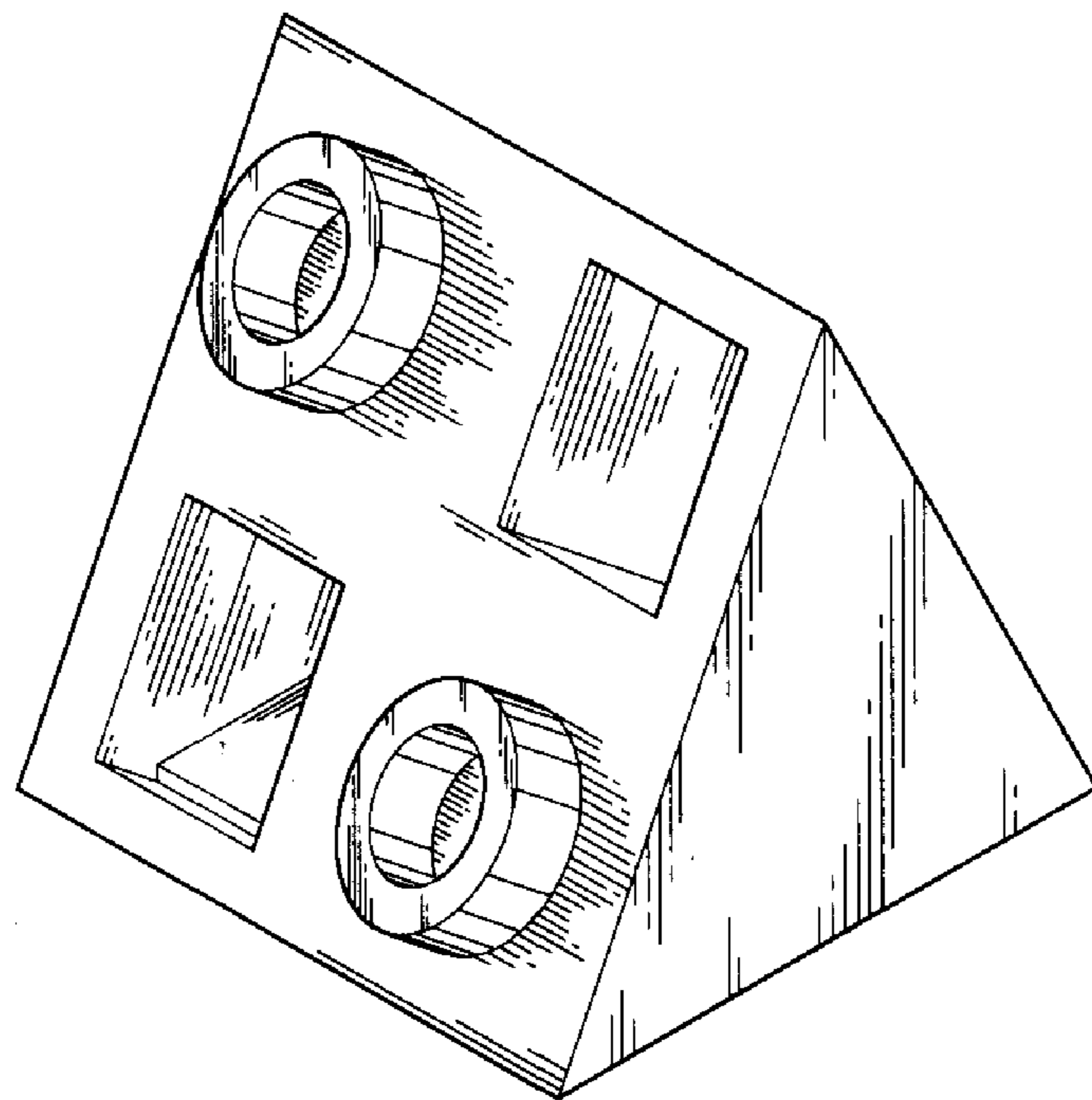


Fig. 1

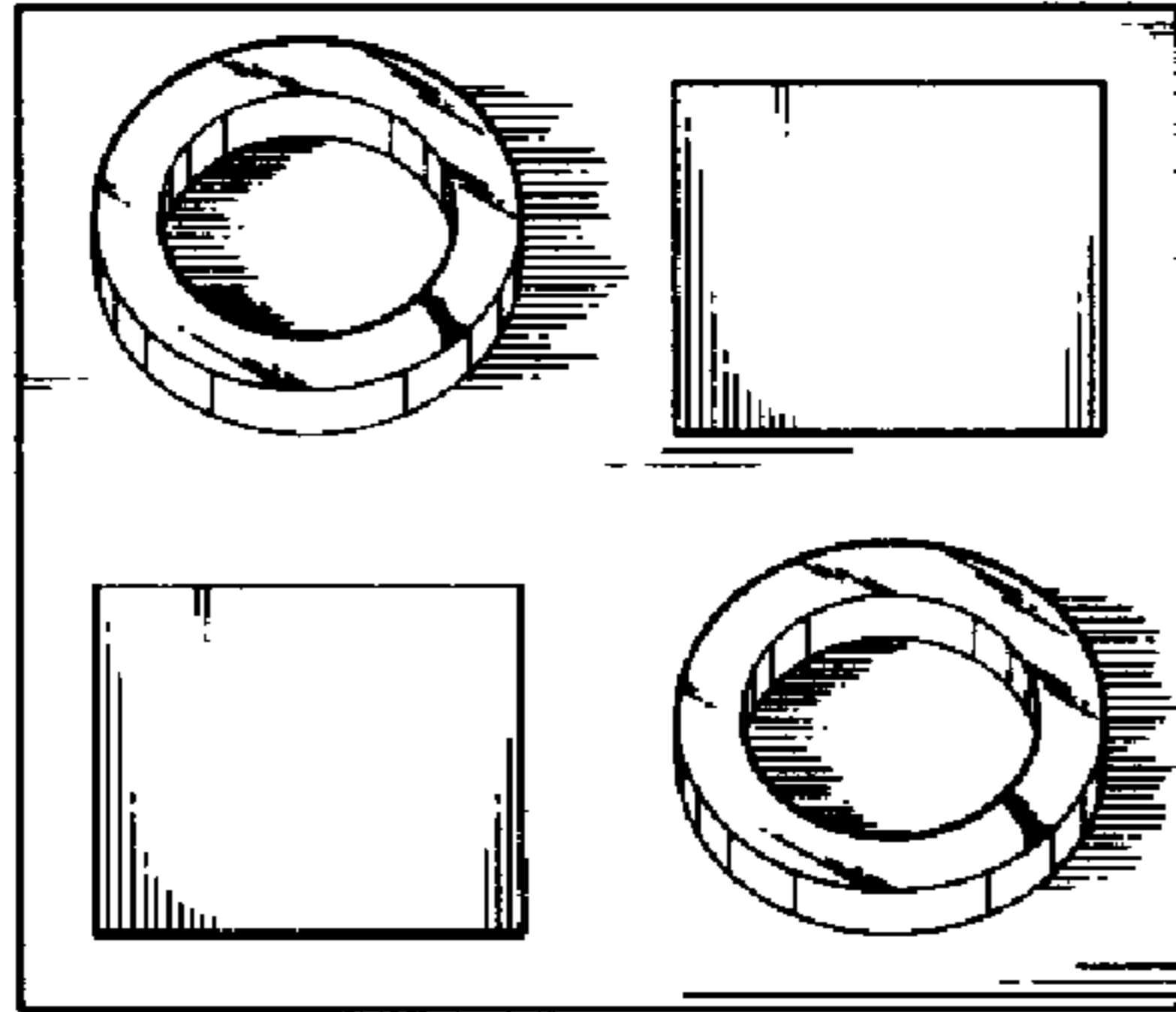


Fig. 2

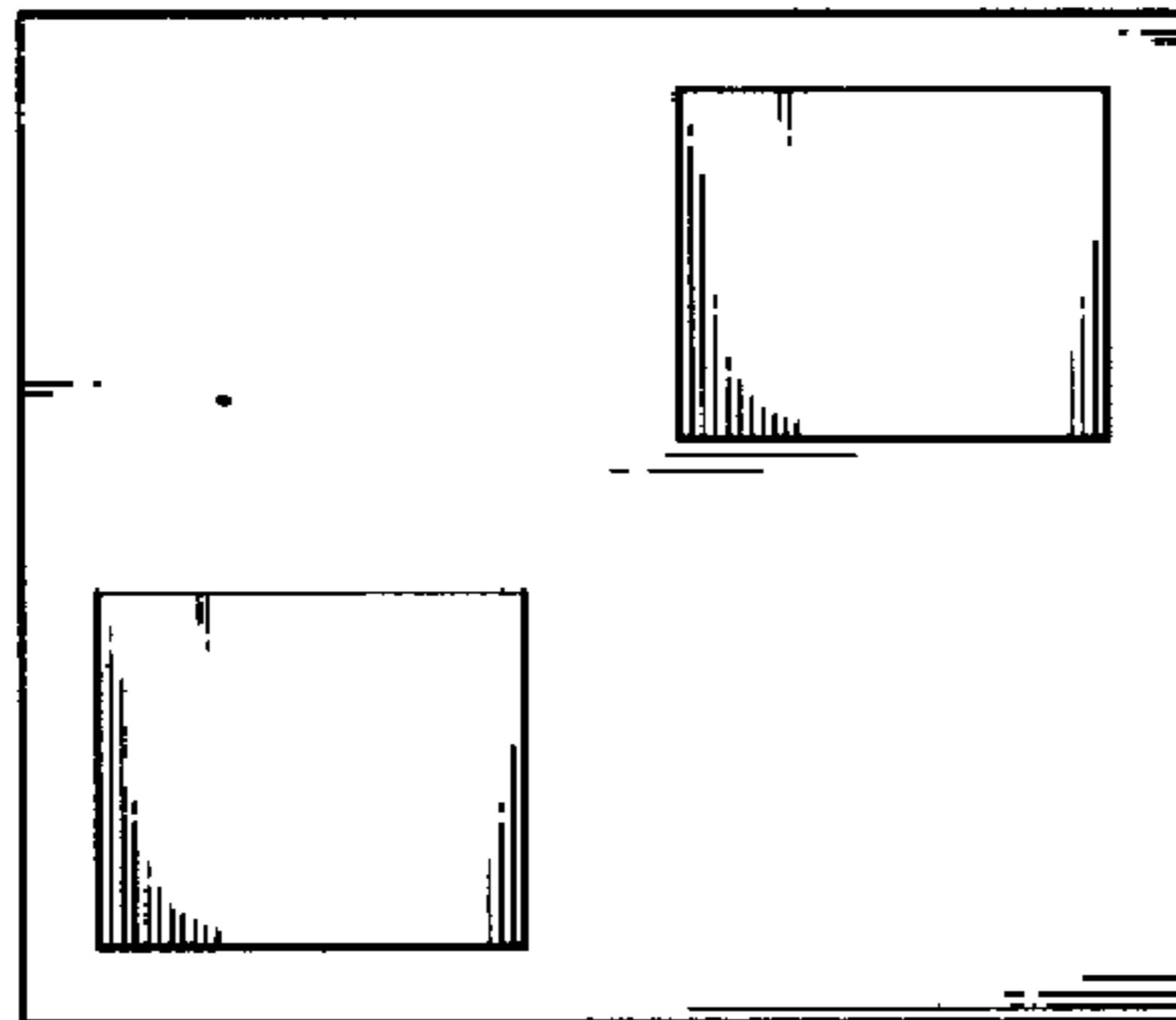


Fig. 3

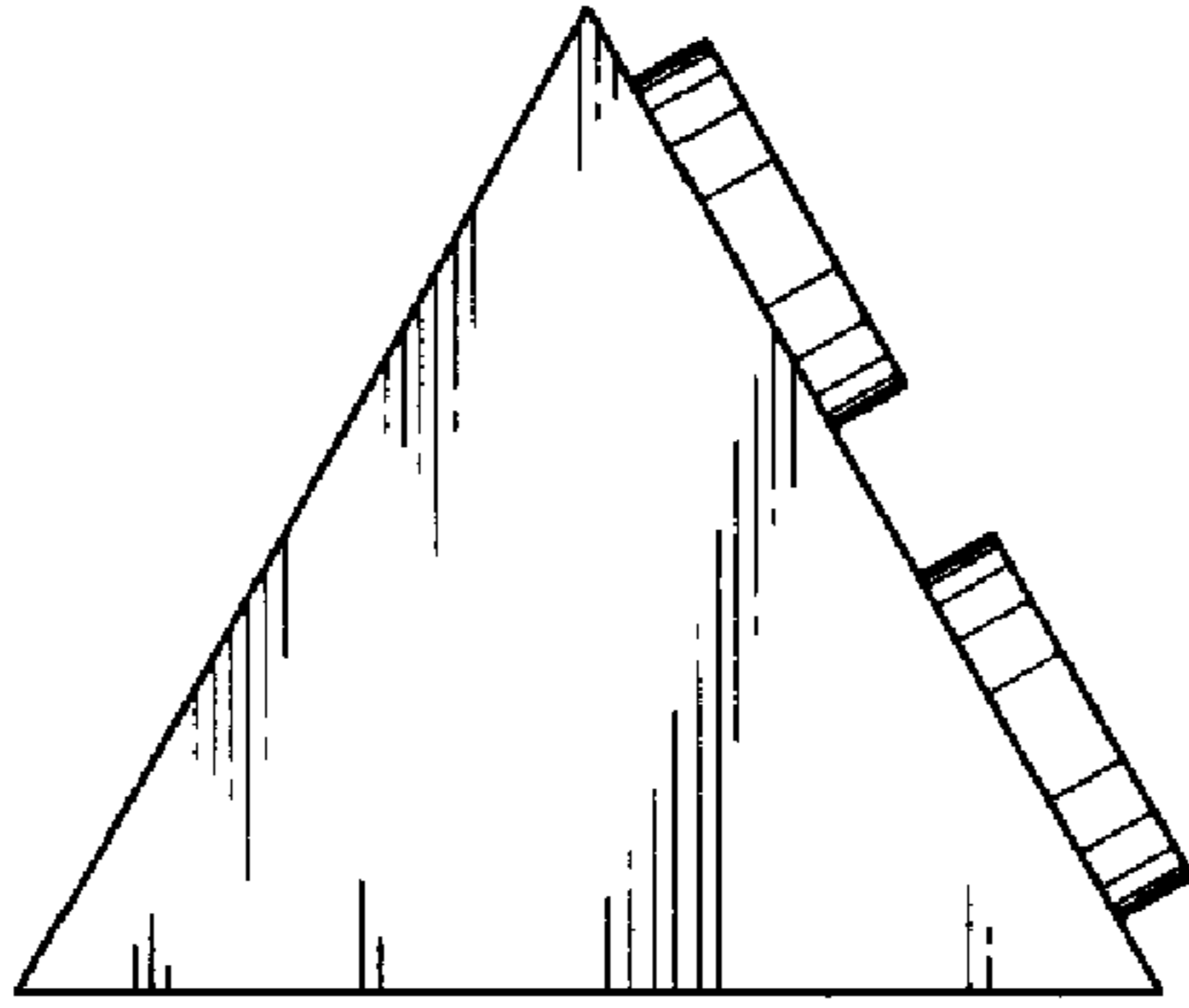


Fig. 4

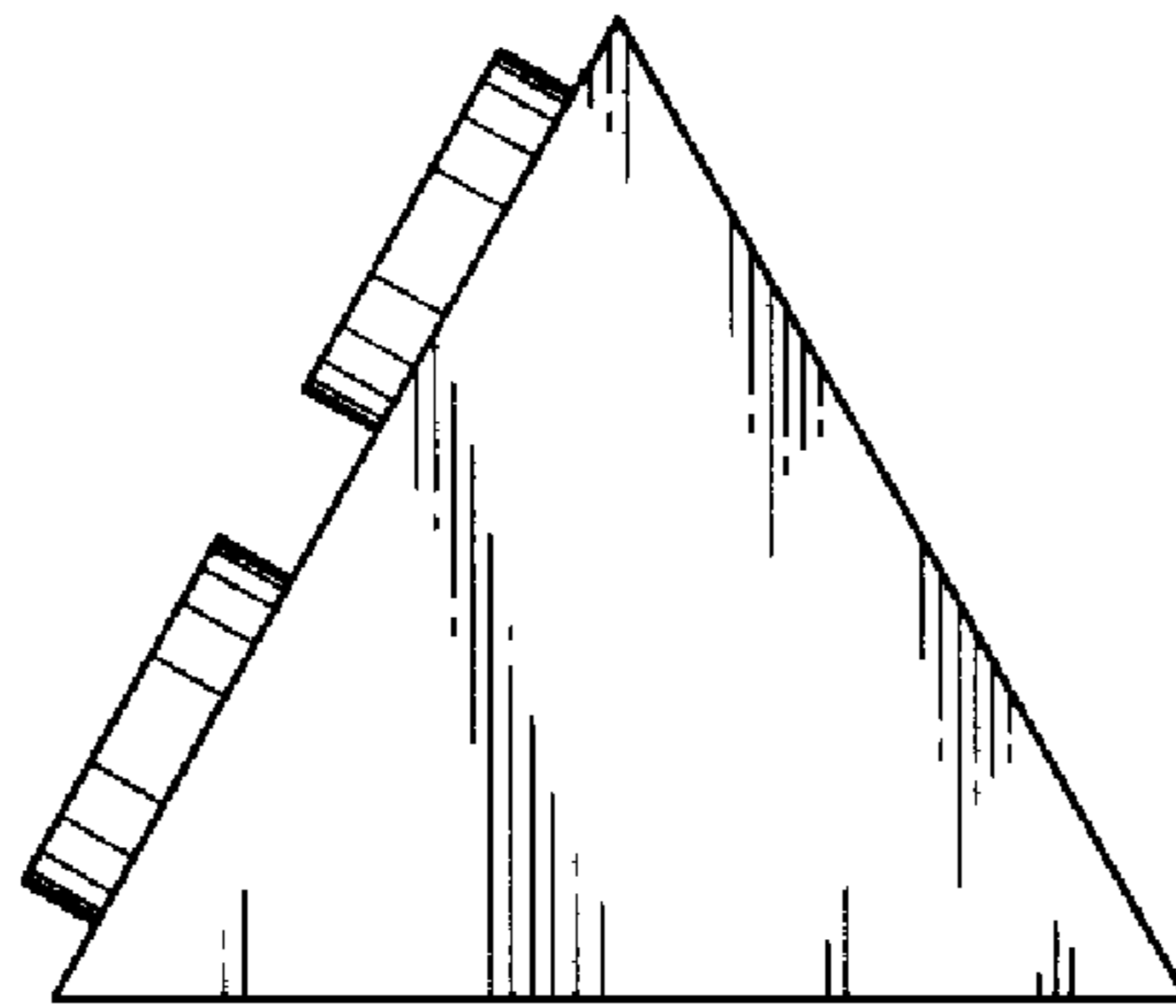


Fig. 5

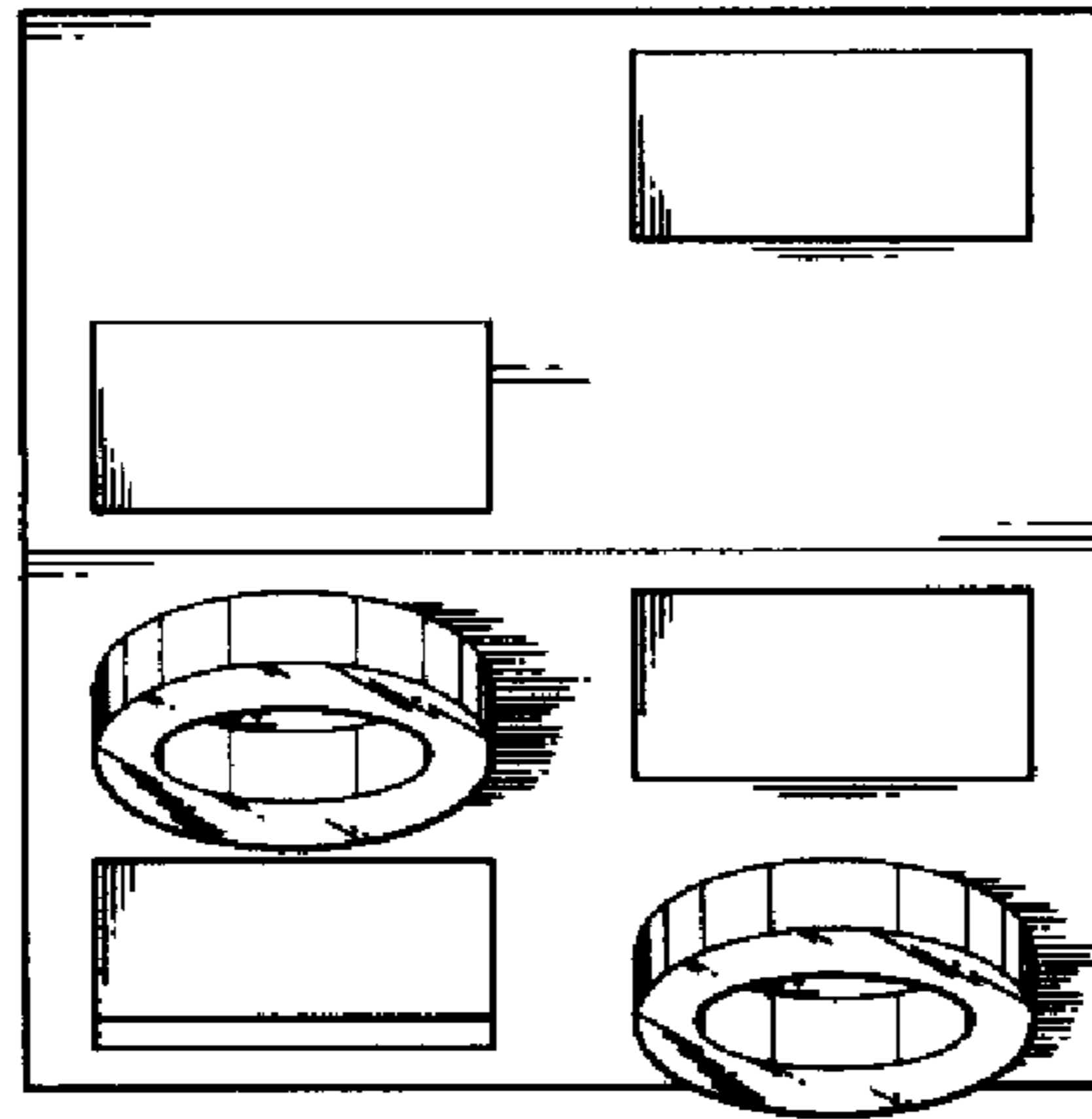


Fig. 6

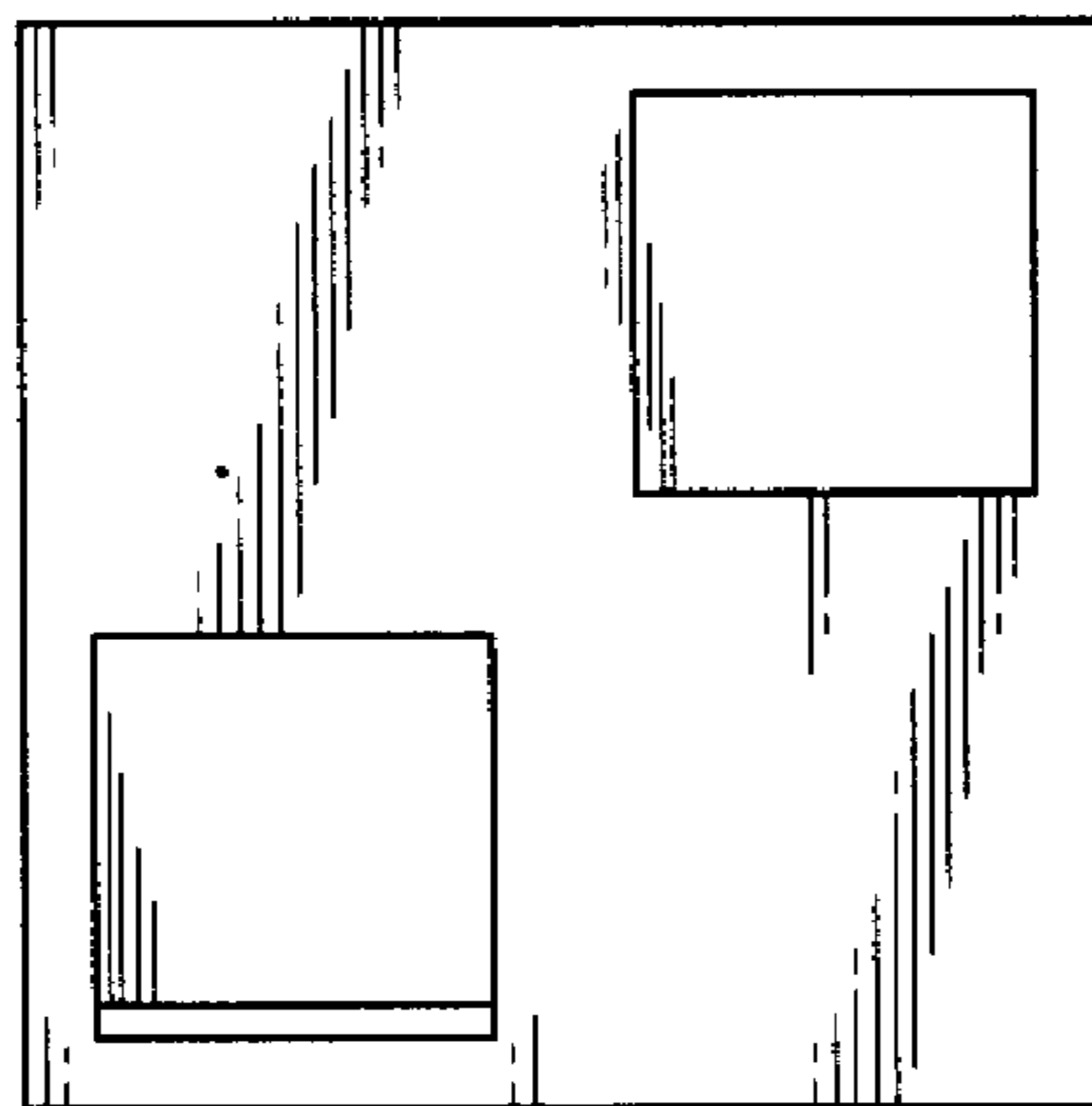


Fig. 7

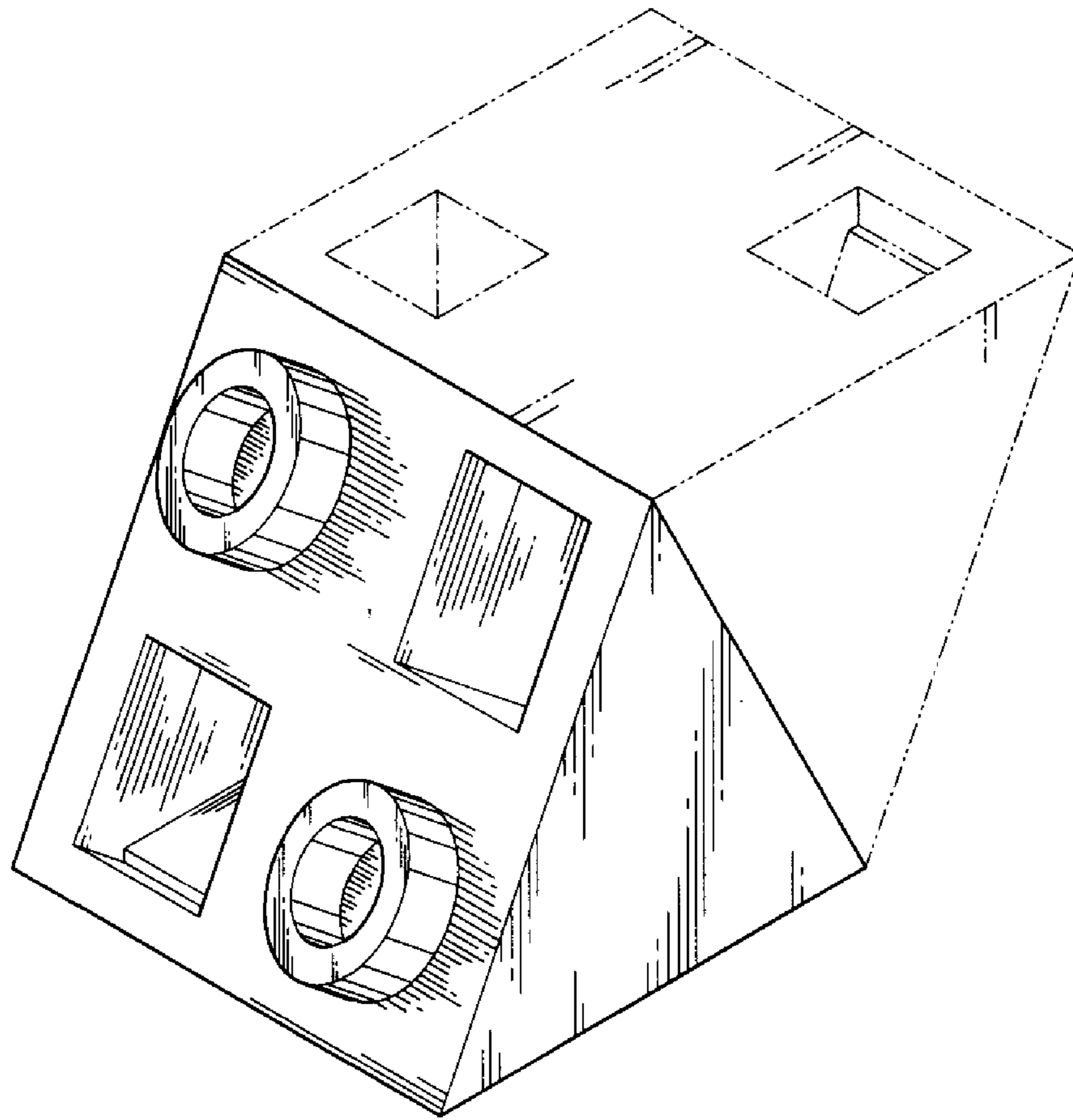


Fig. 8