



US00D544548S

(12) **United States Design Patent**  
**Miller**

(10) **Patent No.:** **US D544,548 S**

(45) **Date of Patent:** **\*\* Jun. 12, 2007**

(54) **GAME APPARATUS**

(75) Inventor: **John T. Miller**, West Lafayette, IN  
(US)

(73) Assignee: **Hasbro, Inc.**, Pawtucket, RI (US)

(\*\*) Term: **14 Years**

(21) Appl. No.: **29/255,519**

(22) Filed: **Mar. 9, 2006**

(51) **LOC (8) Cl.** ..... **21-01**

(52) **U.S. Cl.** ..... **D21/337; D21/342**

(58) **Field of Classification Search** ..... **D21/334-368;**  
**273/236-285**

See application file for complete search history.

(56) **References Cited**

**U.S. PATENT DOCUMENTS**

2,436,273	A *	2/1948	Solomon	.....	273/139
2,794,641	A	6/1957	Baker et al.		
3,082,004	A *	3/1963	Friedman	.....	273/239
3,149,842	A	9/1964	Cirrincone		
3,514,110	A	5/1970	Thomander		
3,565,436	A	2/1971	Opmeer		
4,319,754	A *	3/1982	Yaworsky	.....	273/241
4,381,112	A *	4/1983	Dupuy	.....	273/239
4,432,554	A *	2/1984	Beamon et al.	.....	273/272
4,801,148	A	1/1989	Lamb		

5,284,346	A *	2/1994	Reinhardt et al.	.....	273/237
5,401,031	A	3/1995	Kuna et al.		
D385,585	S *	10/1997	Sedlmeyer	.....	D21/365

\* cited by examiner

*Primary Examiner*—Sandra L. Morris

(74) *Attorney, Agent, or Firm*—Perry Hoffman

(57) **CLAIM**

The ornamental design for a game apparatus, as shown and described.

**DESCRIPTION**

FIG. 1 is a perspective view of the portable game assembly of the instant invention;

FIG. 2 is a top plan view thereof;

FIG. 3 is a bottom plan view thereof;

FIG. 4 is a left side elevational view thereof;

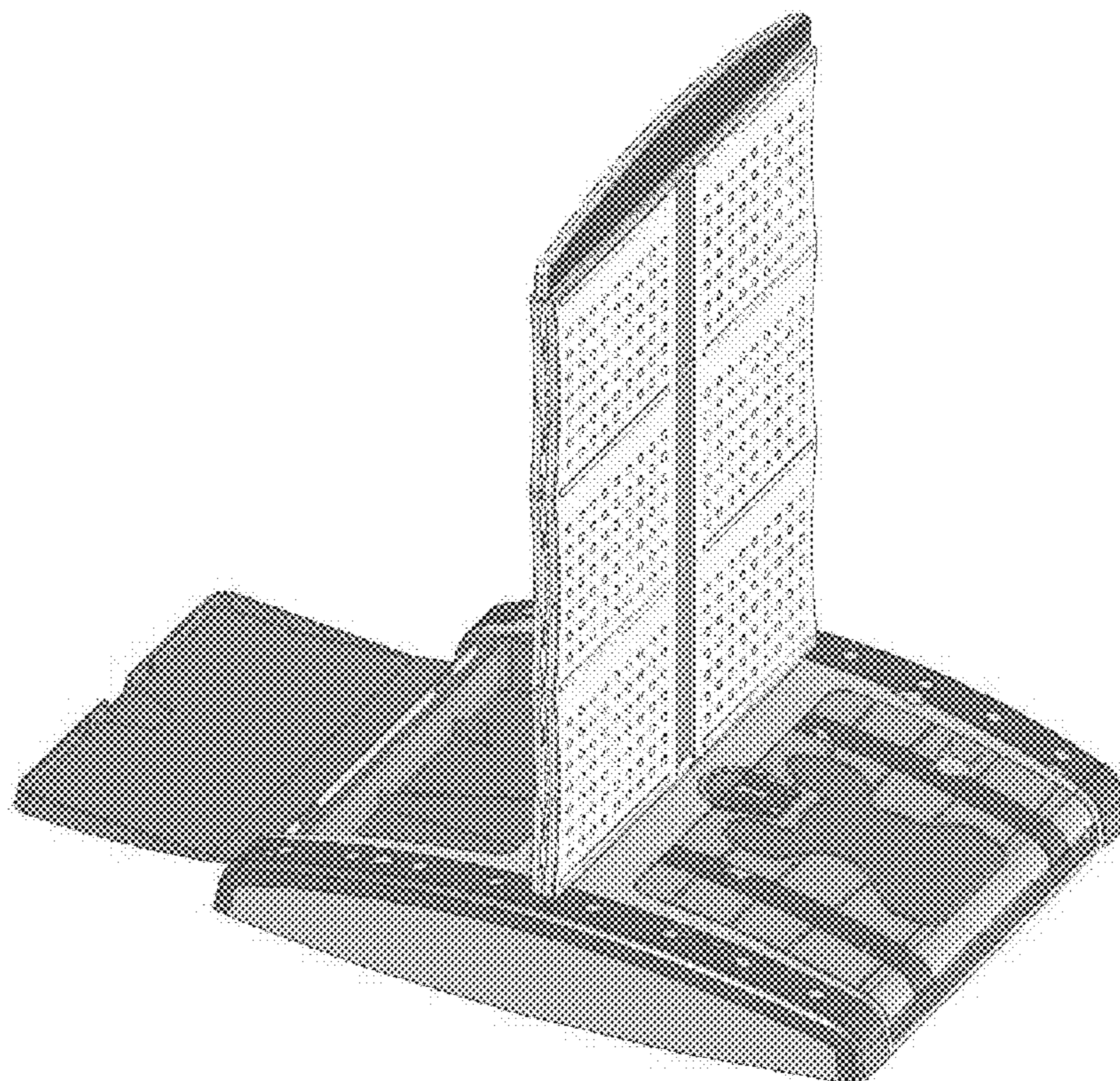
FIG. 5 is a right side elevational view thereof;

FIG. 6 is a rear elevational view thereof; and,

FIG. 7 is a front elevational view thereof.

The portions shown in broken lines and indicia are for illustrative purposes only; and form no part of the claimed design.

**1 Claim, 7 Drawing Sheets**



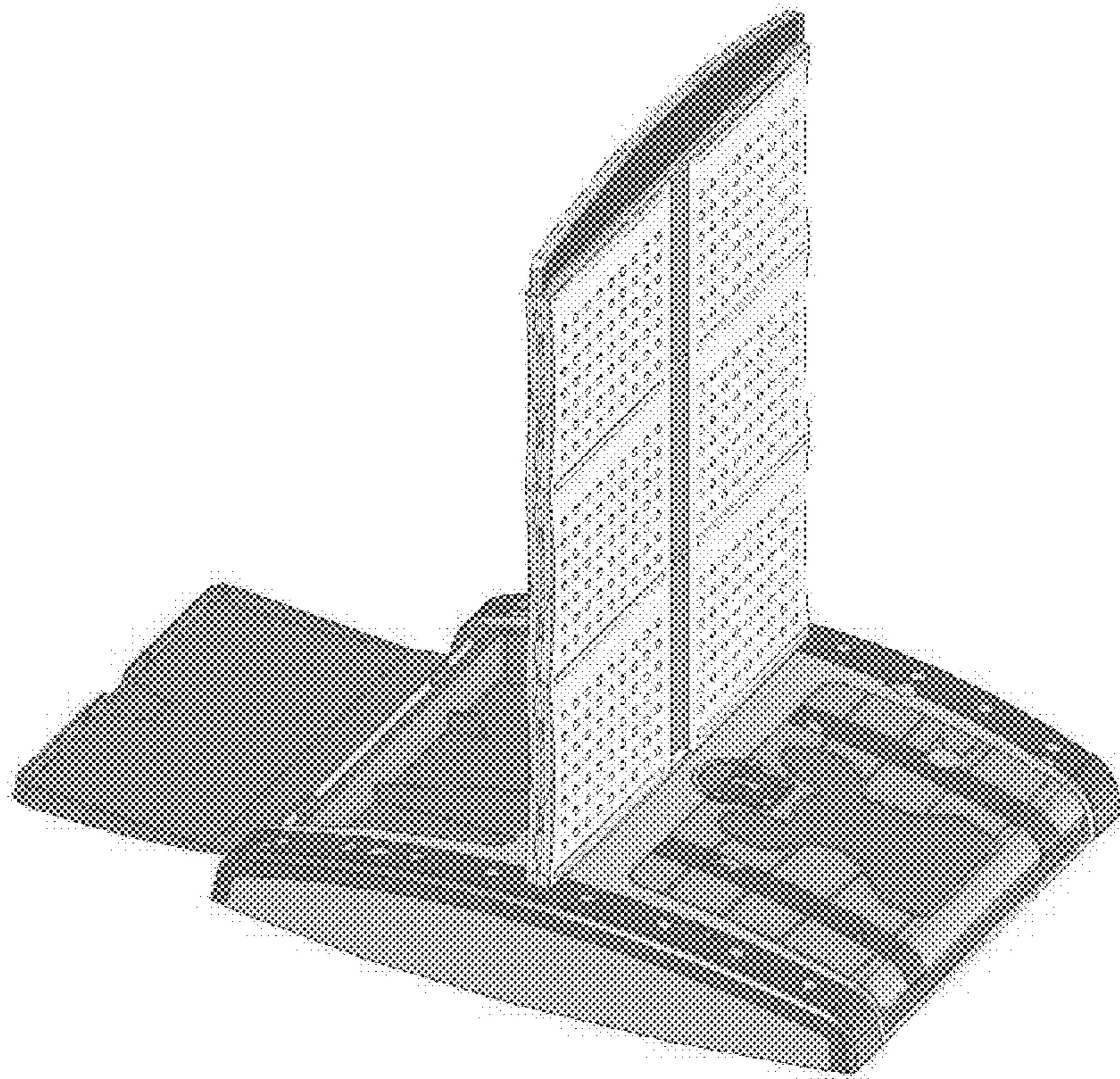


FIG. 1

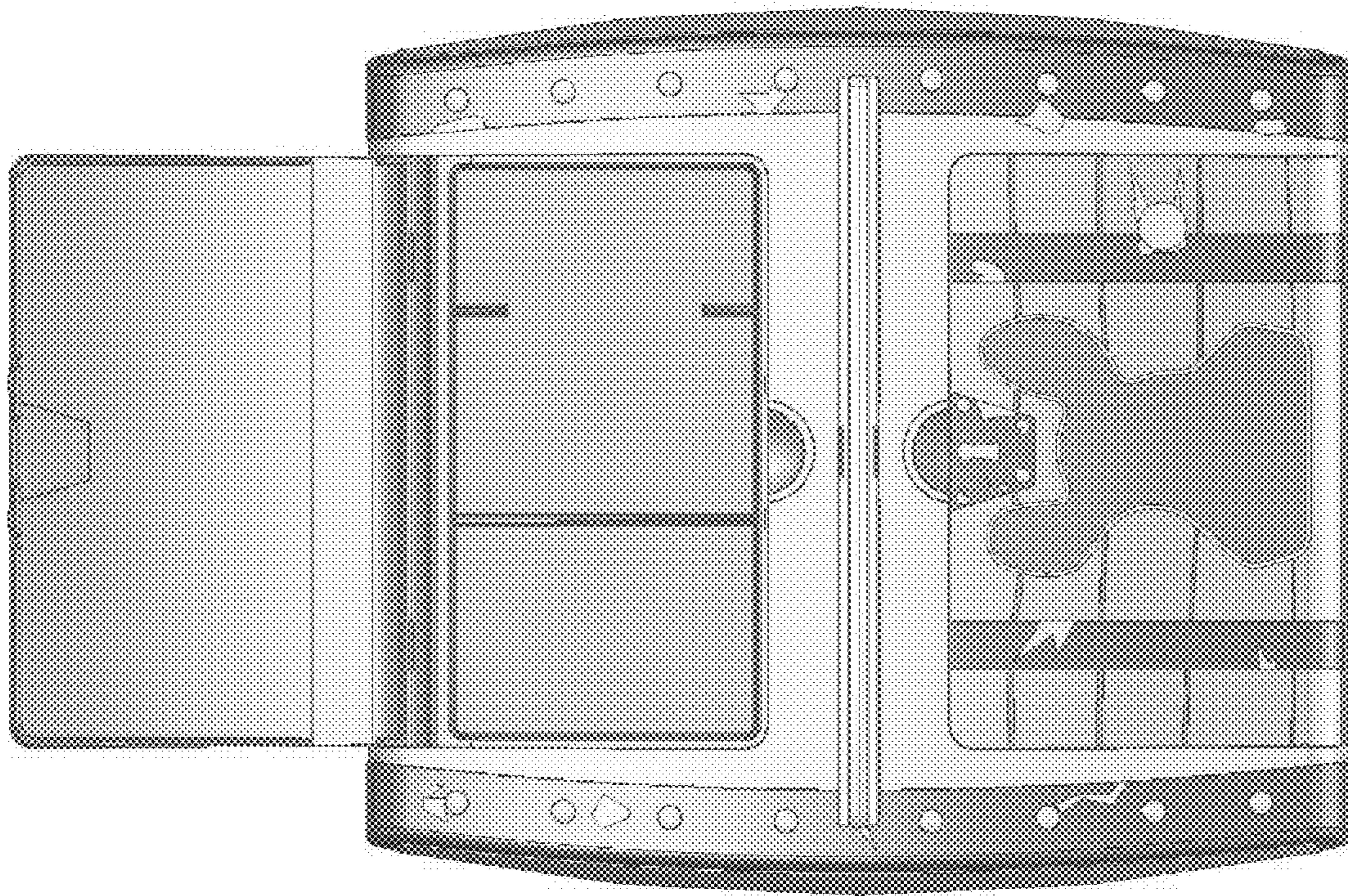


FIG. 2

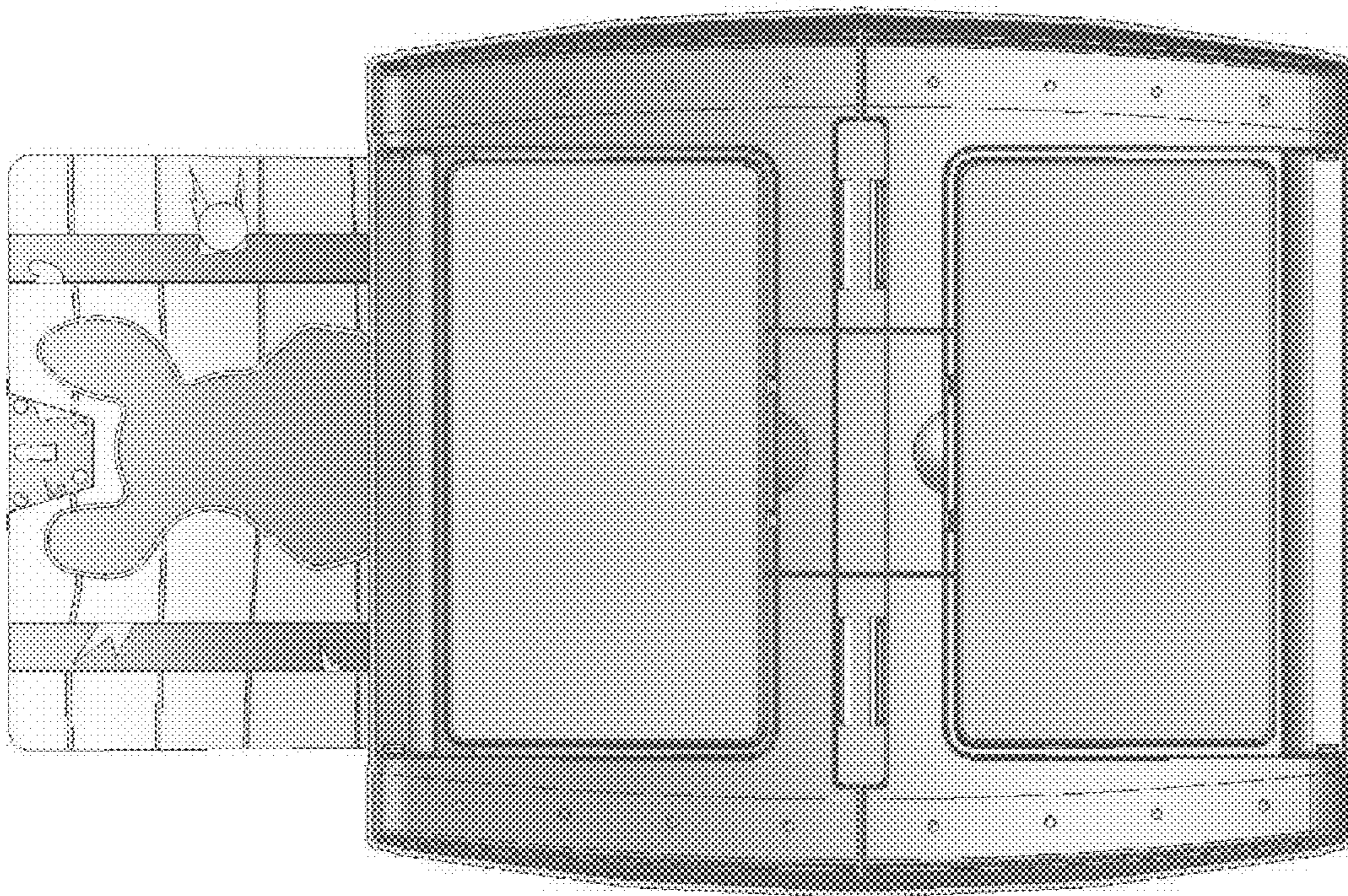
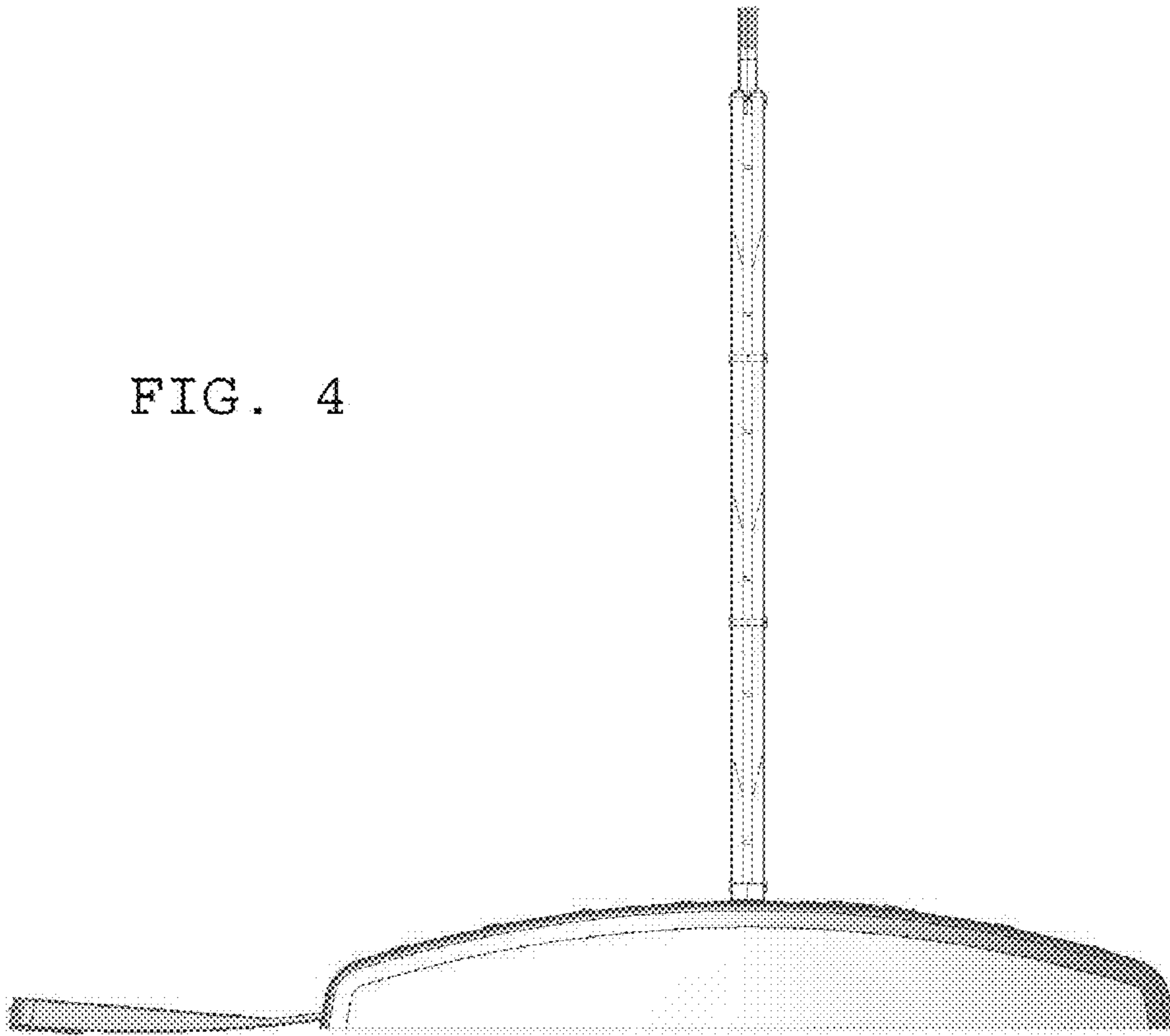


FIG. 3

FIG. 4



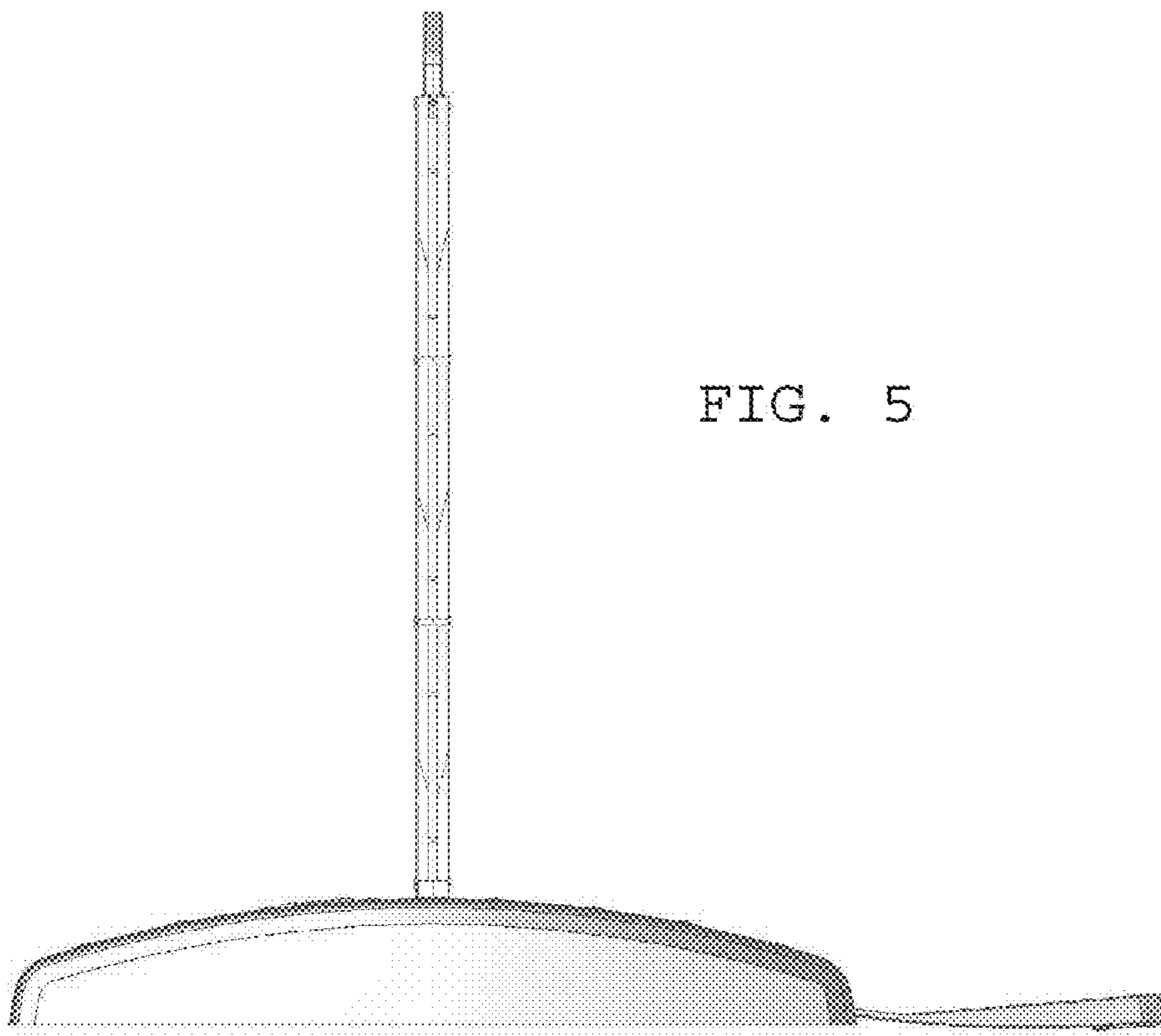


FIG. 5

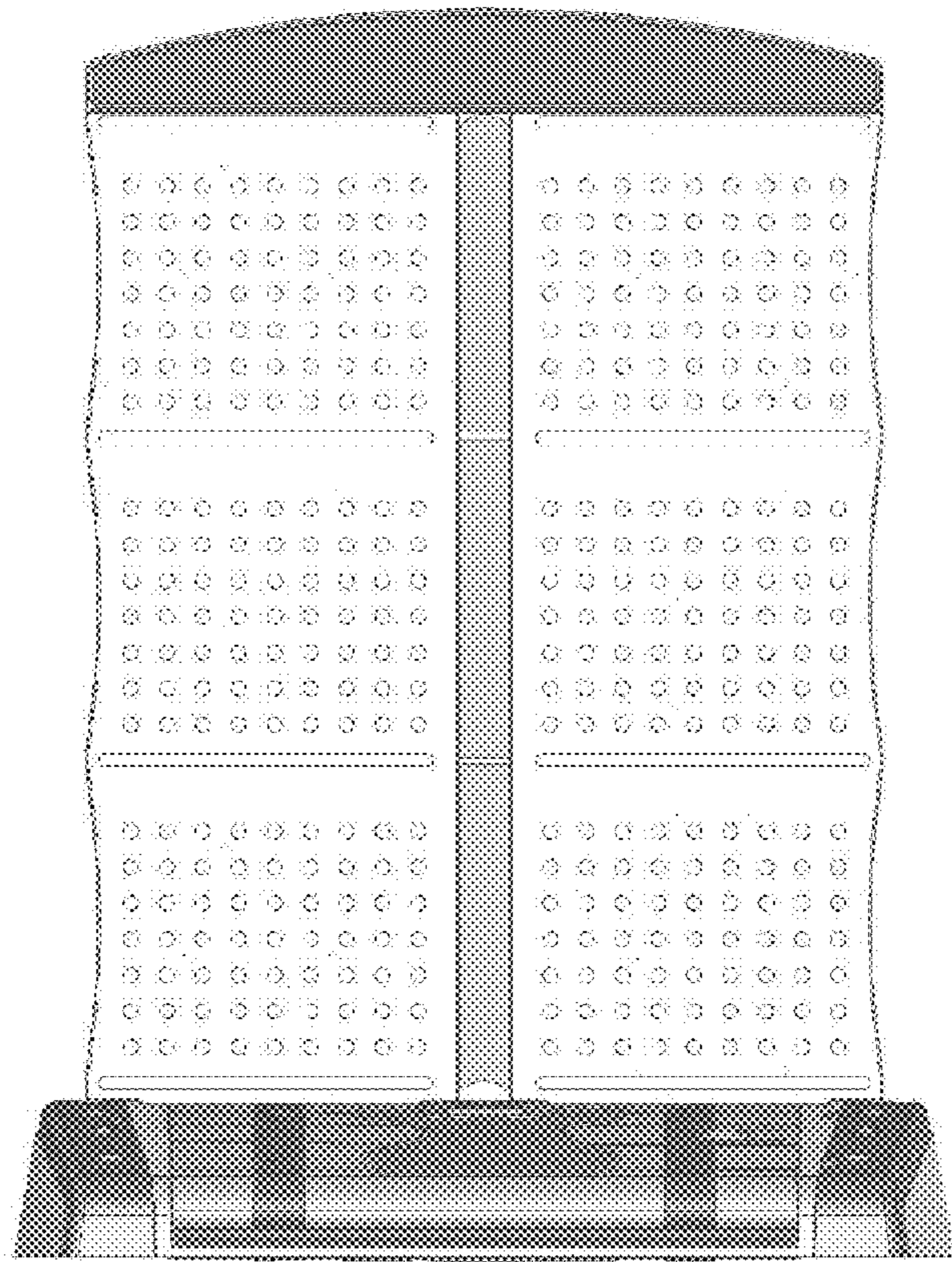


FIG. 6

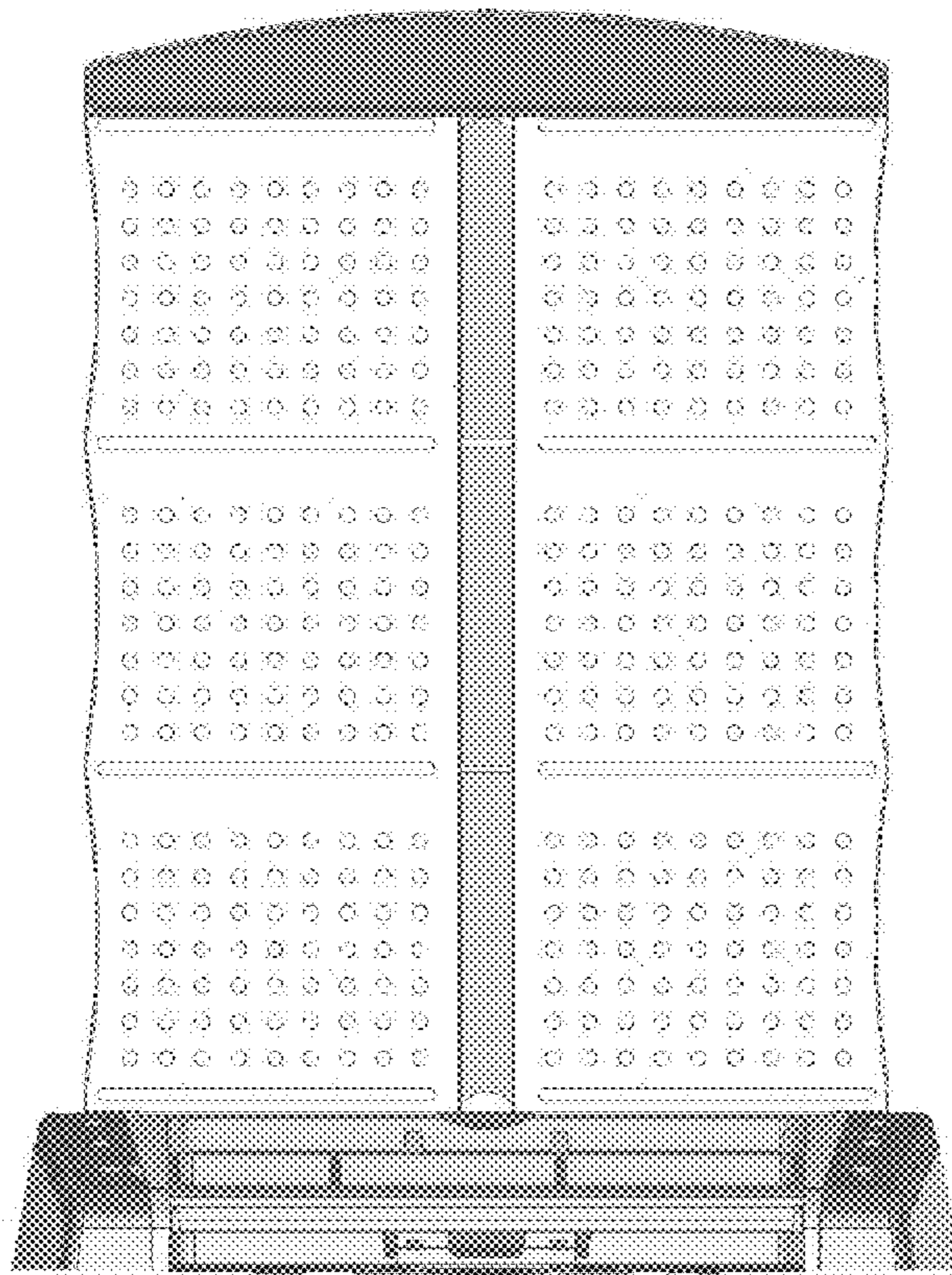


FIG. 7