

US00D544547S

(12) **United States Design Patent**
Solland

(10) **Patent No.:** **US D544,547 S**

(45) **Date of Patent:** **** Jun. 12, 2007**

(54) **AUDIO AND DOCKING STATION FOR
HANDHELD ELECTRONIC DEVICE**

(75) Inventor: **Kurt Solland**, Westlake Village, CA
(US)

(73) Assignee: **Harman International Industries,
Incorporated**, Northridge, CA (US)

(**) Term: **14 Years**

(21) Appl. No.: **29/245,009**

(22) Filed: **Dec. 16, 2005**

(51) **LOC (8) Cl.** **21-01**

(52) **U.S. Cl.** **D21/333; D14/434**

(58) **Field of Classification Search** D21/324-333;
D14/496, 434, 432; 273/148 B, 148 A; 463/1,
463/29-35, 46, 47; 345/156-161; 361/681,
361/686, 679-683

See application file for complete search history.

(56) **References Cited**

U.S. PATENT DOCUMENTS

D195,514 S	6/1963	Erickson	
D358,364 S	5/1995	Siddoway	
D394,425 S	5/1998	Snyder et al.	
D447,471 S	9/2001	Andre et al.	
D459,299 S	6/2002	Hughes et al.	
D467,621 S *	12/2002	Ku	D21/333
D468,305 S	1/2003	Ma et al.	
D474,247 S *	5/2003	Miyoshi	D21/333
D480,376 S	10/2003	Ma	
D494,634 S *	8/2004	Soga	D21/333
D495,336 S *	8/2004	Andre et al.	D14/434
D495,871 S *	9/2004	Moffitt et al.	D3/215
6,912,125 B2 *	6/2005	Weng	361/686

6,934,151 B2 *	8/2005	Nakano et al.	361/686
D511,520 S *	11/2005	Hussaini et al.	D14/434
D527,005 S *	8/2006	Navarrez et al.	D14/401
7,139,168 B2 *	11/2006	DeLuga et al.	361/686
7,142,421 B2 *	11/2006	Cheng et al.	361/686

* cited by examiner

Primary Examiner—Prabhakar Deshmukh

(74) *Attorney, Agent, or Firm*—Plumsea Law Group, LLC

(57) **CLAIM**

The ornamental design for an audio and docking station for a handheld electronic device, as shown and described.

DESCRIPTION

FIG. 1 is a top plan view of an audio and docking station for a handheld electronic device showing my new design;

FIG. 2 is a front elevational view thereof;

FIG. 3 is a rear elevational view thereof;

FIG. 4 is a top plan view shown with the dock portion extended;

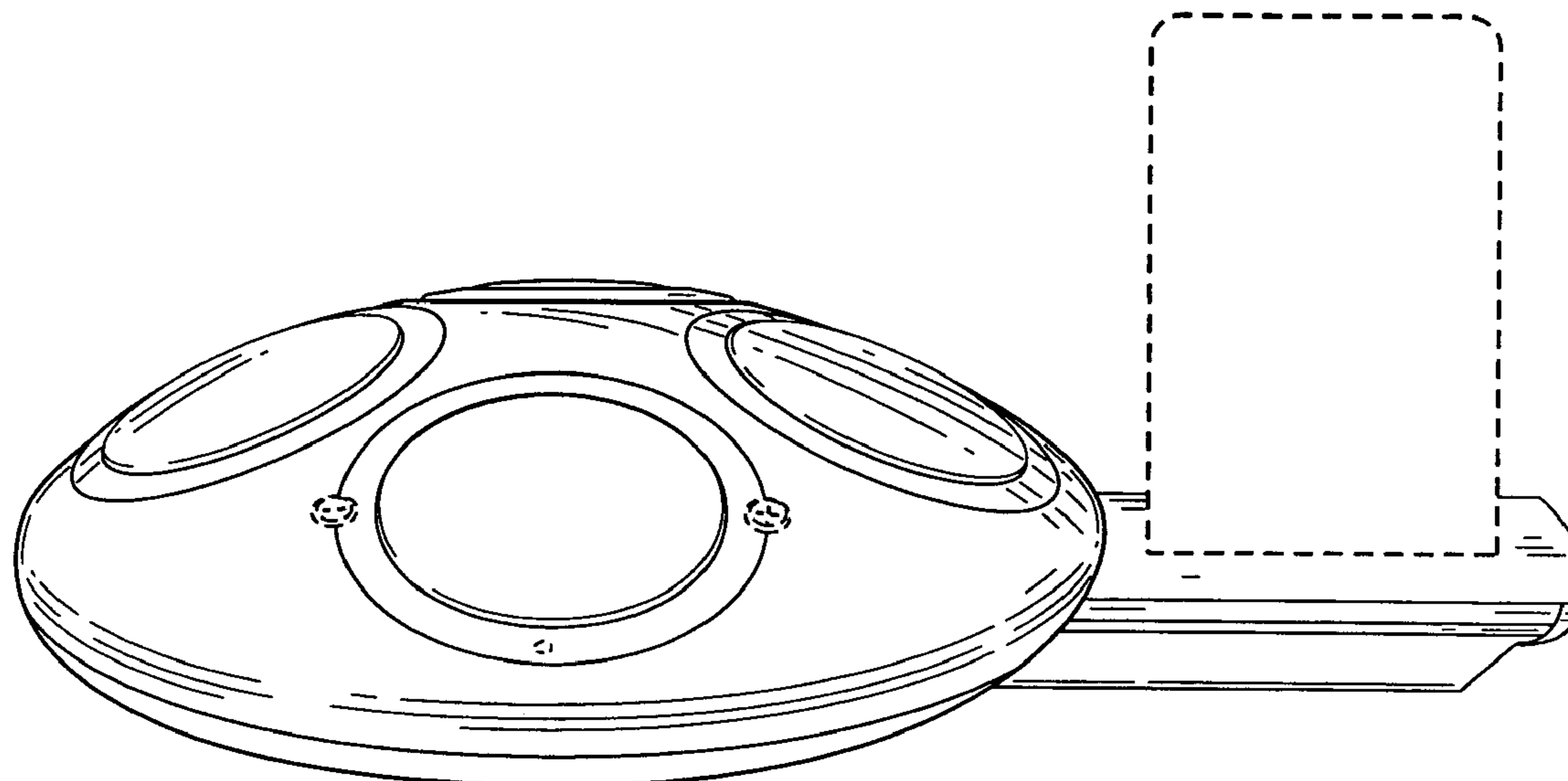
FIG. 5 is a front elevational view shown with the dock portion extended;

FIG. 6 is a rear elevational view shown with the dock portion extended; and,

FIG. 7 is a perspective view shown with the dock portion extended.

The broken line showings of the feet in all of the figures; the small circles along one of the circular features in FIGS. 1, 2, 4, 5 and 7; the ports in FIGS. 1, 3, 4, and 6; and the handheld electronic device in FIG. 7 are for illustrative purposes only and form no part of the claimed design.

1 Claim, 5 Drawing Sheets



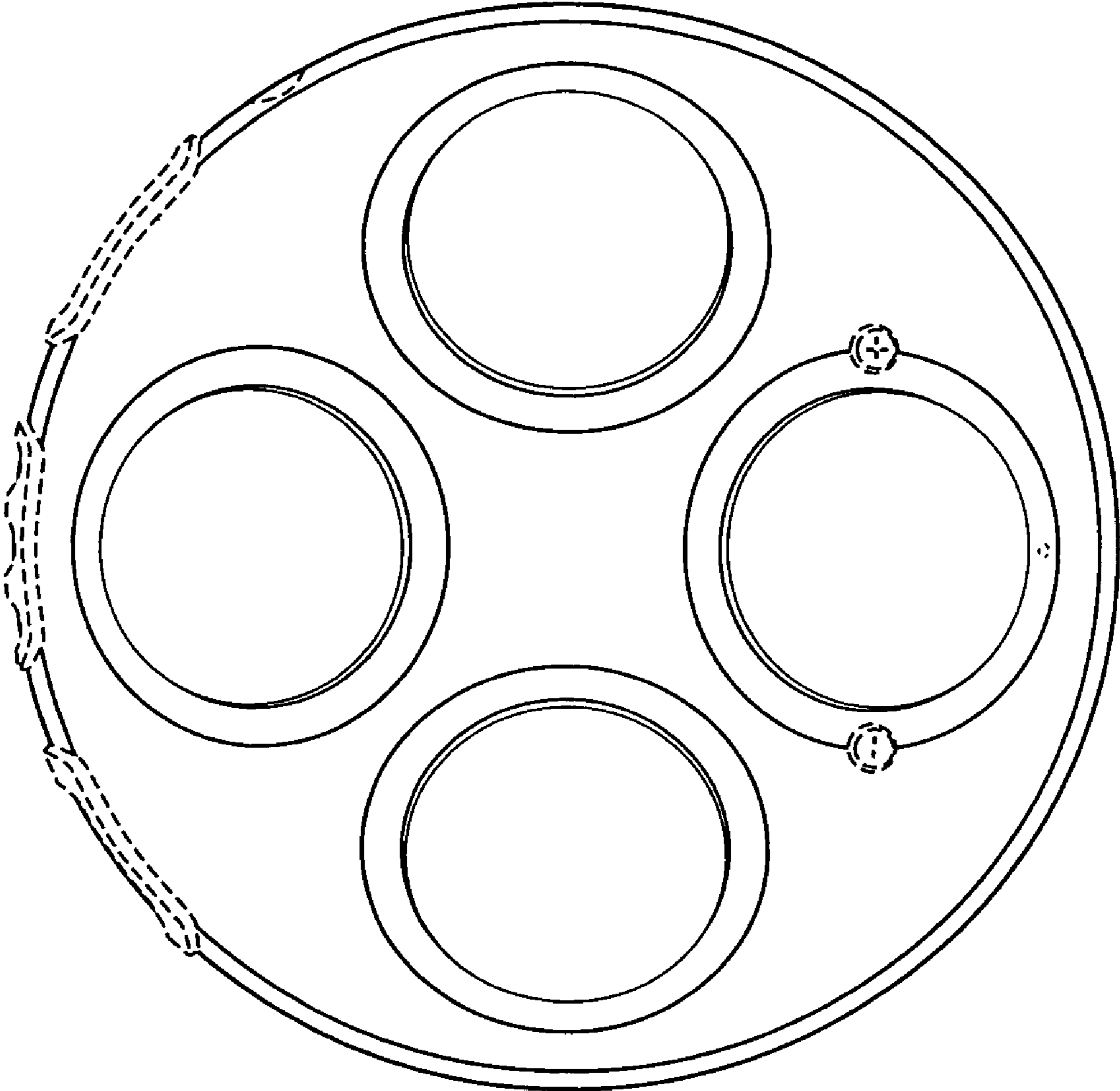


Fig. 1

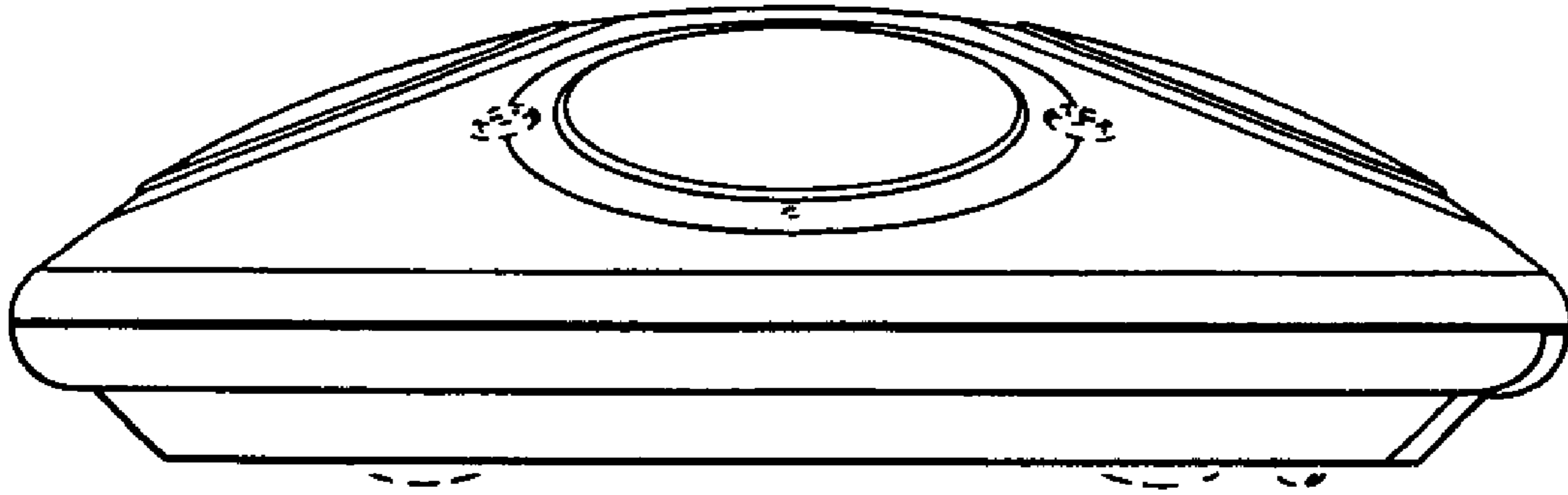


Fig. 2

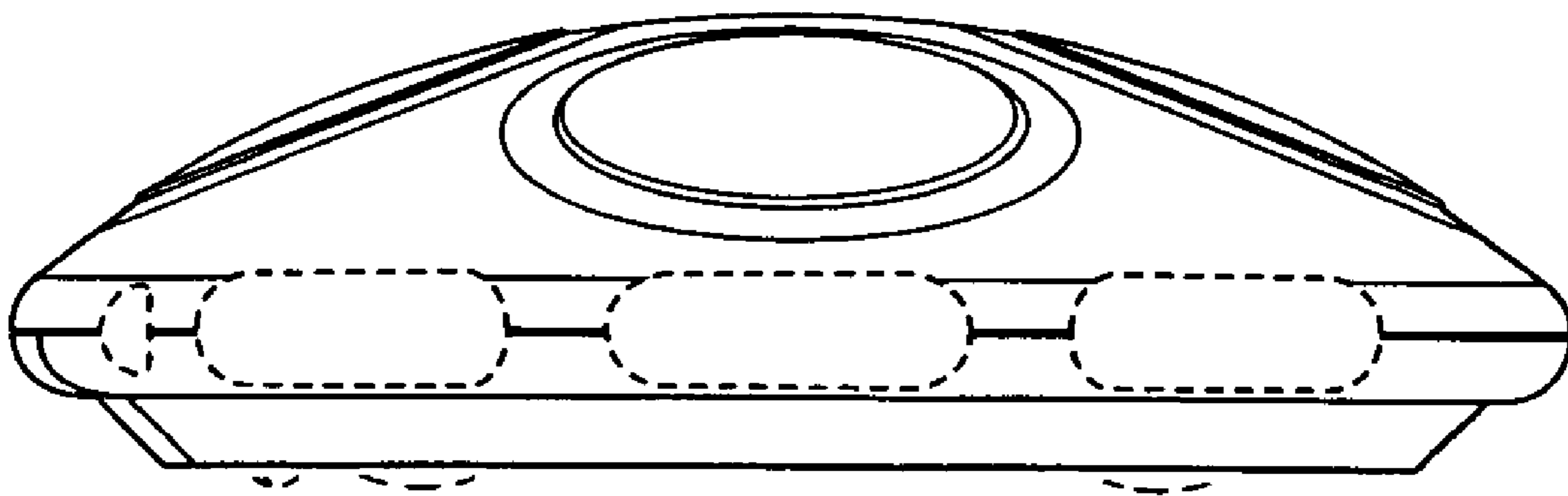


Fig. 3

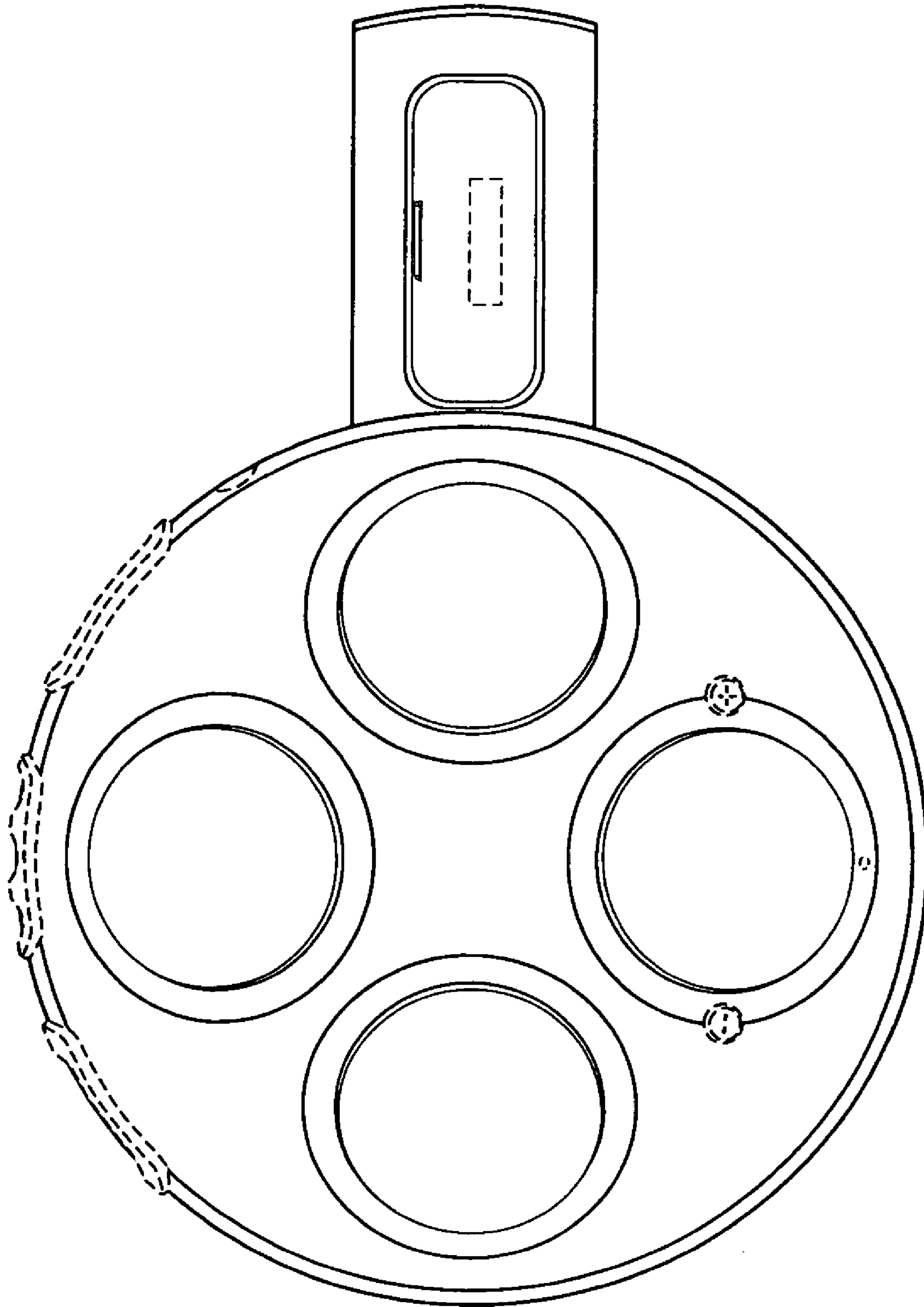


Fig. 4

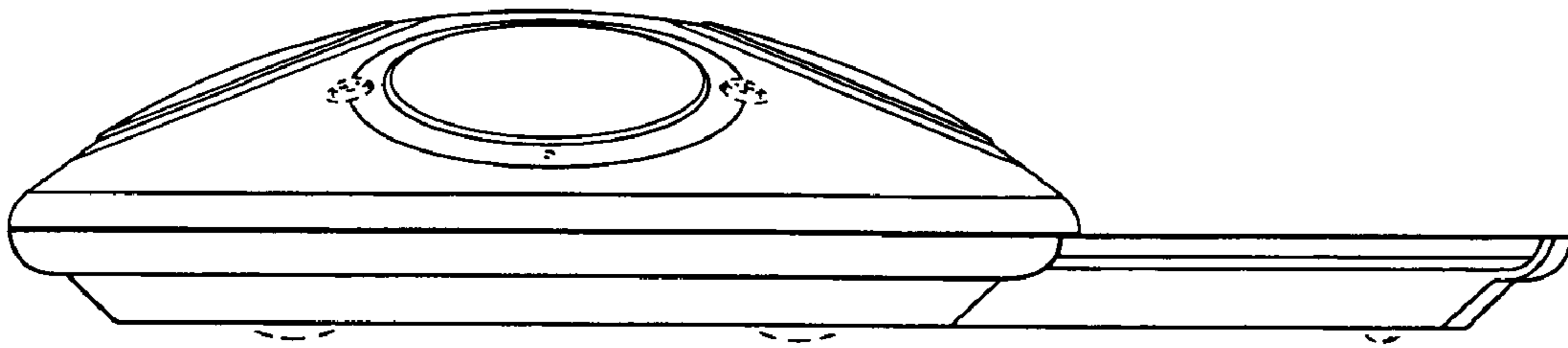


Fig. 5

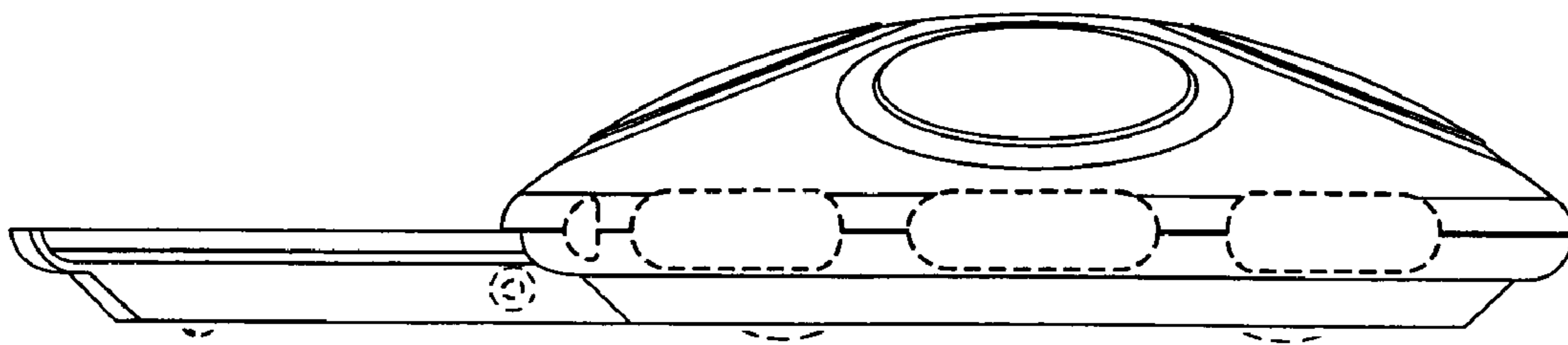


Fig. 6

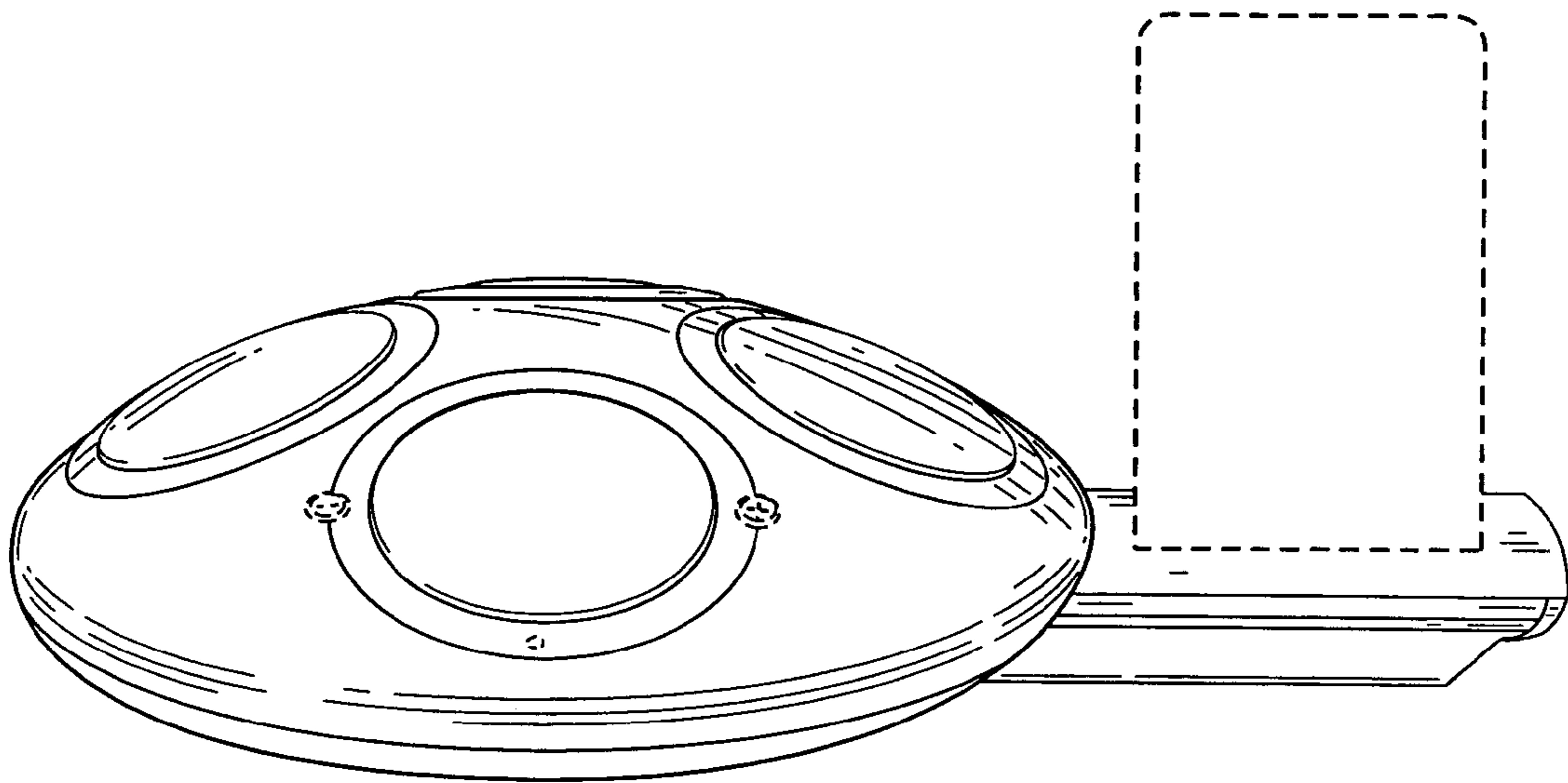


Fig. 7