



US00D544544S

(12) **United States Design Patent**  
**Wu**

(10) **Patent No.:** **US D544,544 S**  
(45) **Date of Patent:** **\*\* Jun. 12, 2007**

- (54) **CORRECTION TAPE DISPENSER**
- (75) Inventor: **Cheng-Loung Wu**, Chang Hua (TW)
- (73) Assignee: **SDI Corporation**, Chang Hua (TW)
- (\*\*) Term: **14 Years**
- (21) Appl. No.: **29/268,469**
- (22) Filed: **Nov. 7, 2006**
- (51) **LOC (8) Cl.** ..... **19-02**
- (52) **U.S. Cl.** ..... **D19/69**
- (58) **Field of Classification Search** ..... D19/66,  
D19/67, 68, 69, 70; 156/523, 257, 540, 577;  
206/411; 225/6, 25, 39, 77; 242/588, 588.1,  
242/588.2, 588.3, 588.6, 598.5  
See application file for complete search history.

(56) **References Cited**  
U.S. PATENT DOCUMENTS

5,772,840	A *	6/1998	Morinaga	.....	156/540
6,000,455	A *	12/1999	Semmler	.....	156/540
6,461,068	B1 *	10/2002	Holmes	.....	401/17
D467,617	S *	12/2002	Soetewey	.....	D19/69
D475,747	S *	6/2003	Ono	.....	D19/69
6,732,782	B2 *	5/2004	Rollion	.....	156/577
D491,986	S *	6/2004	Bain	.....	D19/69
D501,032	S *	1/2005	Kah	.....	D19/69
D506,508	S *	6/2005	Shimizu et al.	.....	D19/69
6,997,229	B2 *	2/2006	Marschand et al.	.....	156/577
7,063,120	B2 *	6/2006	Huthmacher et al.	.....	156/577
D532,457	S *	11/2006	Chen	.....	D19/69

2003/0062135	A1 *	4/2003	Takahashi	.....	156/577
2005/0056376	A1 *	3/2005	Marschand et al.	.....	156/540
2005/0072529	A1 *	4/2005	Yonezawa et al.	.....	156/540
2006/0257195	A1 *	11/2006	Chen	.....	400/697

\* cited by examiner

*Primary Examiner*—Cathron C. Brooks  
*Assistant Examiner*—Austin Murphy  
(74) *Attorney, Agent, or Firm*—Frenkel & Associates, P.C.

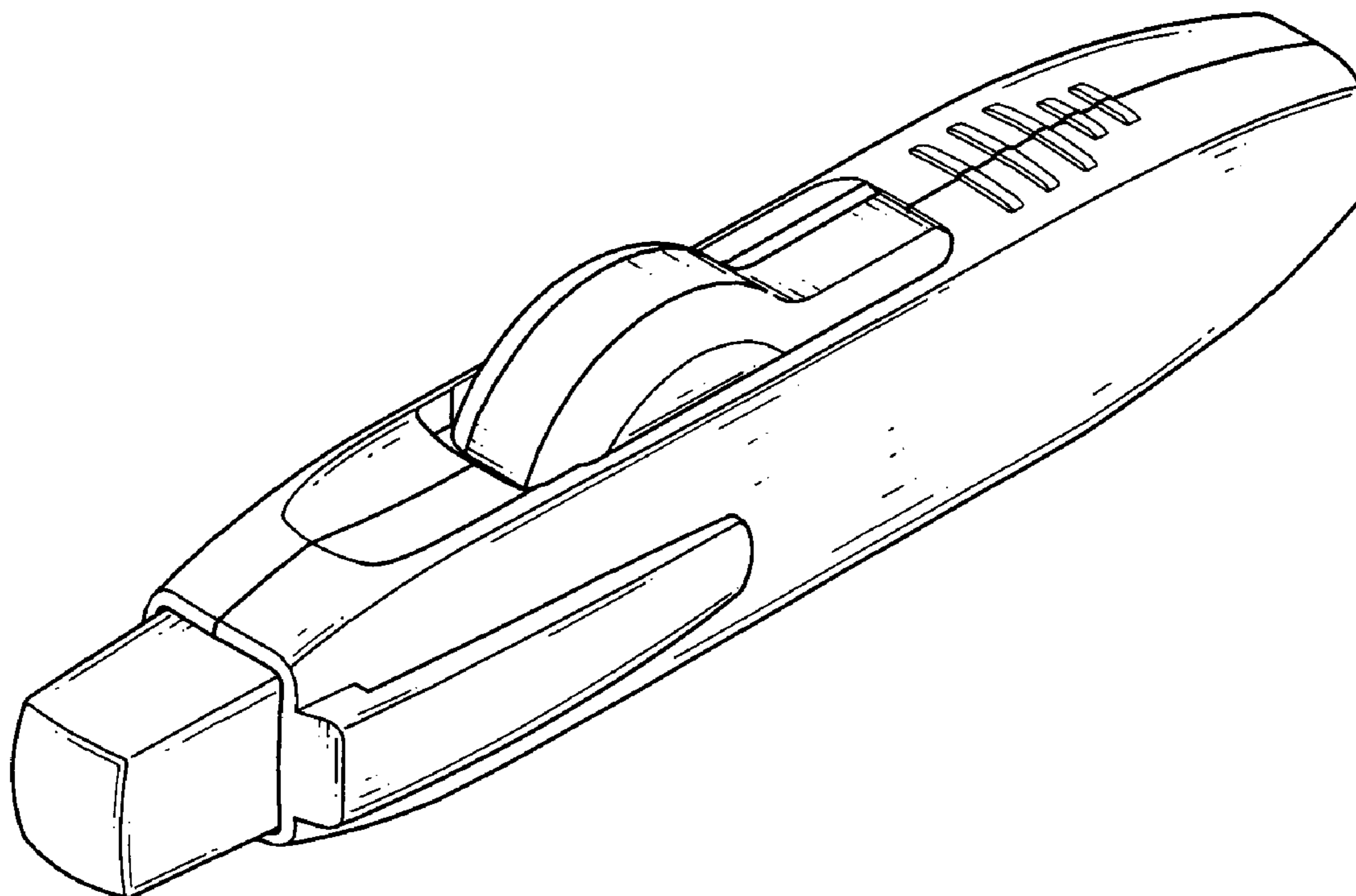
(57) **CLAIM**

The ornamental design for a correction tape dispenser, as shown and described.

**DESCRIPTION**

FIG. 1 is a perspective view of a correction tape dispenser showing my new design;  
FIG. 2 is a front view thereof;  
FIG. 3 is a rear view thereof;  
FIG. 4 is a left side view thereof;  
FIG. 5 is a right side view thereof;  
FIG. 6 is top view thereof;  
FIG. 7 is a bottom view thereof; and,  
FIG. 8 is an additional front view of the correction tape dispenser with an applicator tip extended.  
The broken lines shown in the drawings form no part of the claimed design.

**1 Claim, 5 Drawing Sheets**



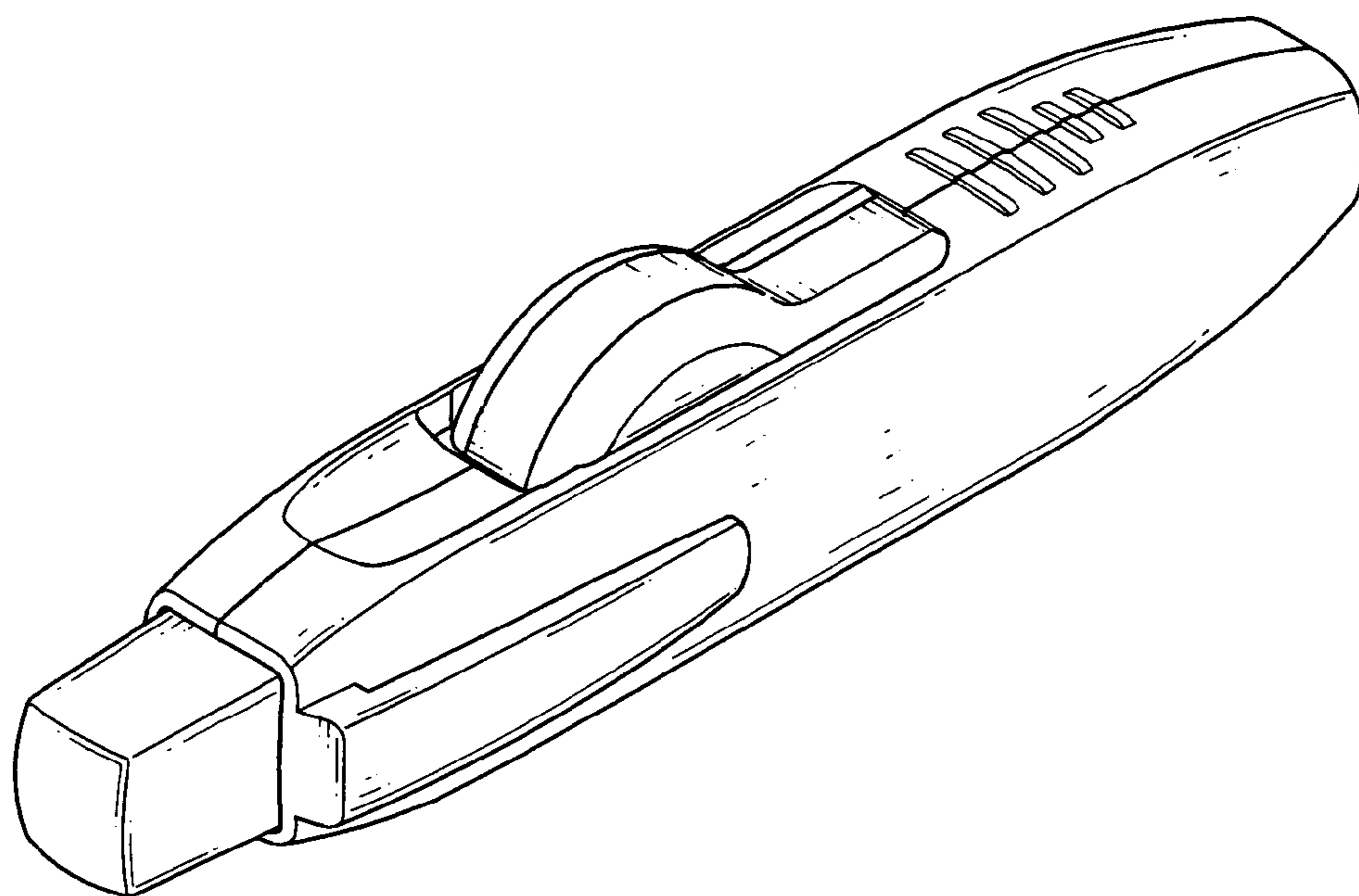


FIG. 1

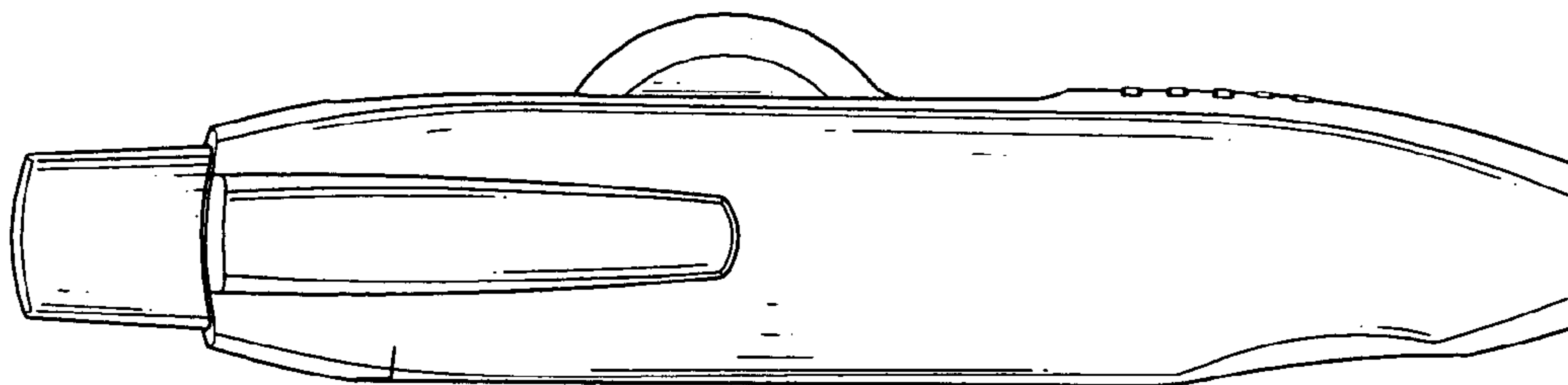


FIG. 2

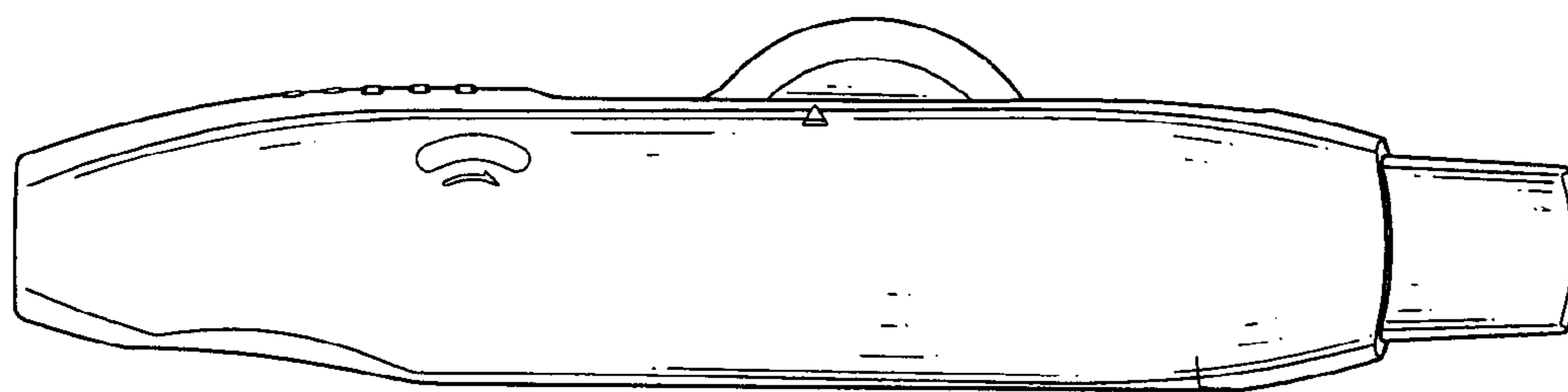


FIG. 3

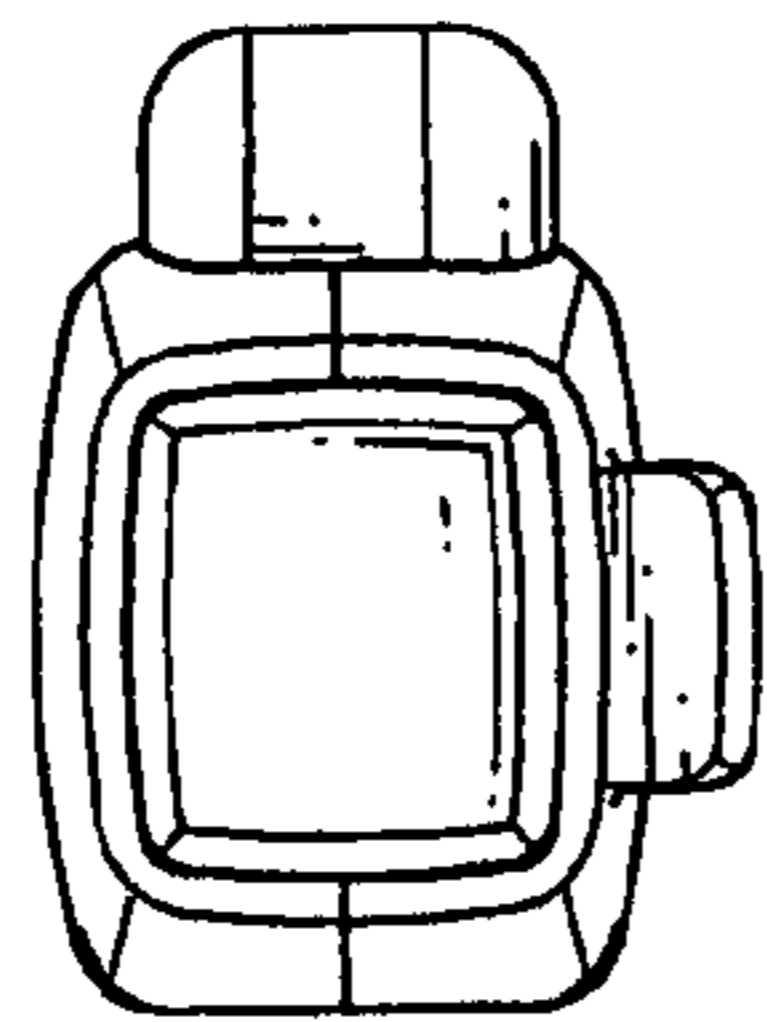


FIG. 4

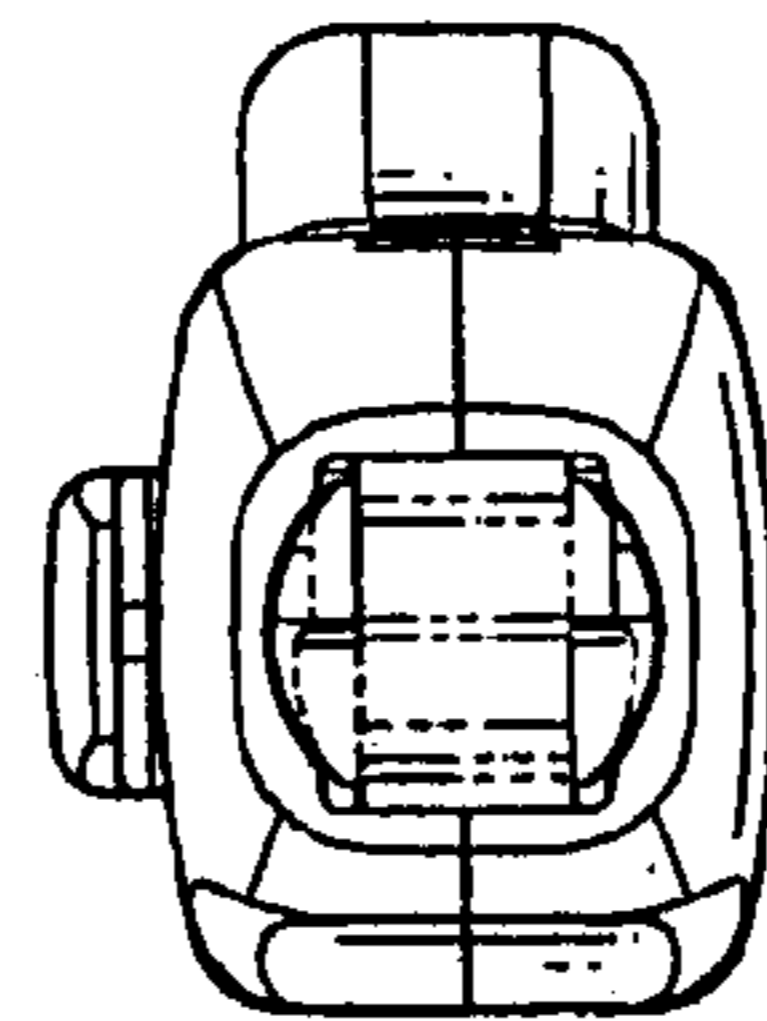


FIG. 5

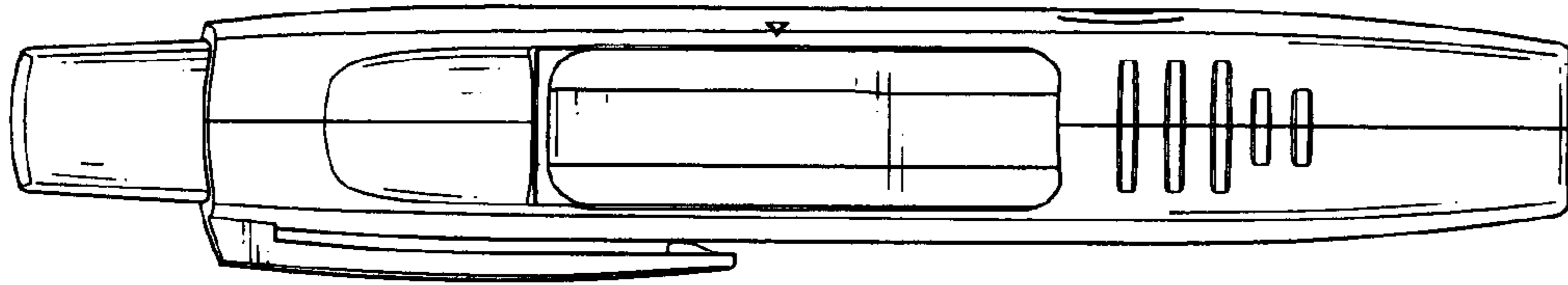


FIG. 6

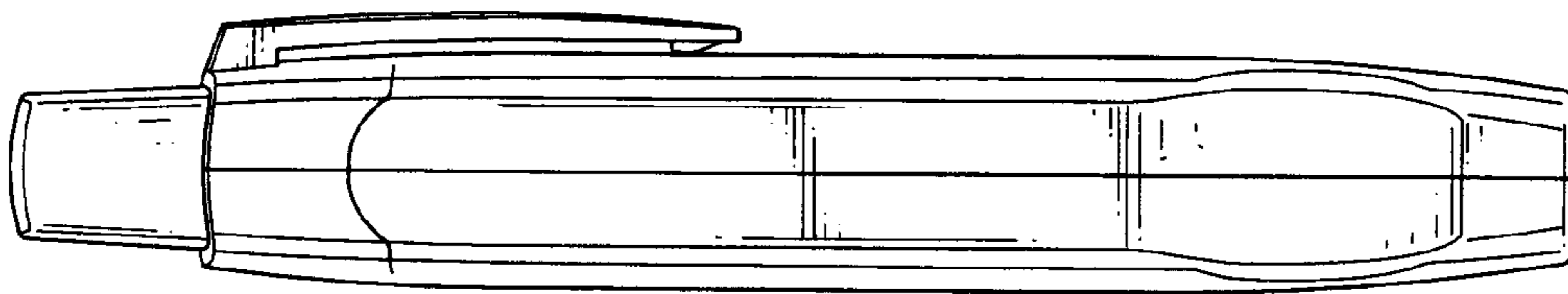


FIG. 7

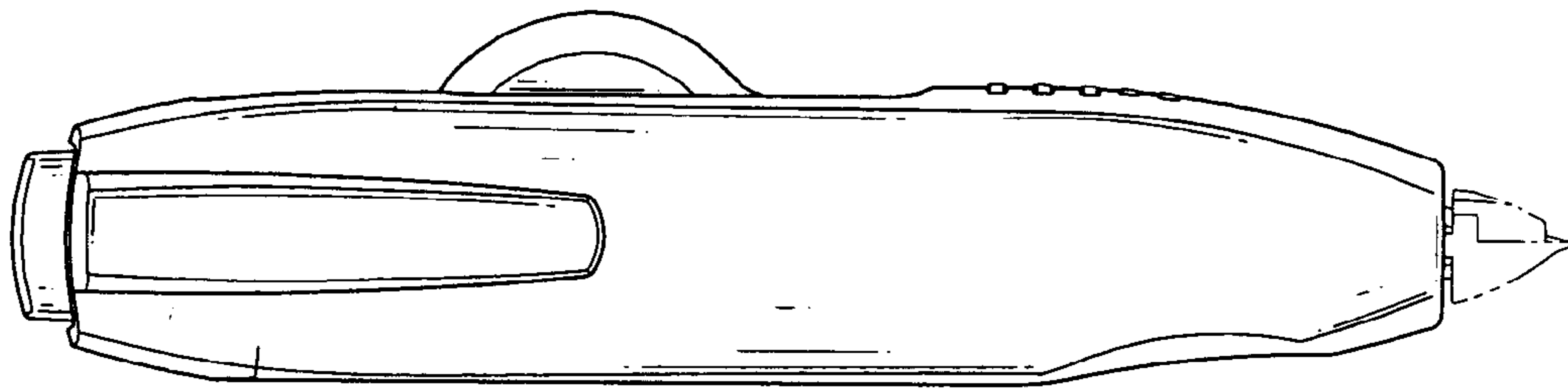


FIG. 8