

US00D544543S

(12) **United States Design Patent** (10) **Patent No.:** **US D544,543 S**
Ono (45) **Date of Patent:** **** Jun. 12, 2007**

(54) **NON-TRANSPARENT CASE FOR CORRECTION TAPE**
(75) Inventor: **Satoru Ono**, Tokorozawa (JP)
(73) Assignee: **PLUS Stationary Corporation**, Tokyo (JP)
(**) Term: **14 Years**
(21) Appl. No.: **29/259,140**
(22) Filed: **May 3, 2006**

KR 30-2004-0031674 7/2005
TW 519438 1/2003
TW 544253 7/2003

OTHER PUBLICATIONS

A copy of the Vietnamese Patent Office Action for corresponding Vietnamese design patent application No. 3-2006-00235, dated Feb. 2, 2006. (Citing Reference AL)
A copy of the International Search Report for corresponding international application No. 95301319, dated Jan. 18, 2007. (Citing References AF-AL).

(30) **Foreign Application Priority Data**

Nov. 21, 2005 (JP) 2005-034230

(51) **LOC (8) Cl.** **19-02**
(52) **U.S. Cl.** **D19/69**
(58) **Field of Classification Search** D19/66,
D19/67, 68, 69, 70; 156/523, 257, 540, 577;
206/411; 225/6, 25, 39, 77; 242/588, 588.1,
242/588.2, 588.3, 588.6, 598.5
See application file for complete search history.

* cited by examiner

Primary Examiner—Cathron C. Brooks
Assistant Examiner—Austin Murphy
(74) *Attorney, Agent, or Firm*—Armstrong, Kratz, Quintos, Hanson & Brooks, LLP

(57) **CLAIM**

The ornamental design for a non-transparent case for correction tape, as shown and described.

(56) **References Cited**

U.S. PATENT DOCUMENTS

D421,060 S *	2/2000	Kelders et al.	D19/69
D424,619 S *	5/2000	Katami	D19/69
D433,449 S *	11/2000	Fujiwara	D19/53
D436,625 S *	1/2001	Katami	D19/69
D438,250 S *	2/2001	Katami	D19/69
D457,564 S *	5/2002	Kimura	D19/53
D465,241 S *	11/2002	Suzuki	D19/69
D466,938 S *	12/2002	Lee	D19/69
D466,939 S *	12/2002	Lee	D19/69
D492,355 S *	6/2004	Suzuki	D19/69
6,761,200 B2 *	7/2004	Shinya	156/577

FOREIGN PATENT DOCUMENTS

JP	D1154269	8/2002
JP	D1170927	2/2003
JP	D0080834	6/2003
JP	1193473	1/2004
JP	1193681	1/2004
JP	1225132	12/2004
JP	1225500	12/2004
KR	30-2004-0026749	7/2005

DESCRIPTION

FIG. 1 is a front view of the non-transparent case for correction tape of the present invention;
FIG. 2 is a back view thereof;
FIG. 3 is a left side view thereof;
FIG. 4 is a right side view thereof;
FIG. 5 is a plan view thereof;
FIG. 6 is a base view thereof;
FIG. 7 is a perspective view thereof;
FIG. 8 is a A—A cross-sectional view thereof;
FIG. 9 is a B—B cross-sectional view thereof;
FIG. 10 is a C—C cross-sectional view thereof;
FIG. 11 is a front view of the non-transparent case for correction tape in an alternate position of use;
FIG. 12 is a back view thereof;
FIG. 13 is a left side view thereof;
FIG. 14 is a right view thereof;
FIG. 15 is a plan view thereof;
FIG. 16 is a base view thereof; and,
FIG. 17 is a perspective view thereof.

1 Claim, 6 Drawing Sheets

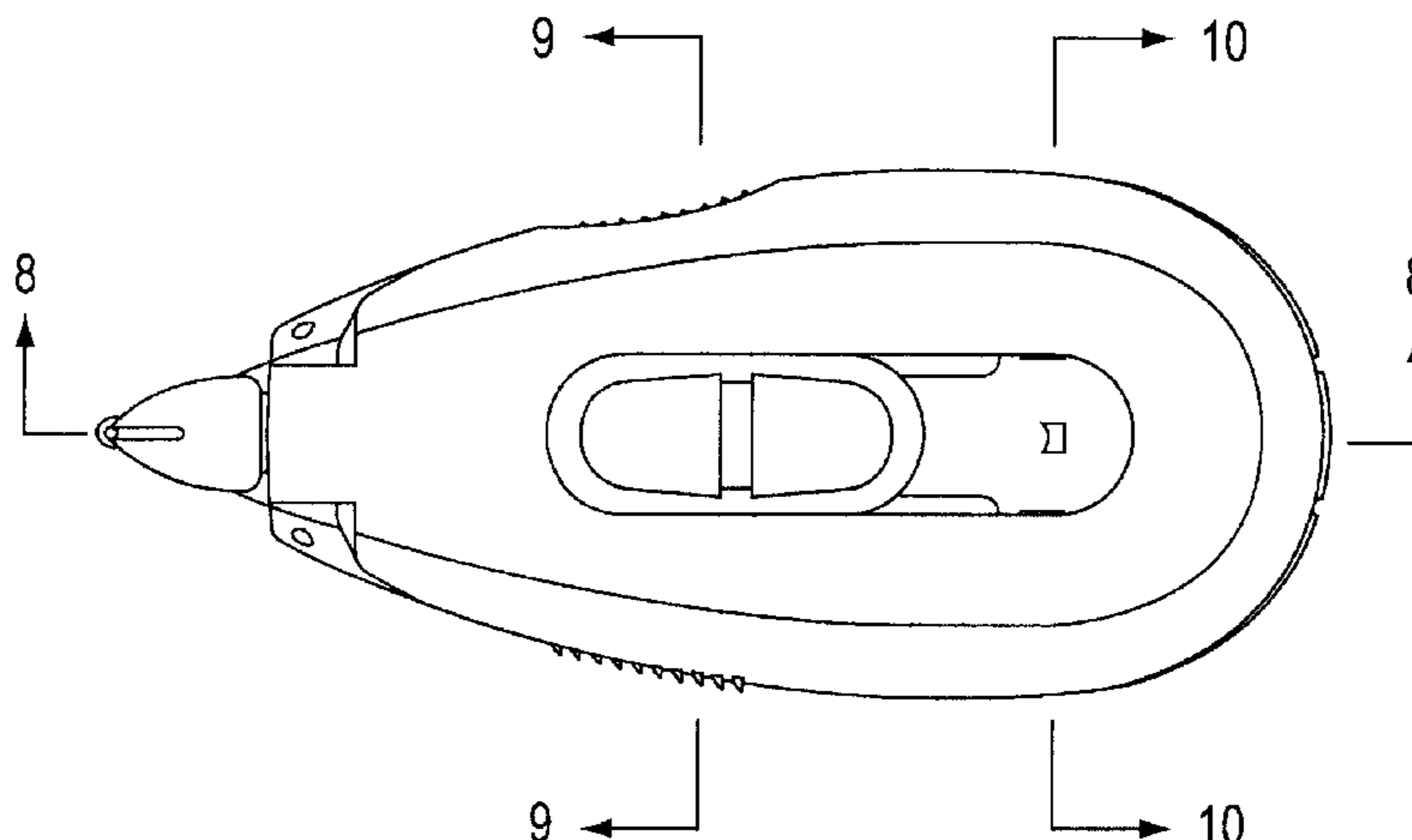


FIG.1

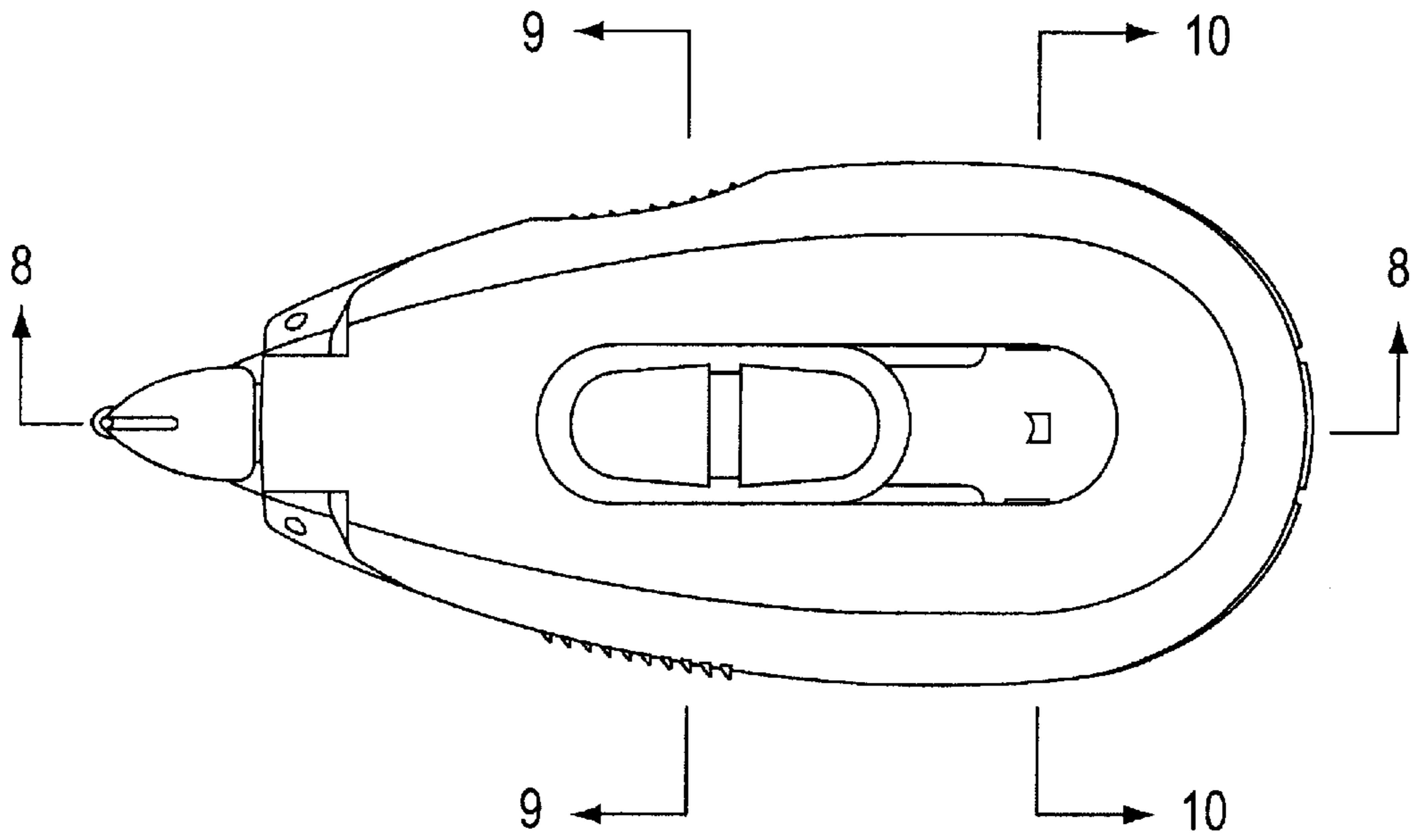


FIG.2

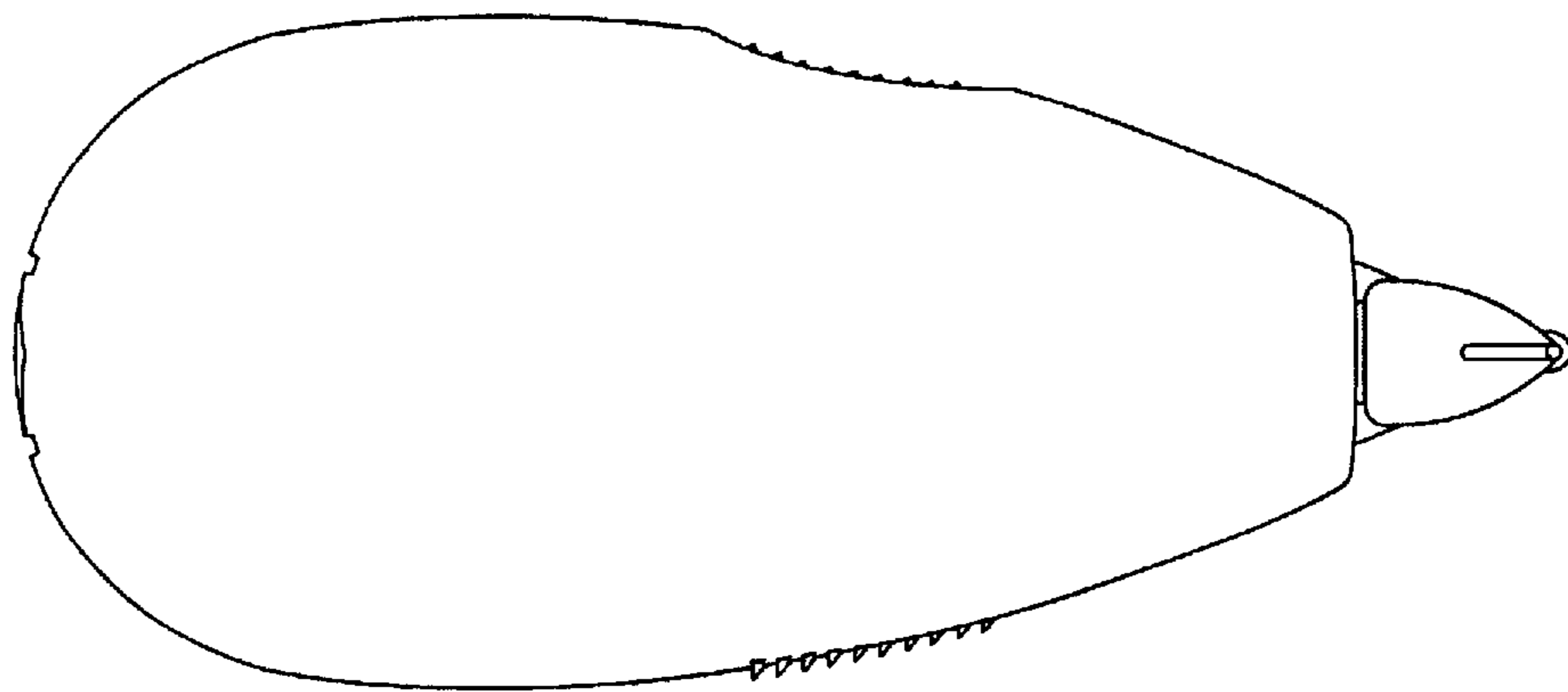


FIG.3

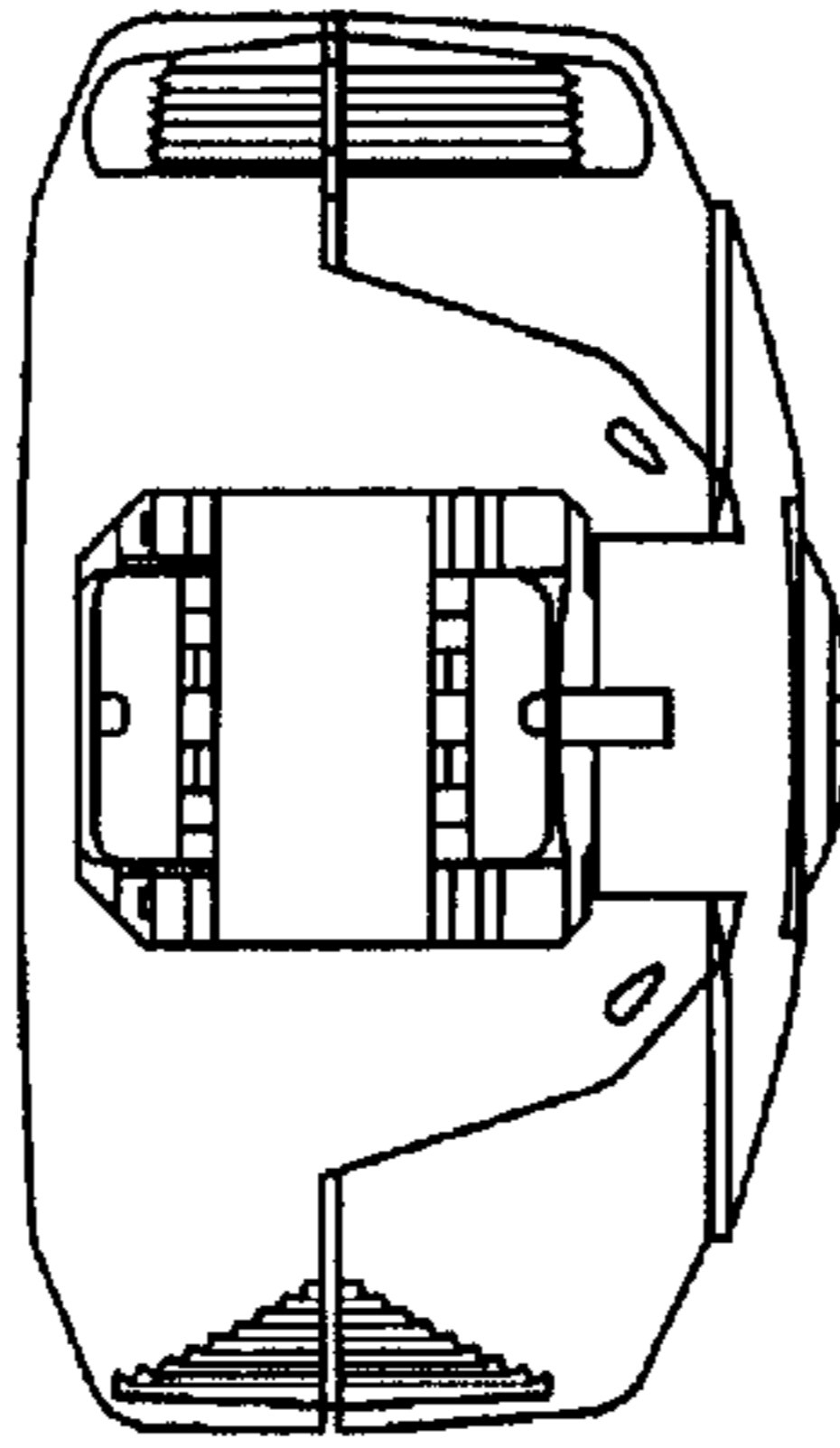


FIG.4

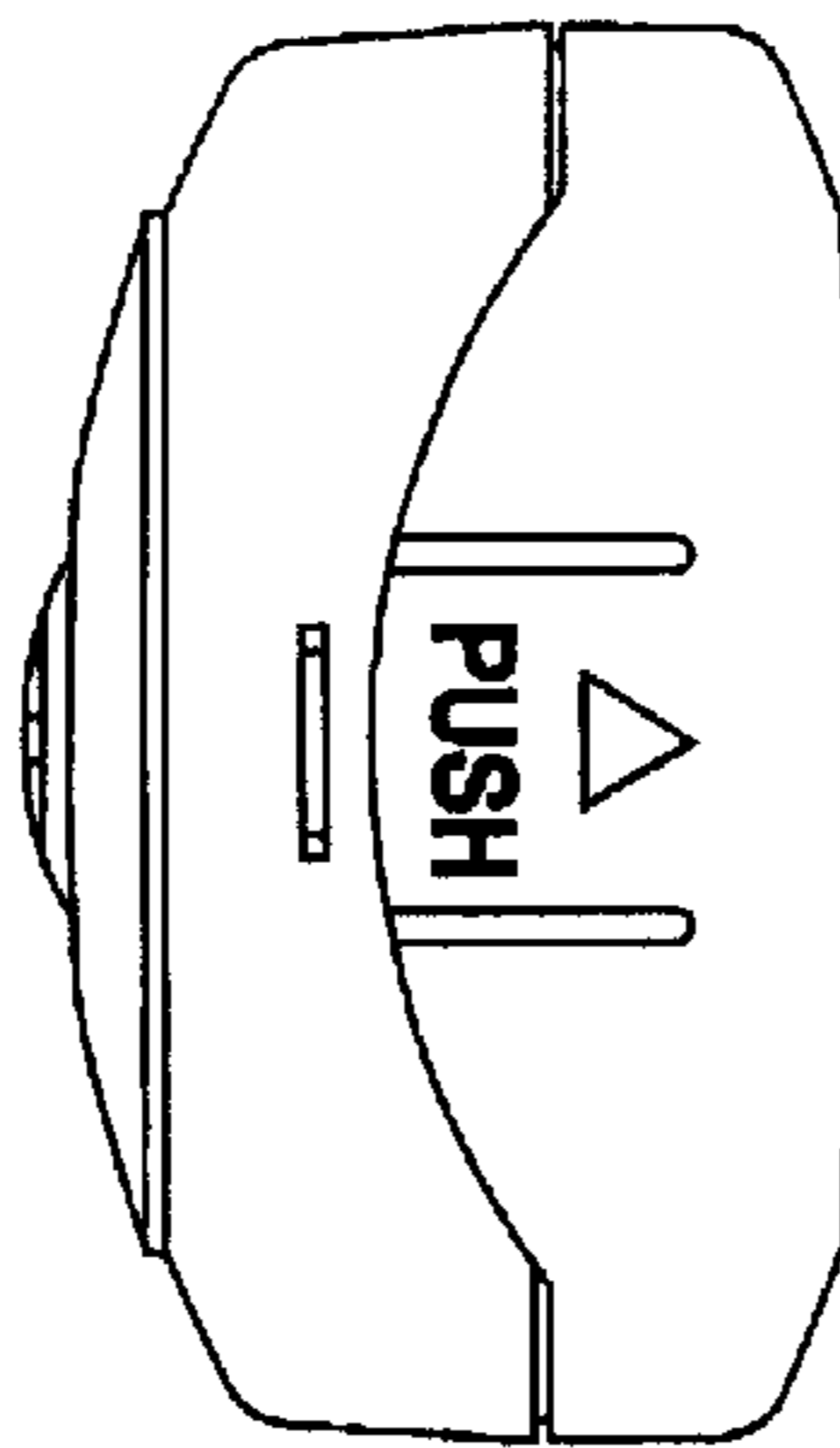


FIG.5

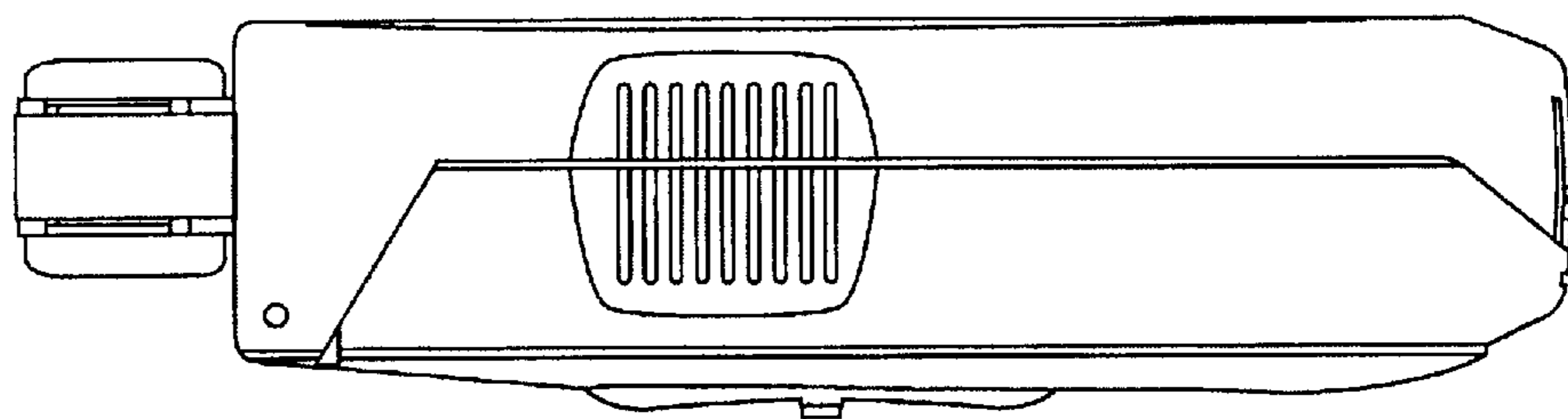


FIG.6

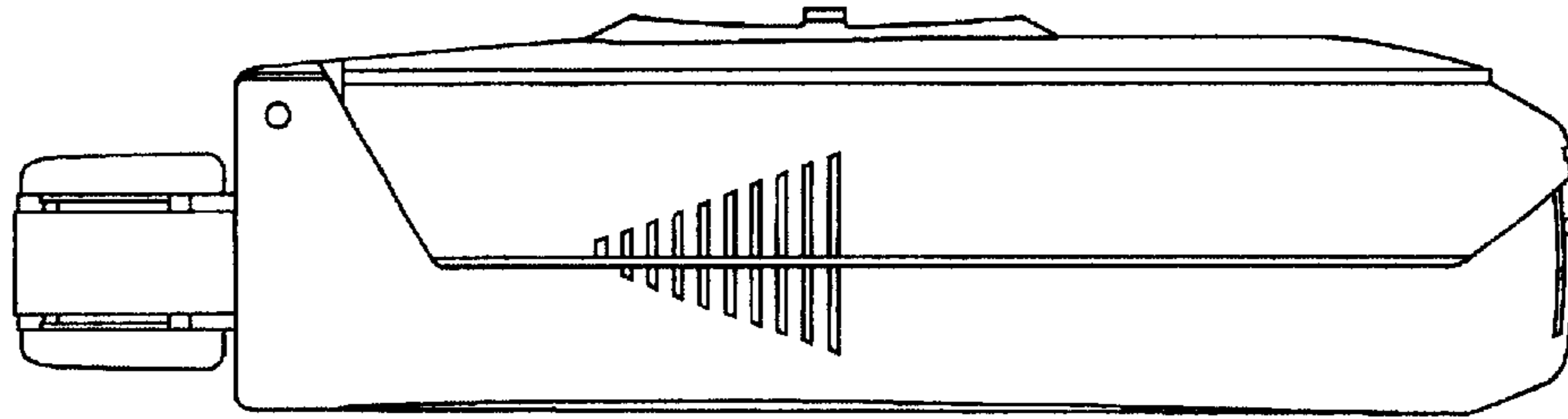


FIG.7

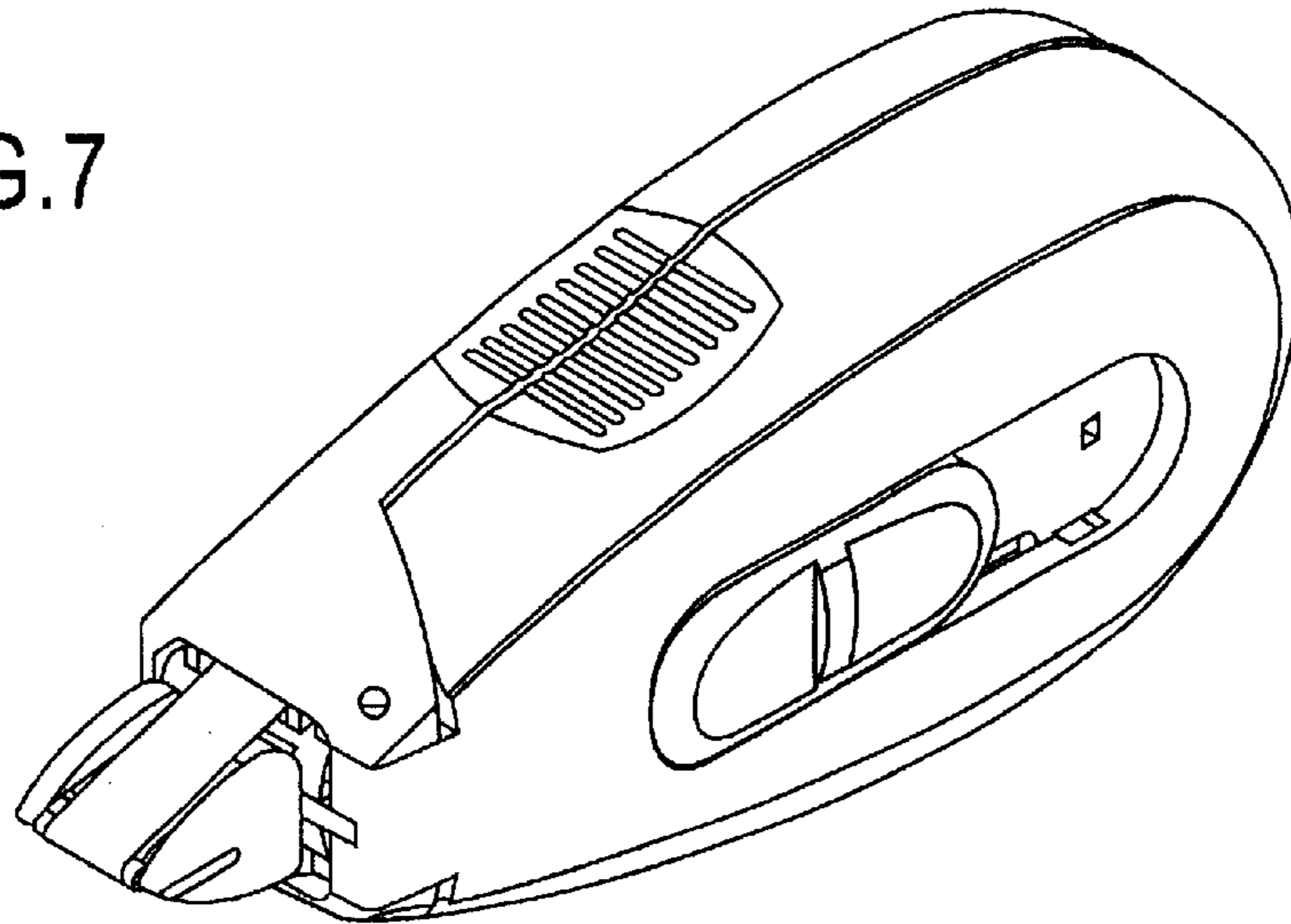


FIG.8

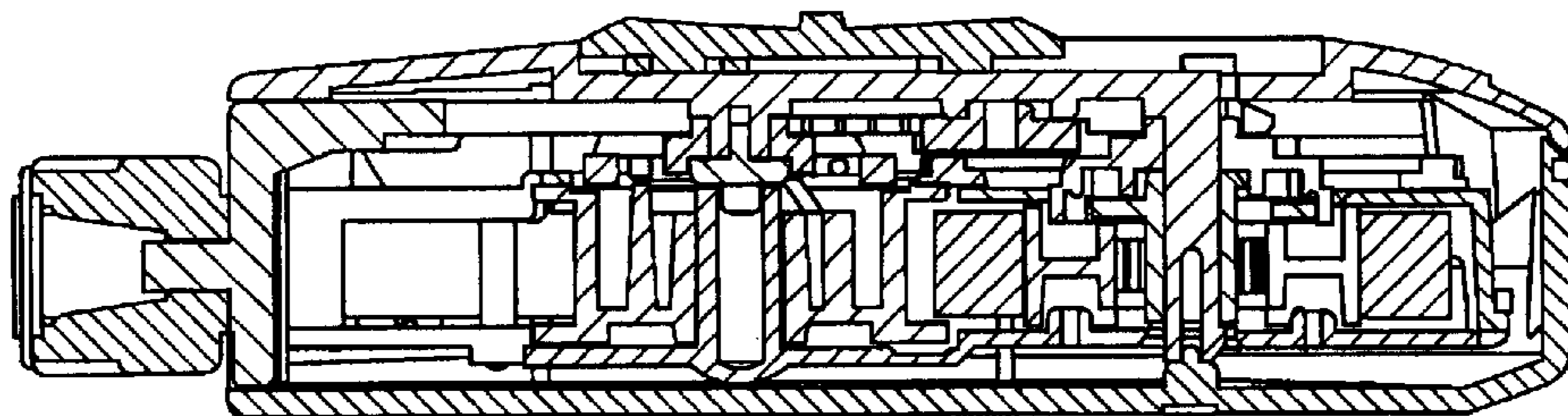


FIG.9

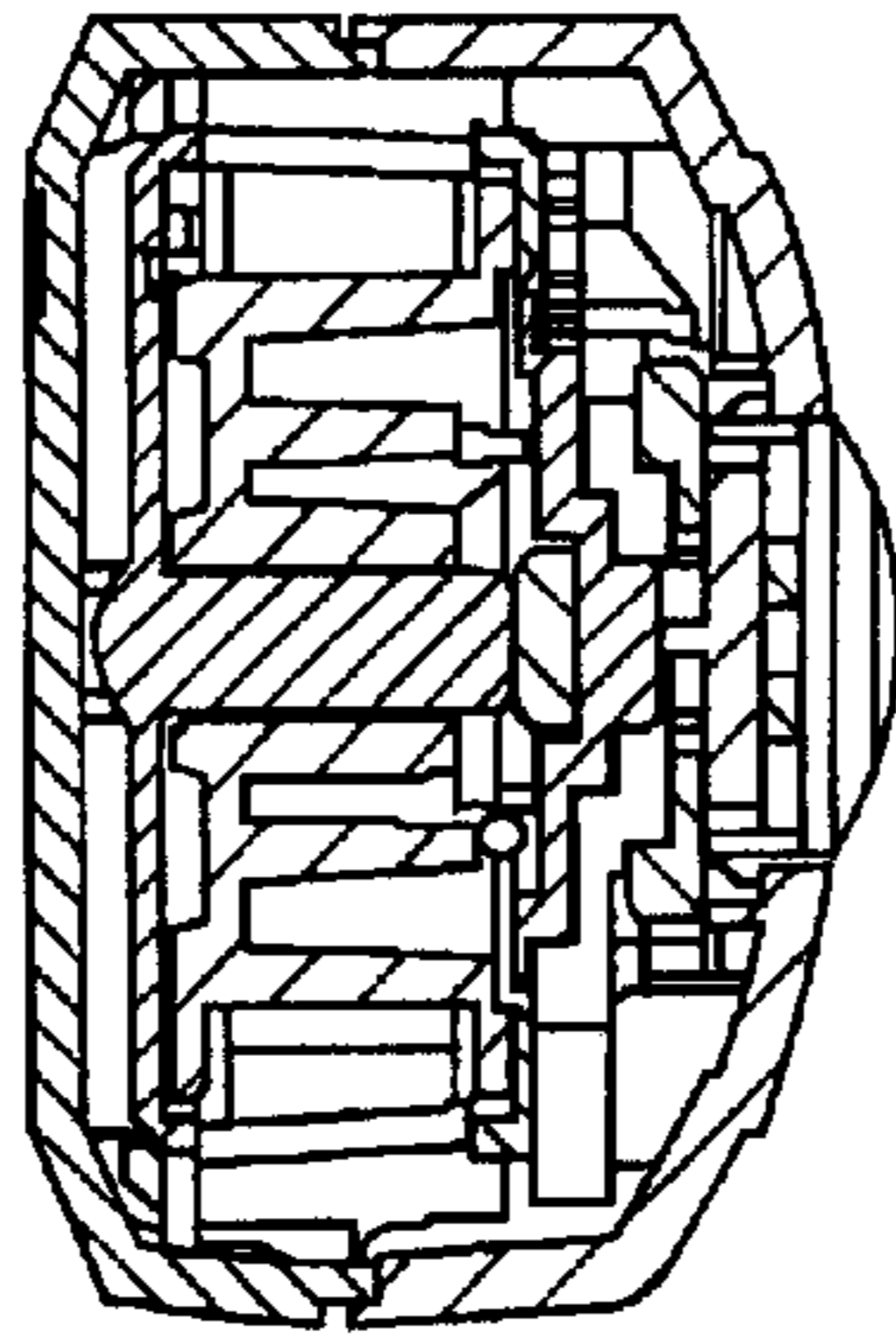


FIG.10

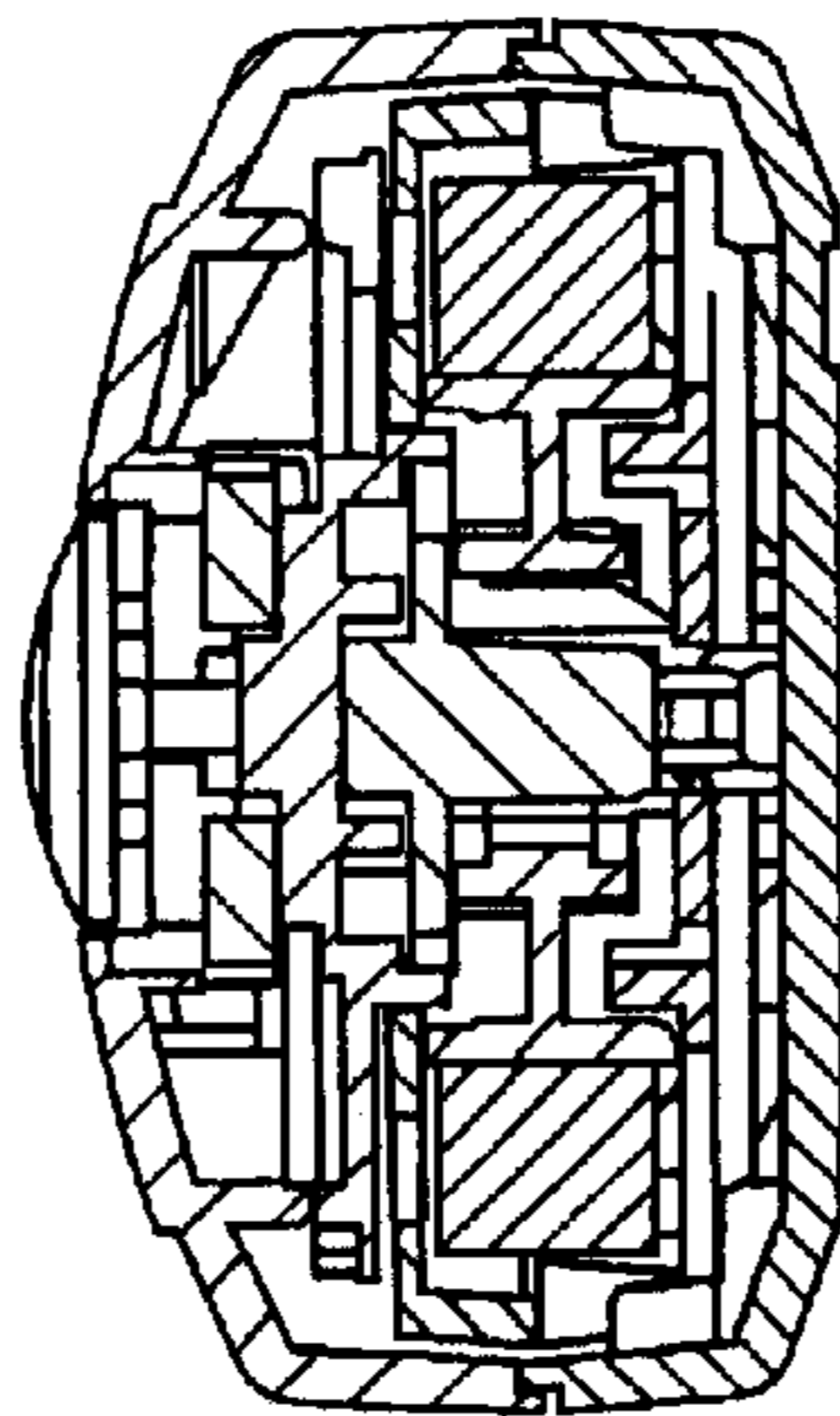


FIG.11

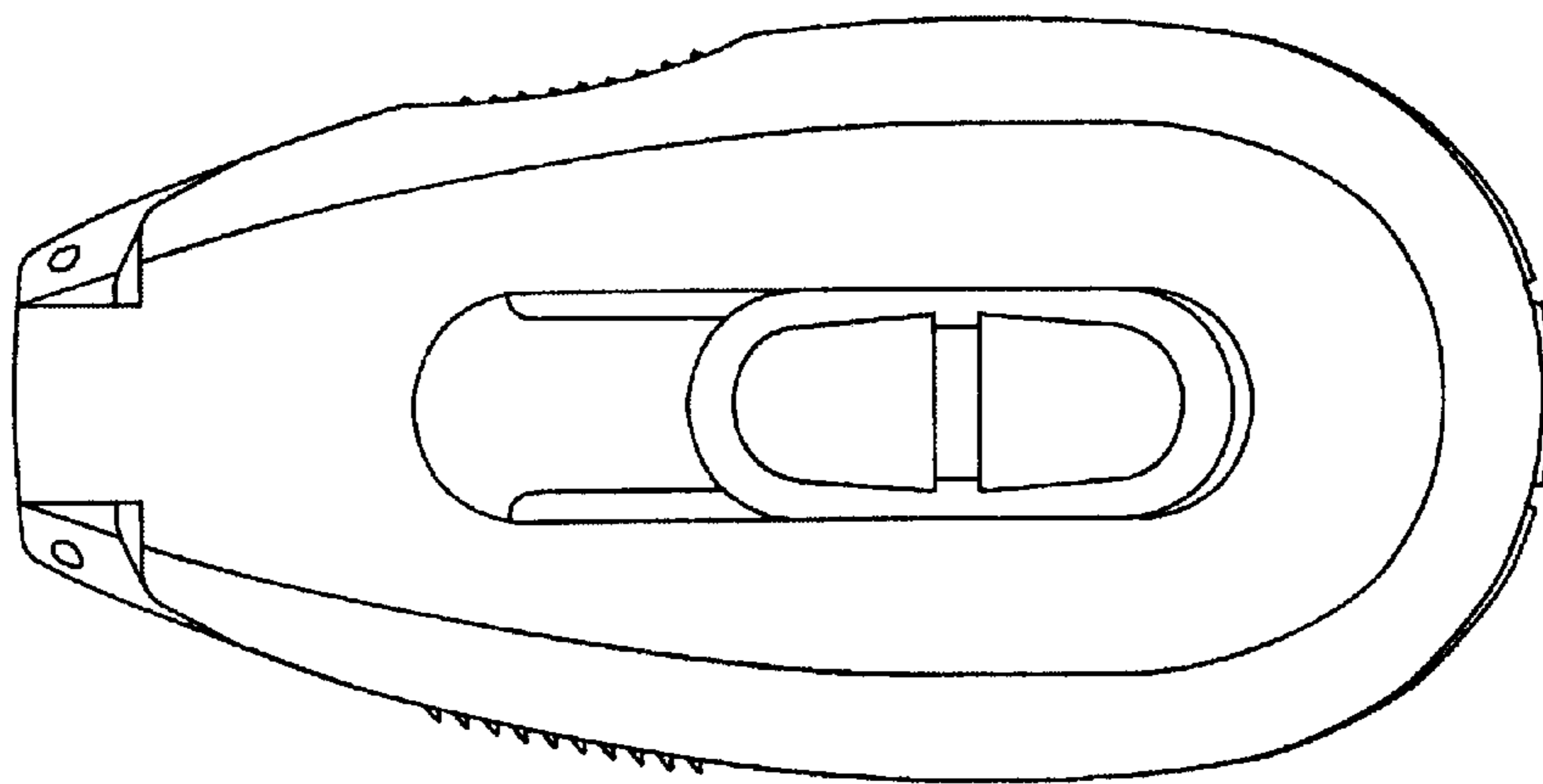


FIG.12

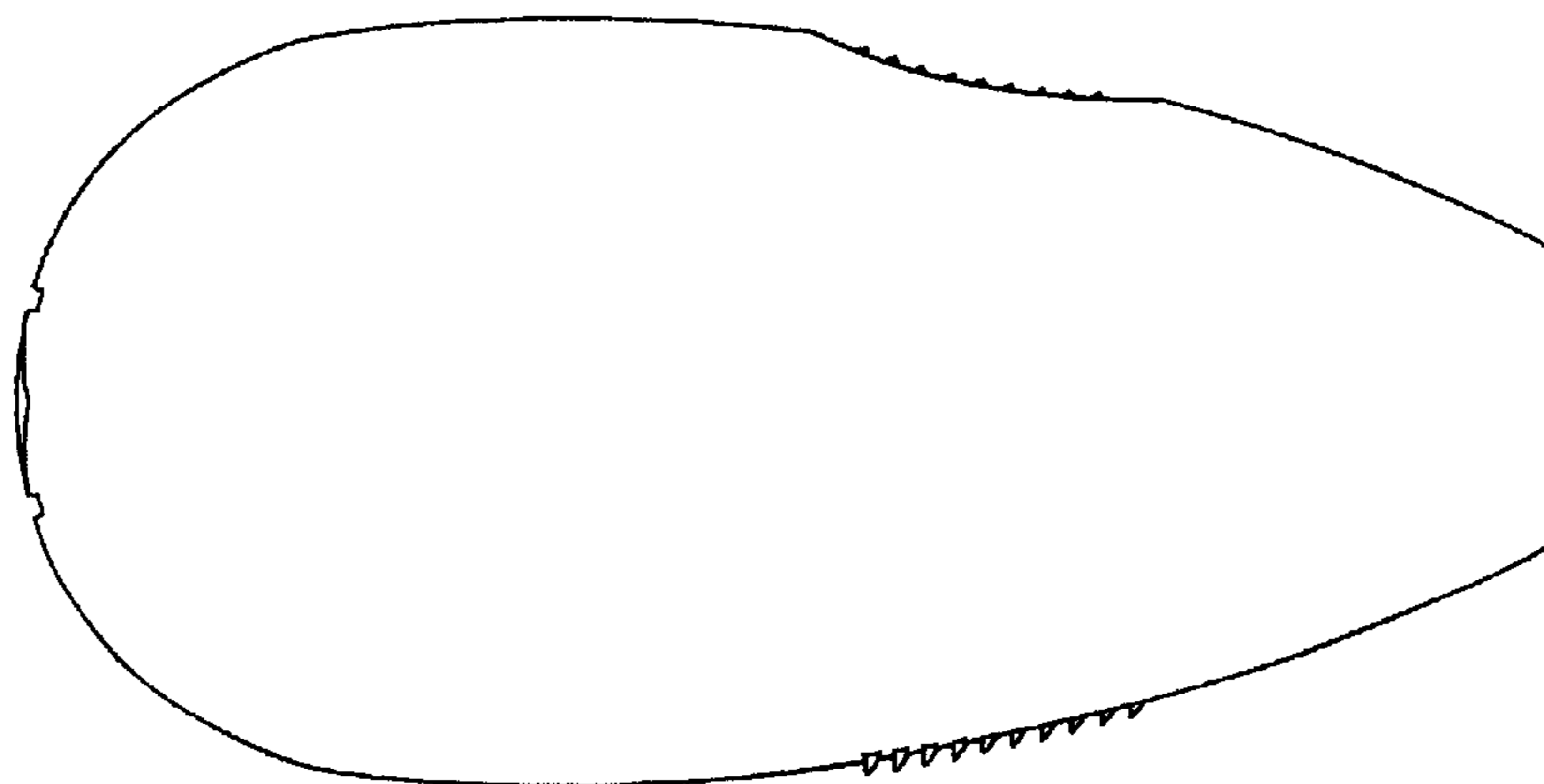


FIG.13

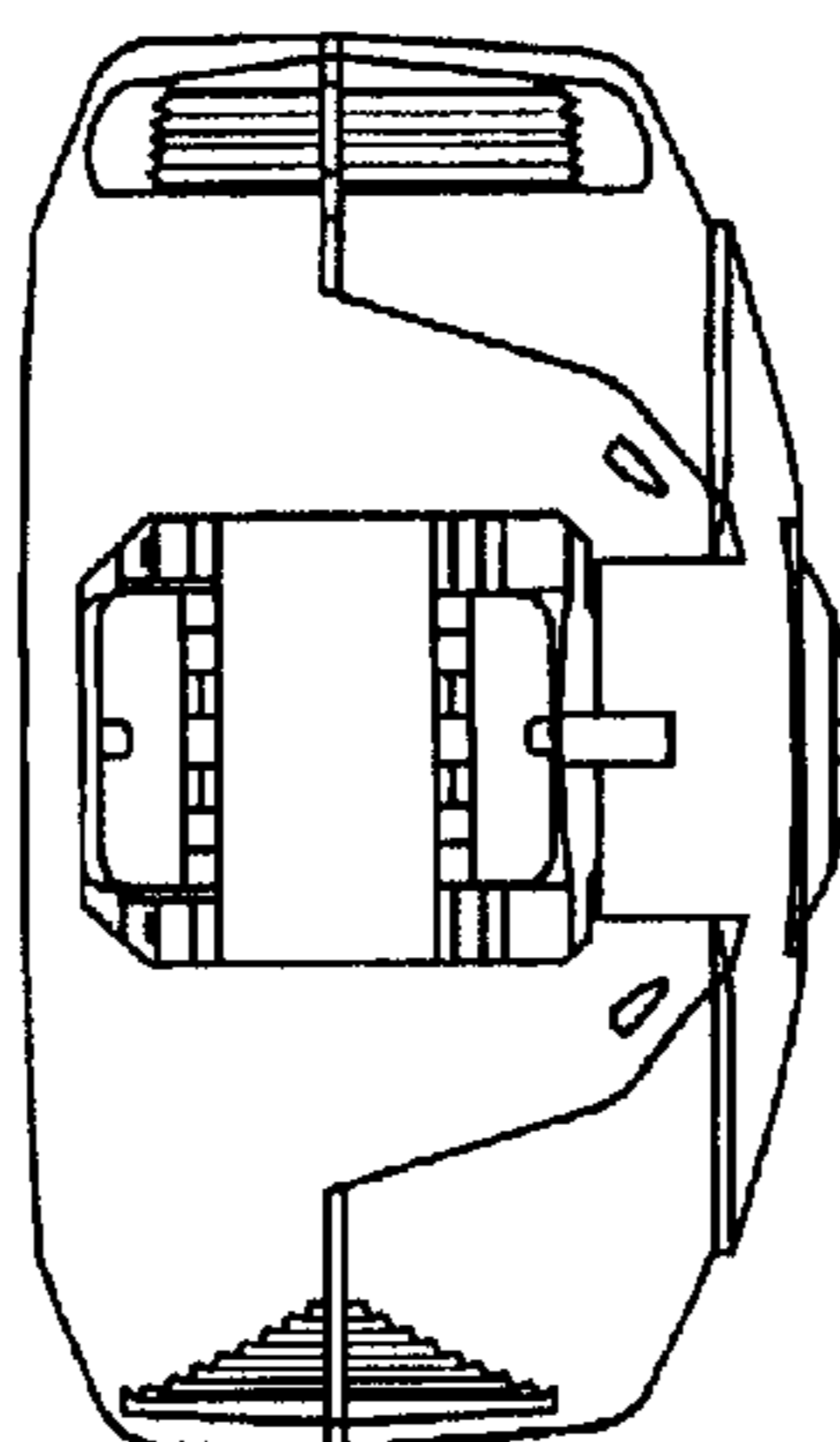


FIG.14

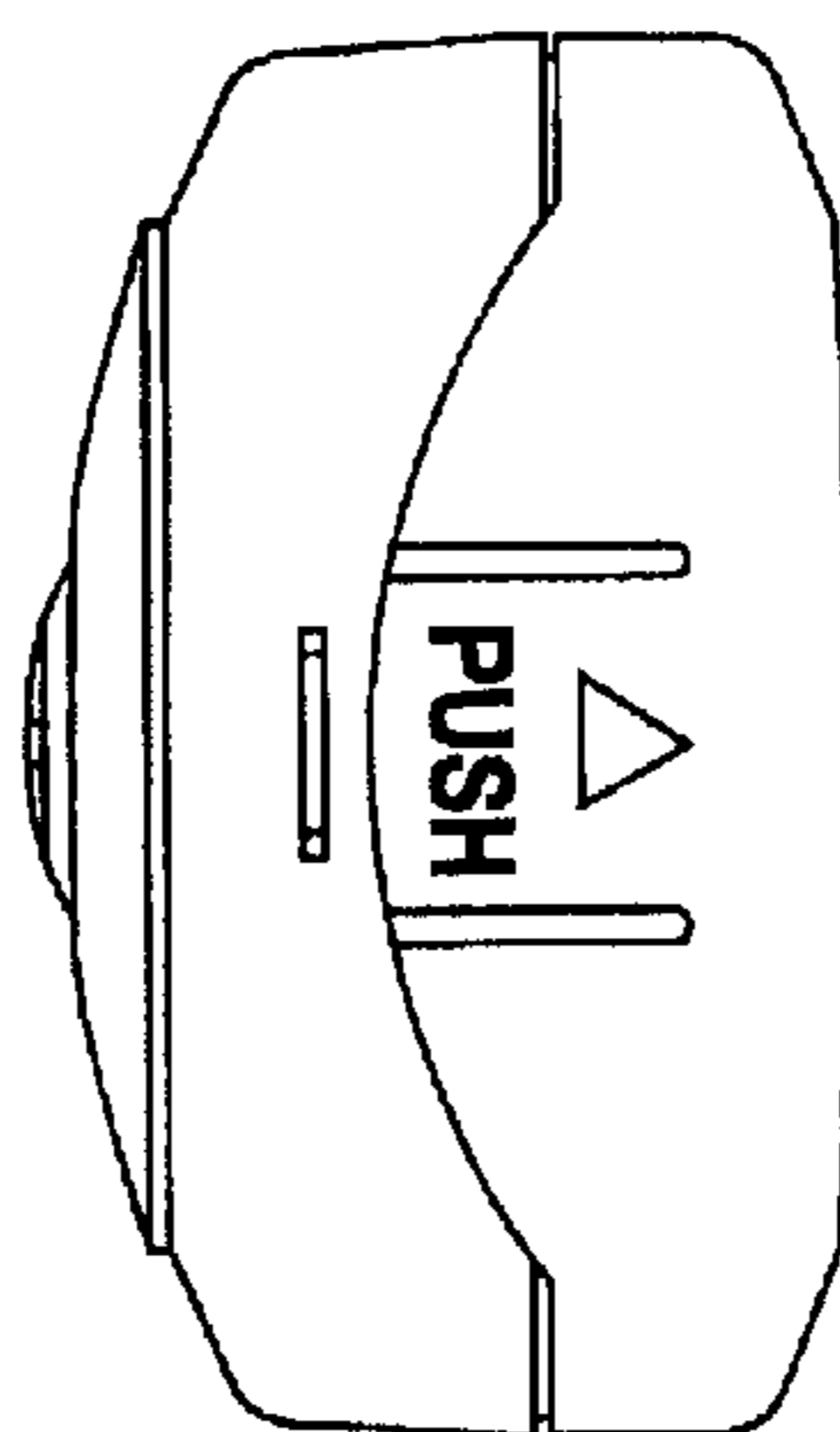


FIG.15

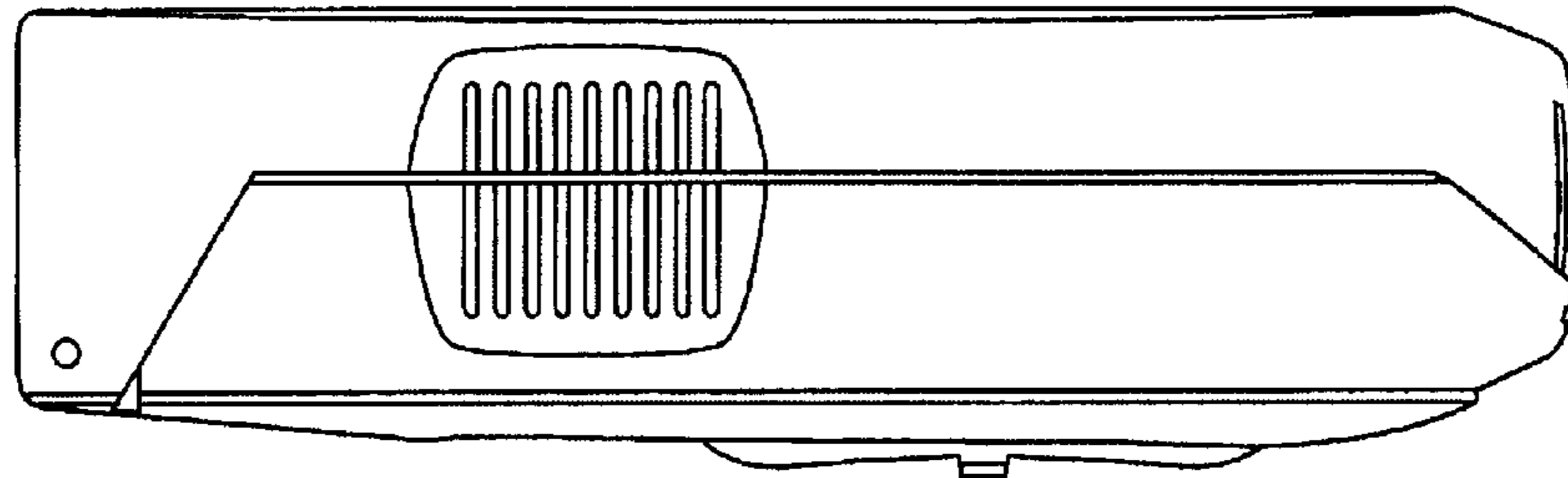


FIG.16

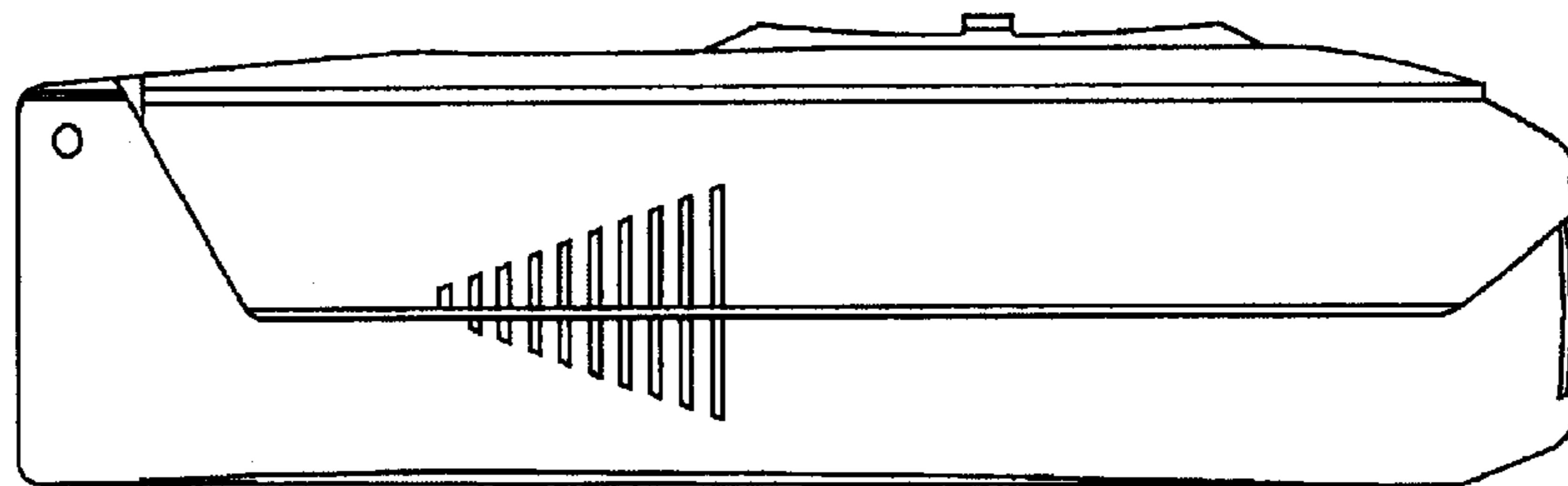


FIG.17

