

US00D544540S

(12) **United States Design Patent**
Forrest

(10) **Patent No.:** **US D544,540 S**
(45) **Date of Patent:** **** Jun. 12, 2007**

(54) **JOURNAL CASE**

(57) **CLAIM**

(75) **Inventor:** **Gretchen Mary Louise Forrest,**
Lincoln, RI (US)

The ornamental design for a journal case, as shown and described herein.

(73) **Assignee:** **Radica Games Ltd.,** Hamilton (BM)

DESCRIPTION

(**) **Term:** **14 Years**

(21) **Appl. No.:** **29/243,729**

(22) **Filed:** **Nov. 30, 2005**

(51) **LOC (8) Cl.** **19-04**

(52) **U.S. Cl.** **D19/27**

(58) **Field of Classification Search** D19/32,
D19/27, 26, 90; D3/247, 276, 201, 249,
D3/273, 294, 274, 243, 245; D21/333, 273;
402/73, 3, 4, 31, 19; 281/27.3, 29, 38; 273/148 B;
224/240

See application file for complete search history.

FIG. 1 illustrates a perspective view of a journal case in a closed position showing the front, left and bottom sides.

FIG. 2 illustrates a bottom side view of the journal case in a closed position.

FIG. 3 illustrates a top side view of journal case in a closed position.

FIG. 4 illustrates a left side view of journal case in a closed position.

FIG. 5 illustrates a right side view of journal case in a closed position.

FIG. 6 illustrates a front side view of journal case in a closed position.

FIG. 7 illustrates a back side view of journal case in a closed position.

FIG. 8 illustrates a perspective view of the journal case of FIG. 1 in a partly open position showing the front and top sides from a left of center perspective.

FIG. 9 illustrates a bottom side view of the journal case in an open position.

FIG. 10 illustrates a top side view of journal case in an open position.

FIG. 11 illustrates a left side view of journal case in an open position.

FIG. 12 illustrates a right side view of journal case in an open position.

FIG. 13 illustrates a front side view of journal case in an open position.

FIG. 14 illustrates a back side view of journal case in an open position; and,

FIG. 15 illustrates a front side view of journal case in an open position with a positionable member rotated down and pivoted towards the viewing perspective.

(56) **References Cited**

U.S. PATENT DOCUMENTS

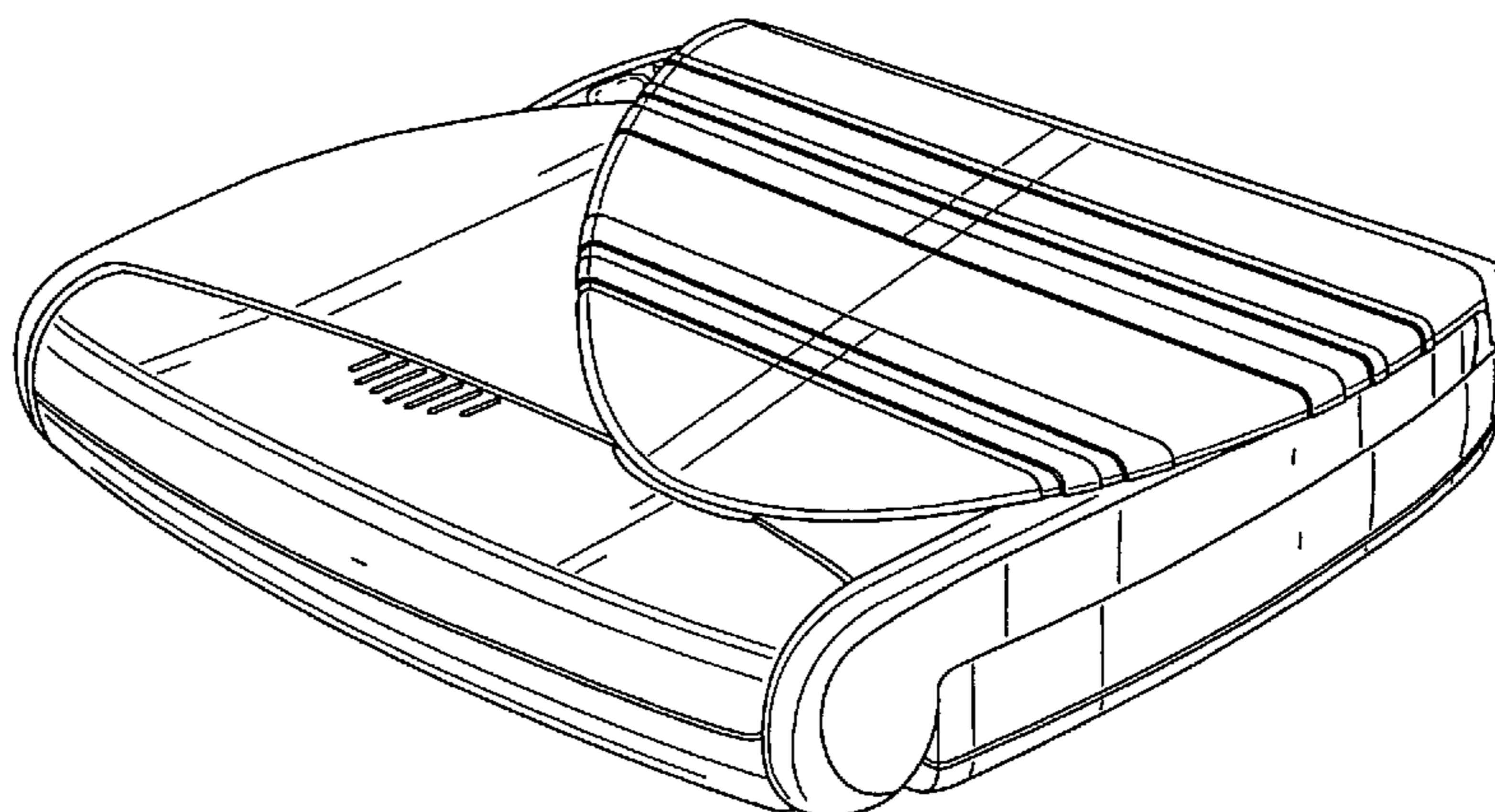
3,545,514	A	*	12/1970	Wolf	150/117
4,893,739	A	*	1/1990	Conner	224/240
D323,937	S	*	2/1992	Solomon	D3/299
D400,011	S	*	10/1998	Palmer et al.	D3/294
6,030,140	A	*	2/2000	Karten et al.	402/73
D446,932	S	*	8/2001	Crandall et al.	D3/243
D447,865	S	*	9/2001	Hillman	D3/226
D465,244	S	*	11/2002	Hussaini et al.	D21/333
D466,297	S	*	12/2002	Raisner et al.	D3/299
D470,536	S	*	2/2003	Soga	D21/333
D472,937	S	*	4/2003	Chang	D21/333
D476,682	S	*	7/2003	Berry et al.	D19/27
D502,744	S	*	3/2005	Hussaini et al.	D21/333
D504,472	S		4/2005	Liu et al.		
D506,611	S	*	6/2005	Hiller et al.	D3/294
D529,283	S	*	10/2006	Vivar et al.	D3/247
D529,963	S	*	10/2006	Hough et al.	D19/90

* cited by examiner

Primary Examiner—Cathron C. Brooks

(74) *Attorney, Agent, or Firm*—Bell, Boyd & Lloyd LLP

1 Claim, 15 Drawing Sheets



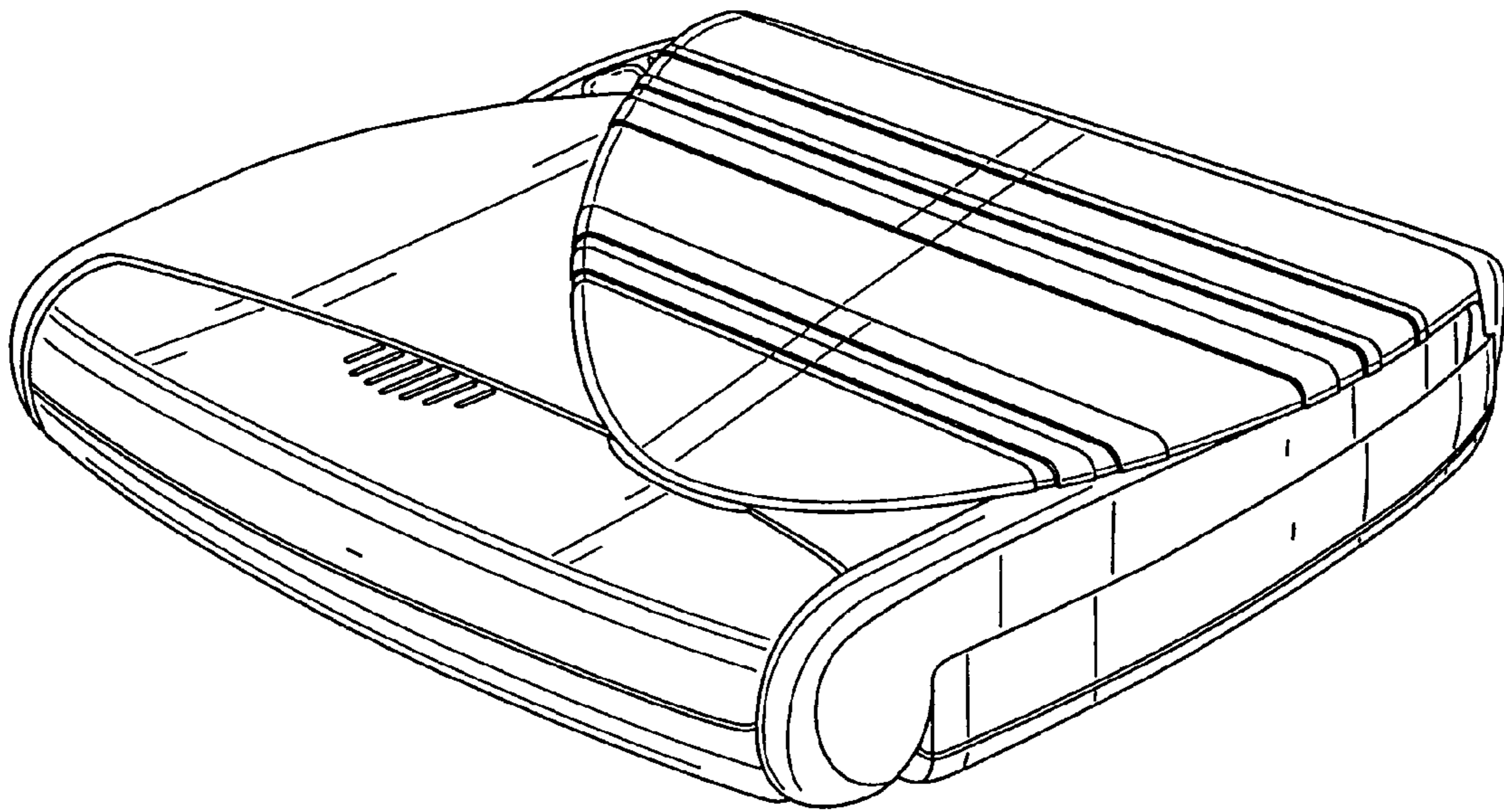


FIG. 1

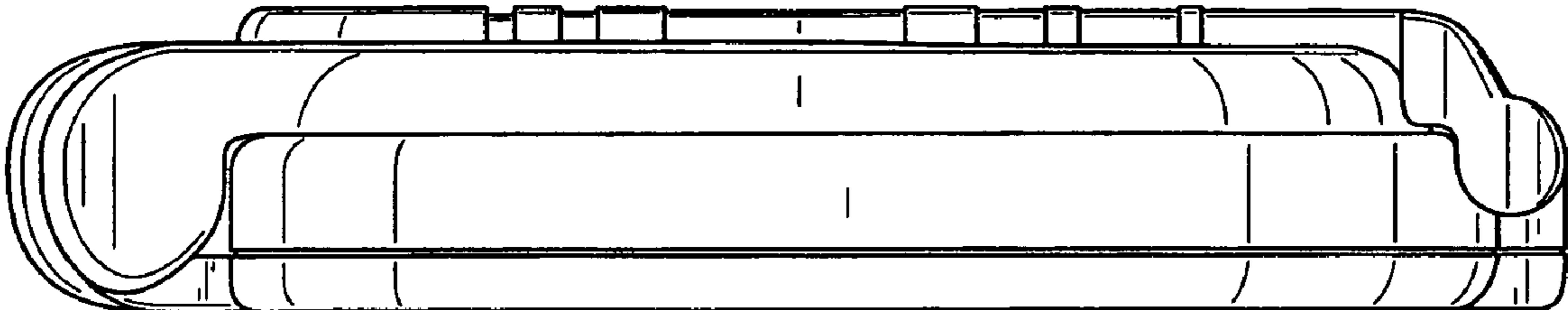


FIG. 2

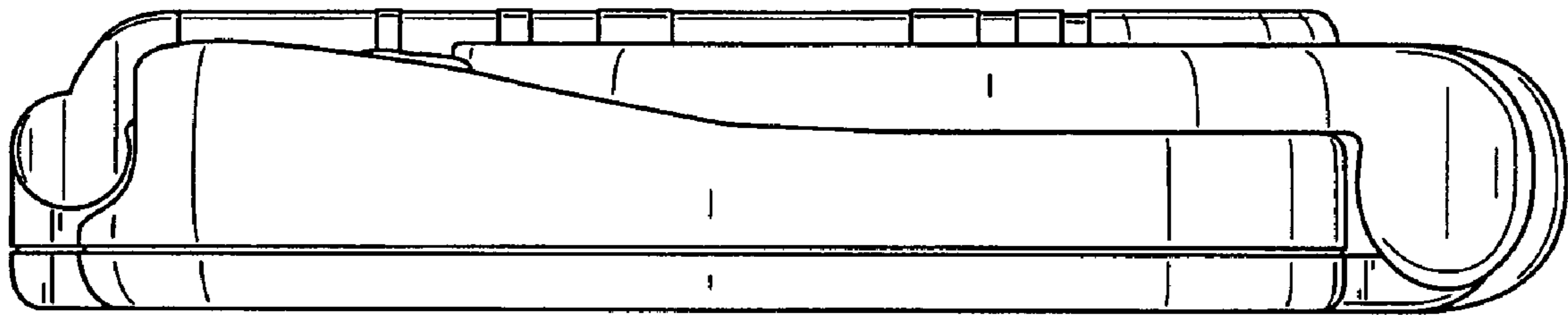


FIG. 3

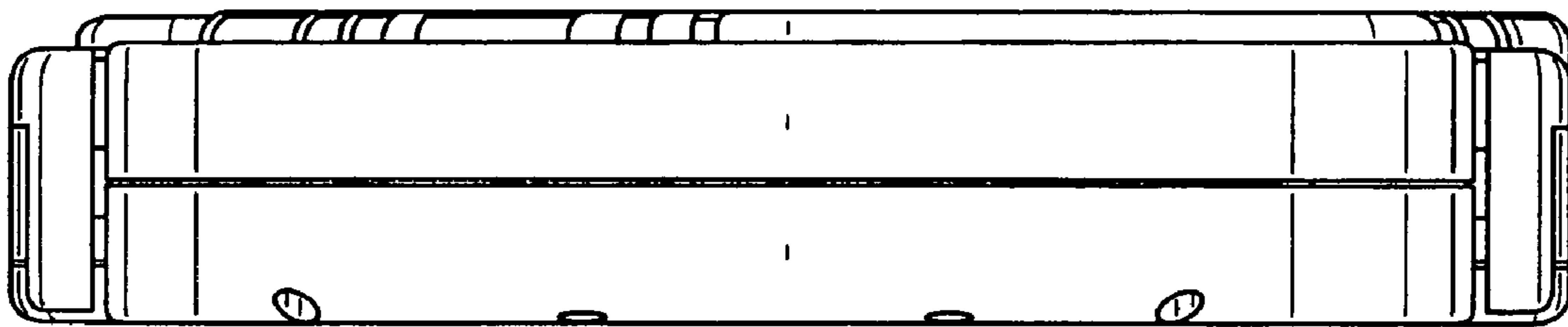


FIG. 4

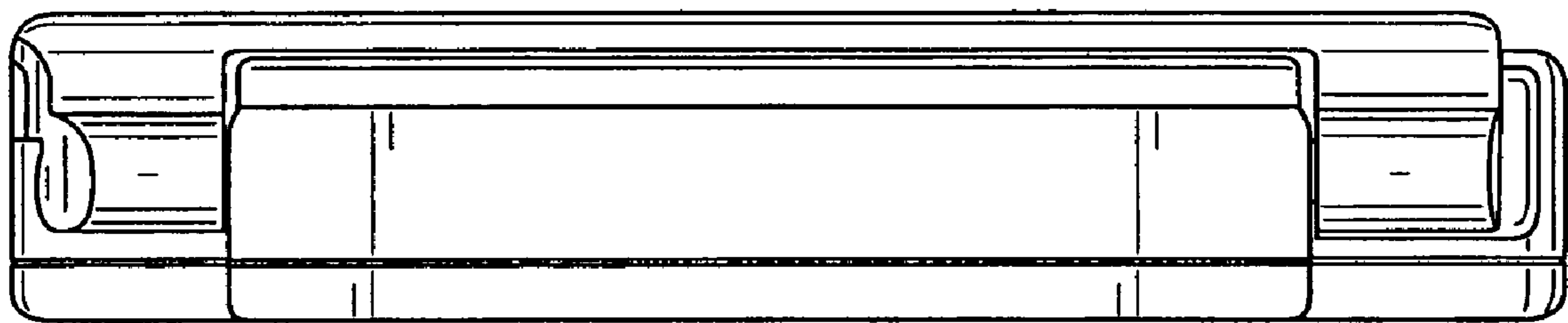


FIG. 5

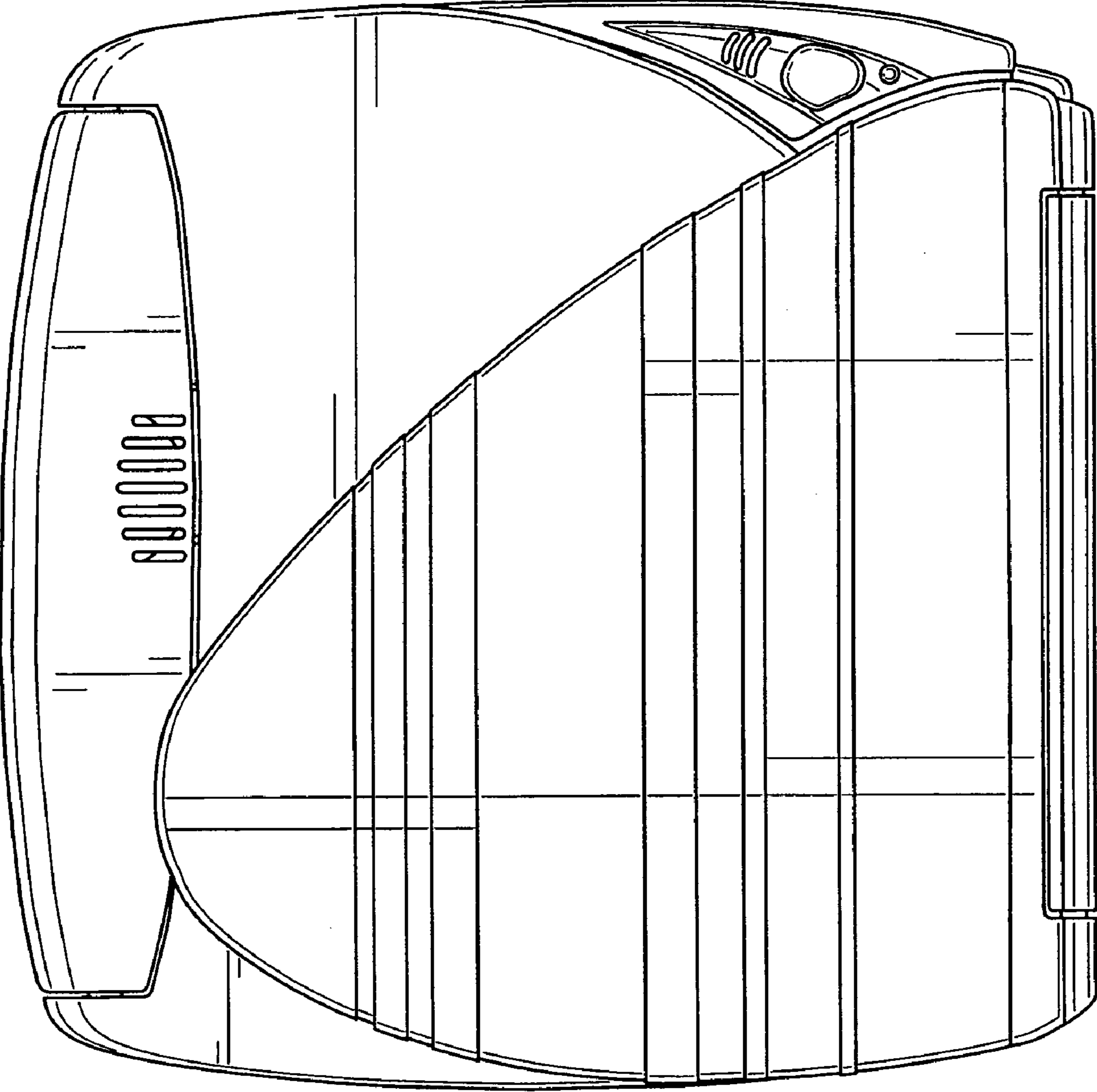


FIG. 6

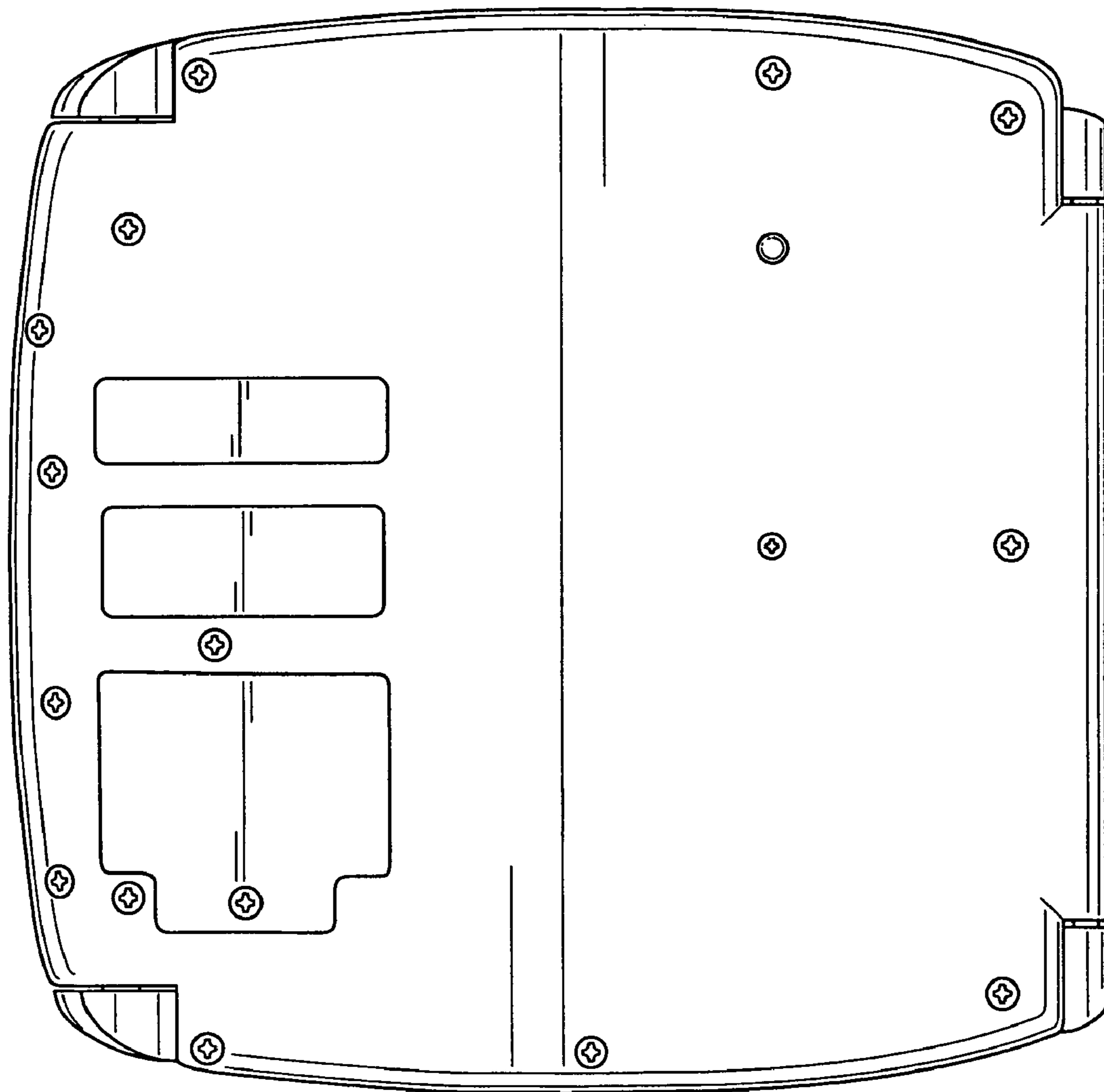


FIG. 7

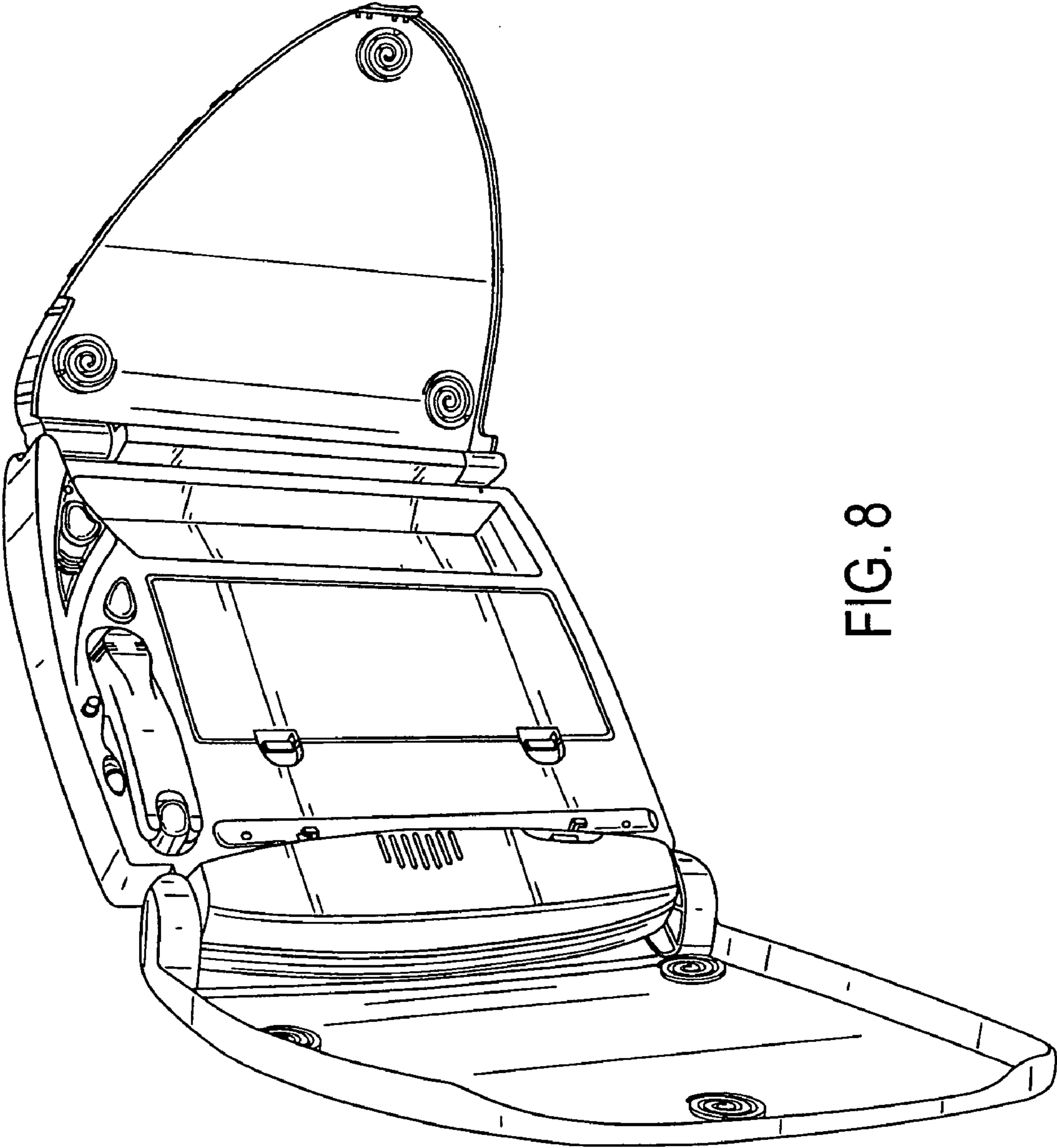


FIG. 8

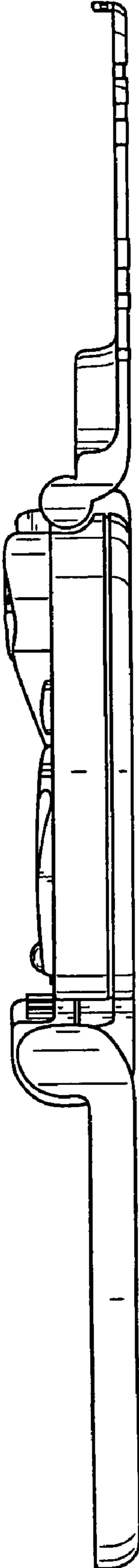


FIG. 9

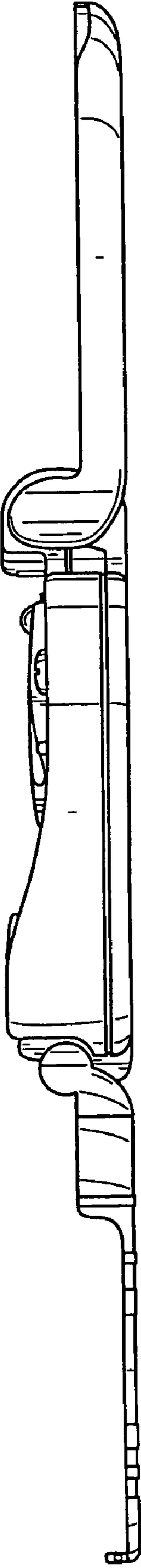


FIG. 10

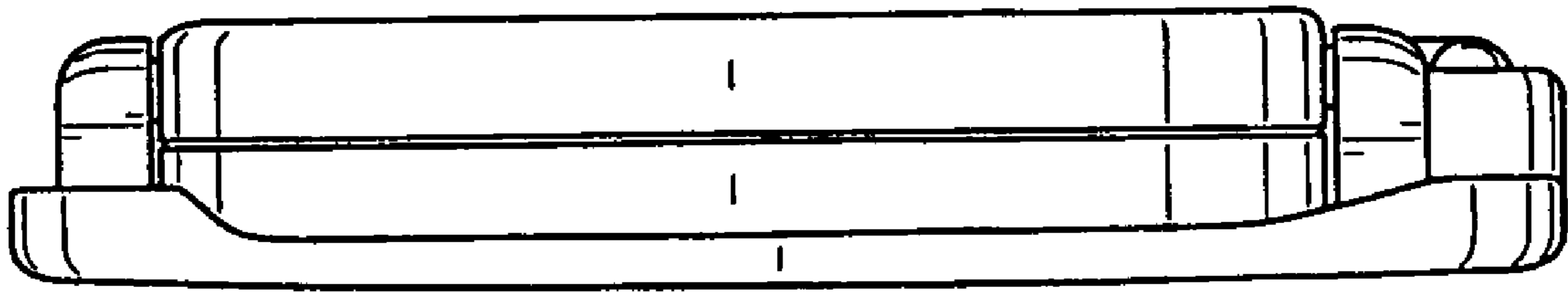


FIG. 11

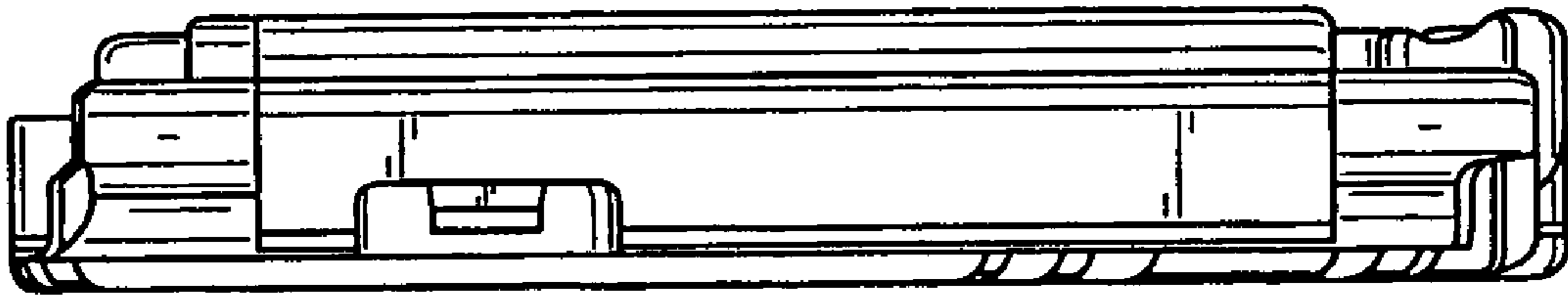


FIG. 12

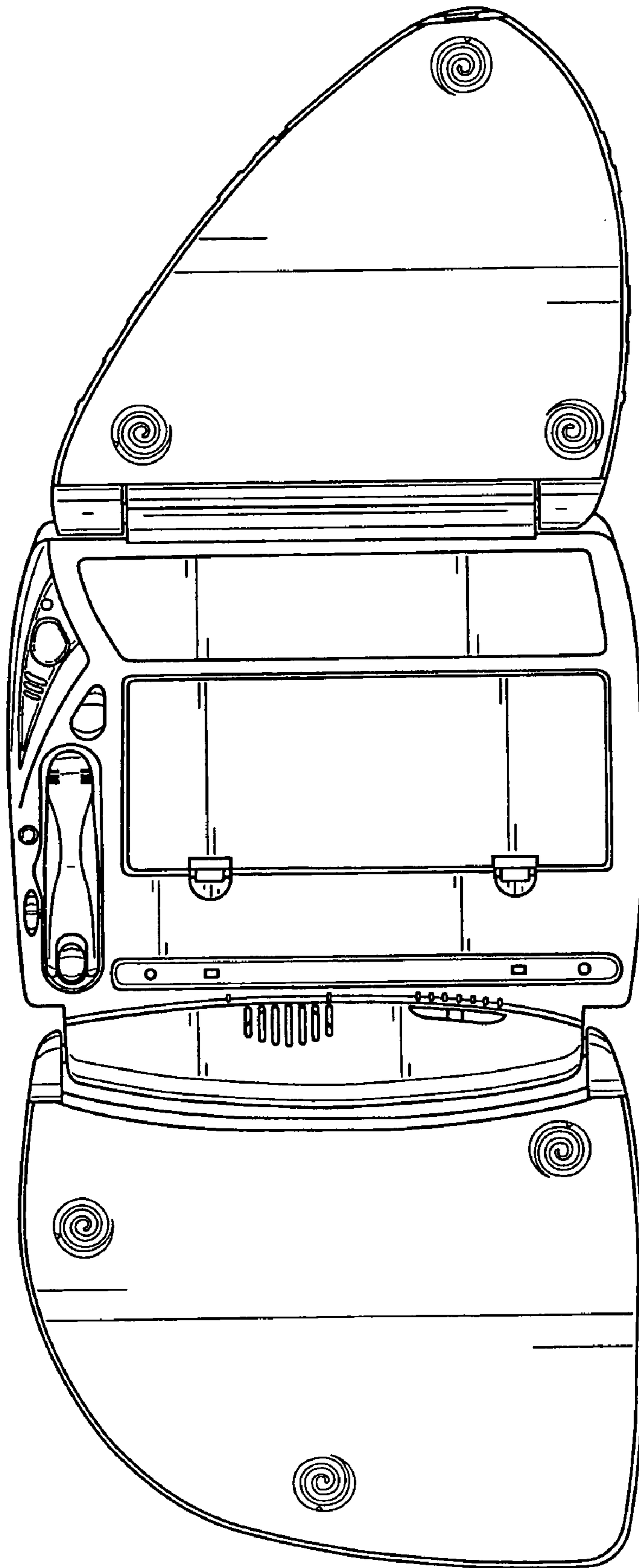


FIG. 13

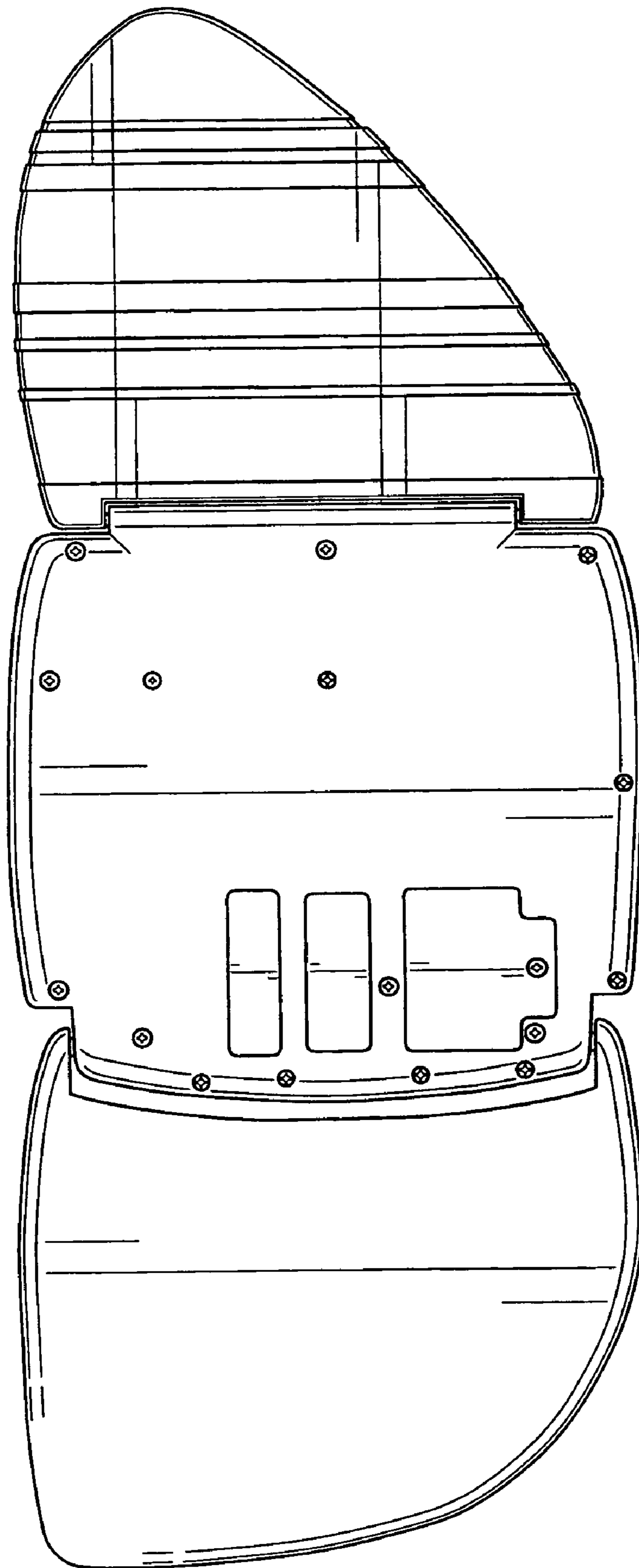


FIG. 14

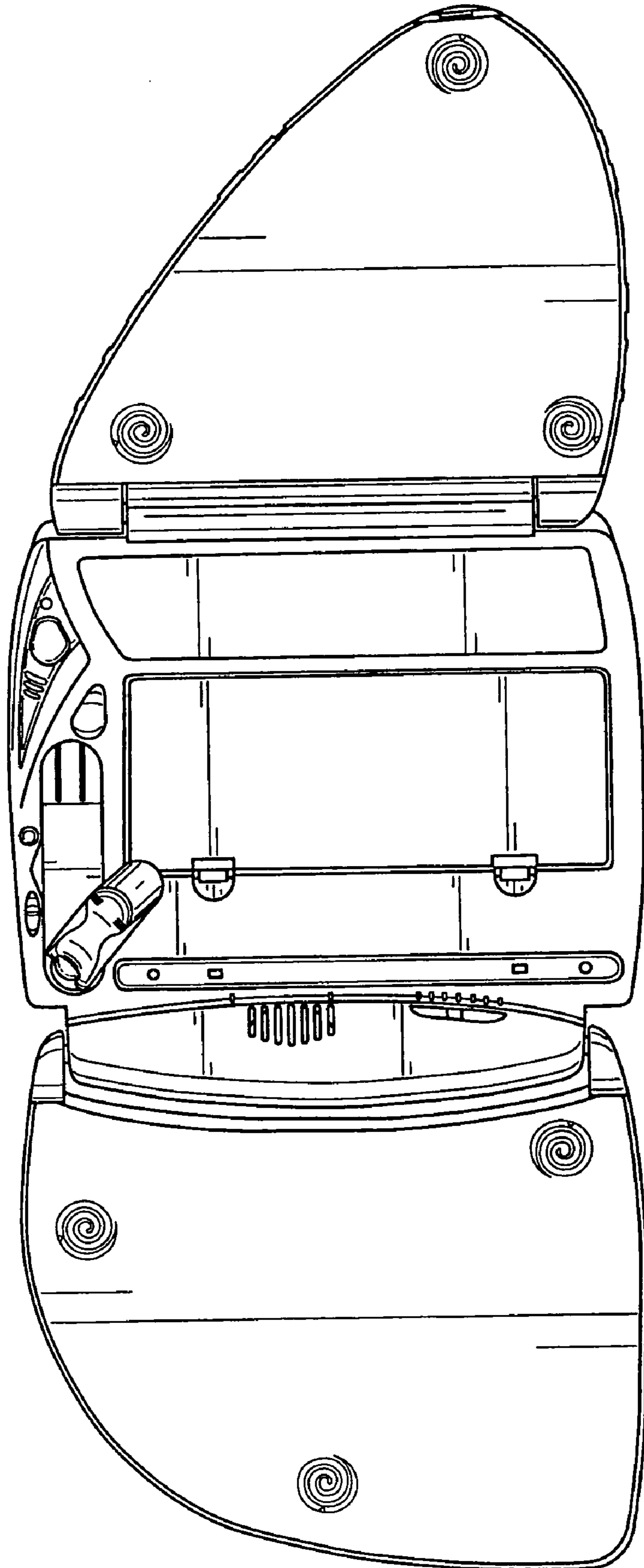


FIG. 15