

US00D544539S

(12) **United States Design Patent**
Singh

(10) **Patent No.:** **US D544,539 S**

(45) **Date of Patent:** **** Jun. 12, 2007**

(54) **RING BINDER WITH BUILT-IN STAPLER**

(76) Inventor: **Avikesh Singh**, 1086 Carolina Ave.,
Clovis, CA (US) 93611

(**) Term: **14 Years**

(21) Appl. No.: **29/240,151**

(22) Filed: **Oct. 11, 2005**

(51) **LOC (8) Cl.** **19-04**

(52) **U.S. Cl.** **D19/27**

(58) **Field of Classification Search** D19/32,
D19/27, 26; D3/247, 276, 201, 249, 273,
D3/294, 274, 243, 245; 281/29, 38, 27.3;
402/3, 4, 31, 19

See application file for complete search history.

(56) **References Cited**

U.S. PATENT DOCUMENTS

| | | | | |
|-----------|-----|---------|----------------|---------|
| 2,088,953 | A | 8/1937 | Greer | |
| D135,393 | S | 3/1943 | Weinger et al. | |
| 4,004,689 | A | 1/1977 | Glasell | |
| 4,484,768 | A * | 11/1984 | Norfleet | 283/116 |
| D285,809 | S | 9/1986 | Sindler | |
| 4,640,451 | A | 2/1987 | Steiner et al. | |
| 4,838,724 | A | 6/1989 | Spence, Jr. | |
| 4,964,508 | A | 10/1990 | Balsley | |
| 5,232,301 | A | 8/1993 | Bianco | |
| 5,350,249 | A | 9/1994 | Peters | |
| 5,407,076 | A * | 4/1995 | Sabet | 206/581 |
| D358,839 | S * | 5/1995 | Lipic | D19/26 |
| 5,494,366 | A | 2/1996 | Pell et al. | |
| 5,613,791 | A | 3/1997 | Medenica | |
| D382,900 | S | 8/1997 | Wyant | |
| 5,678,943 | A | 10/1997 | Parsons | |

| | | | | |
|-----------|------|---------|-----------------|----------|
| 5,713,683 | A | 2/1998 | Bergh et al. | |
| 6,179,332 | B1 * | 1/2001 | Funkhouser | 281/21.1 |
| D455,781 | S * | 4/2002 | Jobelius et al. | D19/2 |
| D467,966 | S * | 12/2002 | Lepisto | D19/26 |
| D496,396 | S * | 9/2004 | Hyman | D19/27 |
| D502,502 | S * | 3/2005 | Brann | D19/26 |
| D514,620 | S * | 2/2006 | Brann | D19/27 |
| D524,862 | S * | 7/2006 | Arceneaux | D19/26 |

* cited by examiner

Primary Examiner—Cathron C. Brooks

Assistant Examiner—Austin Murphy

(74) *Attorney, Agent, or Firm*—Donald R. Schoonover

(57) **CLAIM**

I claim the ornamental design for a ring binder with built-in stapler, as shown and described.

DESCRIPTION

FIG. 1 is a perspective view of a ring binder with built-in stapler showing my new design;

FIG. 2 is a front elevational view thereof;

FIG. 3 is a bottom plan view thereof;

FIG. 4 is a top plan view thereof;

FIG. 5 is a rear elevational view thereof;

FIG. 6 is a right side elevational view thereof;

FIG. 7 is a left side elevational view thereof; and,

FIG. 8 is a perspective view showing the ring binder with built-in stapler in use; the broken lines depict environmental structure for illustrative purposes only and form no part of the claimed design.

1 Claim, 2 Drawing Sheets

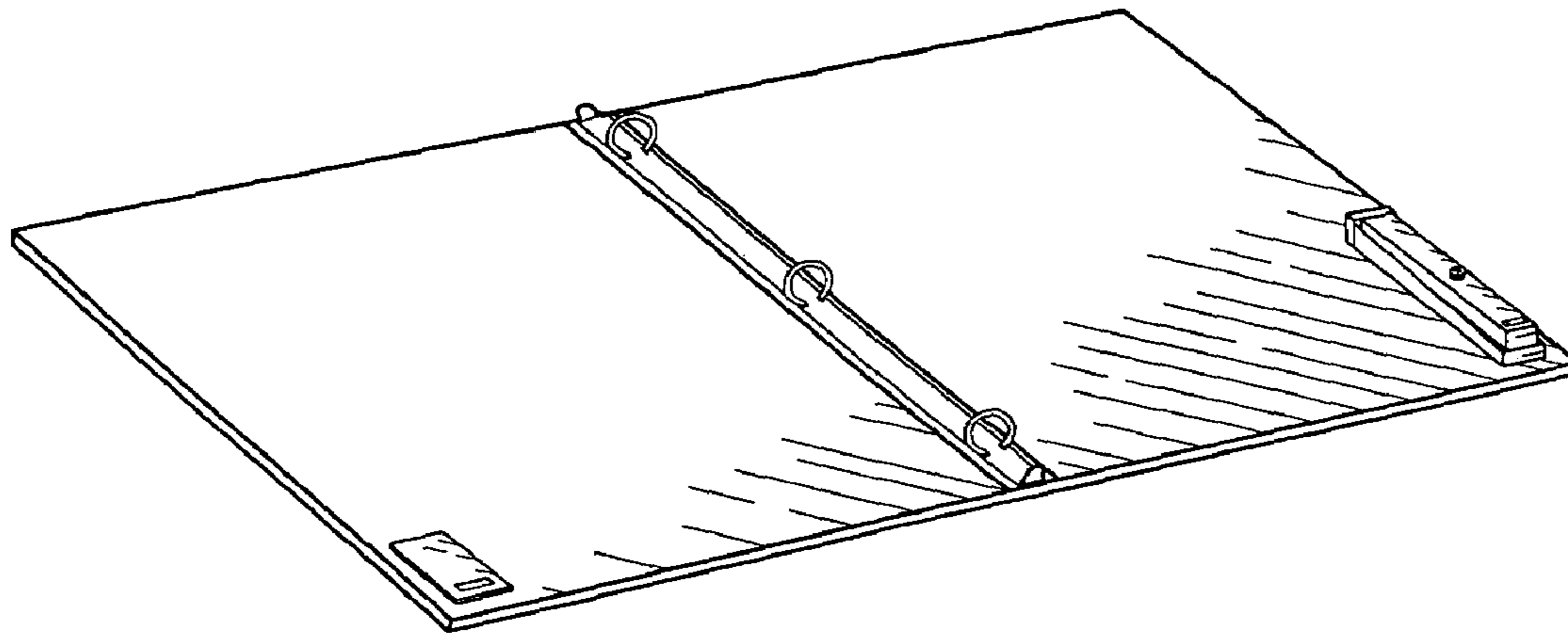


Fig. 1

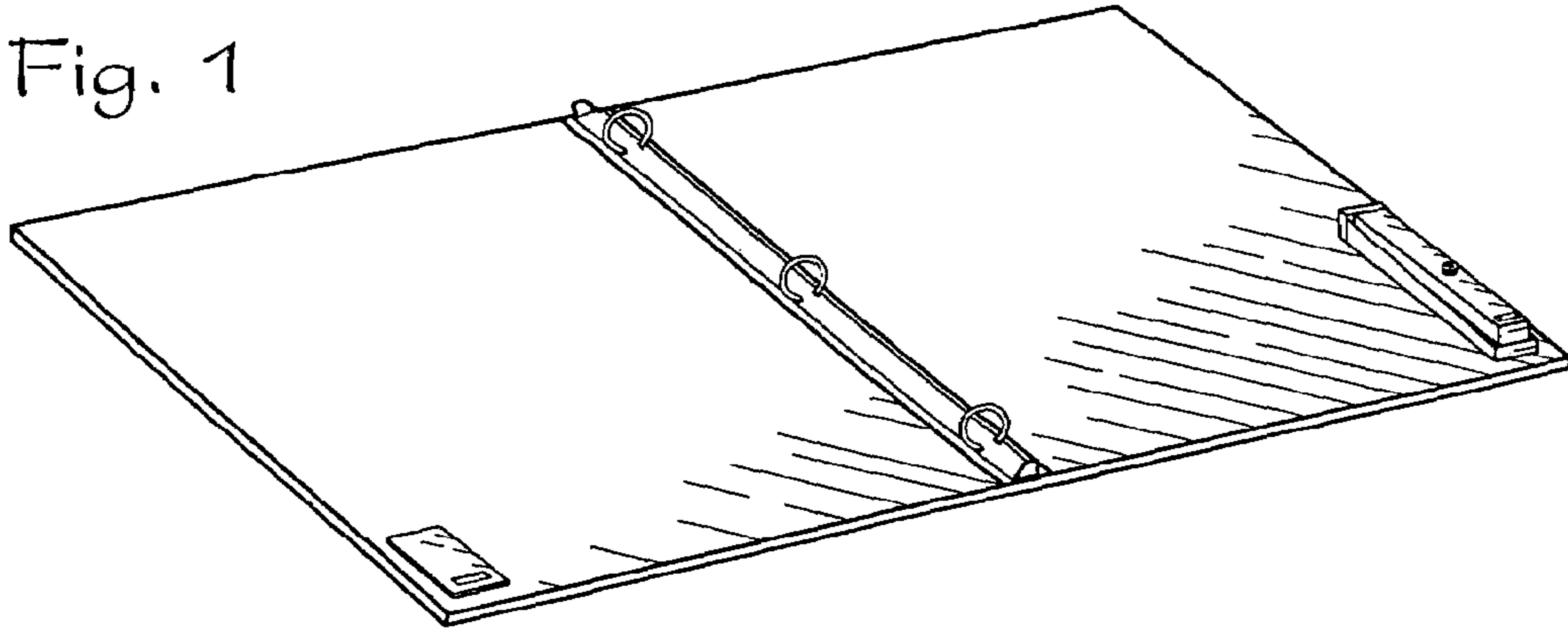


Fig. 2

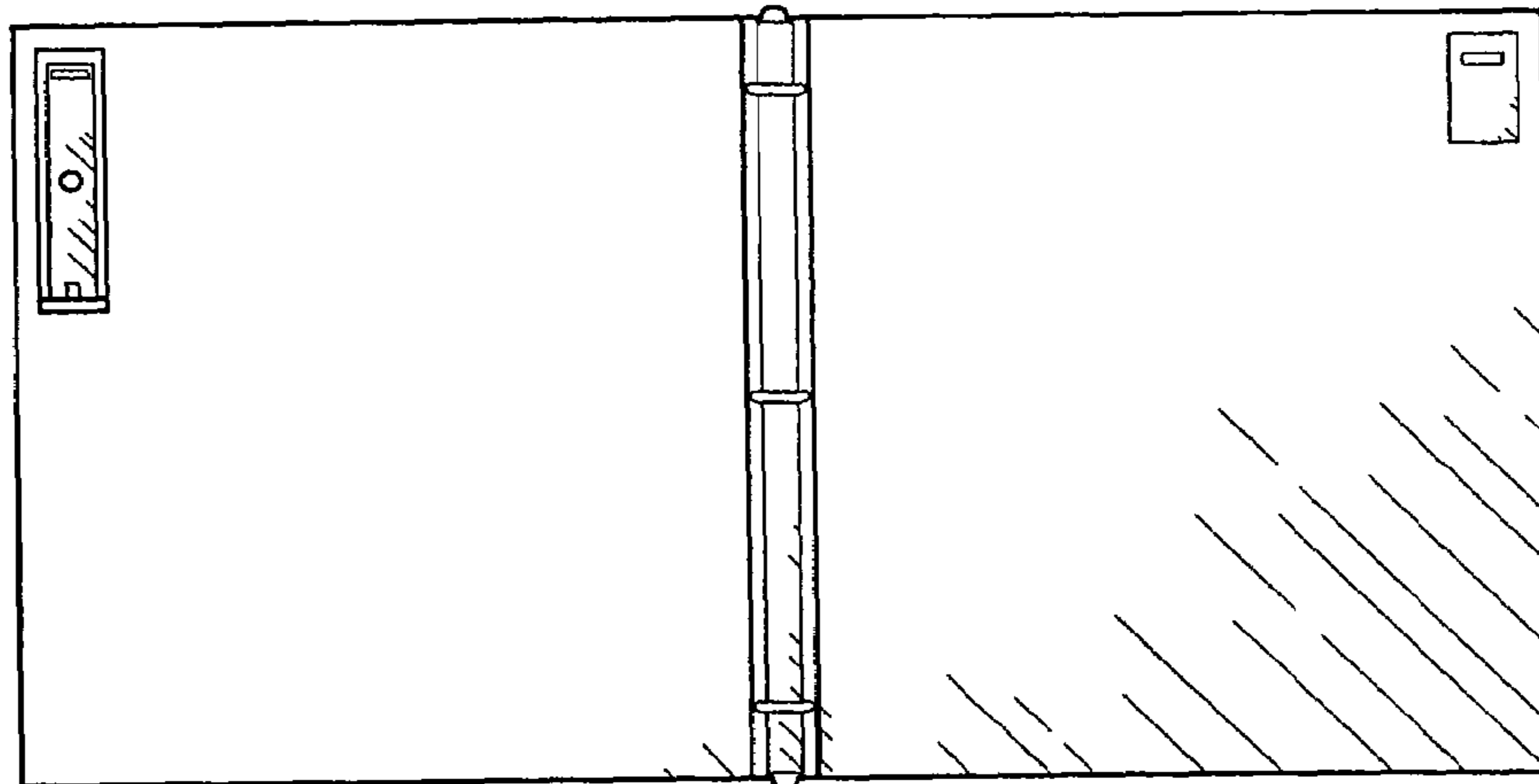


Fig. 3



Fig. 4



Fig. 5

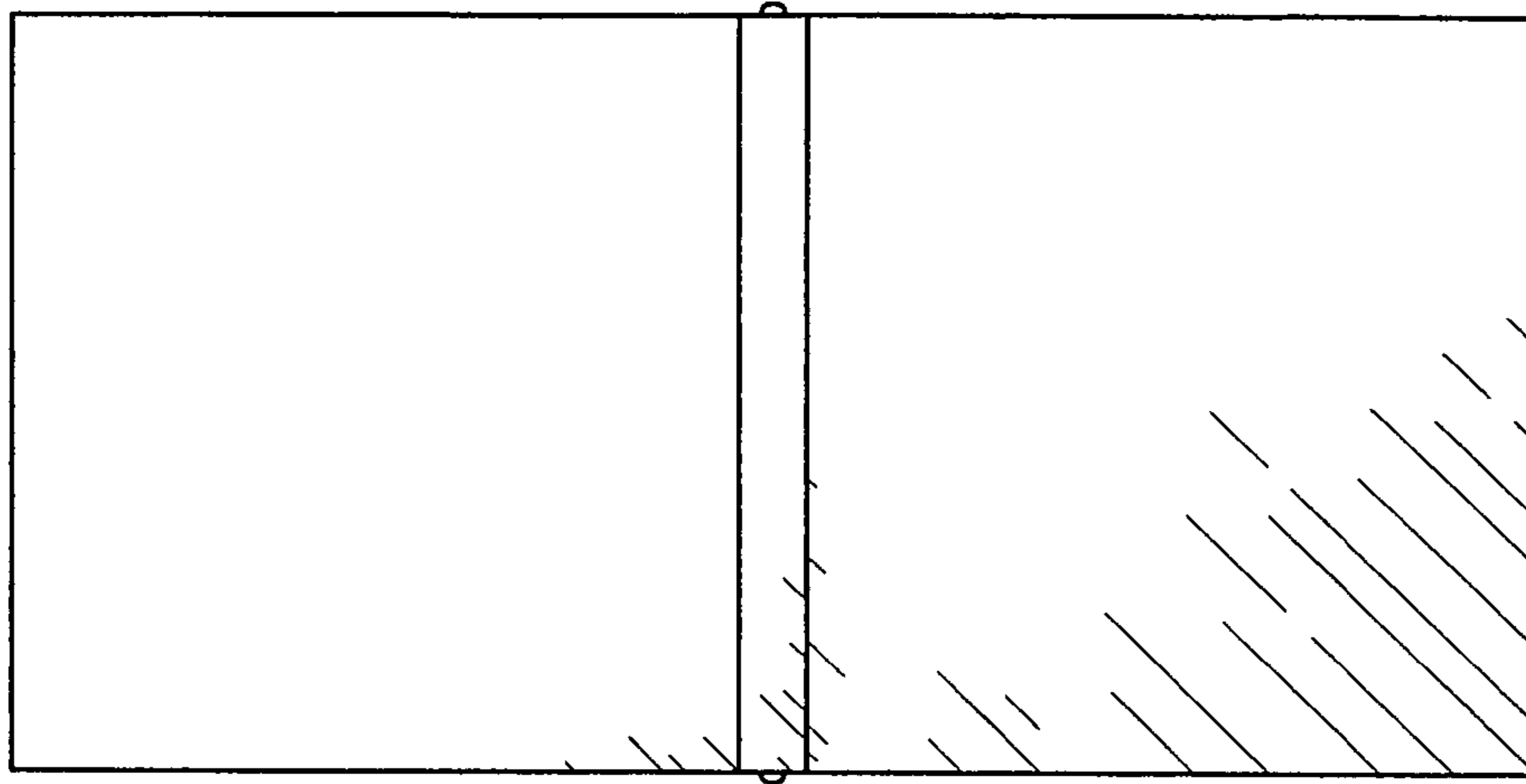


Fig. 6

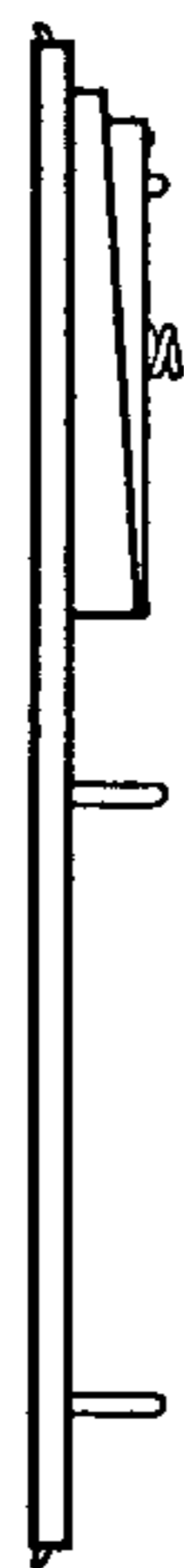


Fig. 7

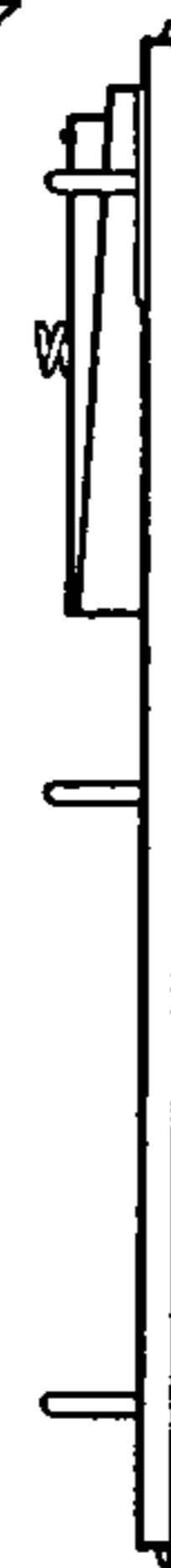


Fig. 8

