



US00D544538S

(12) **United States Design Patent**
Kesselring

(10) **Patent No.:** **US D544,538 S**

(45) **Date of Patent:** **** Jun. 12, 2007**

(54) **BINDER**

(75) Inventor: **Timothy B. Kesselring**, Bainbridge,
NY (US)

(73) Assignee: **MeadWestvaco Corporation**, Glen
Allen, VA (US)

(**) Term: **14 Years**

(21) Appl. No.: **29/227,325**

(22) Filed: **Apr. 8, 2005**

(51) **LOC (8) Cl.** **19-04**

(52) **U.S. Cl.** **D19/27**

(58) **Field of Classification Search** D19/32,
D19/27, 26; D3/247, 276, 201, 249, 273,
D3/294, 274, 243, 245; 281/29, 38, 27.3;
402/3, 4, 31, 19

See application file for complete search history.

(56) **References Cited**

U.S. PATENT DOCUMENTS

D263,897 S *	4/1982	Thornton	D3/243
D279,113 S *	6/1985	Beall	D19/26
D285,809 S *	9/1986	Sindler	D19/27
4,687,036 A *	8/1987	Thomas	150/118
D303,809 S *	10/1989	Klein	D19/27
D319,146 S *	8/1991	Vittetoe	D3/249
D325,126 S *	4/1992	Costello	D3/203.8
D330,115 S *	10/1992	O'Brien	D3/249
D351,281 S *	10/1994	Petryk	D3/230

D358,839 S *	5/1995	Lipic	D19/26
D429,562 S *	8/2000	Lau	D3/226
D451,672 S *	12/2001	Rasmussen	D3/276
D462,518 S *	9/2002	Truffier-Blanc et al.	D3/273
D524,045 S *	7/2006	Handley	D3/243
D525,784 S *	8/2006	Handley	D3/243

* cited by examiner

Primary Examiner—Cathron C. Brooks

Assistant Examiner—Austin Murphy

(74) *Attorney, Agent, or Firm*—George R. McGuire; Bond,
Schoeneck & King, PLLC

(57) **CLAIM**

The ornamental design for a binder, as shown and described.

DESCRIPTION

FIG. 1 is a perspective view of a new and ornamental design for a binder.

FIG. 2 is a front elevation view thereof;

FIG. 3 is a top plan view thereof;

FIG. 4 is a bottom plan view thereof;

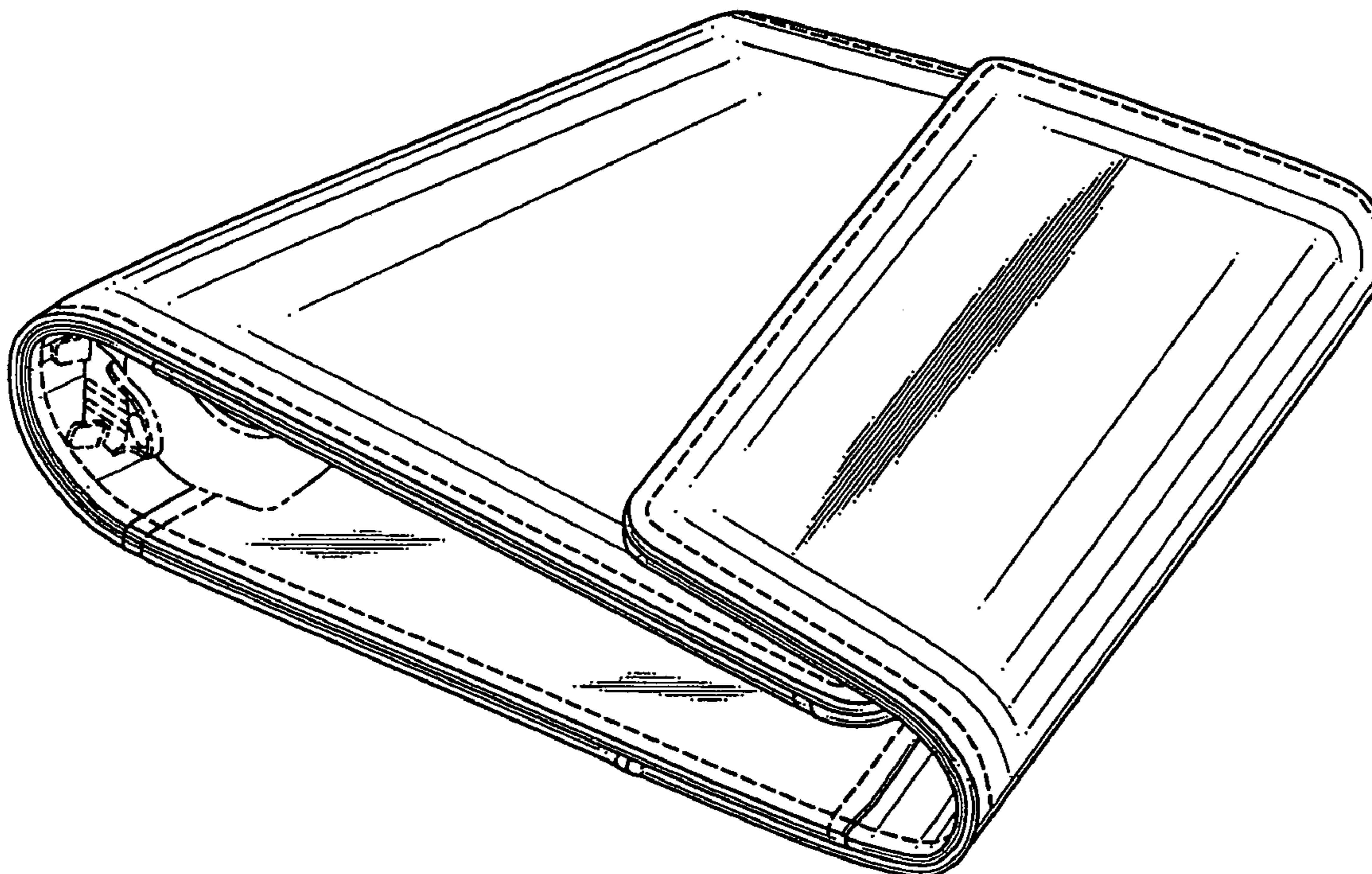
FIG. 5 is a left side elevation view thereof;

FIG. 6 is a right side elevation view thereof; and,

FIG. 7 is a rear elevation view thereof.

The broken line showing of the inner binding rings and base structure shown in FIGS. 1, 3, and 4 form no part of the claimed design.

1 Claim, 3 Drawing Sheets



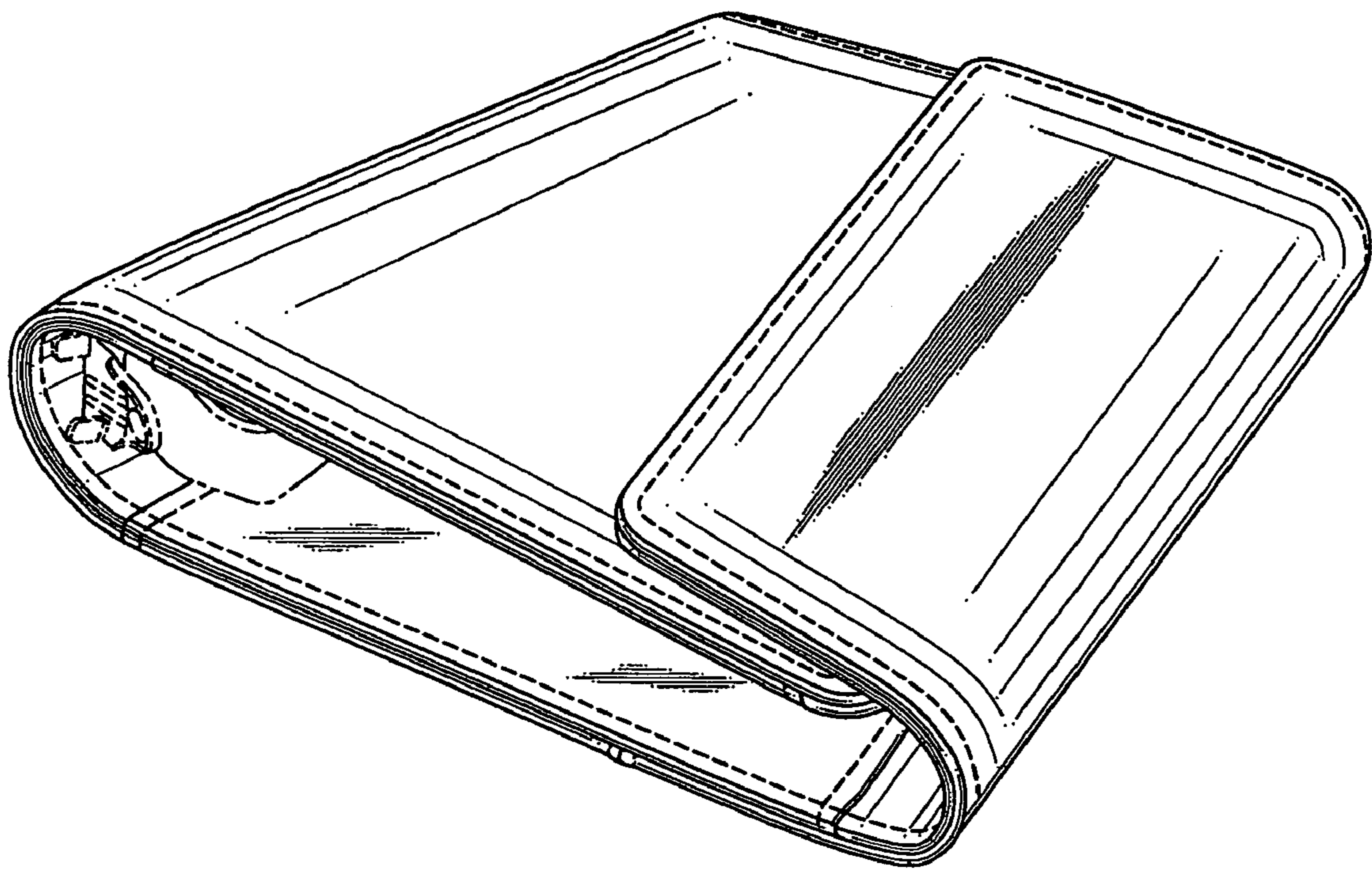


FIG. 1

FIG.3

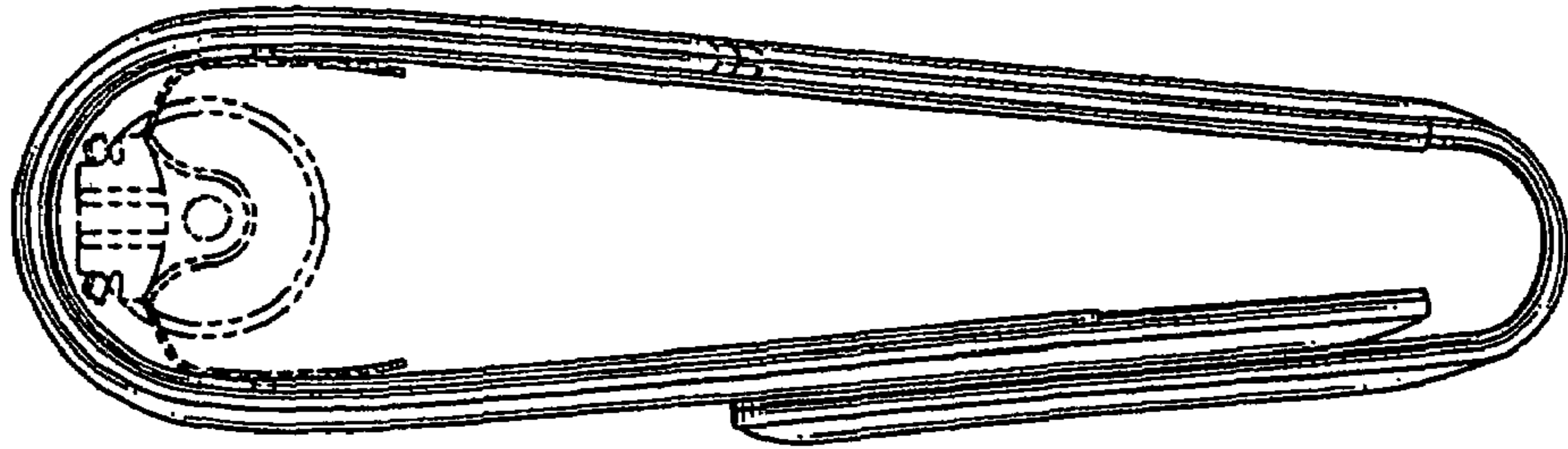


FIG.2

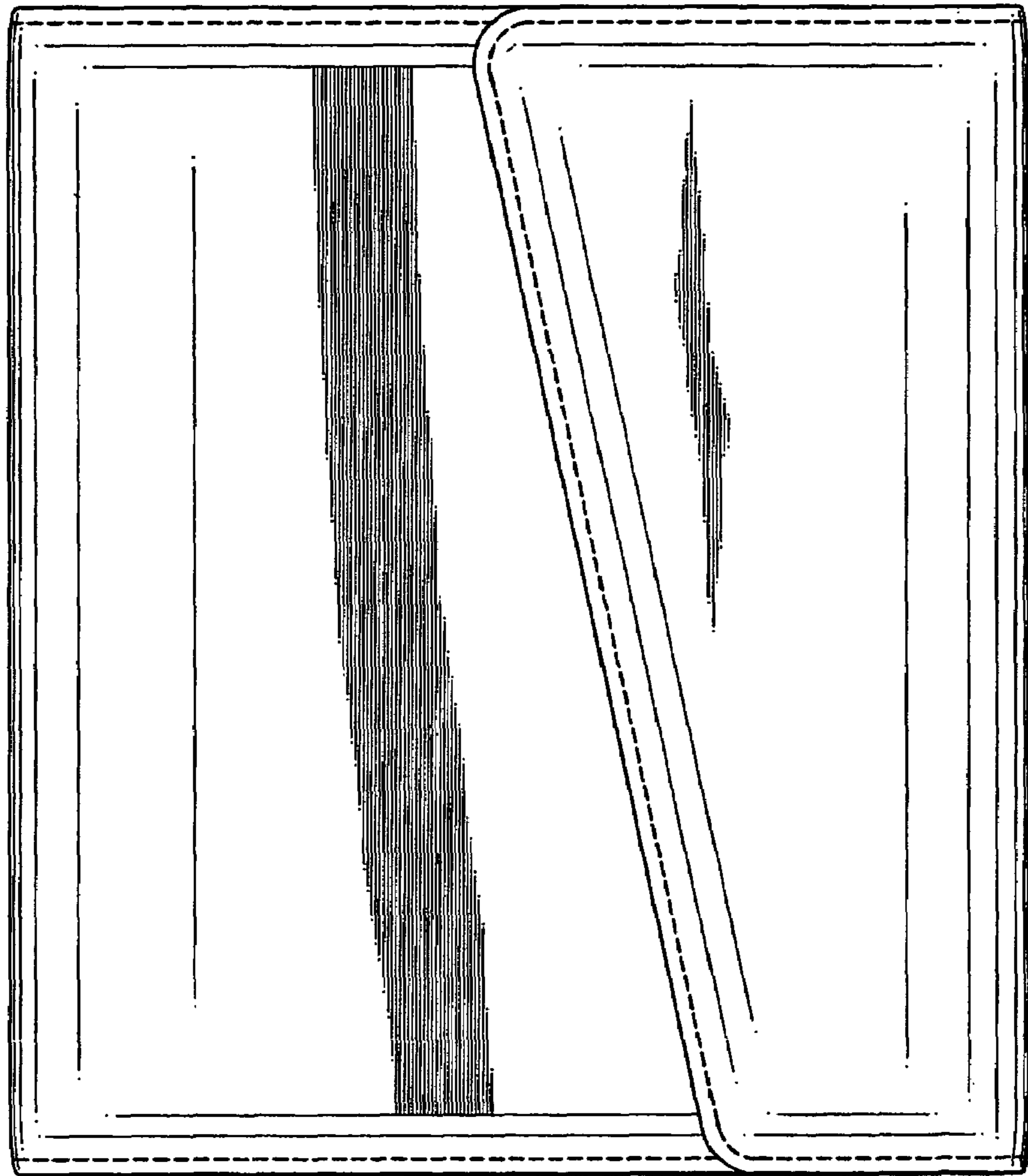
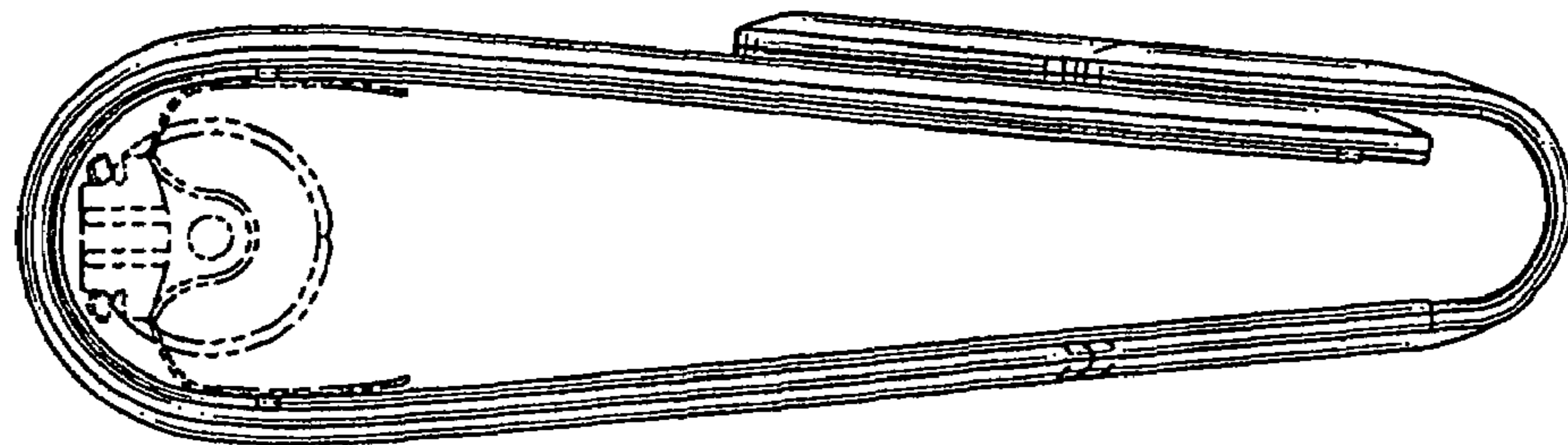


FIG.4



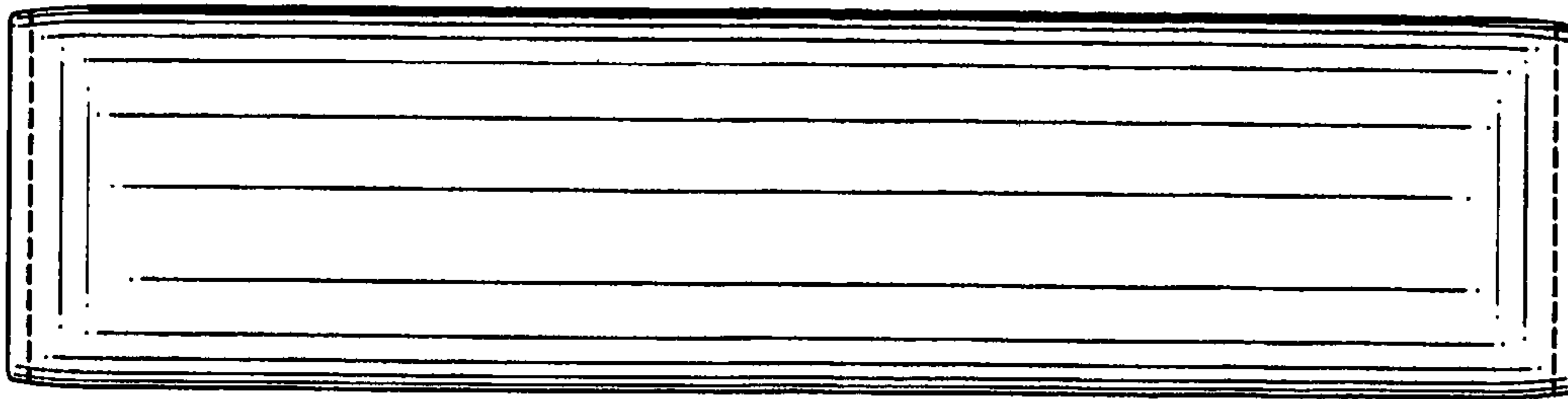


FIG. 6

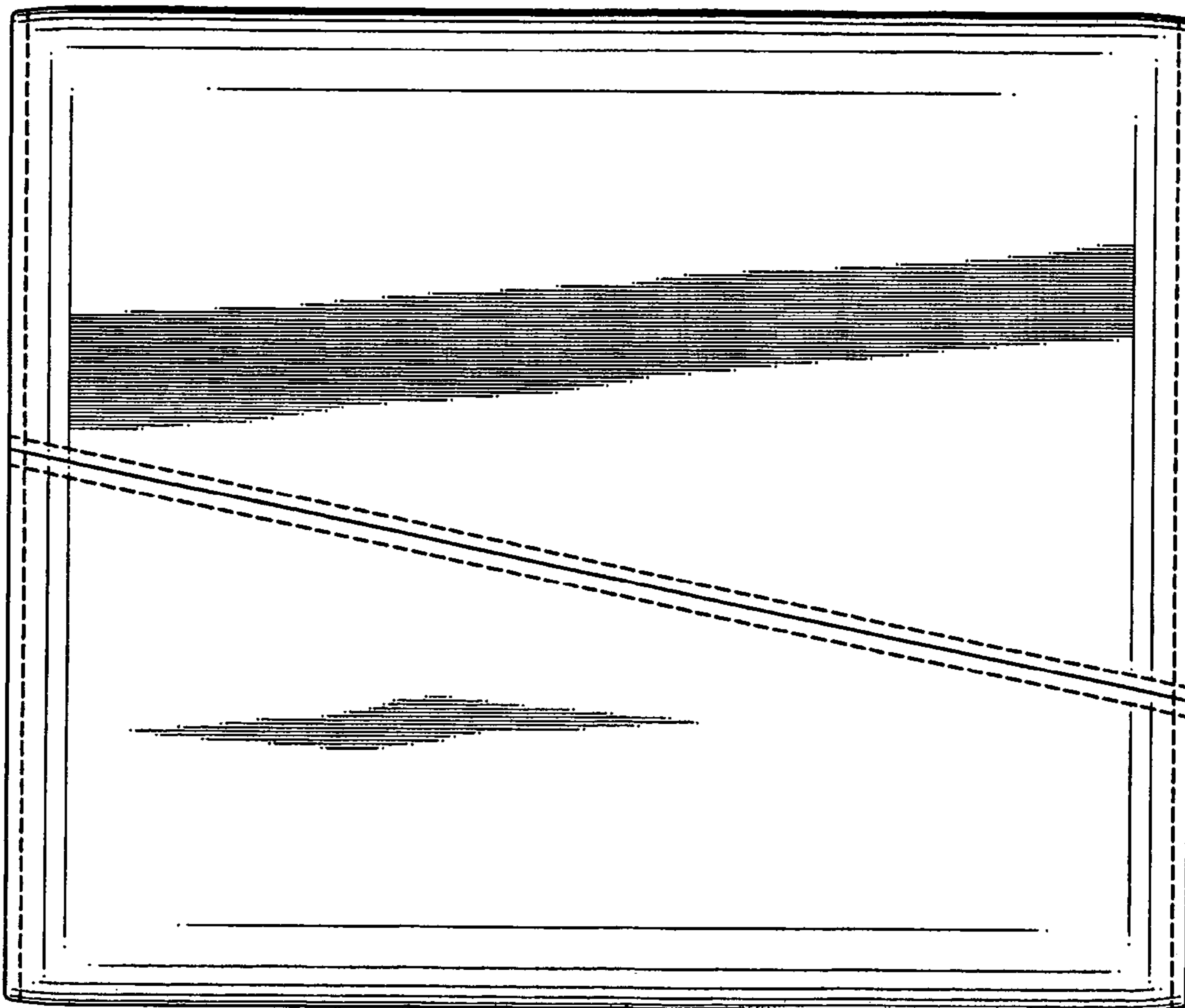


FIG. 7

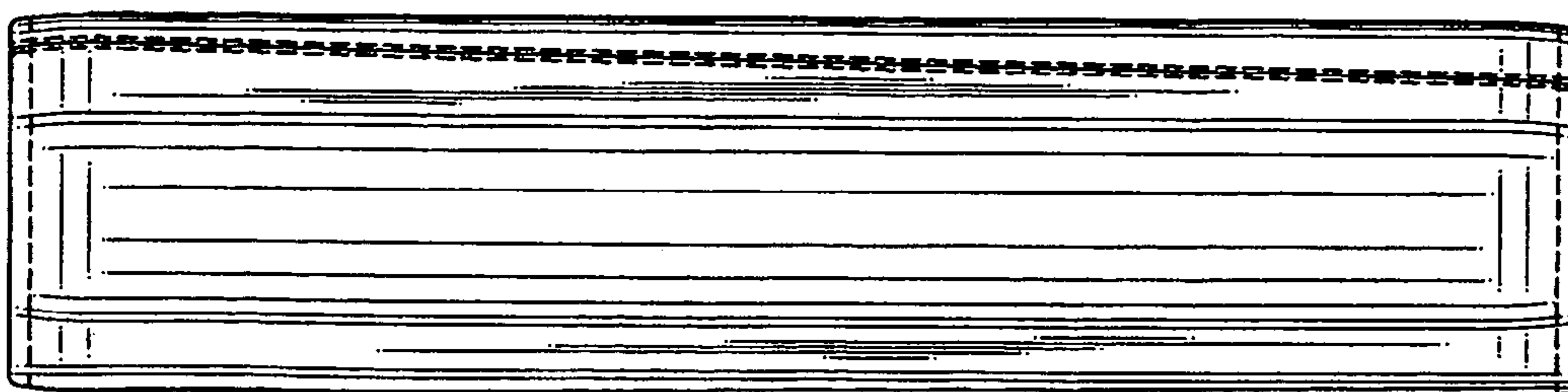


FIG. 5