

US00D544537S

(12) **United States Design Patent**
Nakamura et al.

(10) **Patent No.:** **US D544,537 S**

(45) **Date of Patent:** **** Jun. 12, 2007**

(54) **TAPE CARTRIDGE FOR TAPE PRINTING MACHINE**

(75) Inventors: **Yasunori Nakamura**, Shinshiro (JP);
Terumasa Hoshino, Nagoya (JP);
Haruki Matsumoto, Nagoya (JP)

(73) Assignee: **Brother Industries, Ltd.**, Nagoya (JP)

(**) Term: **14 Years**

(21) Appl. No.: **29/261,658**

(22) Filed: **Jun. 19, 2006**

(30) **Foreign Application Priority Data**

Dec. 21, 2005 (JP) 2005-037651

(51) **LOC (8) Cl.** **18-02**

(52) **U.S. Cl.** **D18/56**

(58) **Field of Classification Search** D18/12,
D18/40, 43, 56; D14/435, 471, 481, 483-484;
339/110; 347/178, 214; 400/193, 196, 196.1,
400/207-208, 208.1, 240.4, 242, 613
See application file for complete search history.

(56) **References Cited**

U.S. PATENT DOCUMENTS

4,408,914 A * 10/1983 Ciesiel et al. 400/208
D280,212 S * 8/1985 Bossack et al. D18/12
4,710,045 A * 12/1987 Lim 400/242
4,886,385 A * 12/1989 Cappotto 400/234
5,141,342 A * 8/1992 Kawahara 400/207
D351,410 S * 10/1994 Raleigh D18/12

5,433,540 A * 7/1995 Alday 400/207
6,053,648 A * 4/2000 Mistyurik 400/693
6,260,834 B1 * 7/2001 Colonel et al. 267/73
6,695,500 B2 * 2/2004 Kim et al. 400/613
D527,420 S * 8/2006 Okuchi et al. D18/56
7,104,712 B2 * 9/2006 Sugimoto et al. 400/613
2005/0271441 A1 * 12/2005 Bouverie et al. 400/234

* cited by examiner

Primary Examiner—Cathy Anne MacCormac

(74) *Attorney, Agent, or Firm*—Oliff & Berridge, PLC

(57) **CLAIM**

The ornamental design for a tape cartridge for tape printing machine, as shown and described.

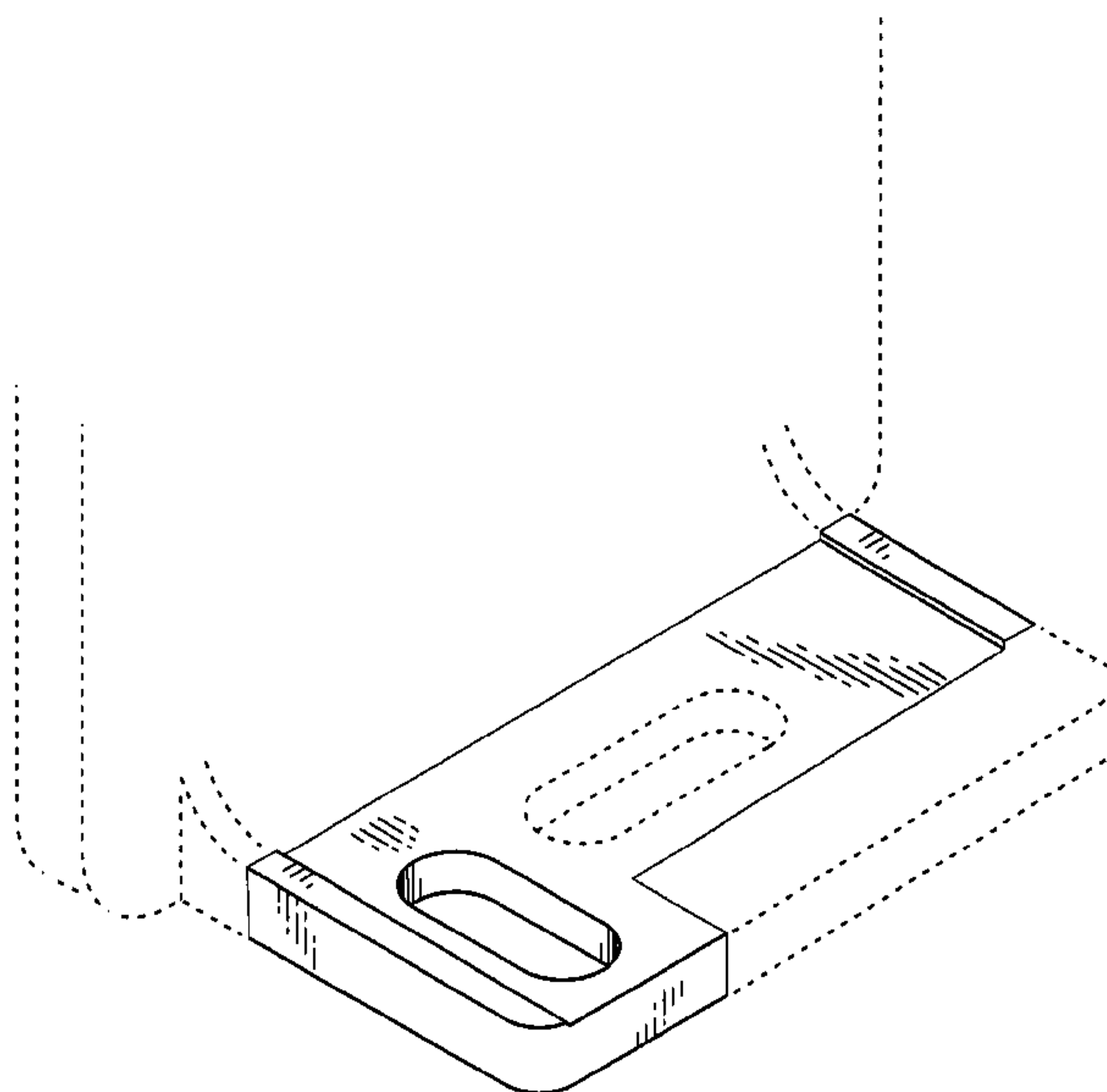
DESCRIPTION

FIG. 1 is a perspective view of a tape cartridge for tape printing machine;
FIG. 2 is an enlarged perspective view thereof;
FIG. 3 is a front view thereof;
FIG. 4 is a rear view thereof;
FIG. 5 is right-side view thereof;
FIG. 6 is a bottom view thereof;
FIG. 7 is a top view thereof; and
FIG. 8 is an enlarged cross-sectional view taken along the line 8-8 of FIG. 7 .

The broken lines are for illustrative purposes only and do not form part of the claimed design.

The dash-dot-dash line in FIG. 5 and 7 illustrates a portion of the tape cartridge for the purpose of revealing the claimed design.

1 Claim, 6 Drawing Sheets



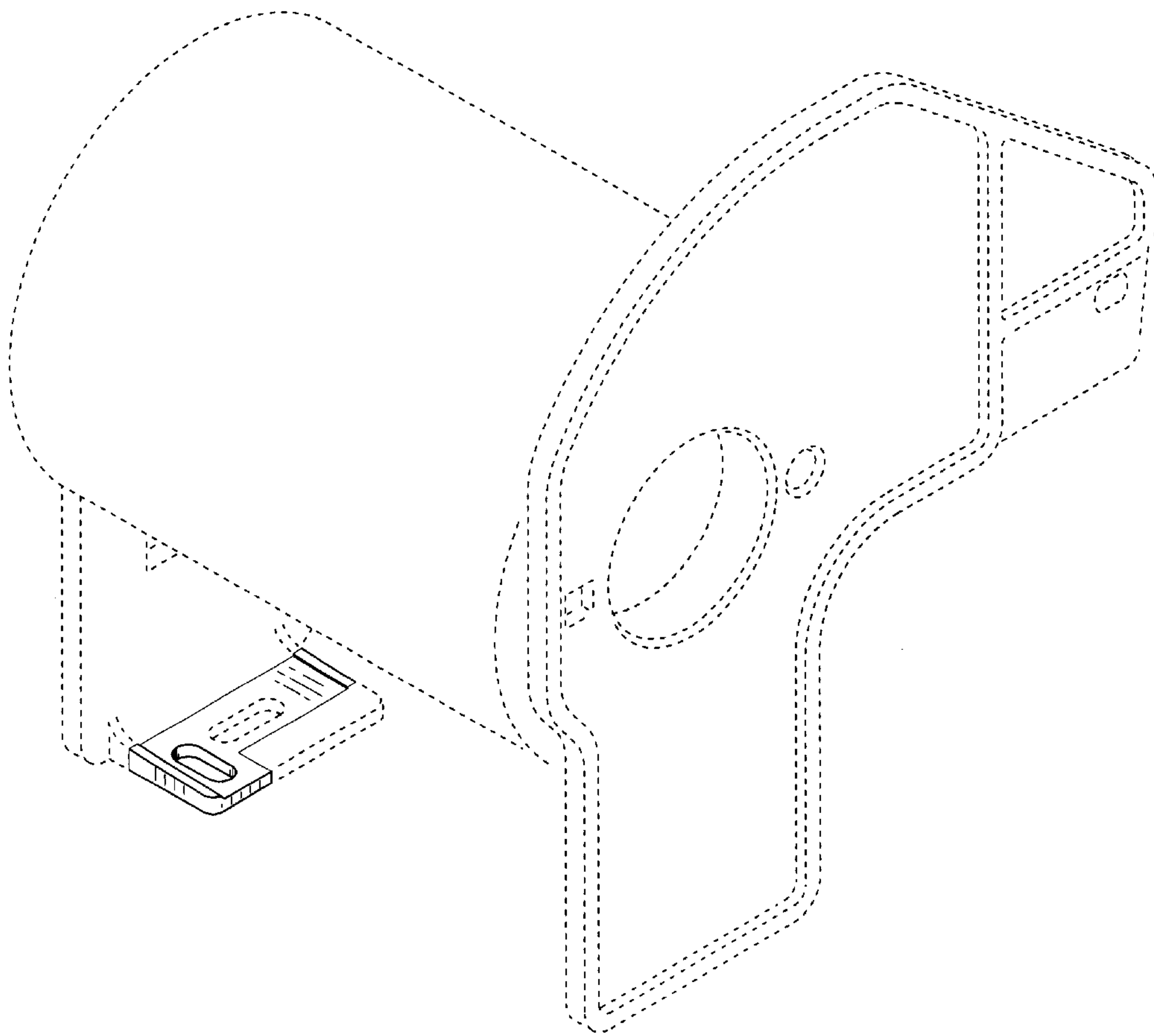


FIG. 1

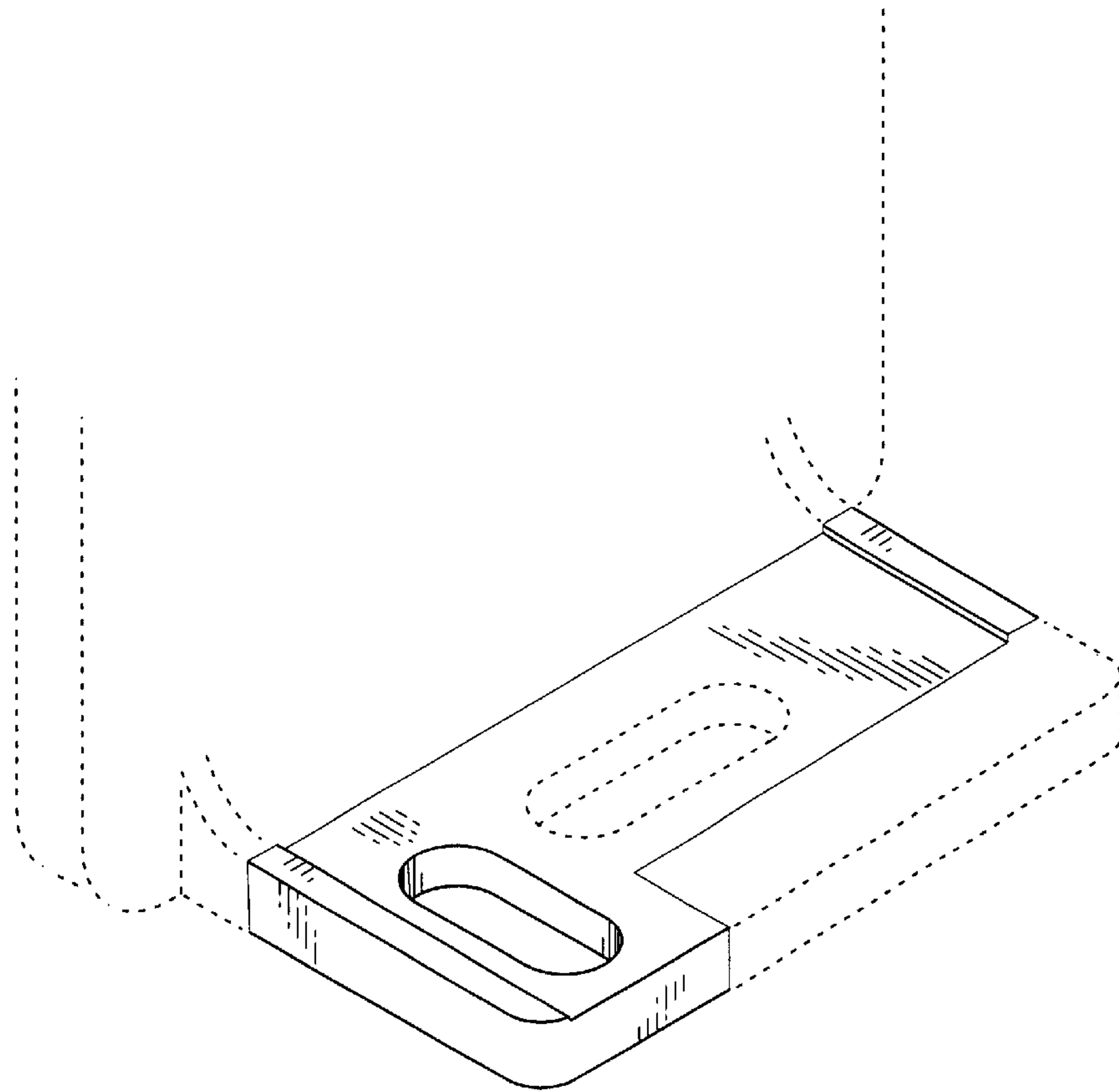


FIG. 2

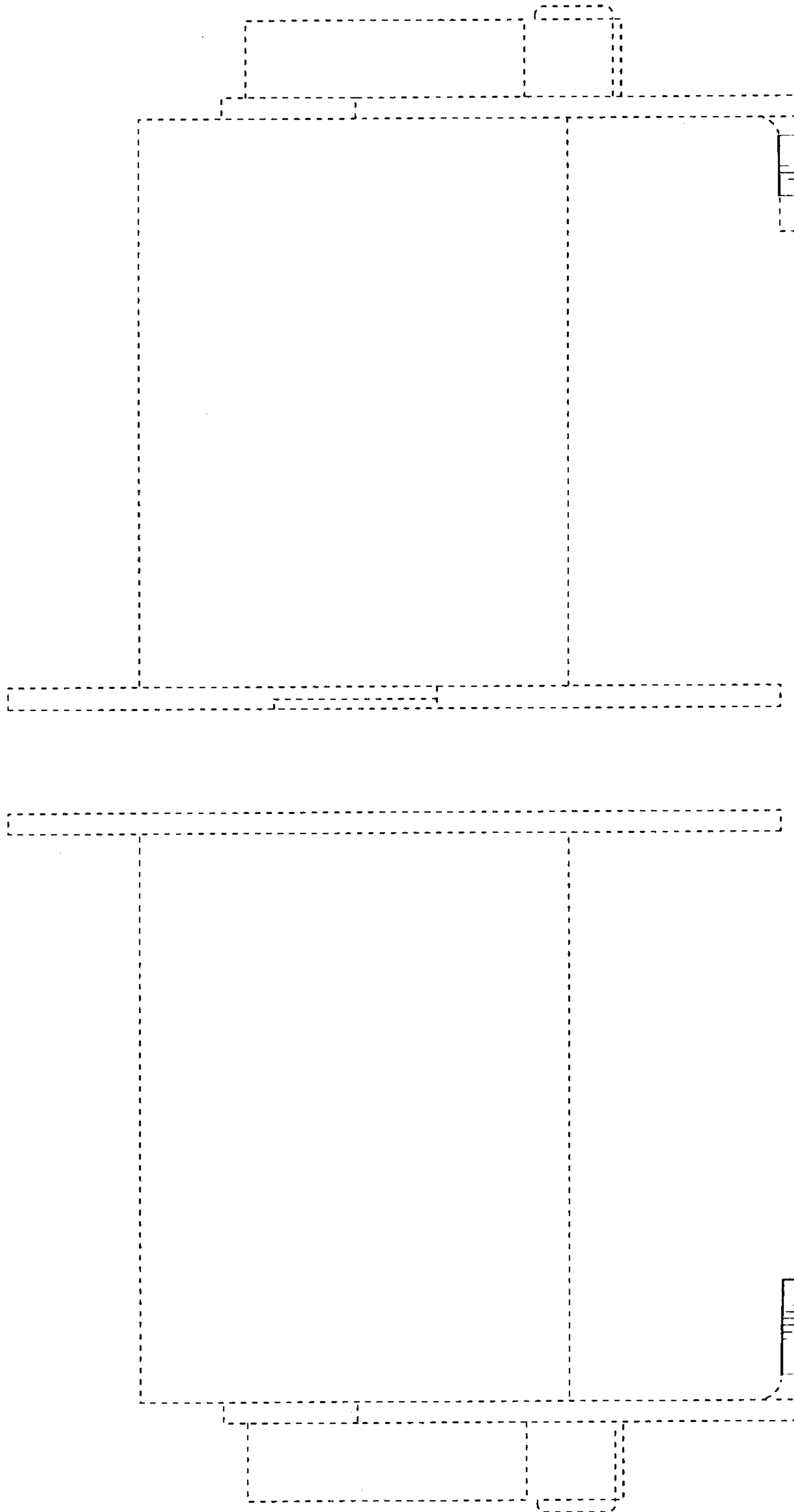


FIG. 4

FIG. 3

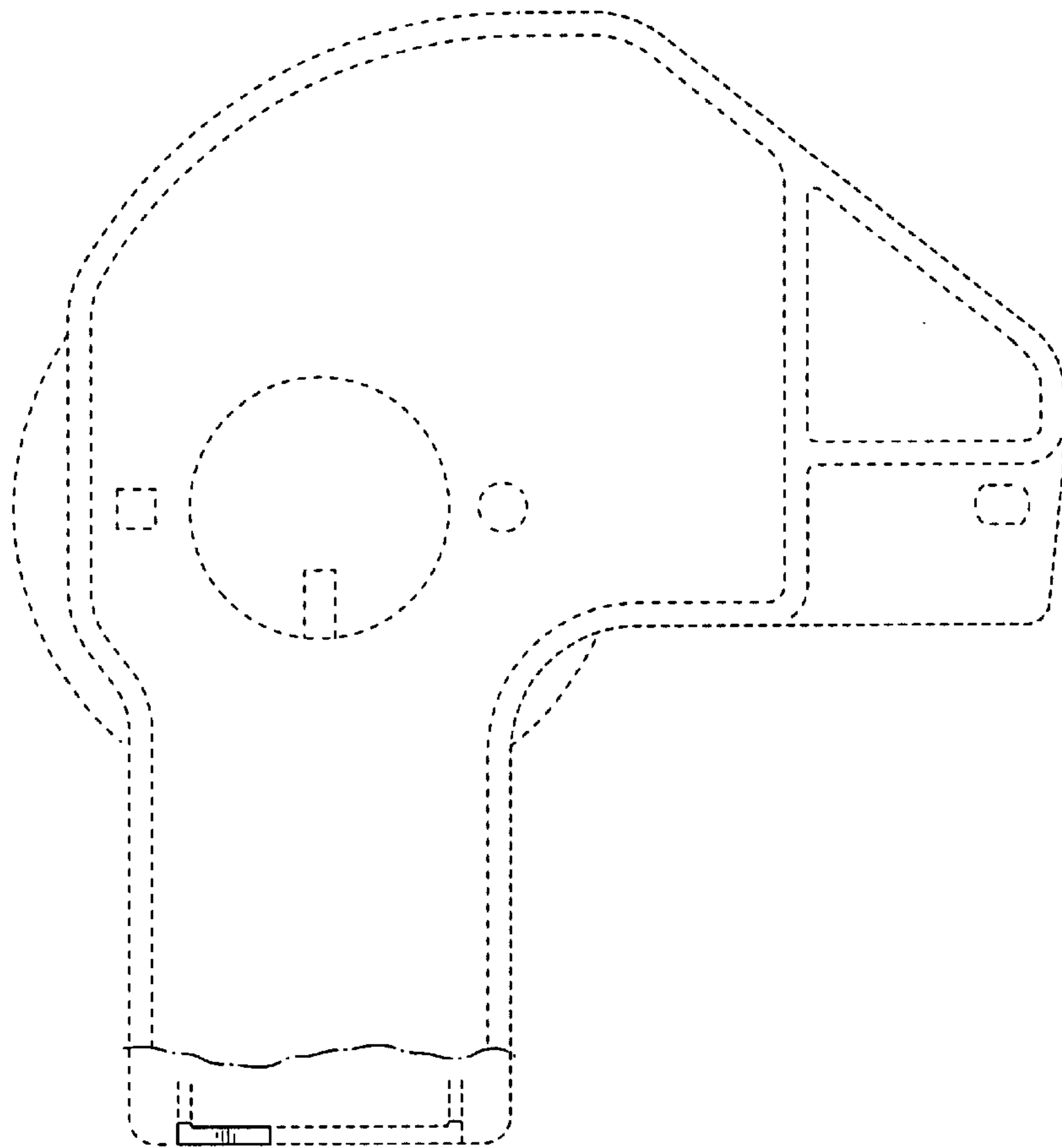


FIG. 5

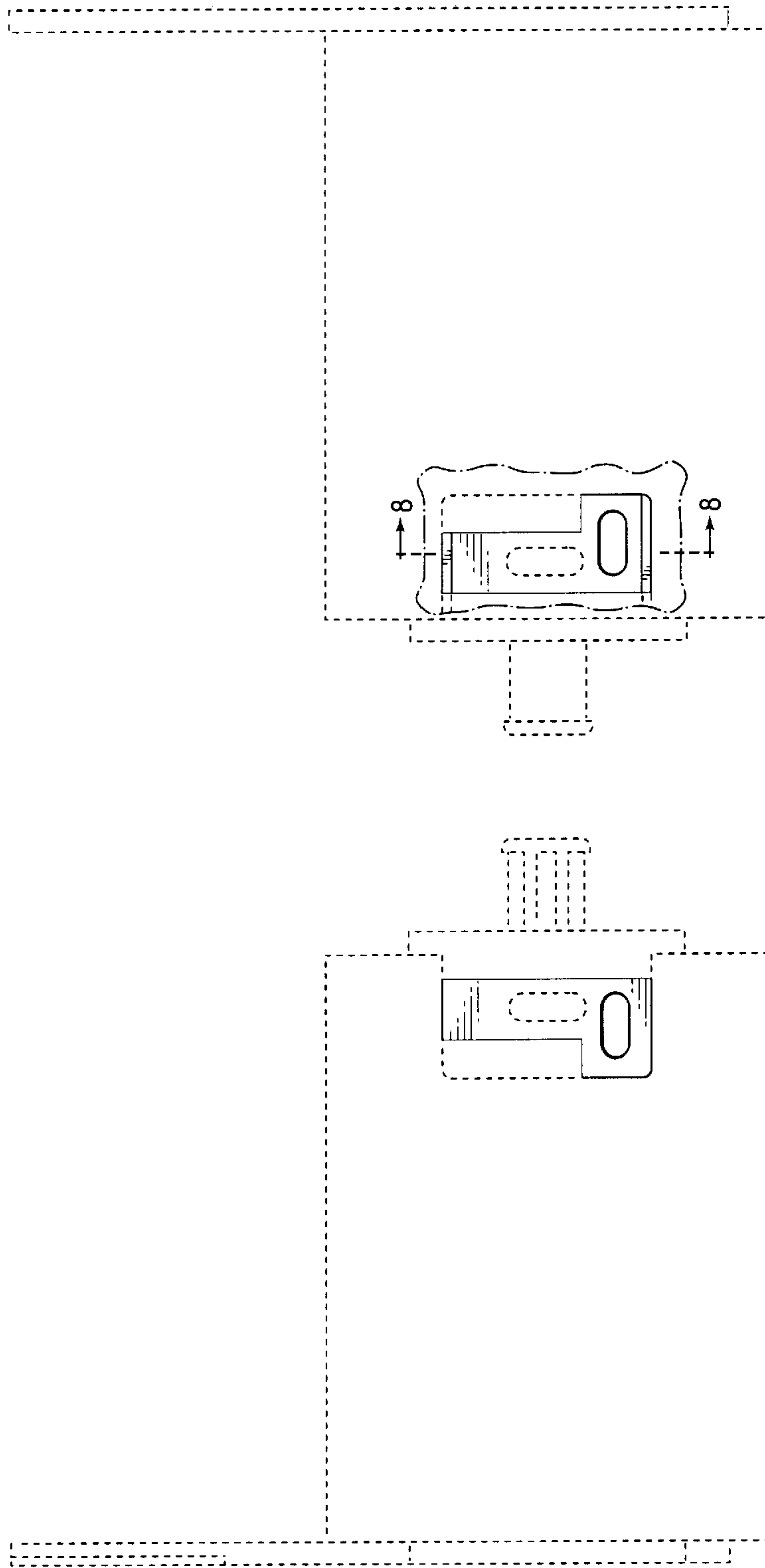


FIG. 7

FIG. 6

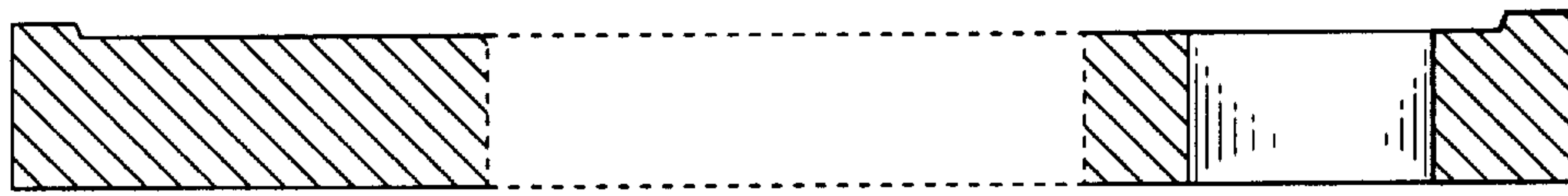


FIG. 8