



US00D544533S

(12) **United States Design Patent**
Moliner et al.

(10) **Patent No.:** **US D544,533 S**
(45) **Date of Patent:** **** Jun. 12, 2007**

(54) **PRINTER**

(75) Inventors: **Oriol Moliner**, Barcelona (ES); **Yossef Schvetz**, Monza (ES); **Jordi Morillo**, Barcelona (ES)

(73) Assignee: **Hewlett-Packard Development Company, L.P.**, Houston, TX (US)

(**) Term: **14 Years**

(21) Appl. No.: **29/215,936**

(22) Filed: **Oct. 27, 2004**

(51) **LOC (8) Cl.** **18-02**

(52) **U.S. Cl.** **D18/53**

(58) **Field of Classification Search** D18/53,
D18/50, 55, 99; D15/199; 101/2, 5, 47,
101/52, 53, 71; 235/375; 346/9-11, 112;
705/401, 407, 408; 347/108
See application file for complete search history.

(56) **References Cited**

U.S. PATENT DOCUMENTS

- D267,327 S * 12/1982 Shaffer D15/146
- D332,623 S * 1/1993 Iwanaga D18/53
- D340,066 S * 10/1993 Iwanaga 347/108
- D347,239 S * 5/1994 Okamoto et al. 347/108
- D348,899 S * 7/1994 Masujima et al. D18/55
- D368,274 S 3/1996 Gassett et al.
- D396,053 S 7/1998 Bishop et al.

- D400,917 S * 11/1998 Kajikawa et al. D18/53
- D407,740 S * 4/1999 Ina et al. D18/53
- D408,848 S * 4/1999 Flores et al. D18/53
- D413,352 S 8/1999 Bishop et al.
- D445,126 S * 7/2001 Shimizu D18/53
- D445,824 S * 7/2001 Yamano et al. D18/53
- D450,755 S * 11/2001 Gimenez et al. D18/53
- D458,963 S * 6/2002 Caamano et al. D18/53
- D464,080 S * 10/2002 Yamano et al. D18/53

* cited by examiner

Primary Examiner—Charles A. Rademaker

(57) **CLAIM**

The ornamental design for a printer, as shown and described.

DESCRIPTION

FIG. 1 is a front left side perspective view of a printer showing our new design;

FIG. 2 is a front elevational view thereof;

FIG. 3 is a rear elevational view thereof;

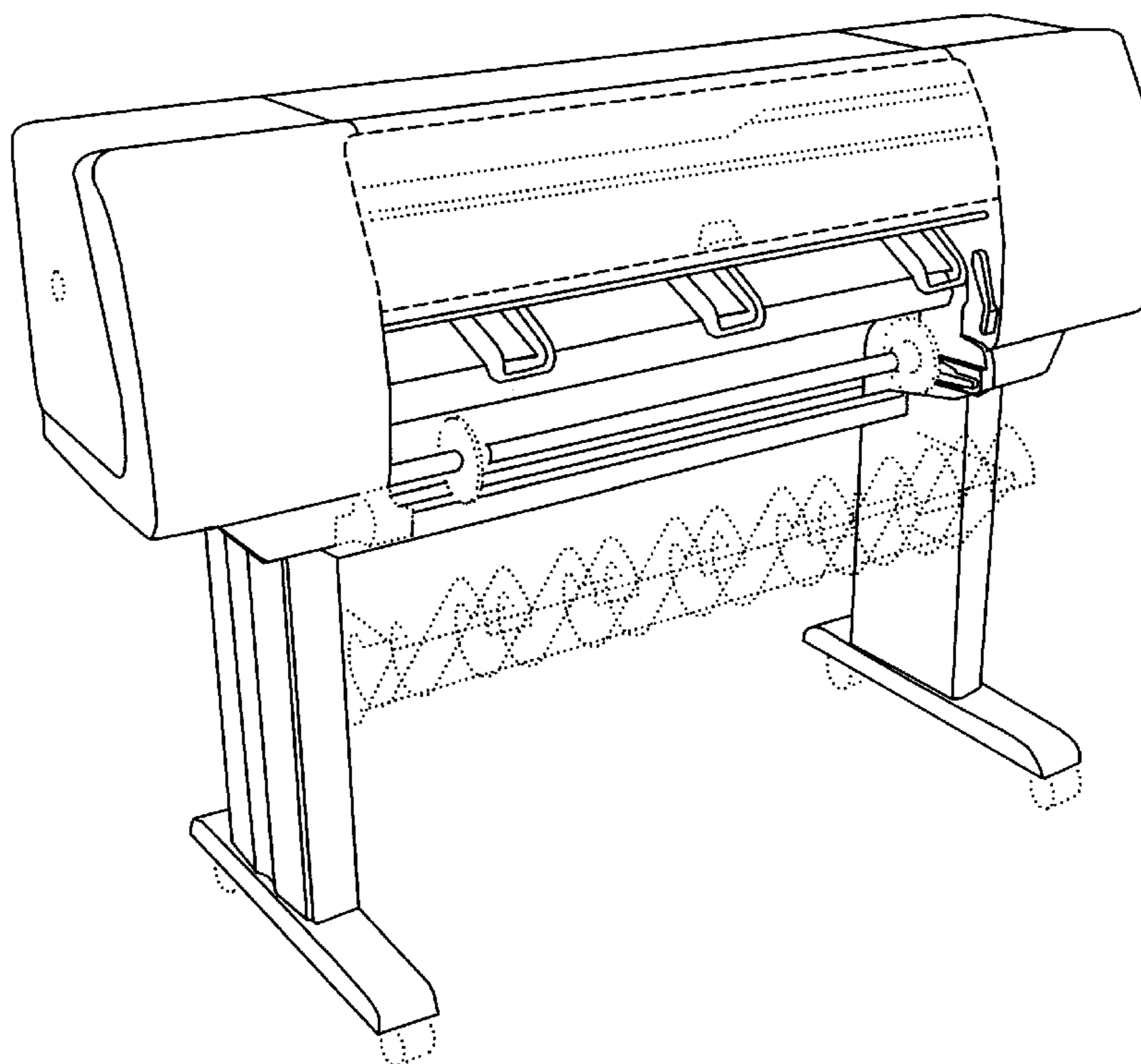
FIG. 4 is a side elevational view thereof, wherein left and right sides are mirror images;

FIG. 5 is rear left side perspective view thereof; and,

FIG. 6 is a top plan view thereof.

The broken line showing of environment is for illustrative purposes only and forms no part of the claimed design.

1 Claim, 6 Drawing Sheets



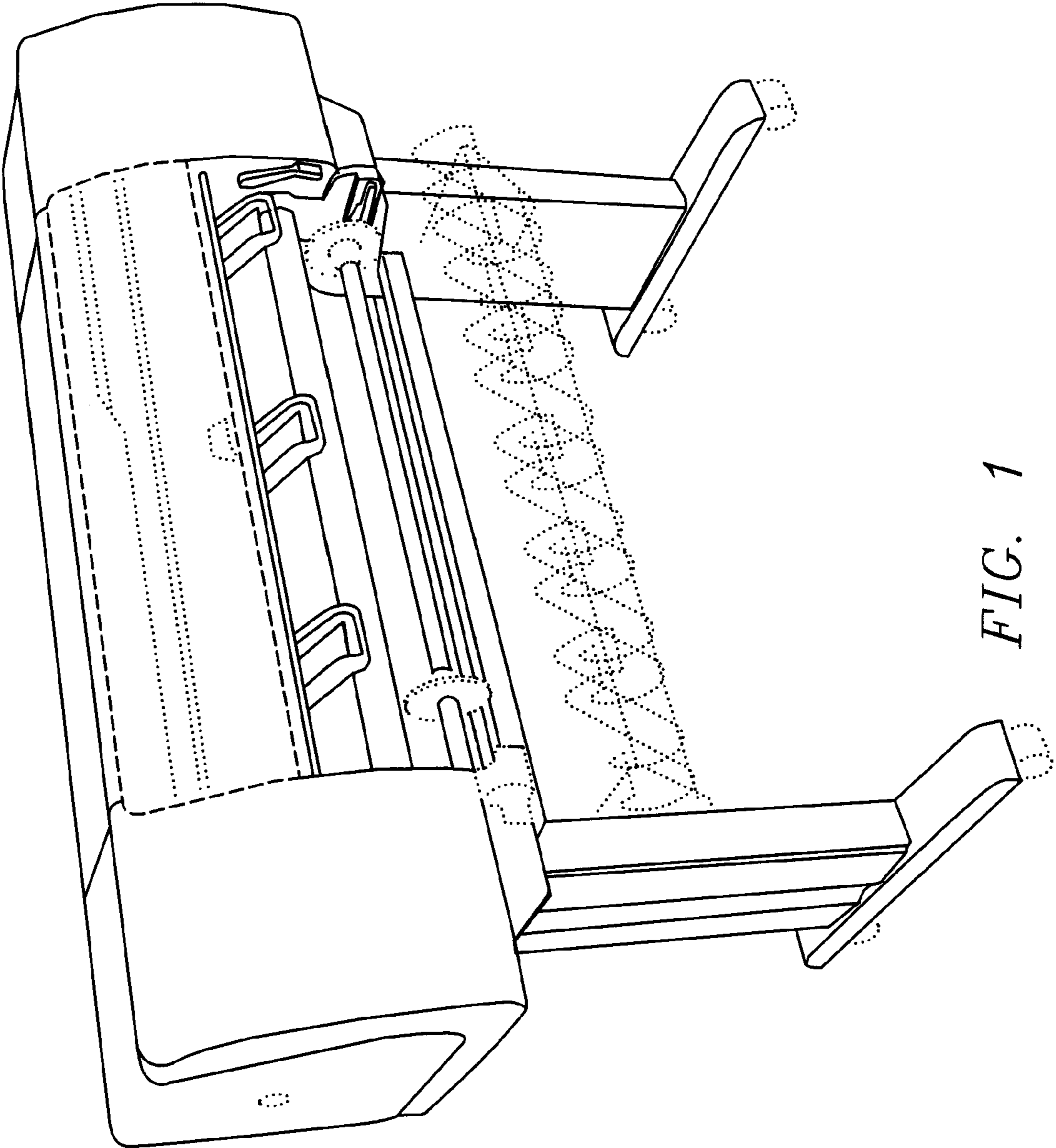


FIG. 1

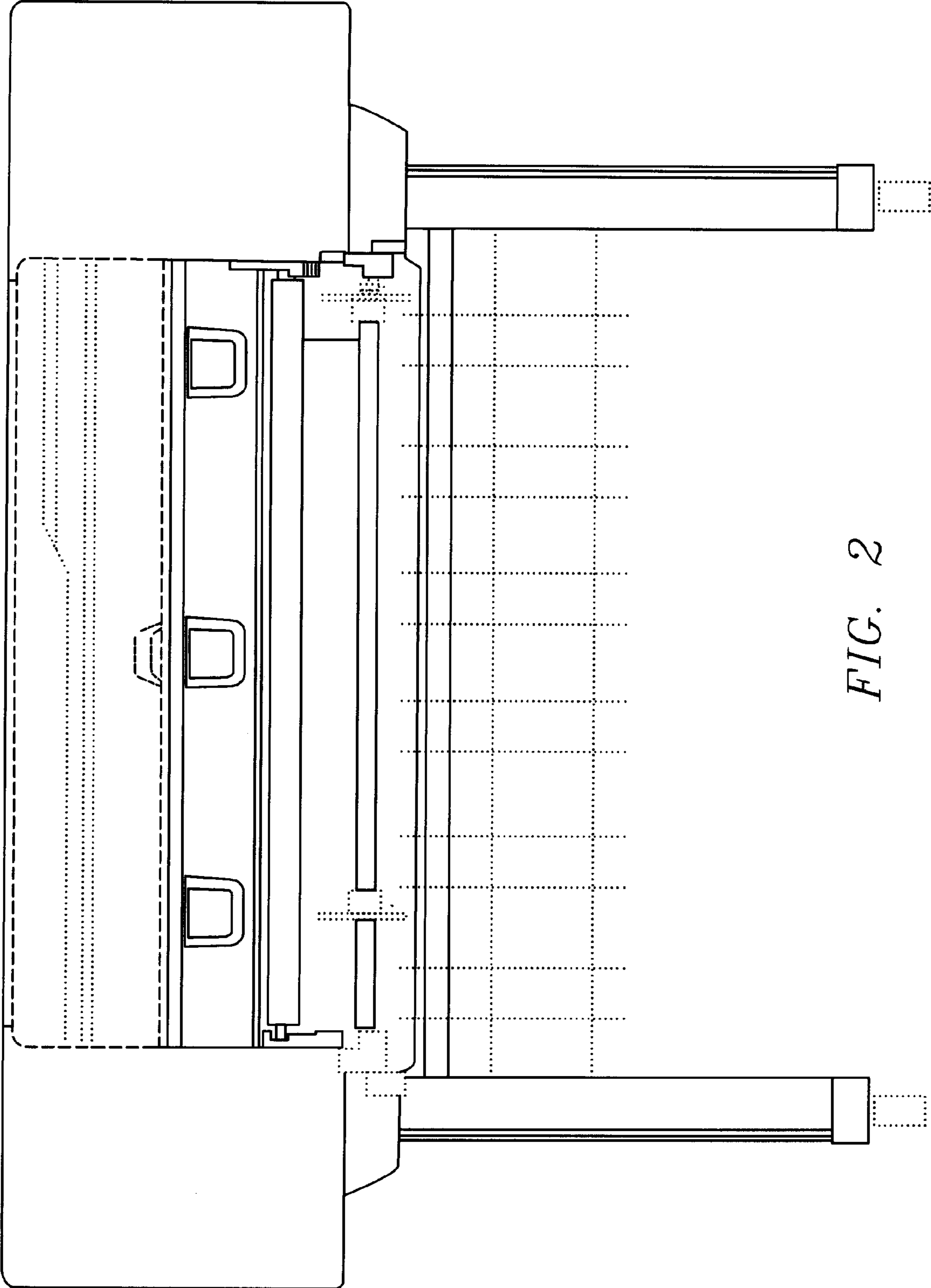


FIG. 2

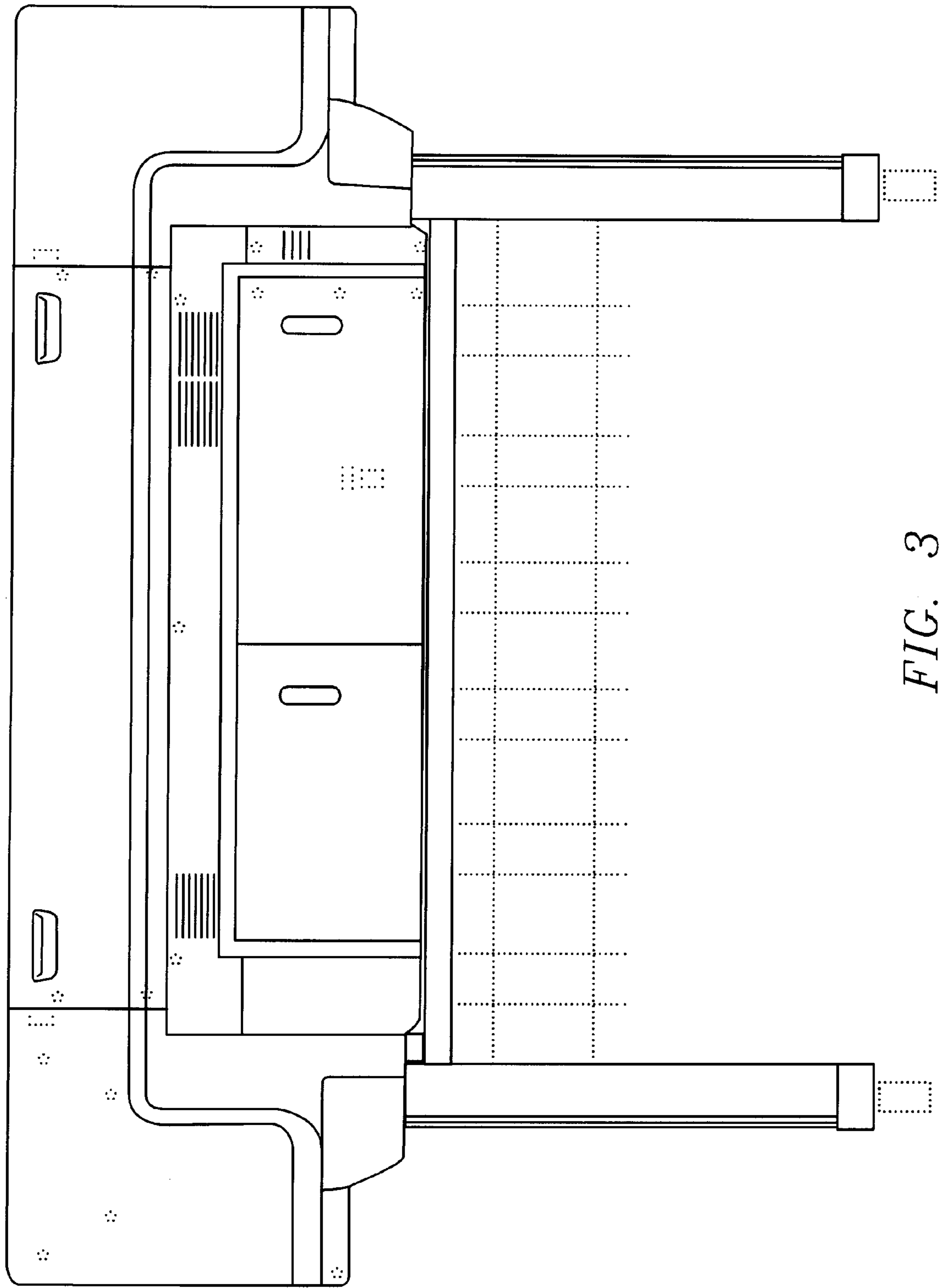


FIG. 3

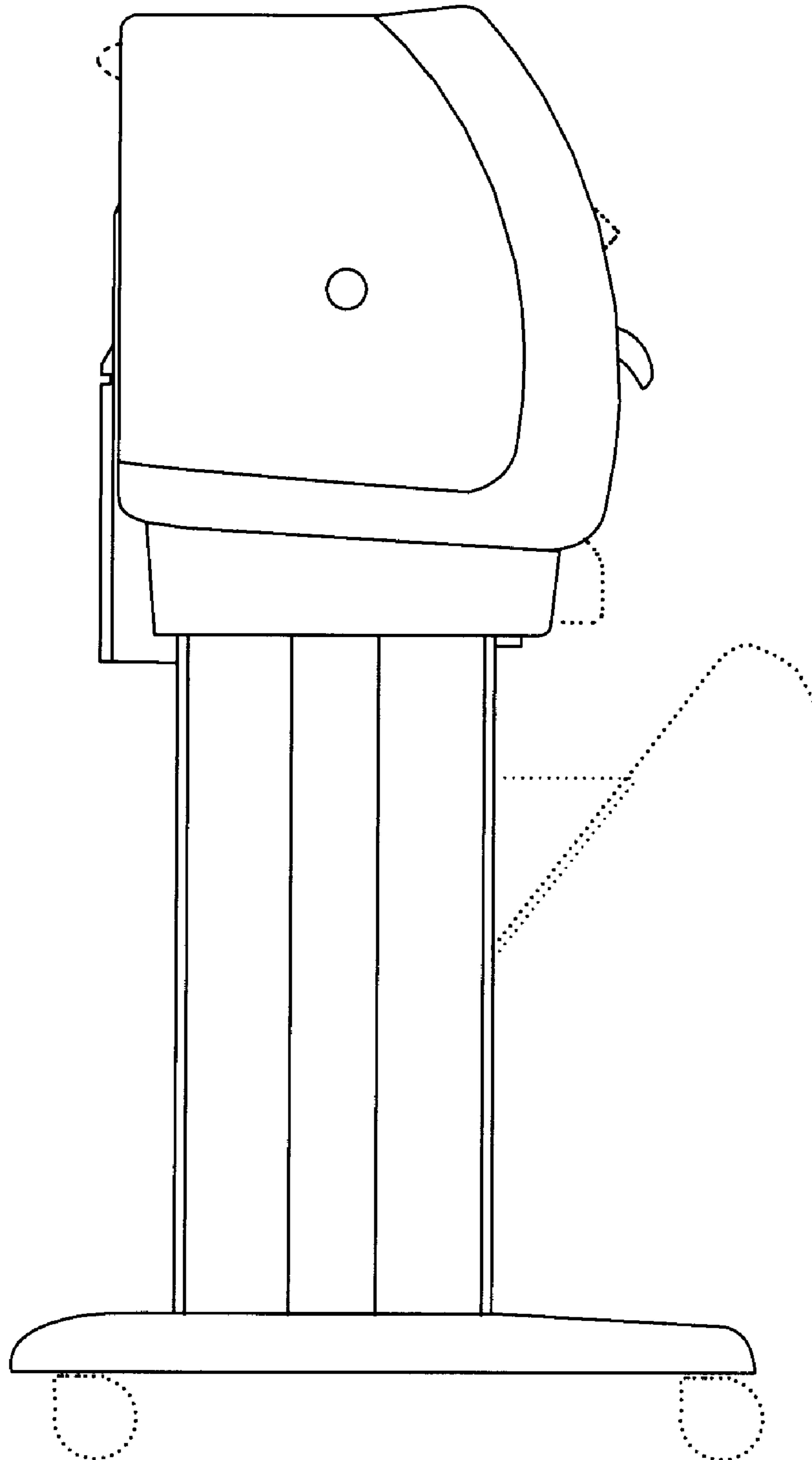


FIG. 4

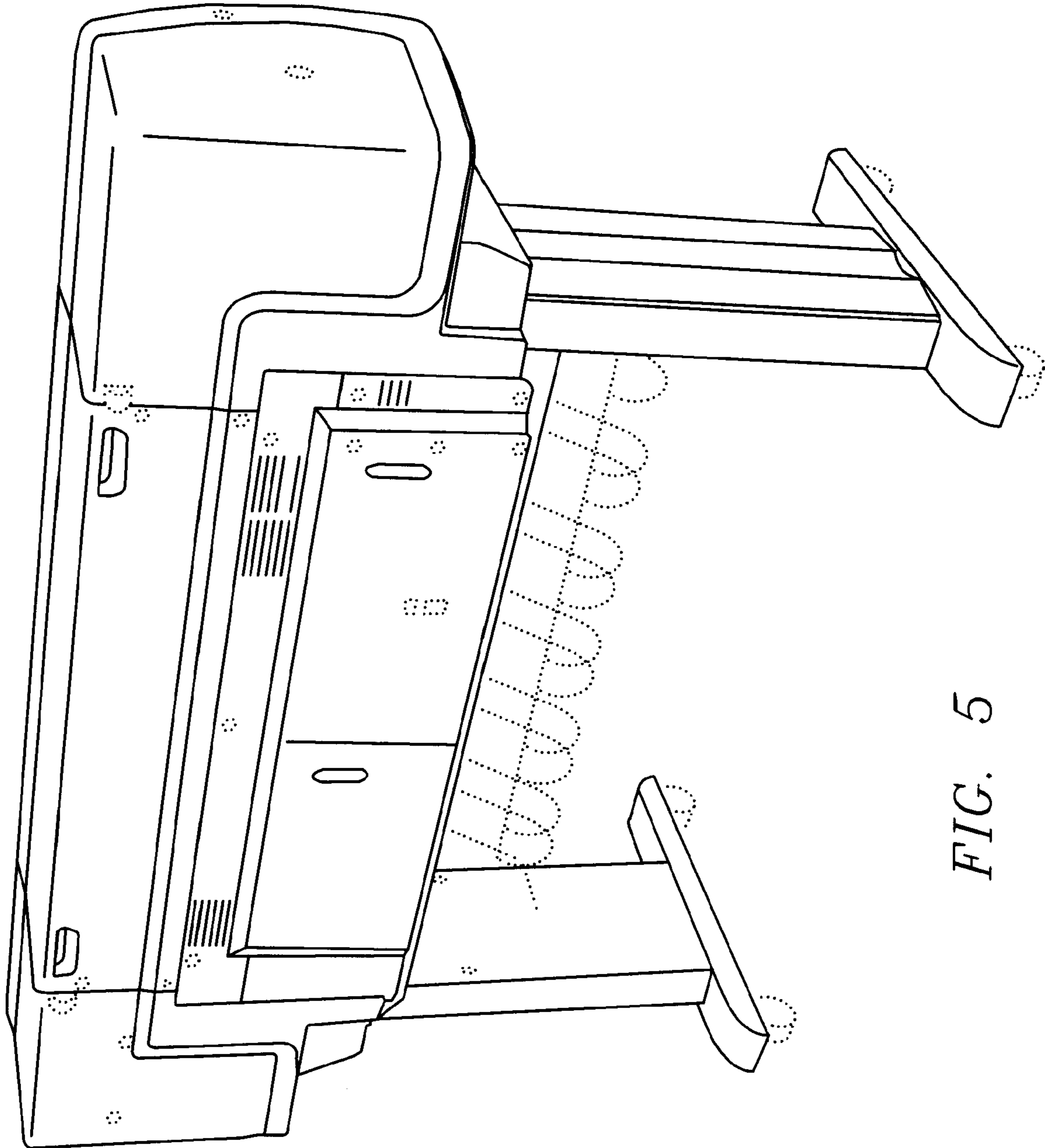


FIG. 5

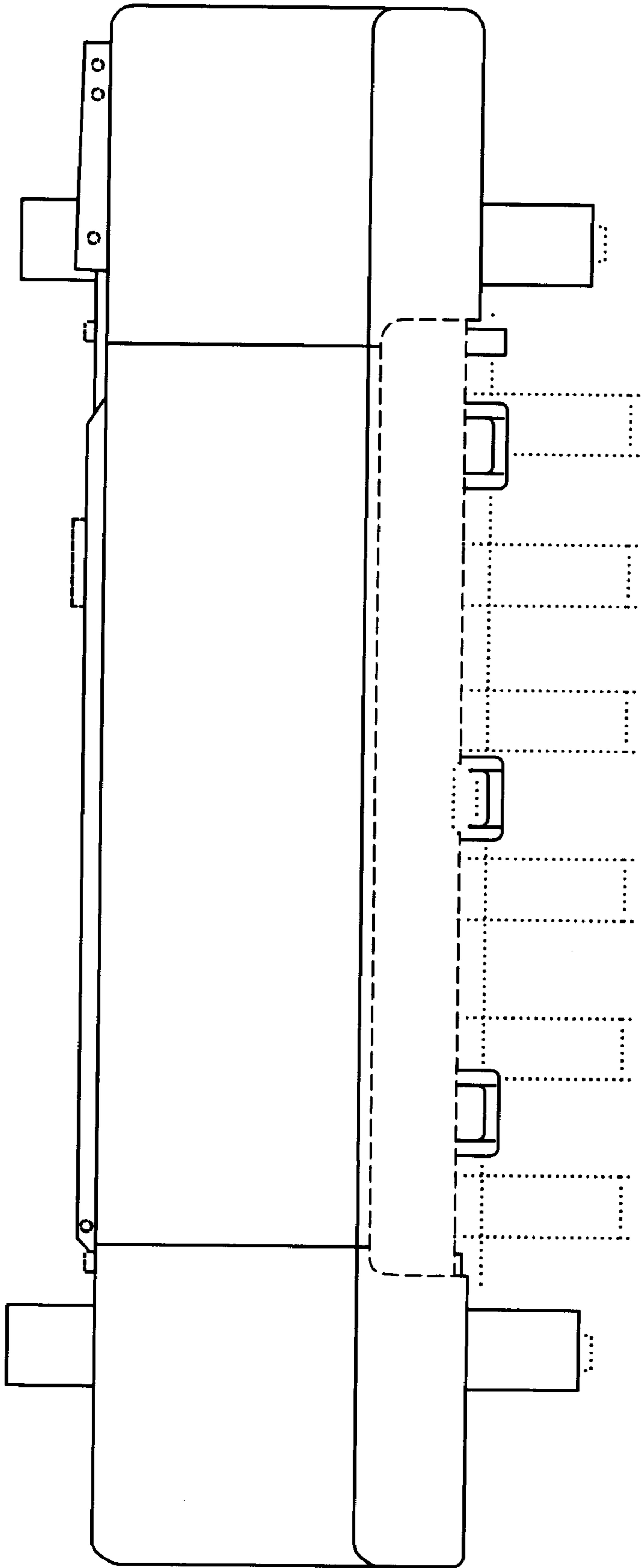


FIG. 6