

US00D544532S

(12) **United States Design Patent**
Matsumoto et al.

(10) **Patent No.:** **US D544,532 S**
(45) **Date of Patent:** **** Jun. 12, 2007**

(54) **PRINTER**

(75) Inventors: **Shigeru Matsumoto**, Toyokawa (JP);
Satoru Hattori, Nagoya (JP)

(73) Assignee: **Brother Industries, Ltd.**, Nagoya (JP)

(**) Term: **14 Years**

(21) Appl. No.: **29/254,588**

(22) Filed: **Feb. 27, 2006**

(30) **Foreign Application Priority Data**

Sep. 9, 2005 (JP) 2005-026306

(51) **LOC (8) Cl.** **18-02**

(52) **U.S. Cl.** **D18/50**; D18/49

(58) **Field of Classification Search** D18/14,
D18/36-39, 46-49, 50, 54, 54.1, 55; D14/420-425,
D14/462-470; 399/107; 400/613, 613.1-613.4,
400/690.1-690.4, 691-694

See application file for complete search history.

(56) **References Cited**

U.S. PATENT DOCUMENTS

D189,702 S *	1/1961	Palma	D18/36
D288,093 S *	2/1987	Fujiyama et al.	D14/469
D311,927 S *	11/1990	Savela et al.	D18/49
D314,789 S *	2/1991	Hirata et al.	D18/49
4,996,561 A *	2/1991	Yoshimura et al.	399/107
D328,758 S *	8/1992	Isomoto	D18/49
D344,095 S *	2/1994	Isomoto et al.	D18/49
5,423,529 A *	6/1995	Saito et al.	D18/49
D384,693 S *	10/1997	Kenmochi et al.	D18/49
D415,788 S *	10/1999	Quijano et al.	D18/49

D423,040 S *	4/2000	Ohta et al.	D18/36
D438,890 S *	3/2001	Takimura	D18/39
D450,743 S *	11/2001	Heinz	D18/49
6,766,126 B2 *	7/2004	Hsu et al.	399/107
6,782,223 B2 *	8/2004	Yoshida	399/107
D525,290 S *	7/2006	Yarrington	D18/49
D525,291 S *	7/2006	Fukumura et al.	D18/49
D528,154 S *	9/2006	Hattori	D18/54
D528,155 S *	9/2006	Katayama	D18/55
D528,596 S *	9/2006	Hattori	D18/54
D534,175 S *	12/2006	Orihashi et al.	D14/463
2006/0083542 A1 *	4/2006	Ito	399/107
2006/0291944 A1 *	12/2006	Lin	400/692

* cited by examiner

Primary Examiner—Cathy Anne MacCormac

(74) *Attorney, Agent, or Firm*—Oliff & Berridge, PLC

(57) **CLAIM**

The ornamental design for a printer, as shown and described.

DESCRIPTION

FIG. 1 is a front perspective view of a printer;

FIG. 2 is a front view thereof;

FIG. 3 is a top view thereof;

FIG. 4 is a right-side view thereof;

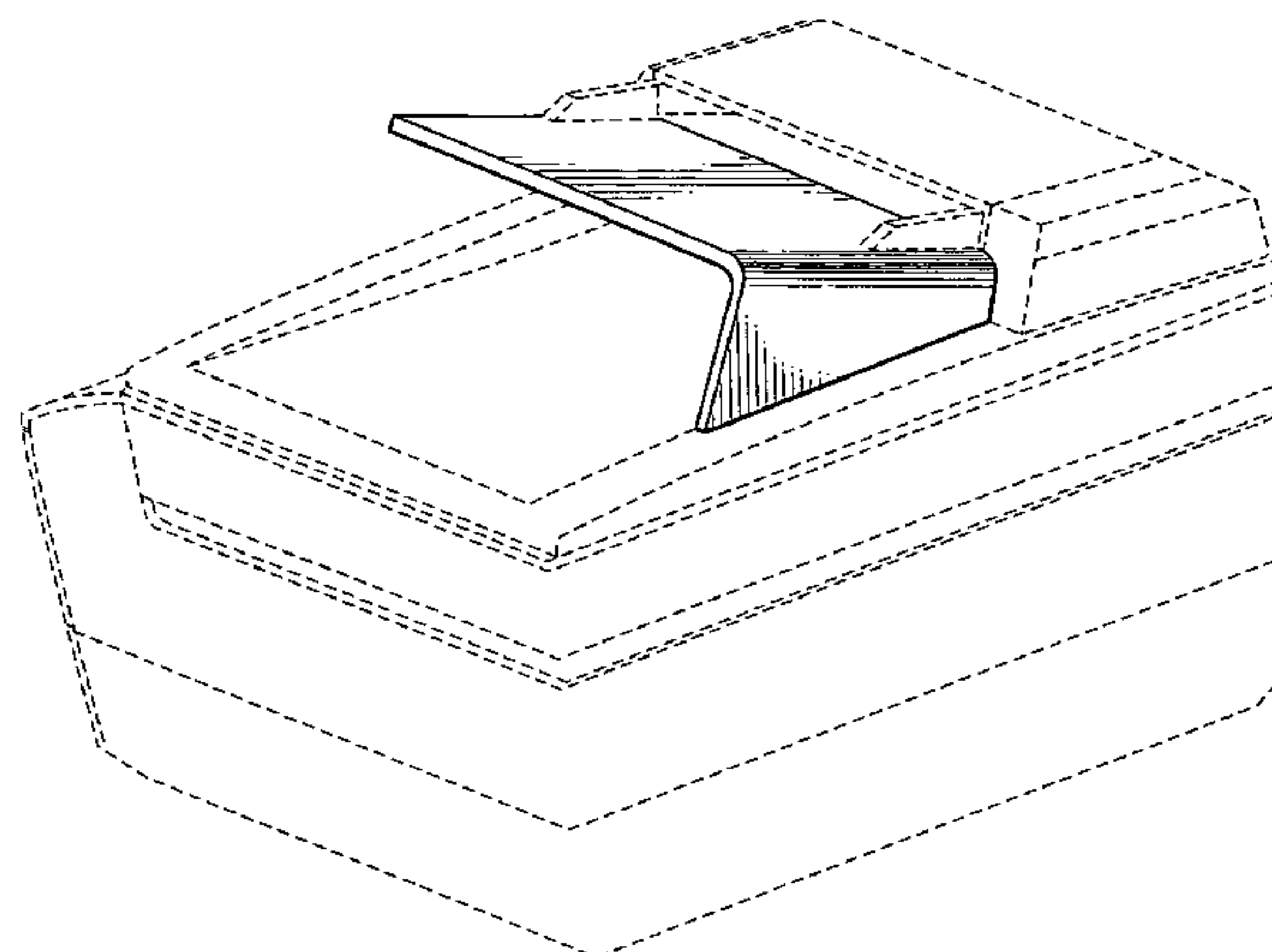
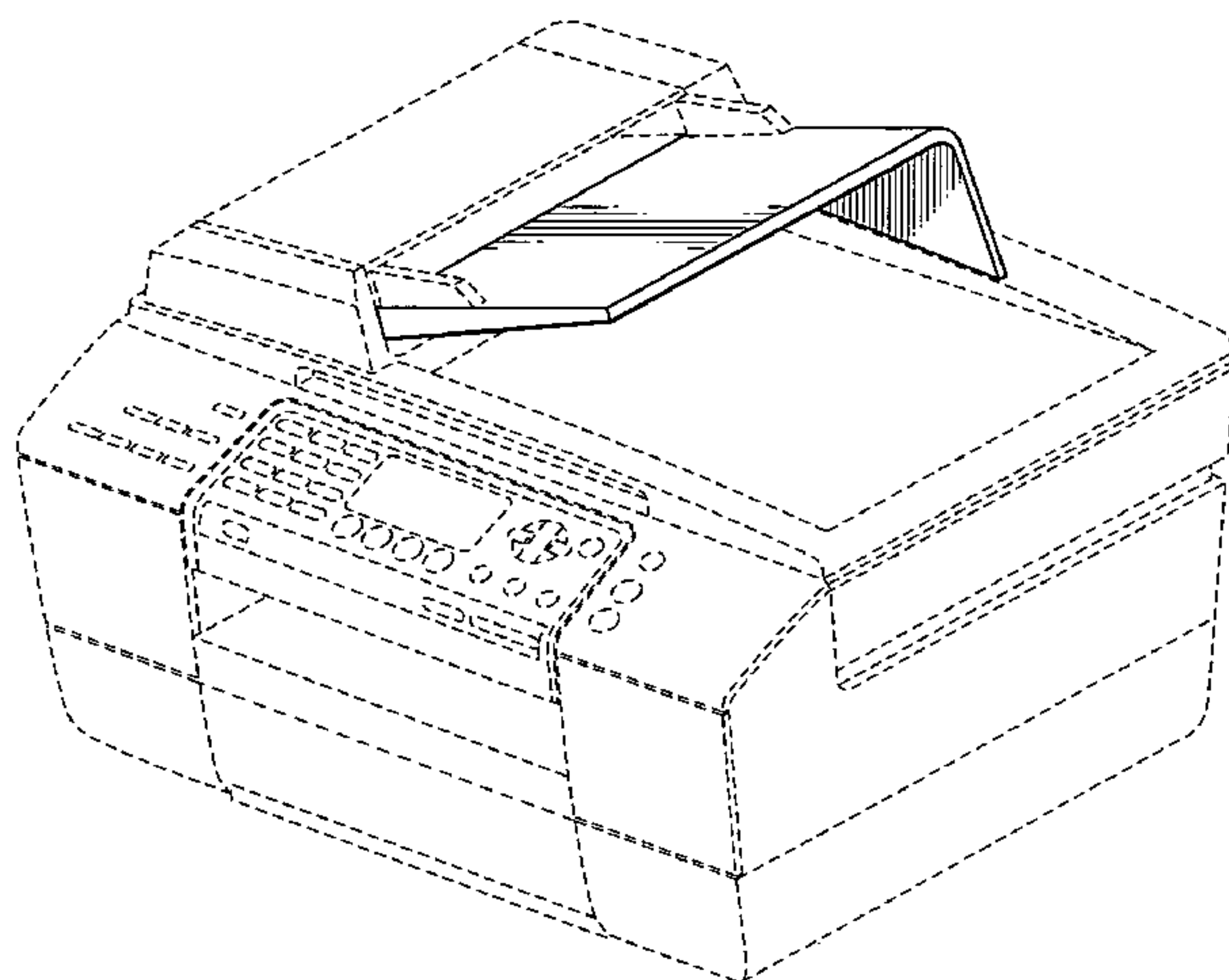
FIG. 5 is a left-side view thereof;

FIG. 6 is a rear view thereof; and,

FIG. 7 is a rear perspective view thereof.

The broken lines are for illustrative purposes only and form no part of the claimed design.

1 Claim, 6 Drawing Sheets



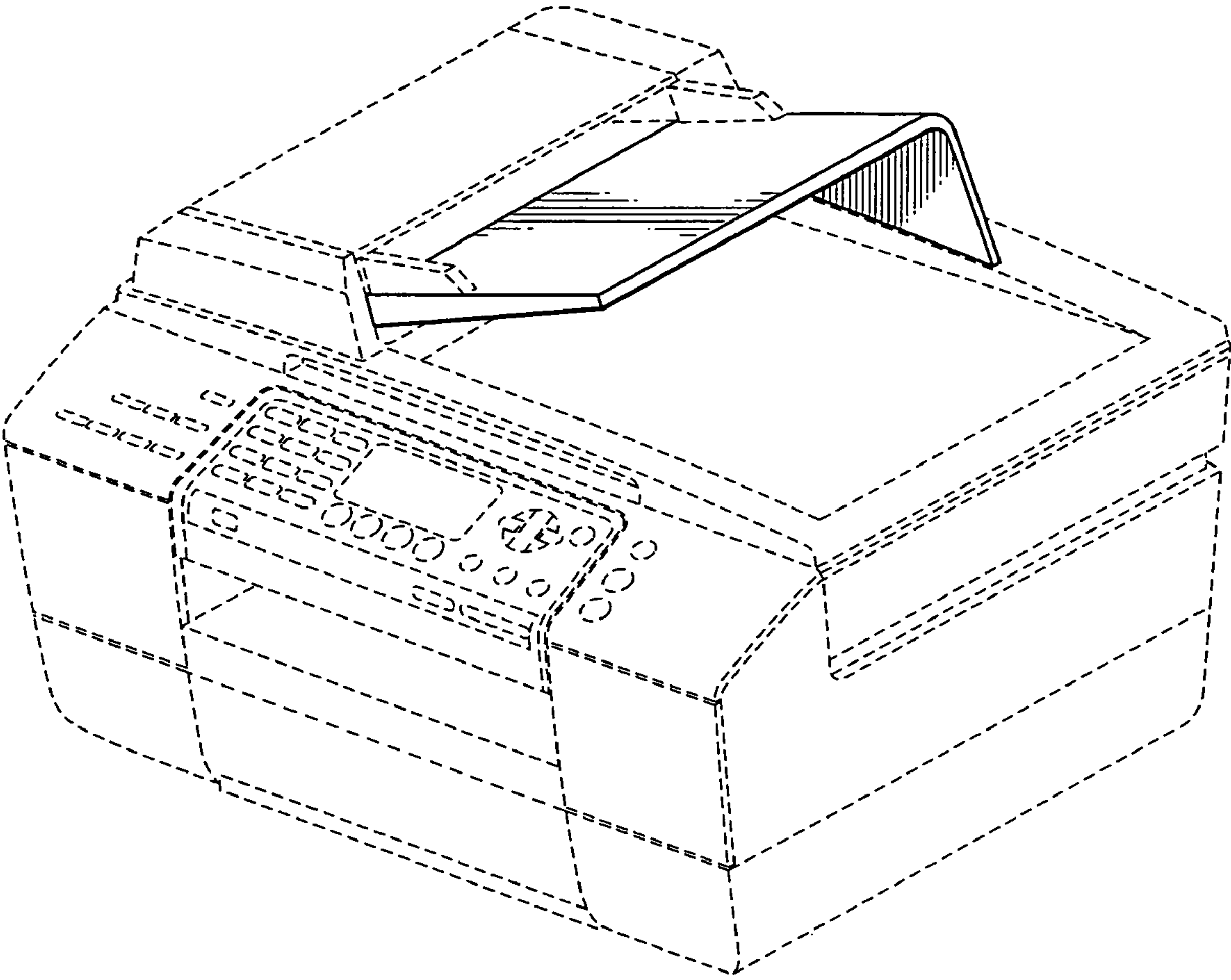


FIG. 1

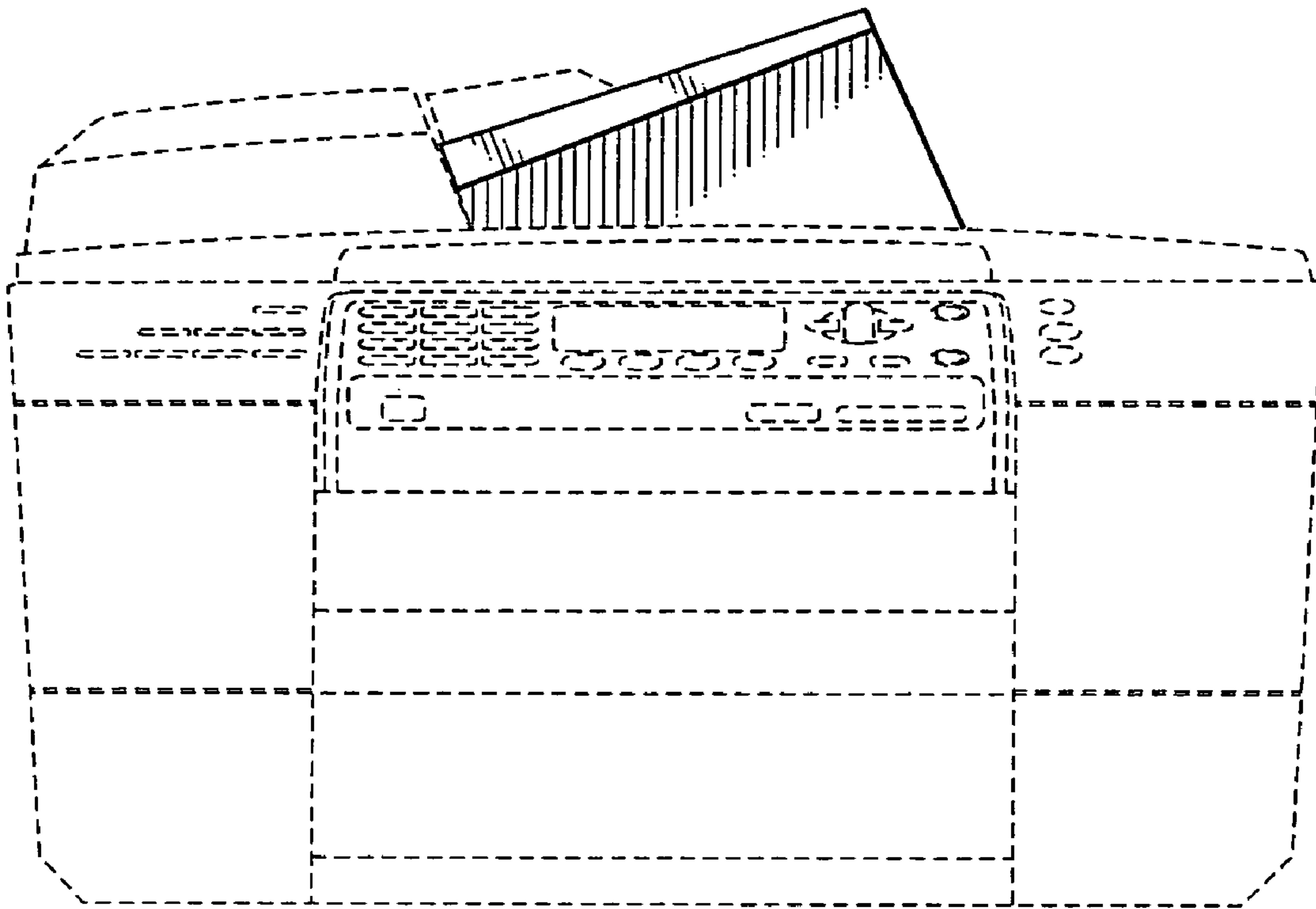


FIG. 2

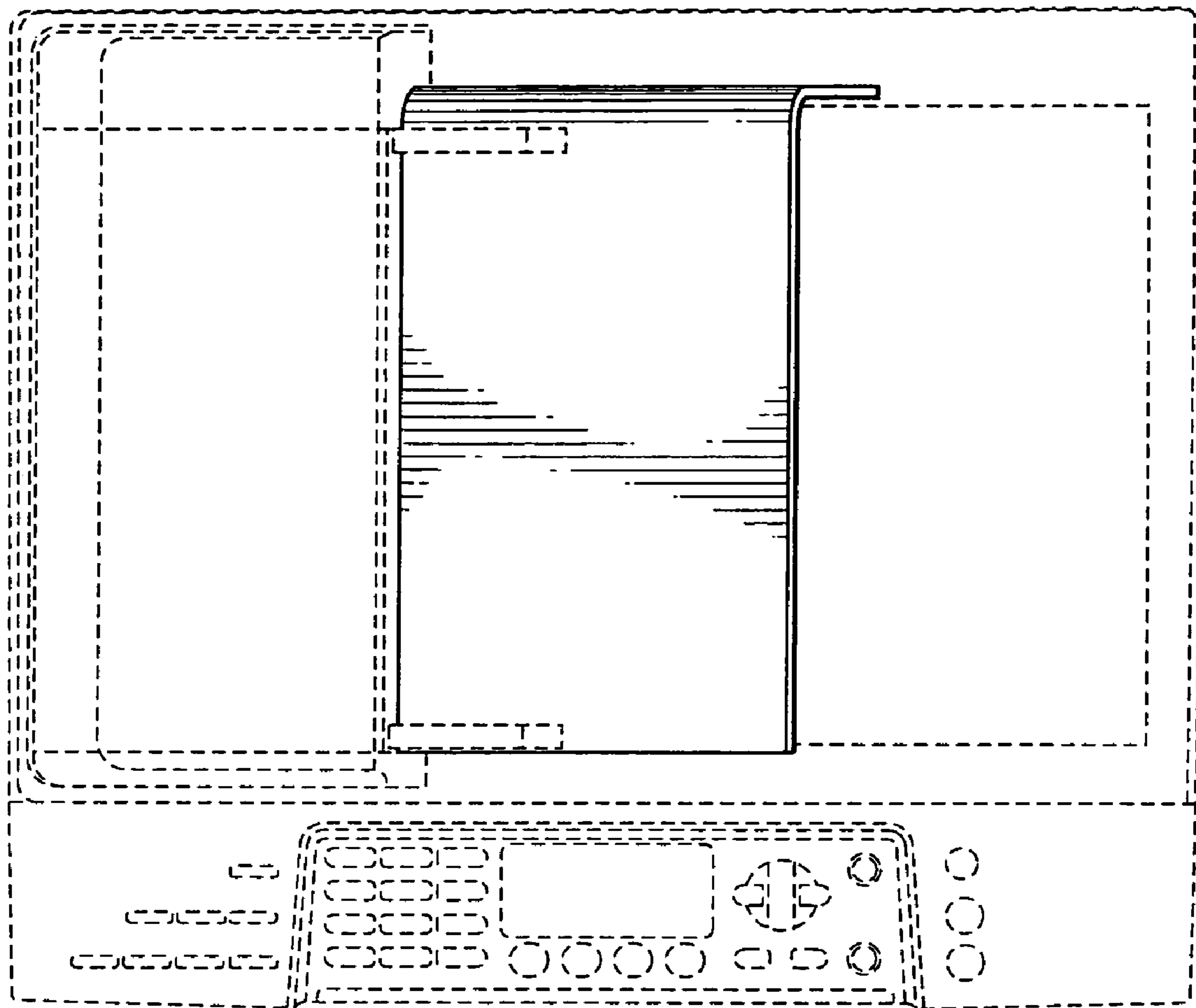


FIG. 3

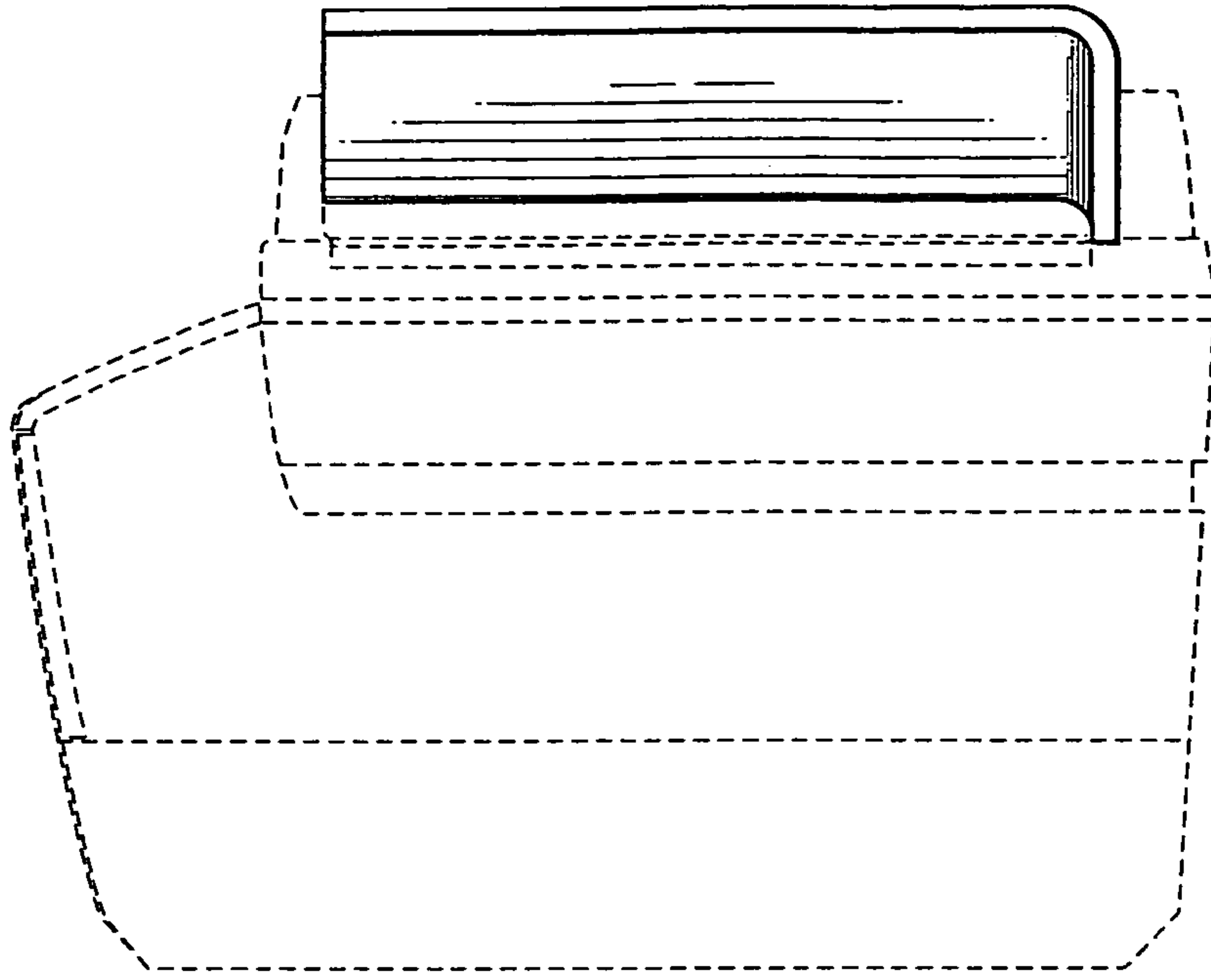


FIG. 4

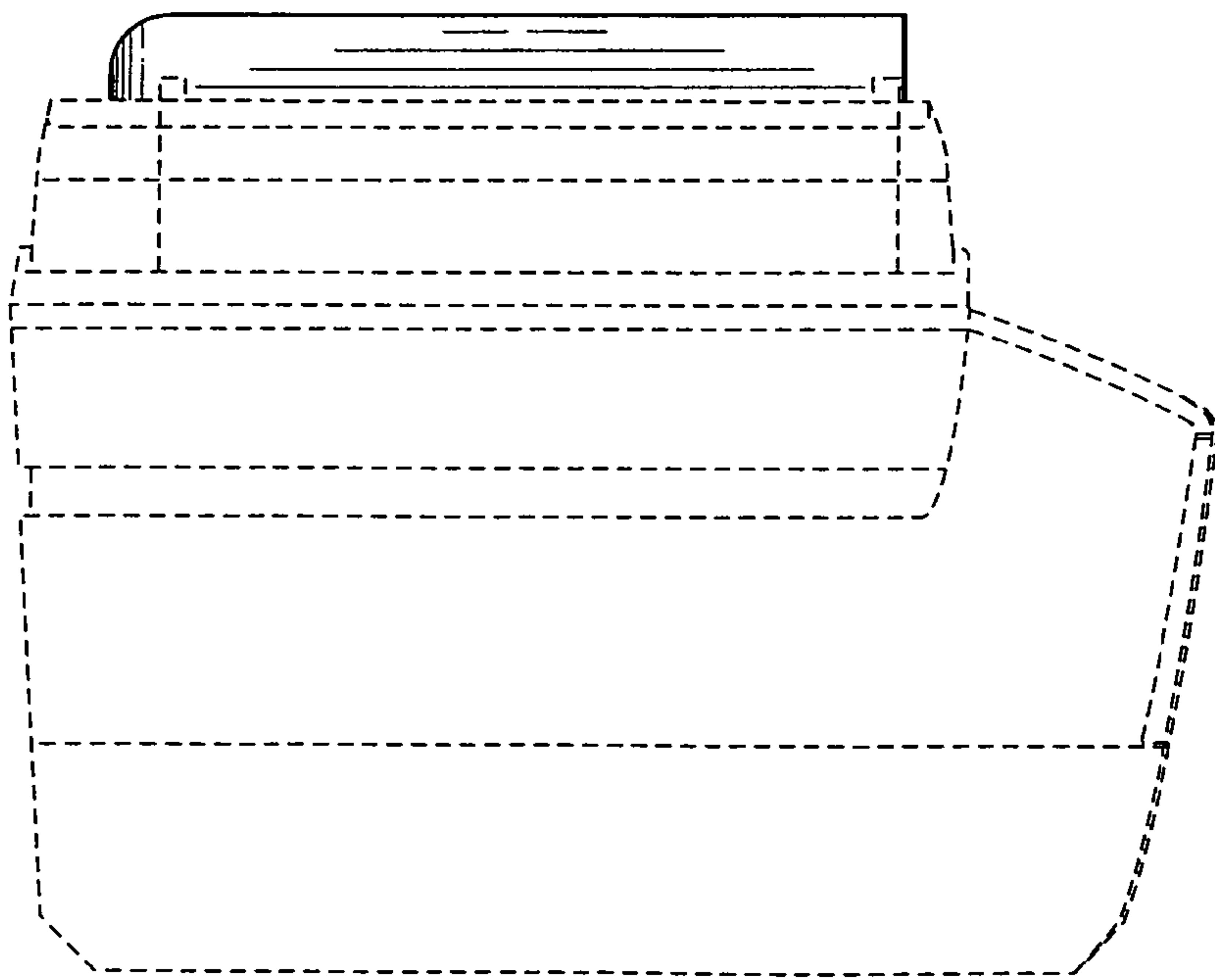


FIG. 5

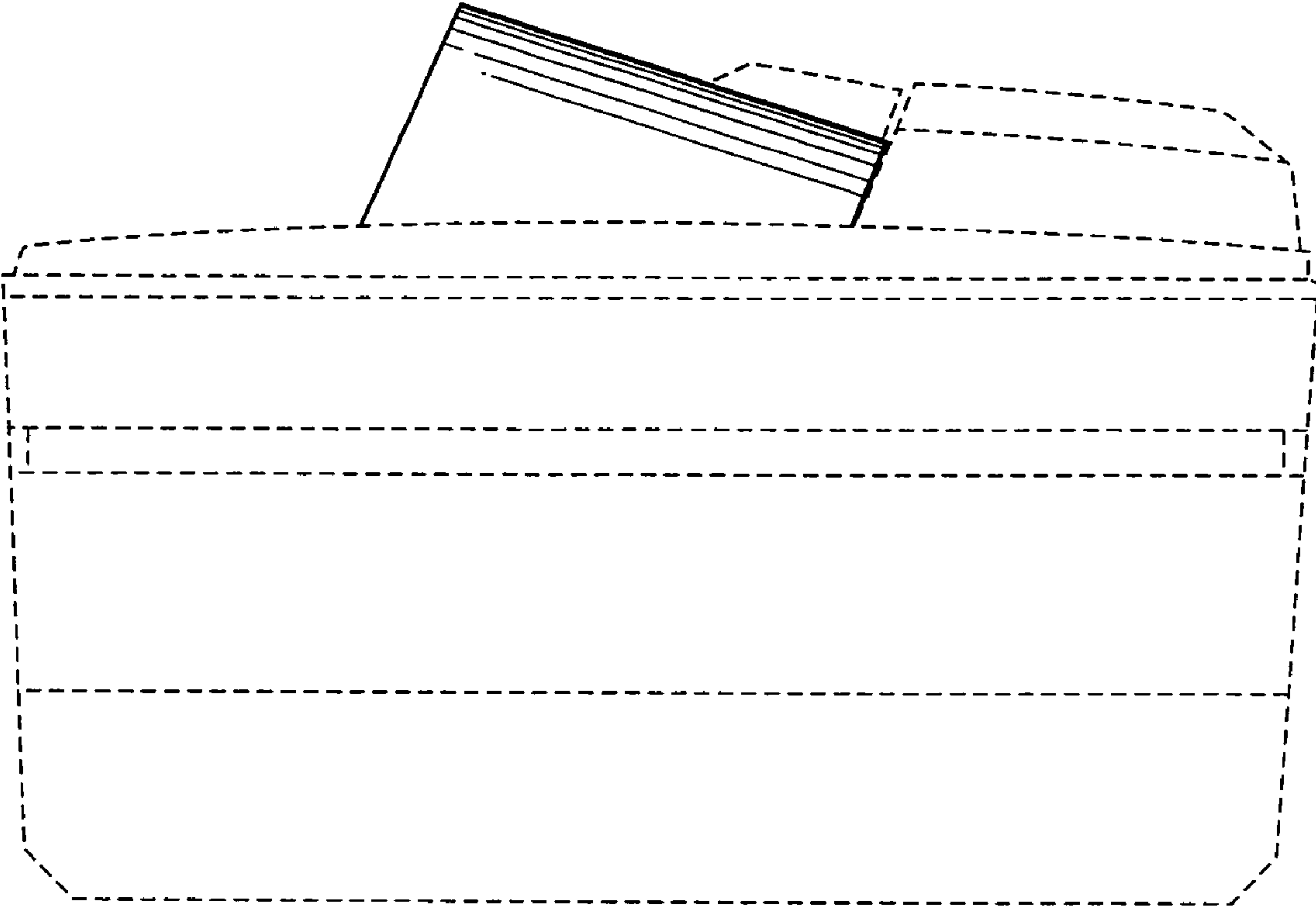


FIG. 6

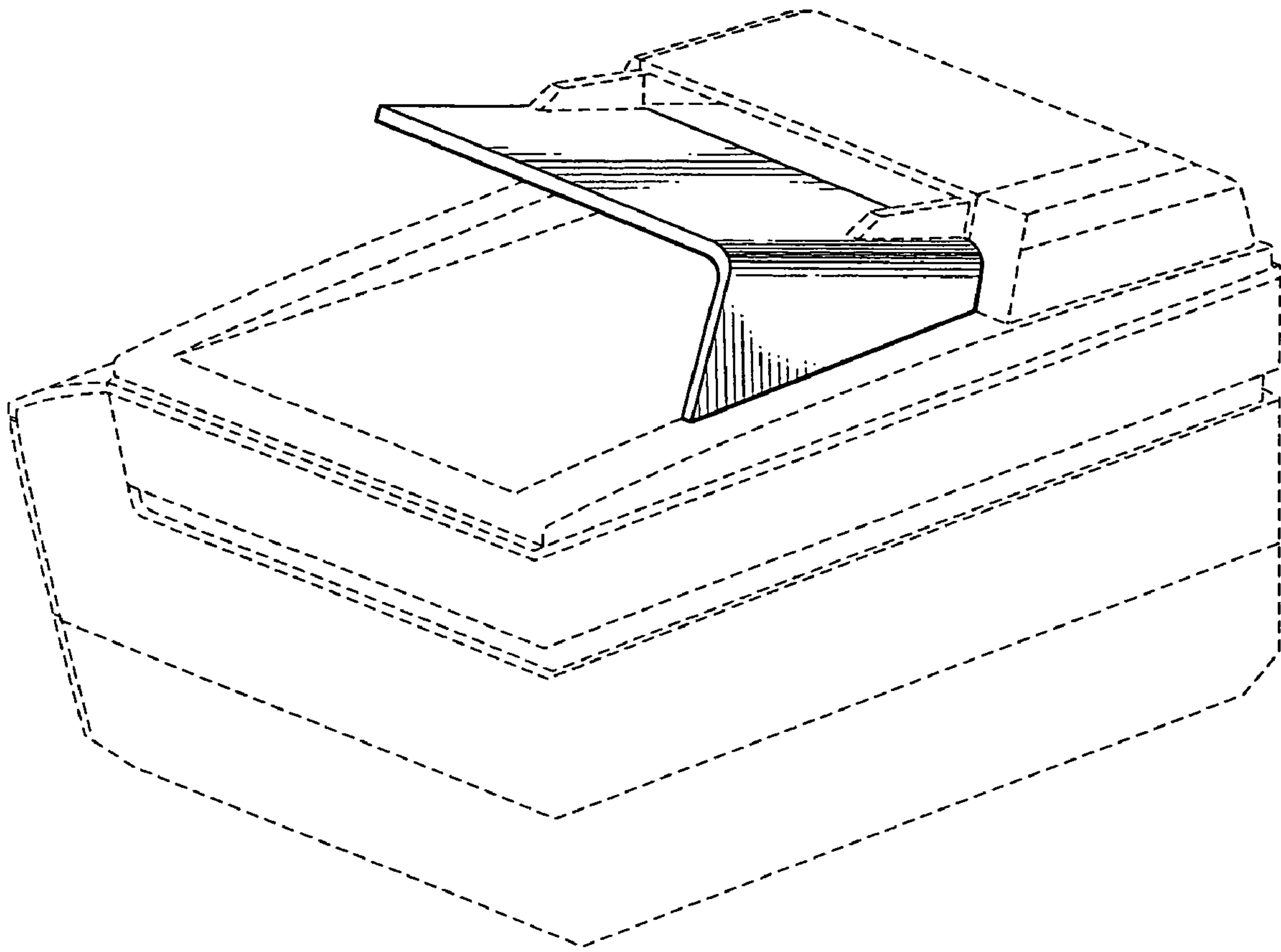


FIG. 7