

US00D544530S

(12) **United States Design Patent**
Omuro et al.

(10) **Patent No.:** **US D544,530 S**

(45) **Date of Patent:** **** Jun. 12, 2007**

(54) **PRINTER**

(75) Inventors: **Makoto Omuro**, Matsumoto (JP);
Yoshiki Kinoshita, Suwa (JP);
Shinsuke Tomomatsu, Matsumoto (JP)

(73) Assignee: **Seiko Epson Corporation** (JP)

(**) Term: **14 Years**

(21) Appl. No.: **29/253,932**

(22) Filed: **Feb. 15, 2006**

(30) **Foreign Application Priority Data**

Sep. 14, 2005 (JP) 2005-026544

(51) **LOC (8) Cl.** **18-02**

(52) **U.S. Cl.** **D18/50**

(58) **Field of Classification Search** D18/14,
D18/36-39, 46-49, 50, 54, 54.1, 55, 4.4,
D18/19; D14/420-425, 462-470; 399/107;
400/613, 613.1-613.4, 690.1-690.4, 691-694
See application file for complete search history.

(56) **References Cited**

U.S. PATENT DOCUMENTS

D194,080 S * 11/1962 Hanson et al. D18/37
D275,286 S * 8/1984 Cless et al. D18/55
D289,050 S * 3/1987 Wilson et al. D18/54.1
D294,357 S * 2/1988 Klein et al. D18/55

D303,985 S * 10/1989 Tomoike D18/54.1
D308,072 S * 5/1990 Salmonson D18/54
D362,673 S * 9/1995 Yamamoto D18/19
D368,255 S * 3/1996 Sasaki et al. D14/420
D443,890 S * 6/2001 Sato et al. D18/50
6,474,883 B1 * 11/2002 Kawakami et al. 400/613
D474,805 S * 5/2003 Gotham et al. D18/50
D523,072 S * 6/2006 Lee et al. D18/50
D528,151 S * 9/2006 Hattori D18/50

* cited by examiner

Primary Examiner—Cathy Anne MacCormac

(74) *Attorney, Agent, or Firm*—Harness, Dickey & Pierce,
P.L.C.

(57) **CLAIM**

The ornamental design for a printer, as shown and described.

DESCRIPTION

FIG. 1 is perspective view as viewed from the top and right side of the printer embodying our new design;

FIG. 2 is a front view thereof;

FIG. 3 is a rear view thereof;

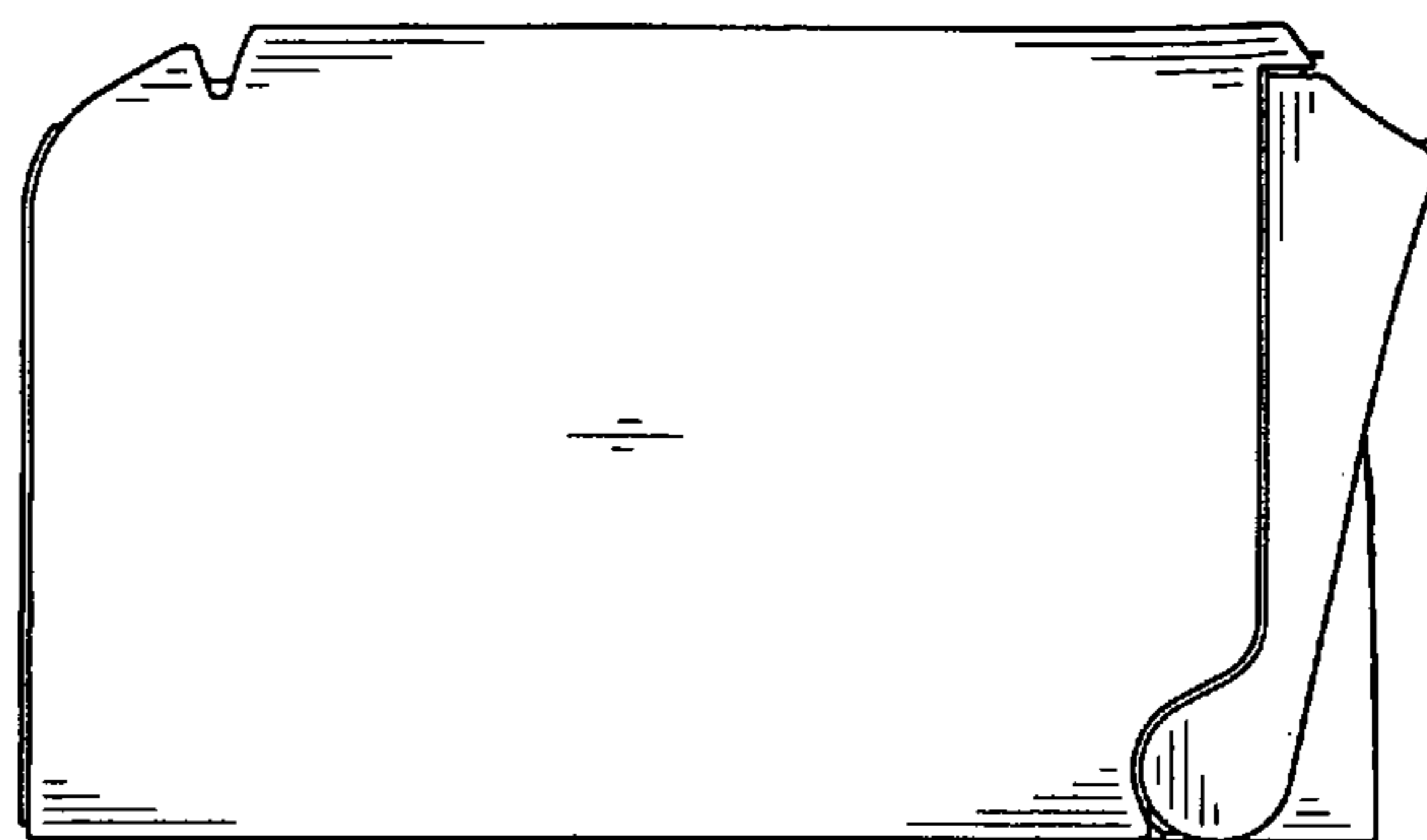
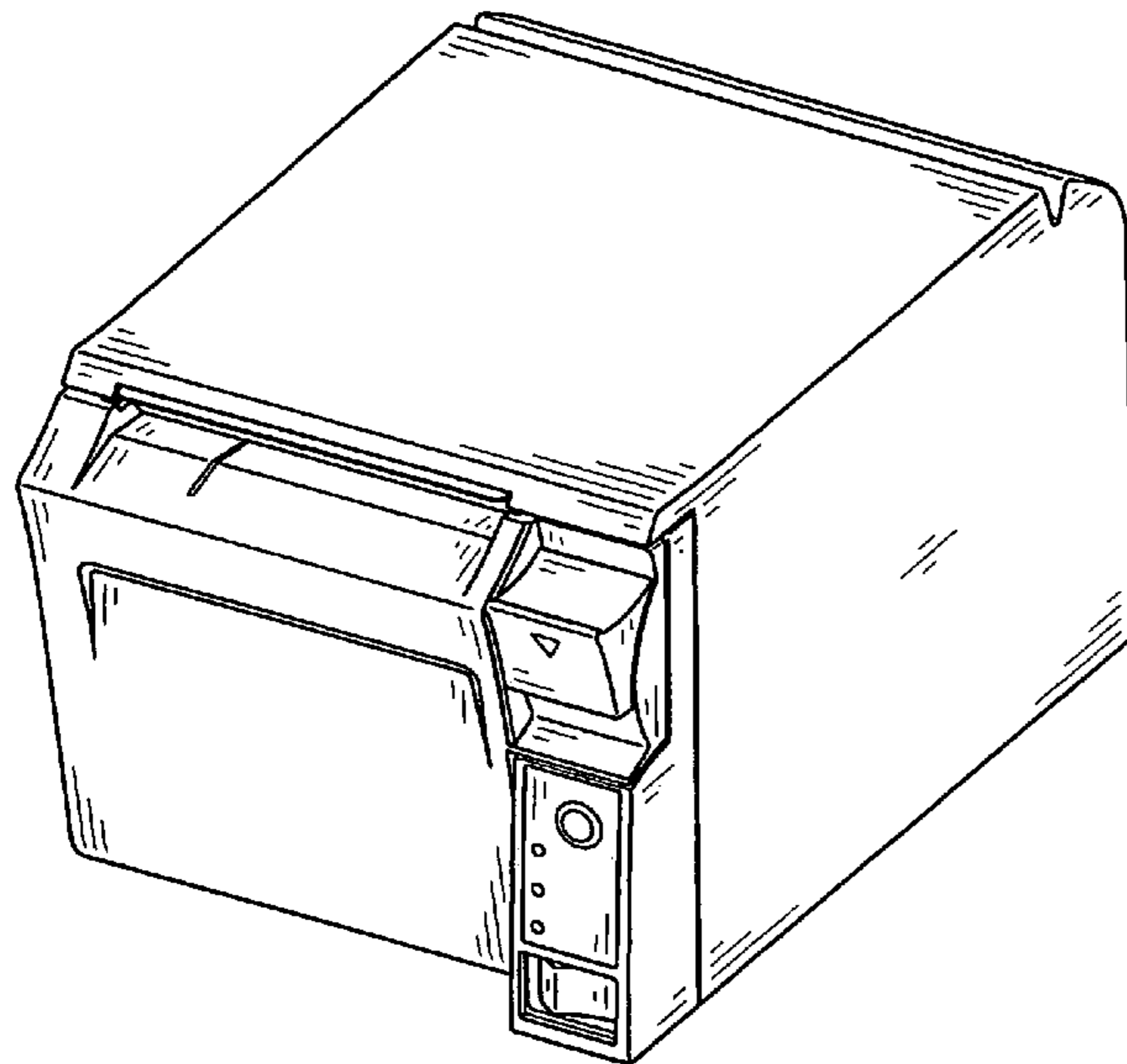
FIG. 4 is a left side view thereof;

FIG. 5 is a right side view thereof;

FIG. 6 is a top view thereof; and,

FIG. 7 is a bottom view thereof.

1 Claim, 4 Drawing Sheets



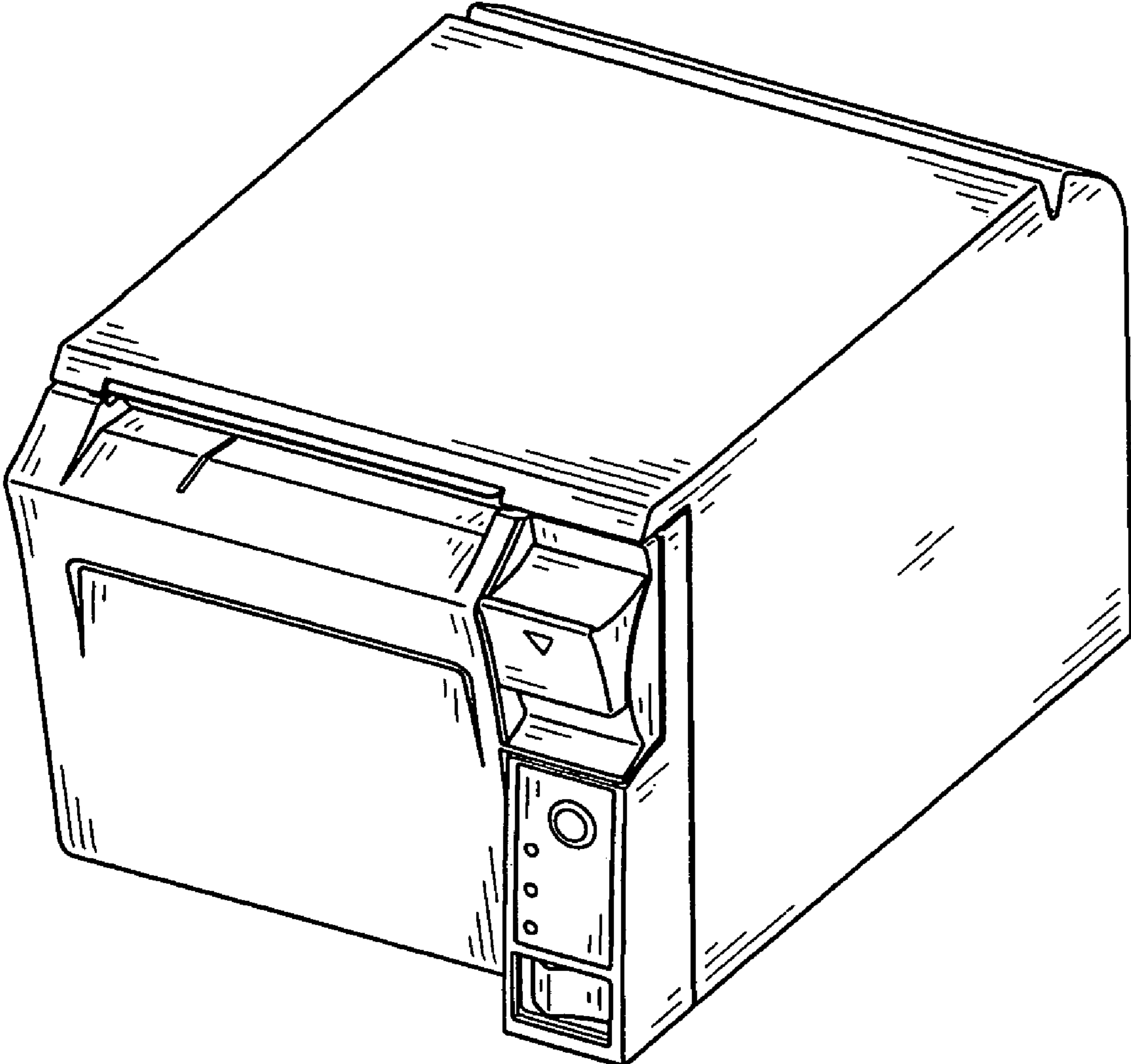


FIG. 1

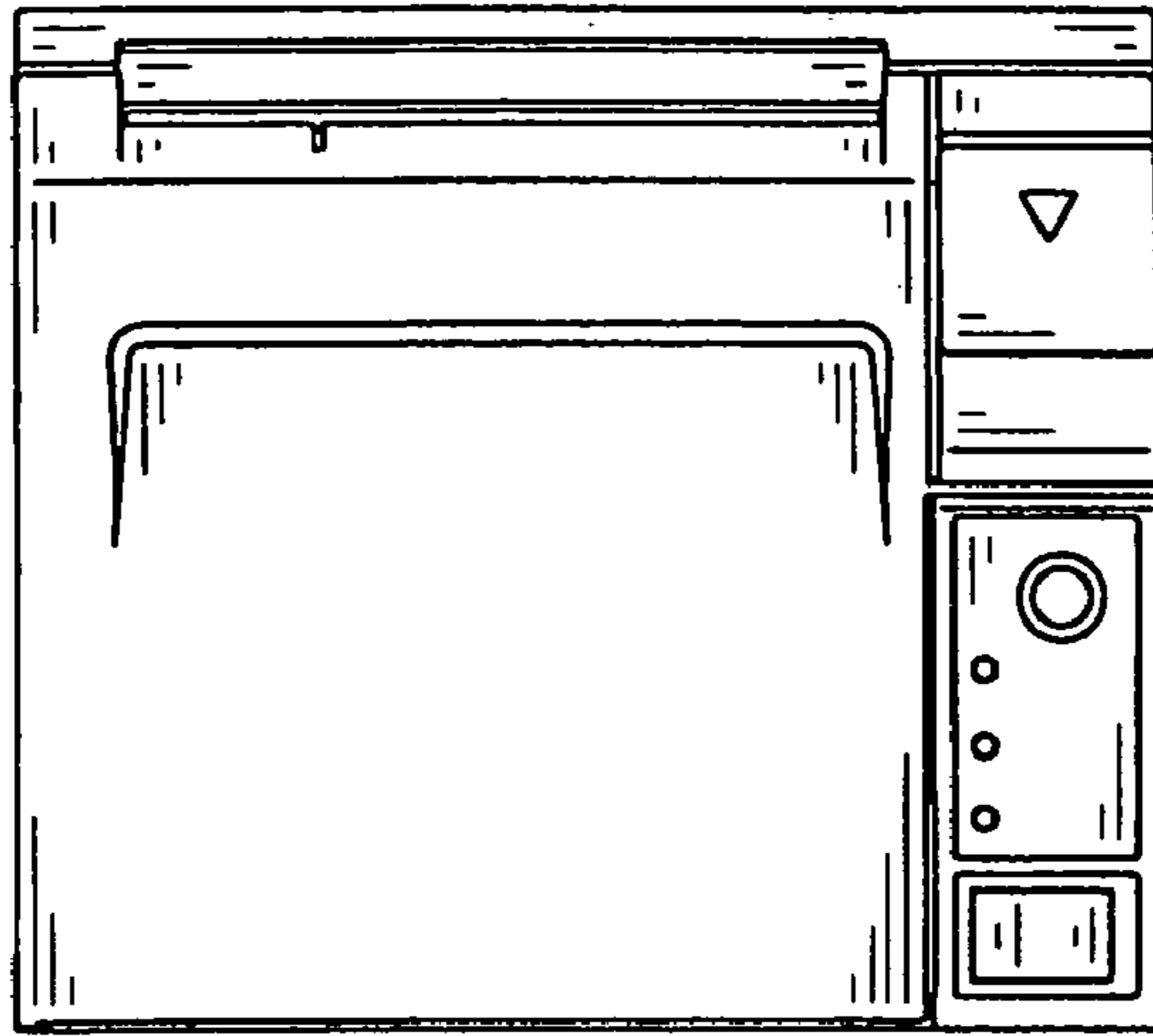


FIG. 2

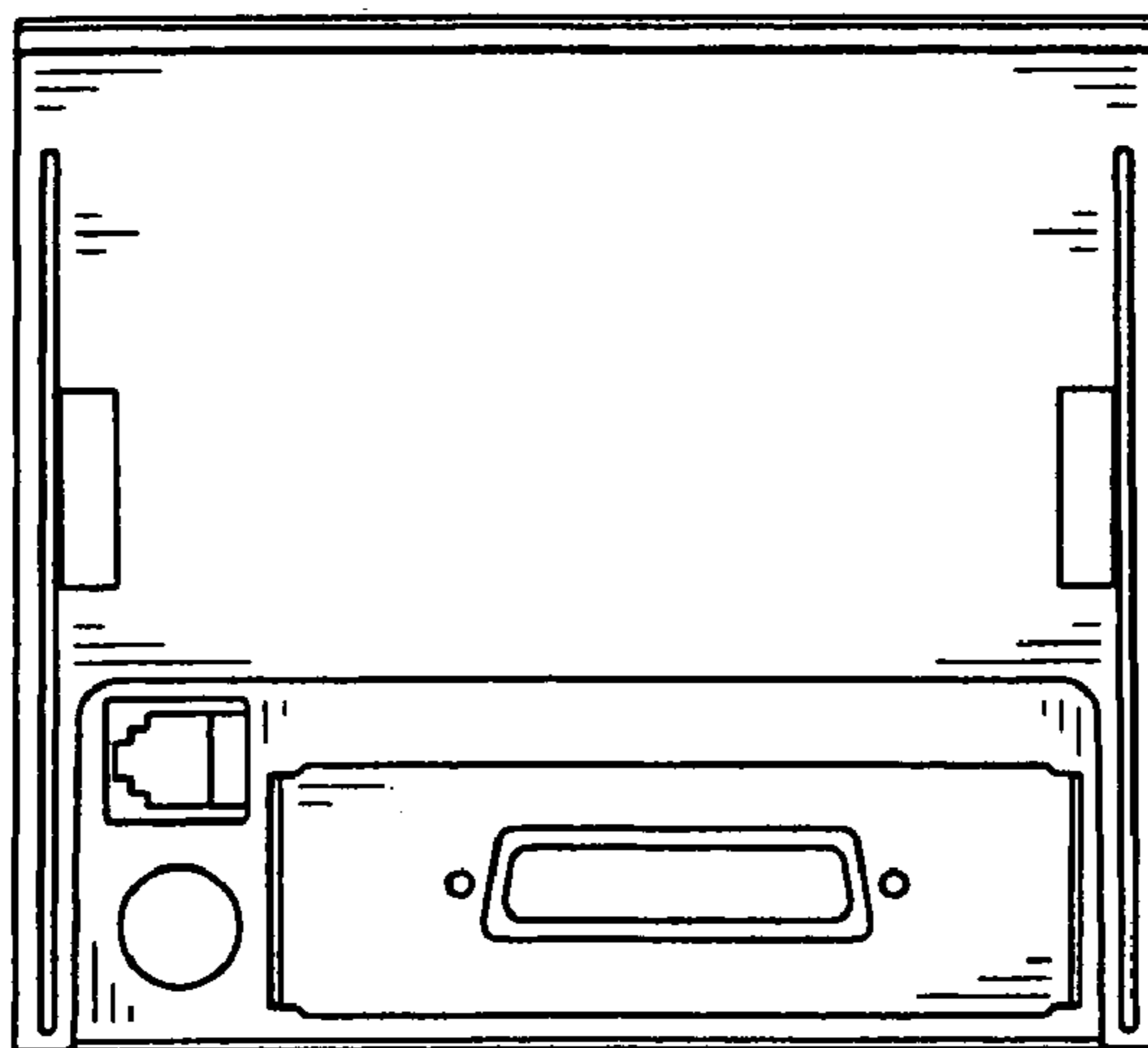


FIG. 3

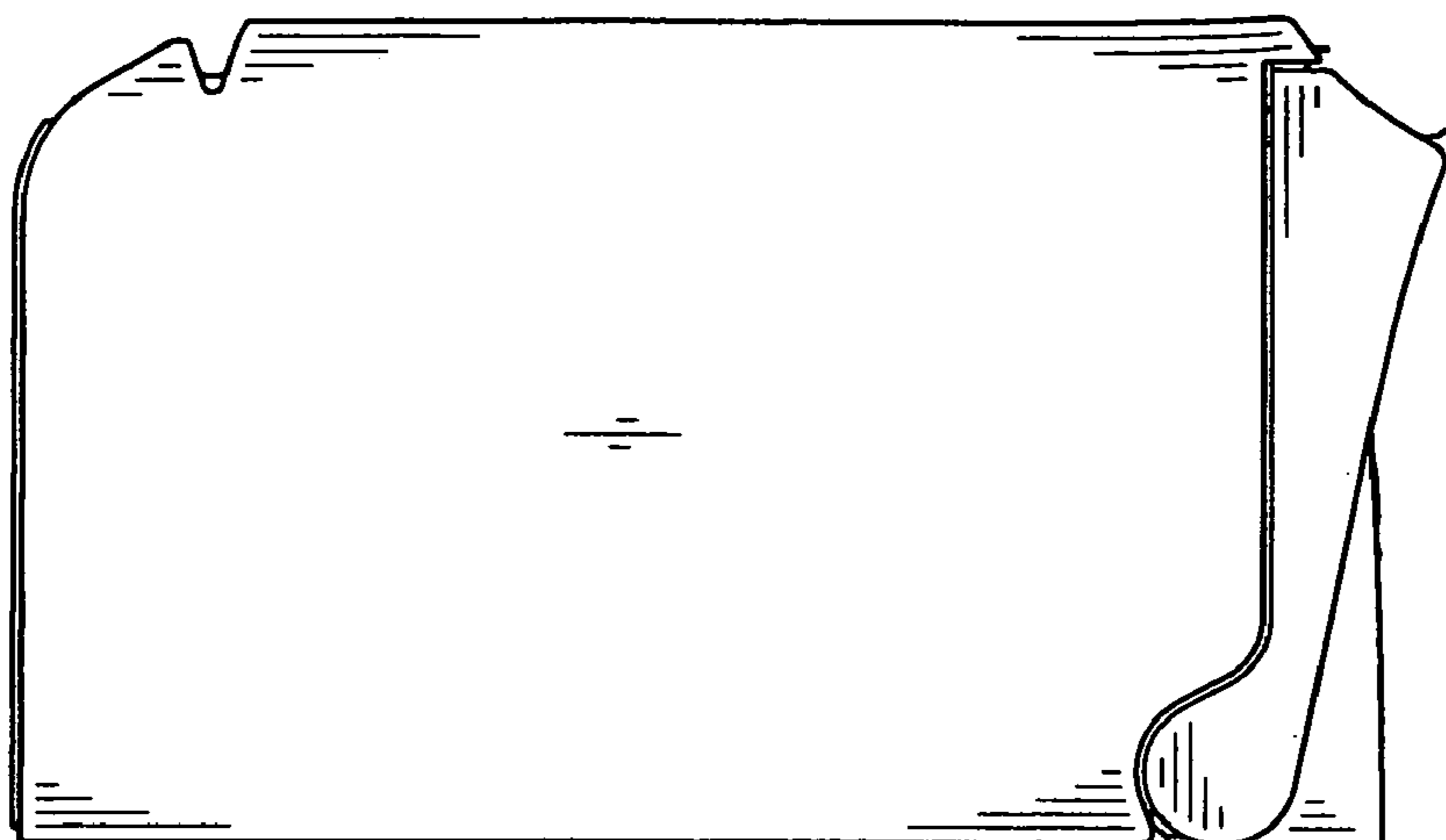


FIG. 4

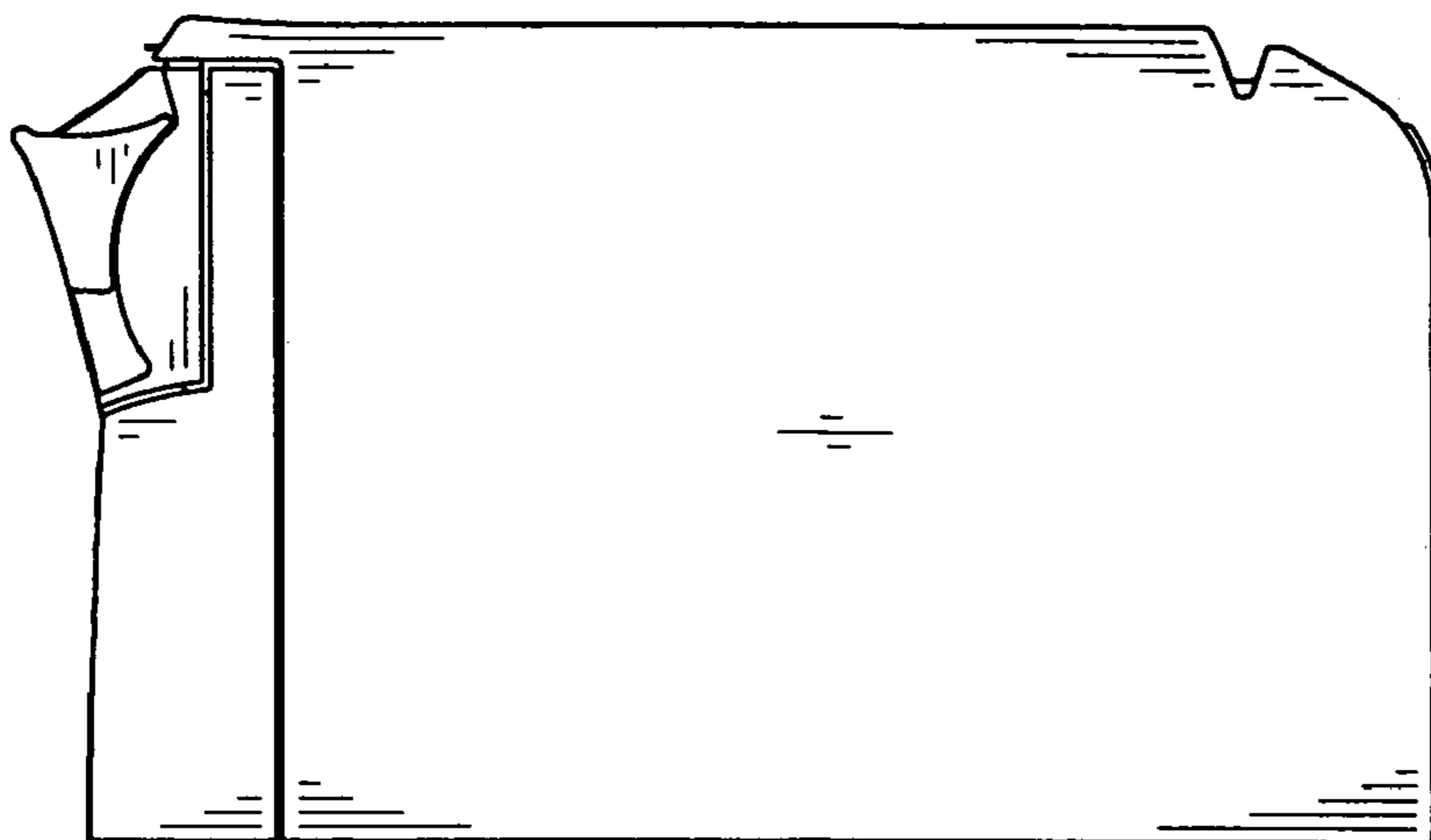


FIG. 5

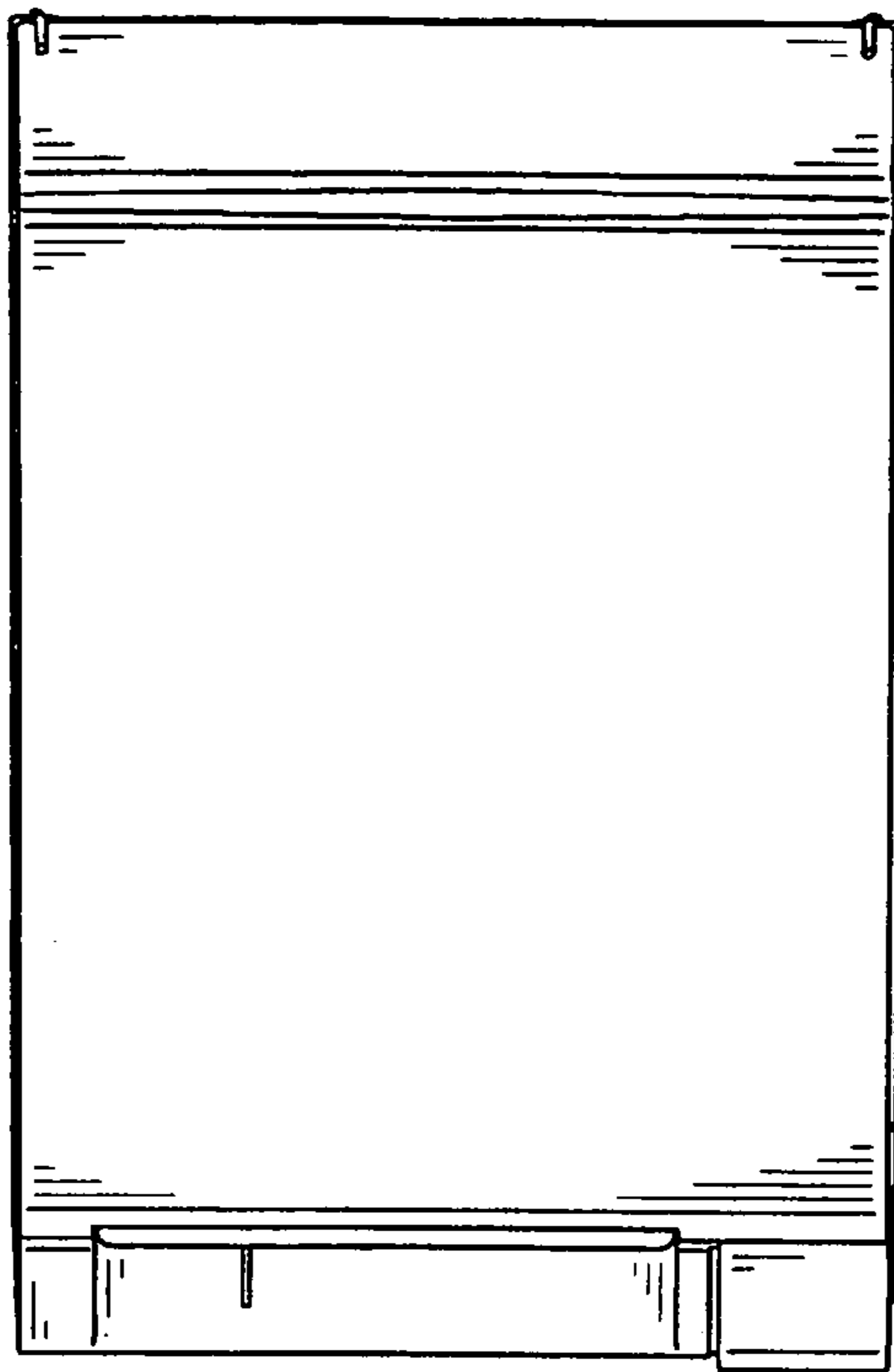


FIG. 6

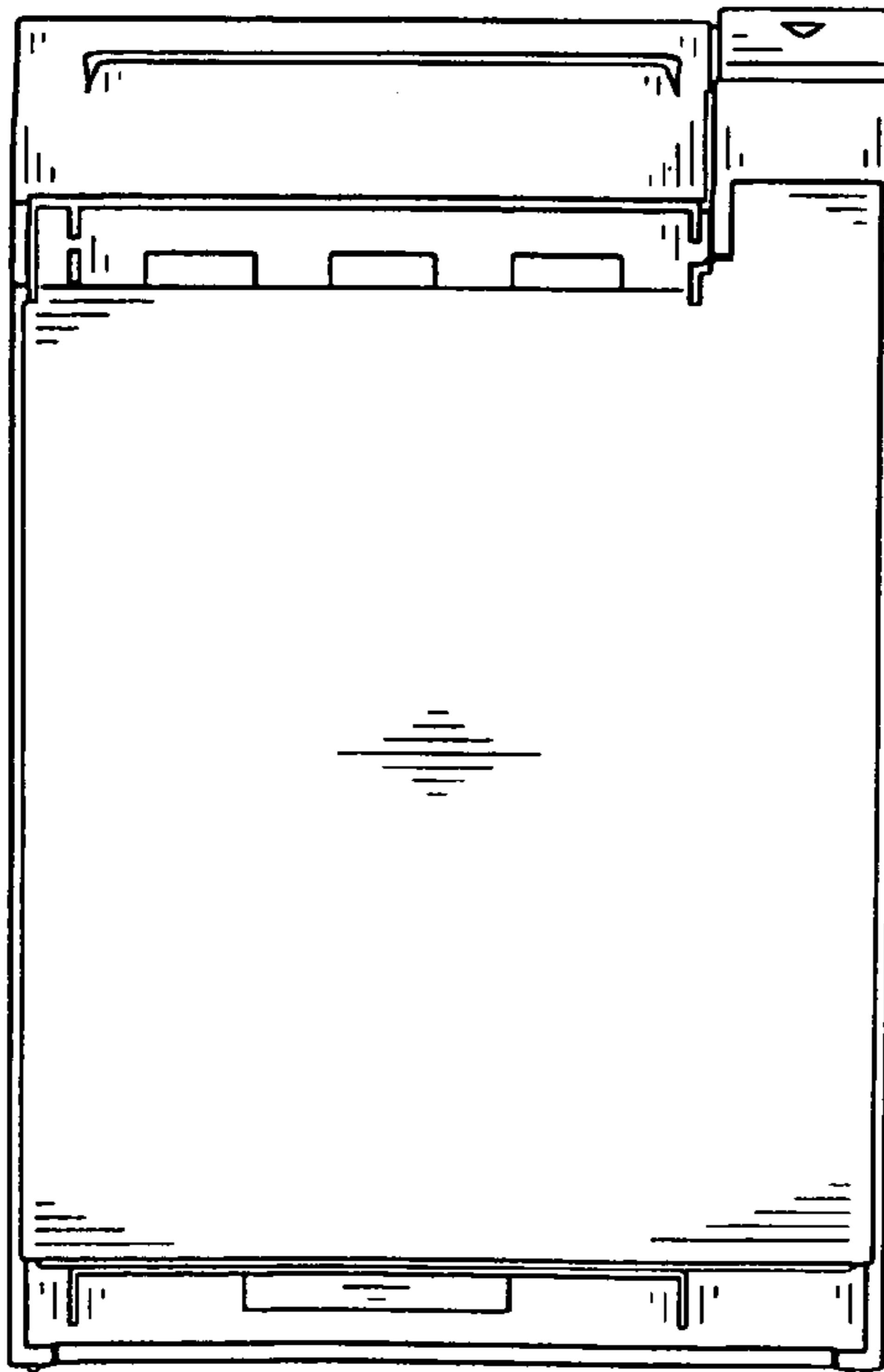


FIG. 7