

US00D544528S

(12) **United States Design Patent**
Kim

(10) **Patent No.:** **US D544,528 S**

(45) **Date of Patent:** **** Jun. 12, 2007**

(54) **TONER CARTRIDGE**

(75) Inventor: **Sung-Gi Kim**, Yongin-Si (KR)

(73) Assignee: **Samsung Electronics Co., Ltd.**,
Suwon-Si, Gyeonggi-Do (KR)

(**) Term: **14 Years**

(21) Appl. No.: **29/220,666**

(22) Filed: **Jan. 4, 2005**

(30) **Foreign Application Priority Data**

Jul. 19, 2004 (KR) 30-2004-0021838

(51) **LOC (8) Cl.** **16-03**

(52) **U.S. Cl.** **D18/43**

(58) **Field of Classification Search** D18/12,
D18/36, 40, 43, 44, 56; D14/462, 469-471;
222/DIG. 1; 347/197, 222; 399/24-28,
399/107-112, 119, 121, 122, 222-224; 400/207,
400/208

See application file for complete search history.

(56) **References Cited**

U.S. PATENT DOCUMENTS

D338,227 S * 8/1993 Tokuda et al. D18/43
D338,909 S * 8/1993 Tokuda et al. D18/43
D357,272 S * 4/1995 Tokuda et al. D18/43
D394,450 S * 5/1998 Katoh et al. D18/43

D397,140 S * 8/1998 Oshida D18/40
D412,932 S * 8/1999 Okada D18/43
D415,191 S * 10/1999 Okada D18/43
D418,862 S * 1/2000 Ogawa et al. D18/43
D433,441 S * 11/2000 Yonekawa et al. D18/43
6,738,589 B2 * 5/2004 Karakama et al. 399/111

* cited by examiner

Primary Examiner—Robert M. Spear

Assistant Examiner—Garth Rademaker

(74) *Attorney, Agent, or Firm*—Leydig, Voit & Mayer, Ltd.

(57) **CLAIM**

I claim the ornamental design for a toner cartridge, as shown and described.

DESCRIPTION

FIG. 1 is a perspective view of a toner cartridge according to my new design;

FIG. 2 is a front view thereof;

FIG. 3 is a rear view thereof;

FIG. 4 is a left side view thereof;

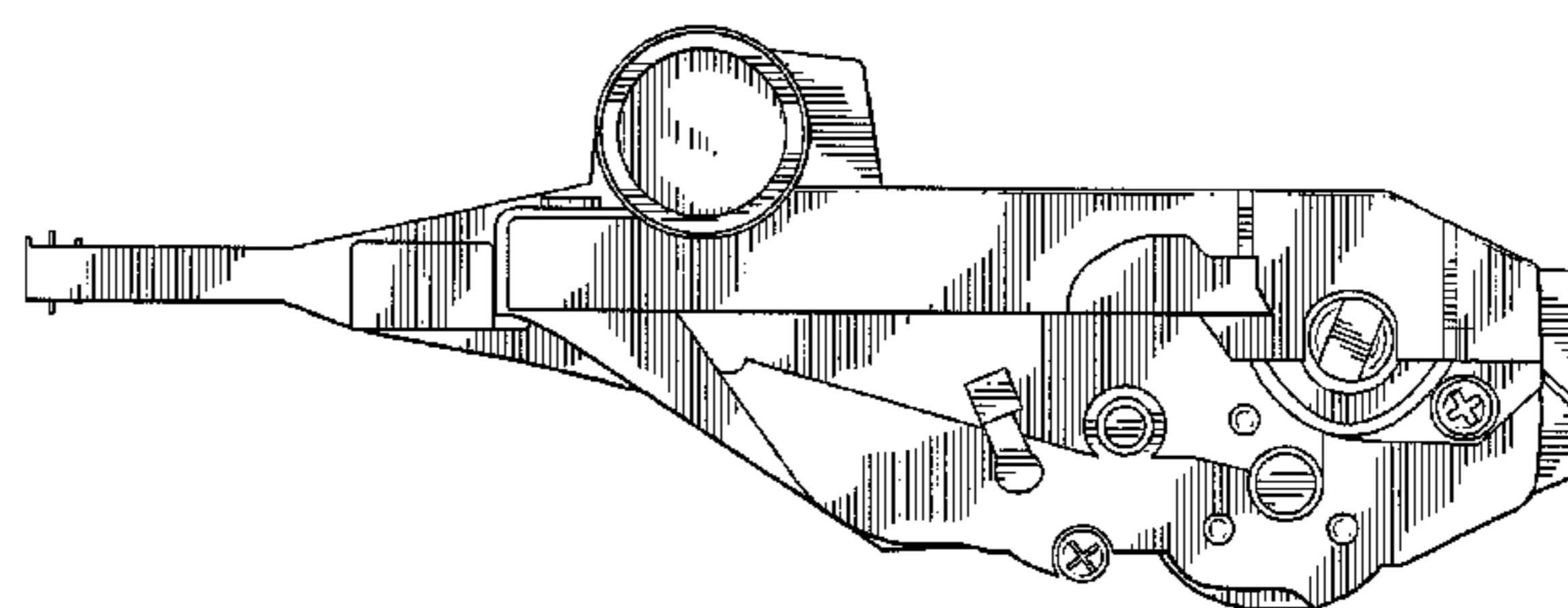
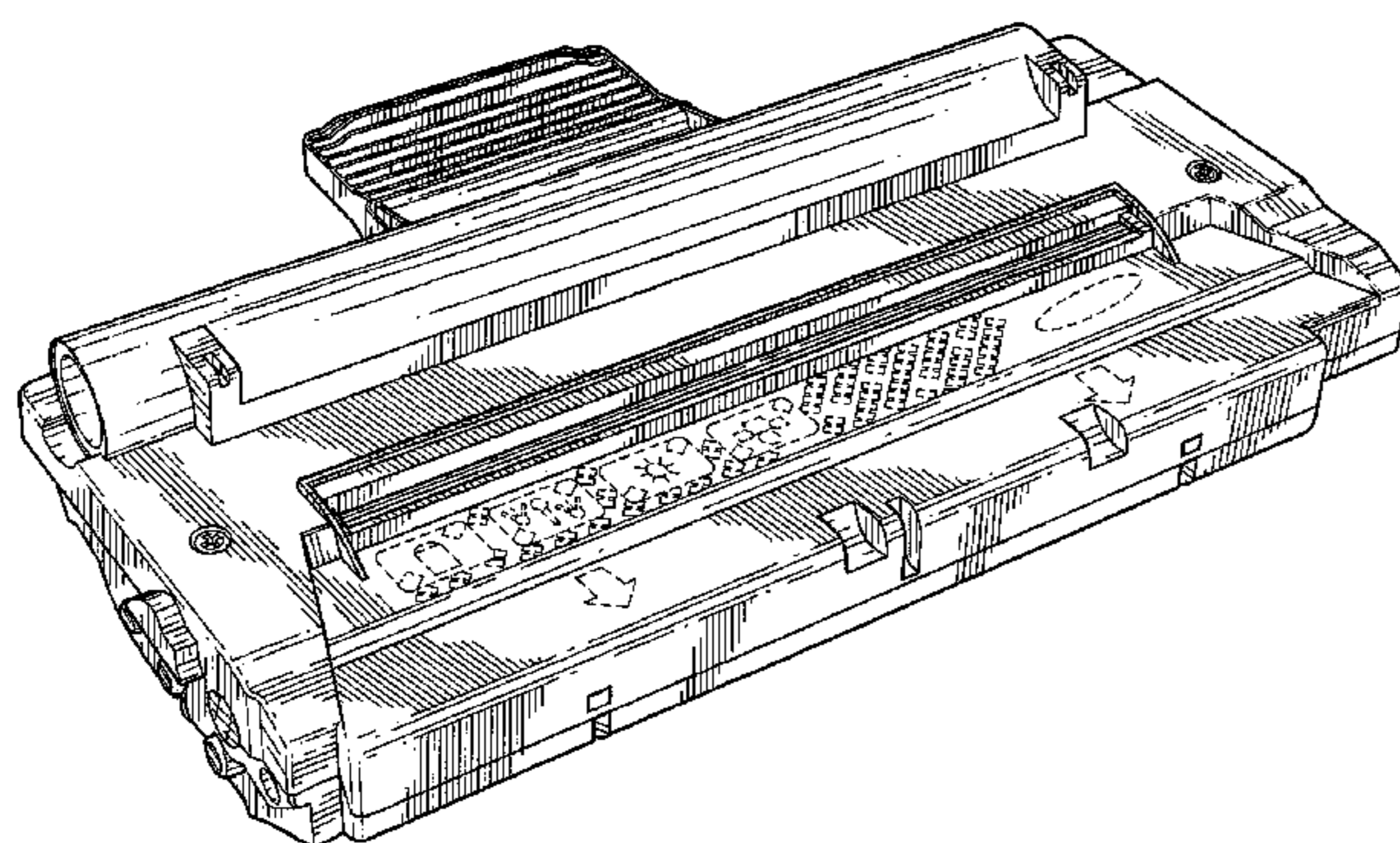
FIG. 5 is a right side view thereof;

FIG. 6 is a top view thereof; and,

FIG. 7 is a bottom view thereof.

The broken lines shown in the figures are for illustrative purposes only and form no part of the claimed design.

1 Claim, 7 Drawing Sheets



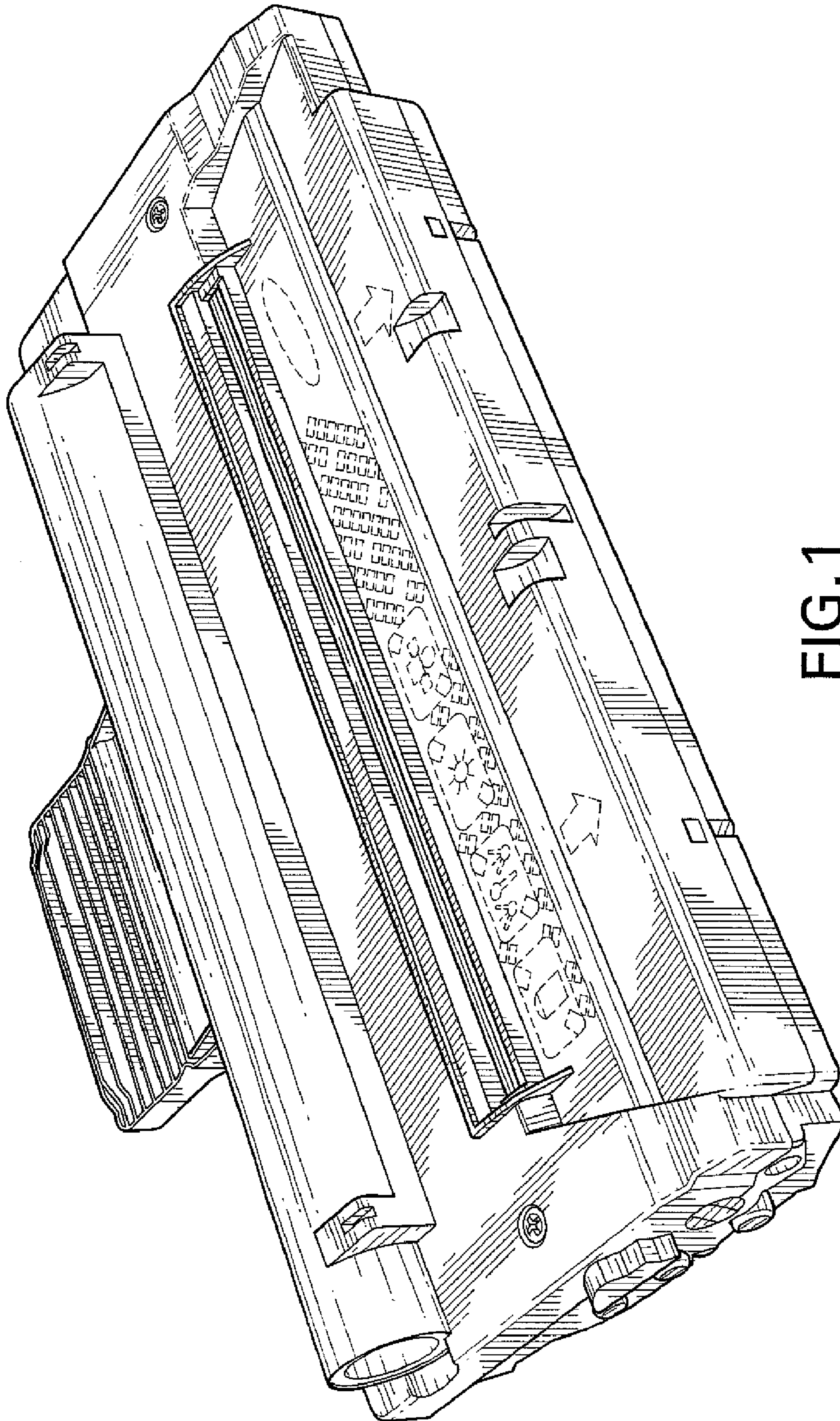


FIG. 1

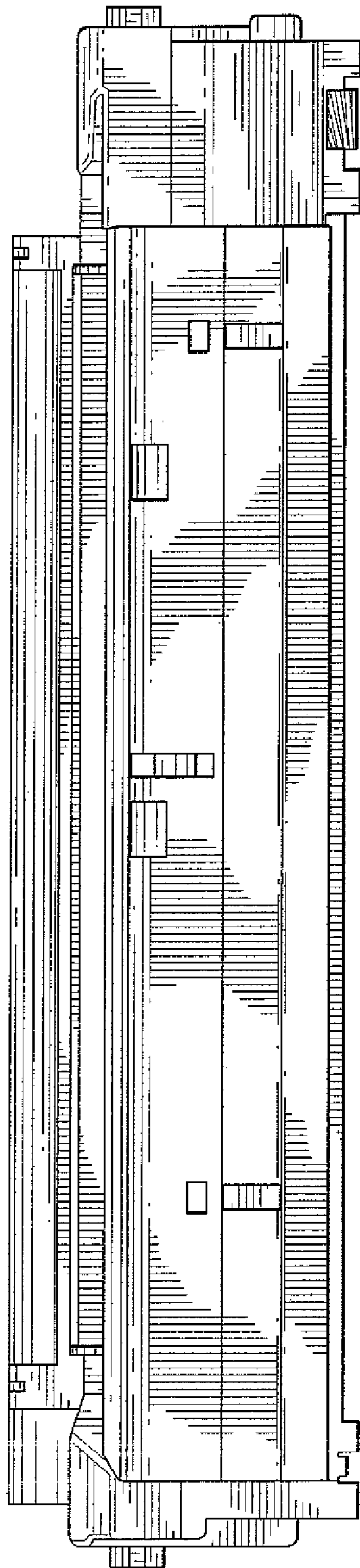


FIG. 2

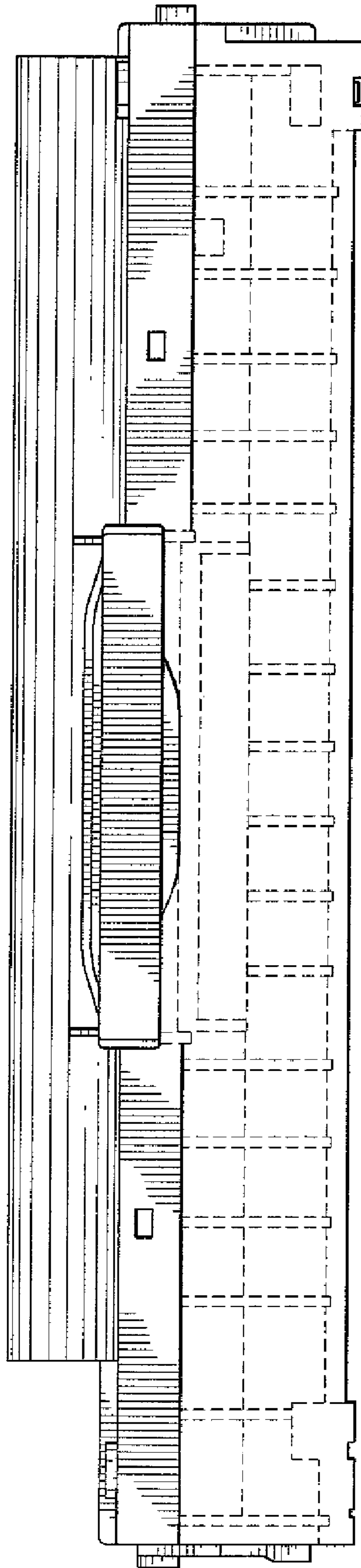


FIG. 3

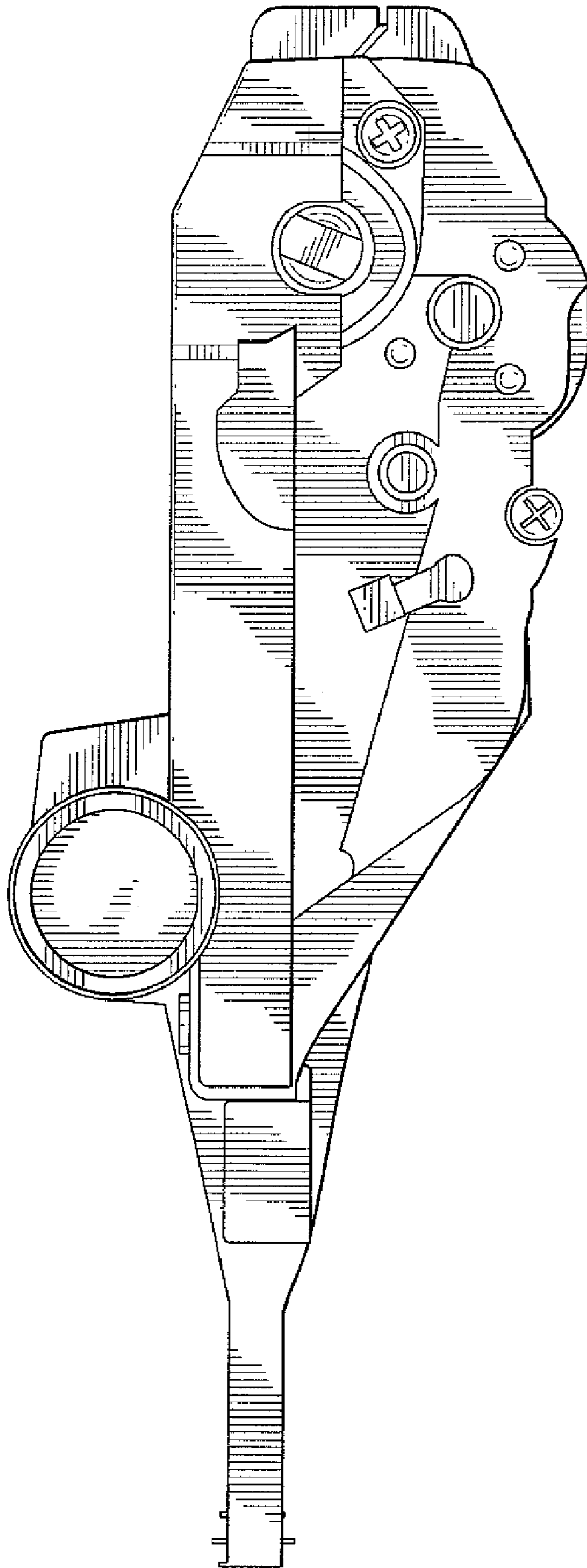


FIG. 4

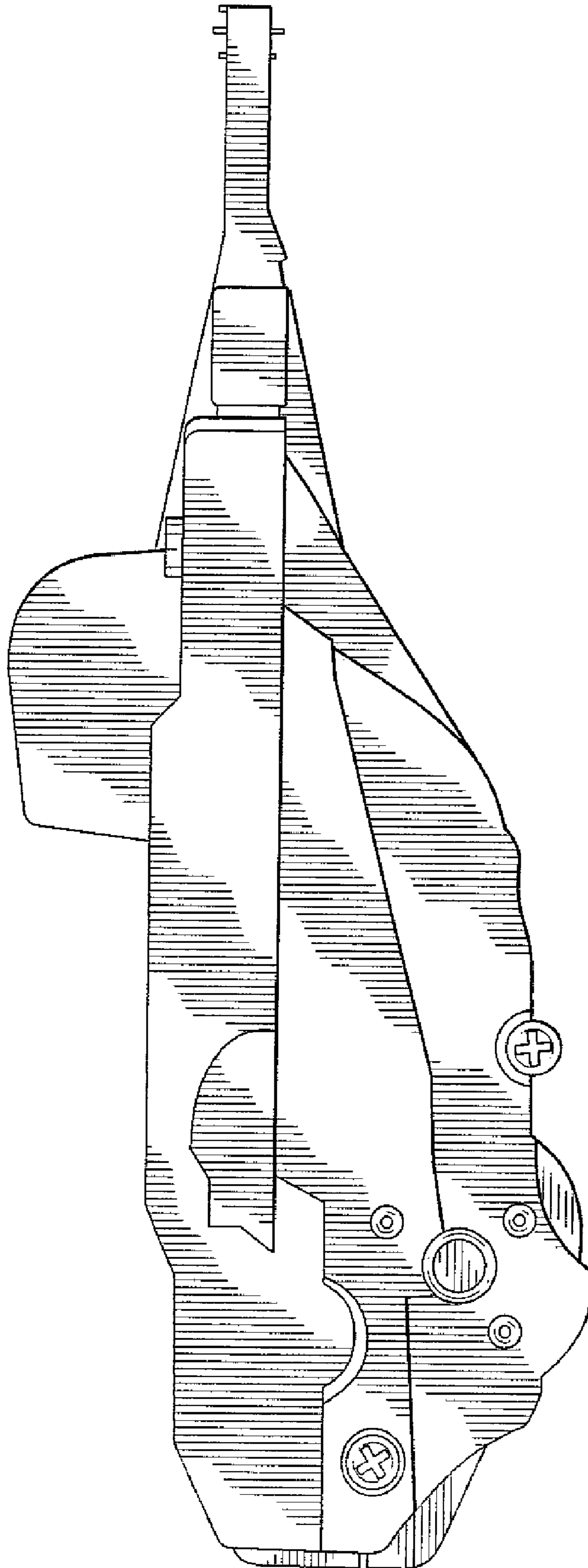


FIG. 5

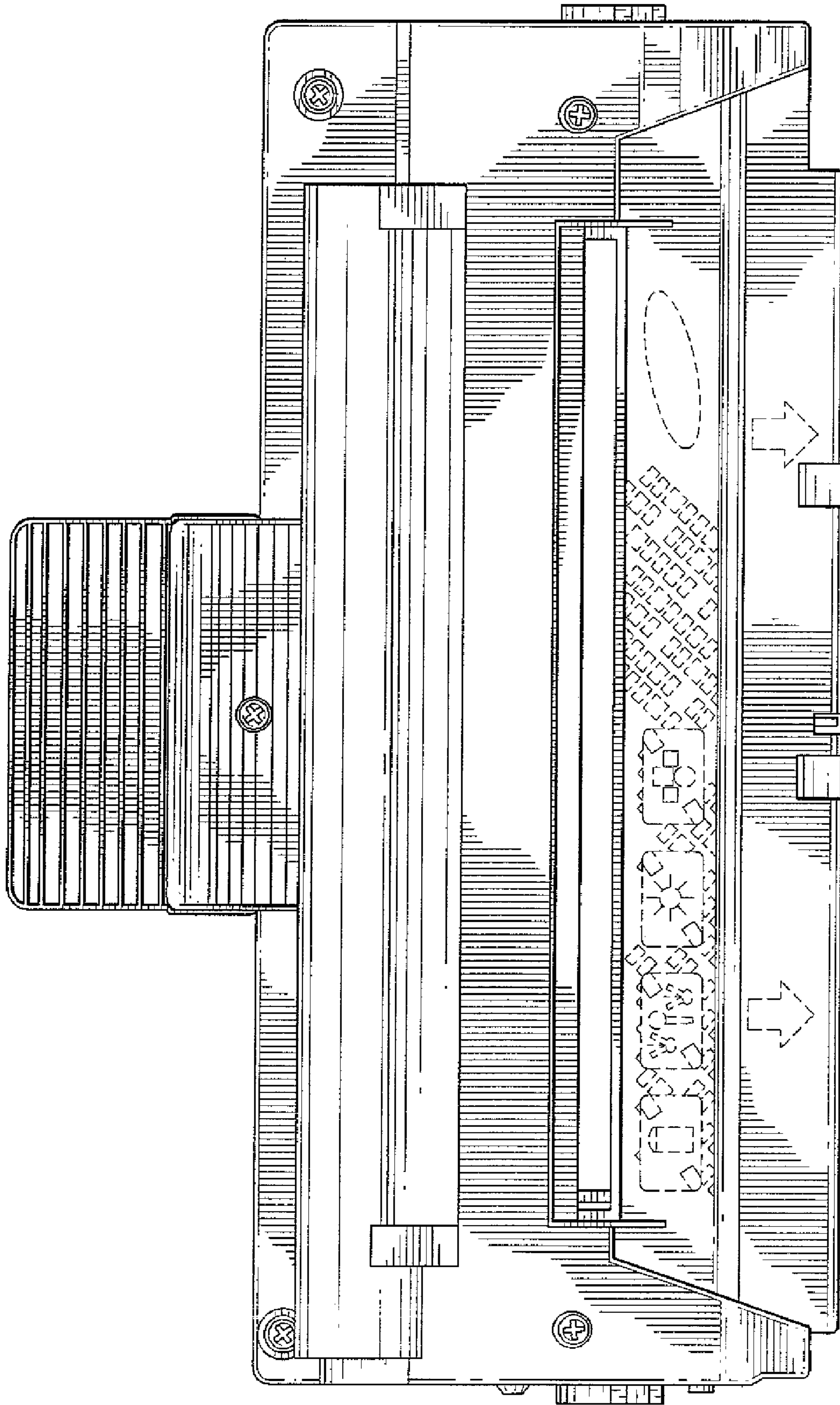


FIG. 6

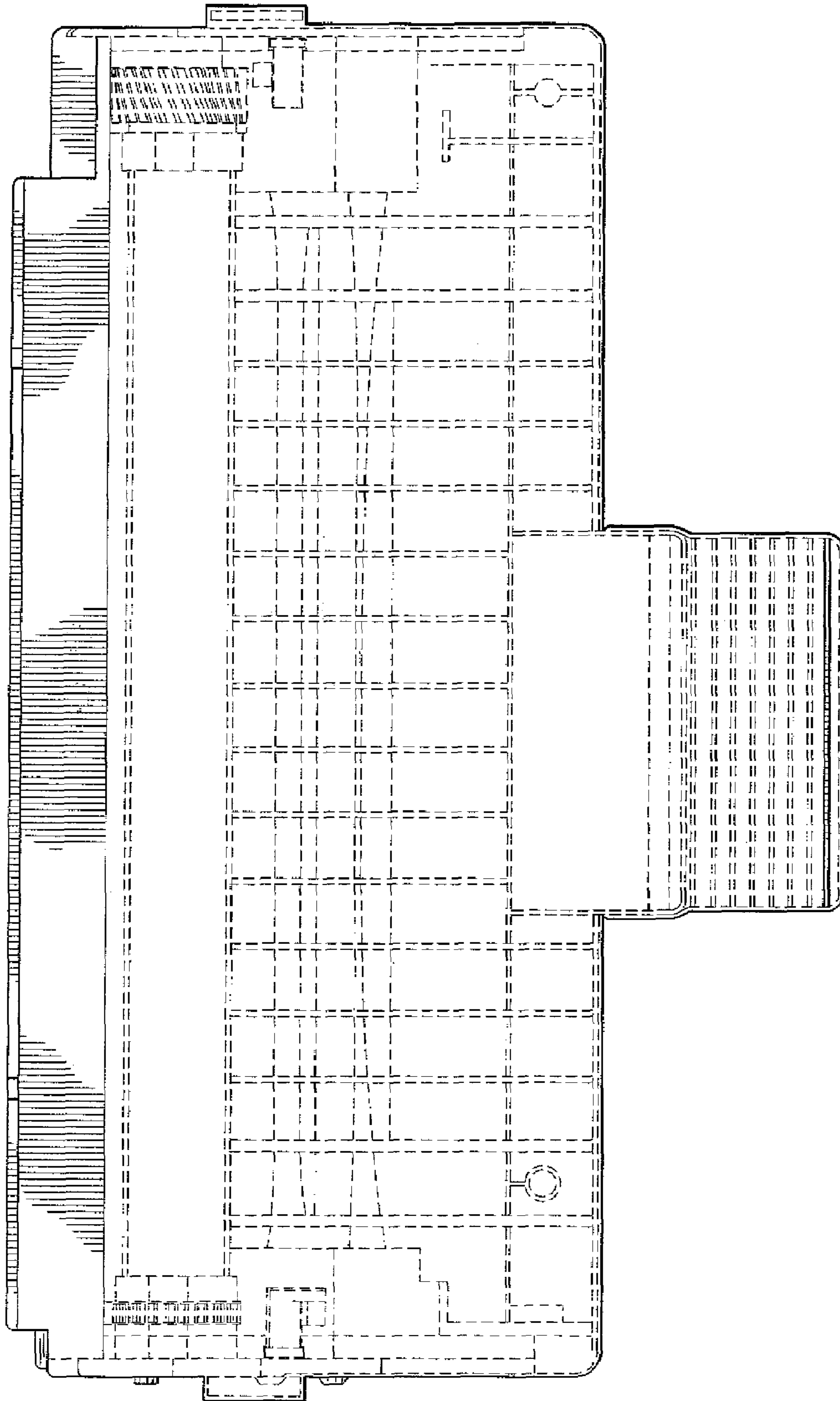


FIG. 7