



US00D544526S

(12) **United States Design Patent**
Shuhui et al.

(10) **Patent No.:** **US D544,526 S**
(45) **Date of Patent:** **** Jun. 12, 2007**

(54) **SHREDDER**

(76) Inventors: **Bai Shuhui**, 23, Daili West District, Putou Village, Dongshi Town, Jinjiang City (CN); **Aron Abramson**, 2025 E. 9 St., Brooklyn, NY (US) 11223; **Charles Sued**, 3360 Bedford Ave., Brooklyn, NY (US) 11210

(**) Term: **14 Years**

(21) Appl. No.: **29/255,722**

(22) Filed: **Mar. 10, 2006**

(51) **LOC (8) Cl.** **18-04**

(52) **U.S. Cl.** **D18/34.4; D18/34.5**

(58) **Field of Classification Search** D18/34.1–34.9, D18/99, 50; 83/167, 289, 302, 203, 523, 83/633; 241/169.1, 36, 154, 157, 222, 224, 241/168, 284, 295, 37.5, 100, 236; 385/13; D8/99; D7/381, 383

See application file for complete search history.

(56) **References Cited**

U.S. PATENT DOCUMENTS

2,308,578	A	1/1943	White et al.	
4,495,456	A	1/1985	Vercillo et al.	
4,609,155	A	9/1986	Garnier	
4,637,560	A *	1/1987	Goldhammer	241/100
4,650,128	A	3/1987	Goldhammer	
5,035,366	A	7/1991	Hashimoto et al.	
5,054,695	A	10/1991	Koornhof	
5,167,374	A	12/1992	Strohmeier	
5,474,241	A	12/1995	Kennedy	
D370,689	S *	6/1996	Harris	D18/34.4
5,772,129	A	6/1998	Nishio et al.	
5,839,675	A	11/1998	Henreckson et al.	
5,934,584	A	8/1999	Schwelling	
5,988,542	A	11/1999	Henreckson et al.	
6,079,645	A	6/2000	Henreckson et al.	
6,116,528	A	9/2000	Schwelling	
D437,343	S	2/2001	Ho	
D444,809	S *	7/2001	Chang	D18/34.4

D446,543	S	8/2001	Ho	
D449,850	S	10/2001	Ho	
D454,907	S	3/2002	Ho	
D455,170	S	4/2002	Ho	
D455,171	S	4/2002	Ho	
6,390,397	B1	5/2002	Ko	
6,513,740	B2	2/2003	Ho	
6,588,616	B1	7/2003	Ho	
D481,416	S *	10/2003	Chang	D18/34.4
D498,252	S	11/2004	Lo	
D498,253	S	11/2004	Lo	
D502,729	S	3/2005	Lo	
D502,761	S	3/2005	Lo	
D502,960	S	3/2005	Lo	
6,962,301	B1 *	11/2005	Chang	241/100
6,964,386	B2	11/2005	Ho	
7,040,559	B2 *	5/2006	Matlin et al.	241/100
D532,445	S *	11/2006	Lo	D18/34.5
D535,322	S *	1/2007	Lo	D18/34.4
7,156,330	B1 *	1/2007	Lo	241/36

(Continued)

Primary Examiner—Charles A. Rademaker
(74) *Attorney, Agent, or Firm*—Garcia-Zamor IP Law; Ruy M. Garcia-Zamor

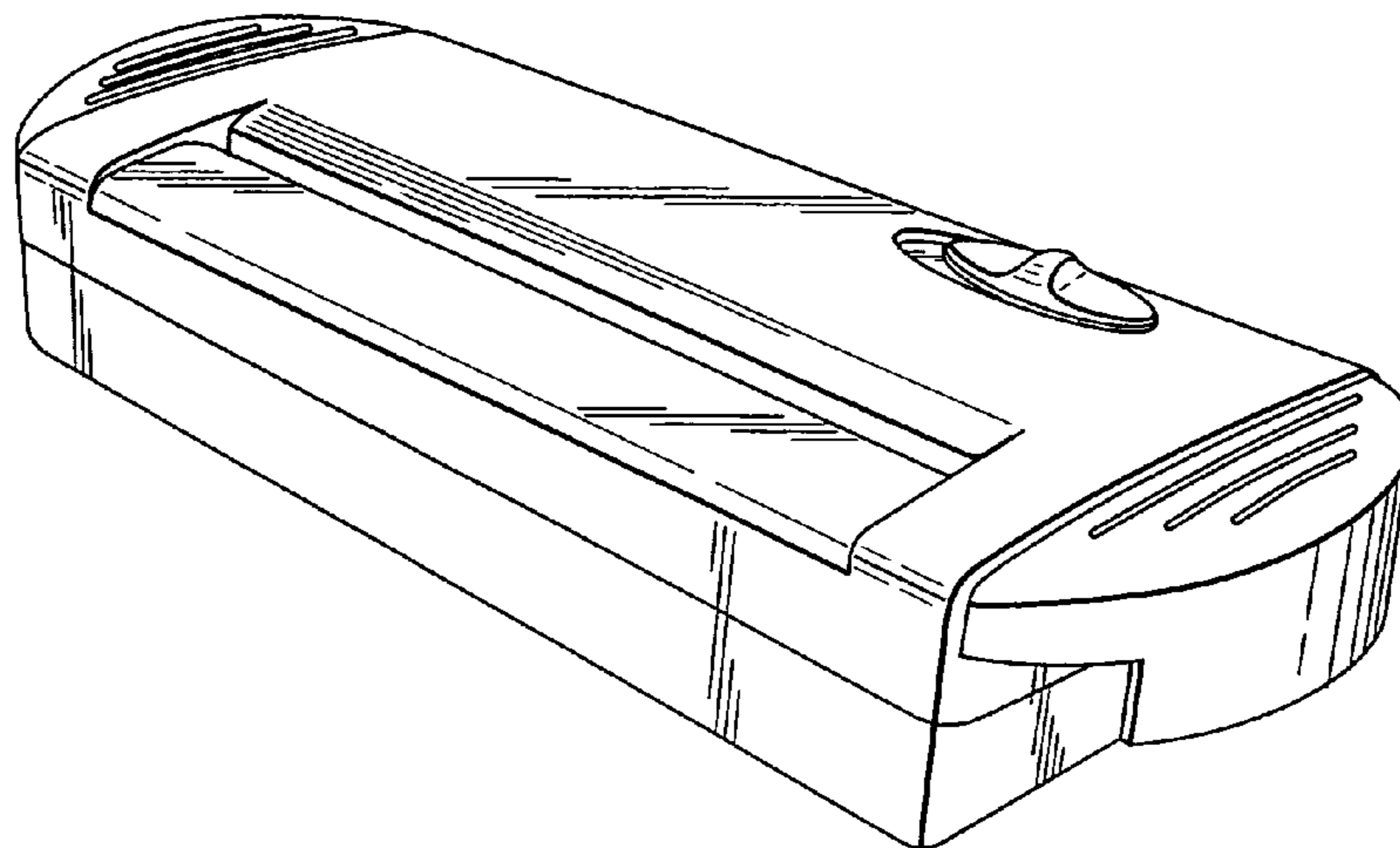
(57) **CLAIM**

The ornamental design for a shredder, as shown and described.

DESCRIPTION

FIG. 1 is a perspective view of a shredder showing our new design;
FIG. 2 is a top plan view thereof;
FIG. 3 is a bottom plan thereof;
FIG. 4 is a front elevation thereof;
FIG. 5 is a right side elevation thereof;
FIG. 6 is a rear elevation thereof; and,
FIG. 7 is a left side elevation thereof.

1 Claim, 2 Drawing Sheets



US D544,526 S

Page 2

U.S. PATENT DOCUMENTS

2003/0006330 A1 1/2003 Chang
2003/0042342 A1 3/2003 Kroger et al.
2004/0129810 A1 7/2004 Kasproicz et al.

2005/0001080 A1 1/2005 Nemedi
2005/0236503 A1 10/2005 Matlin et al.
2005/0241998 A1 11/2005 Nemedi

* cited by examiner

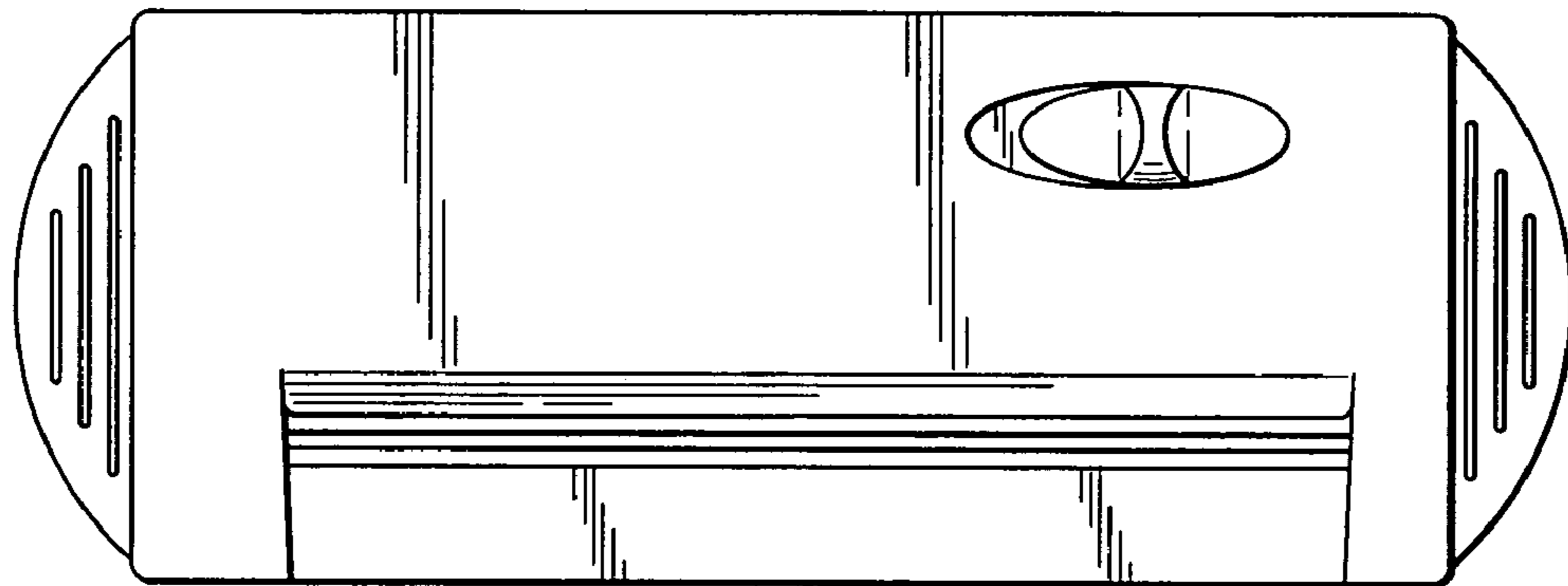
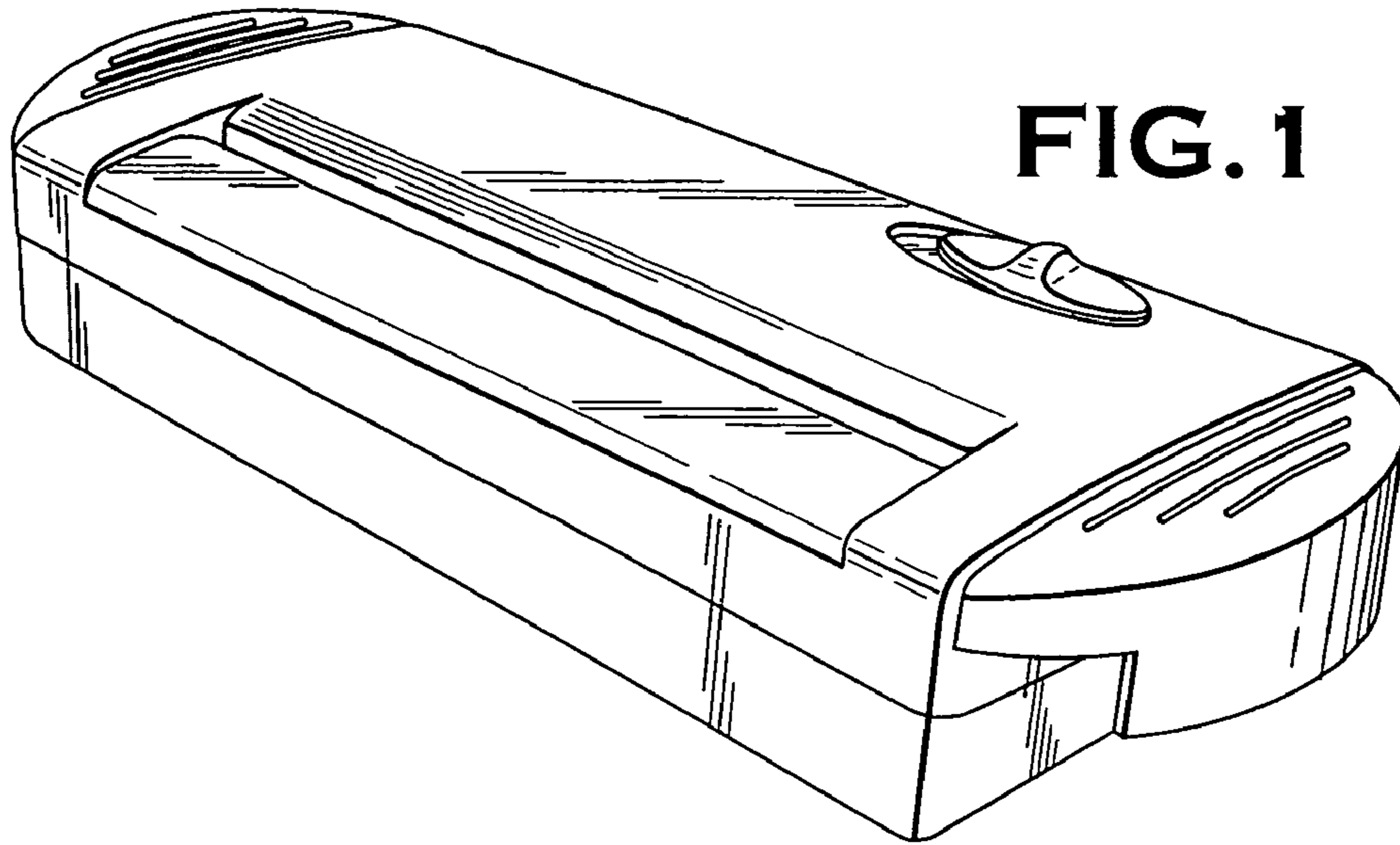


FIG. 2

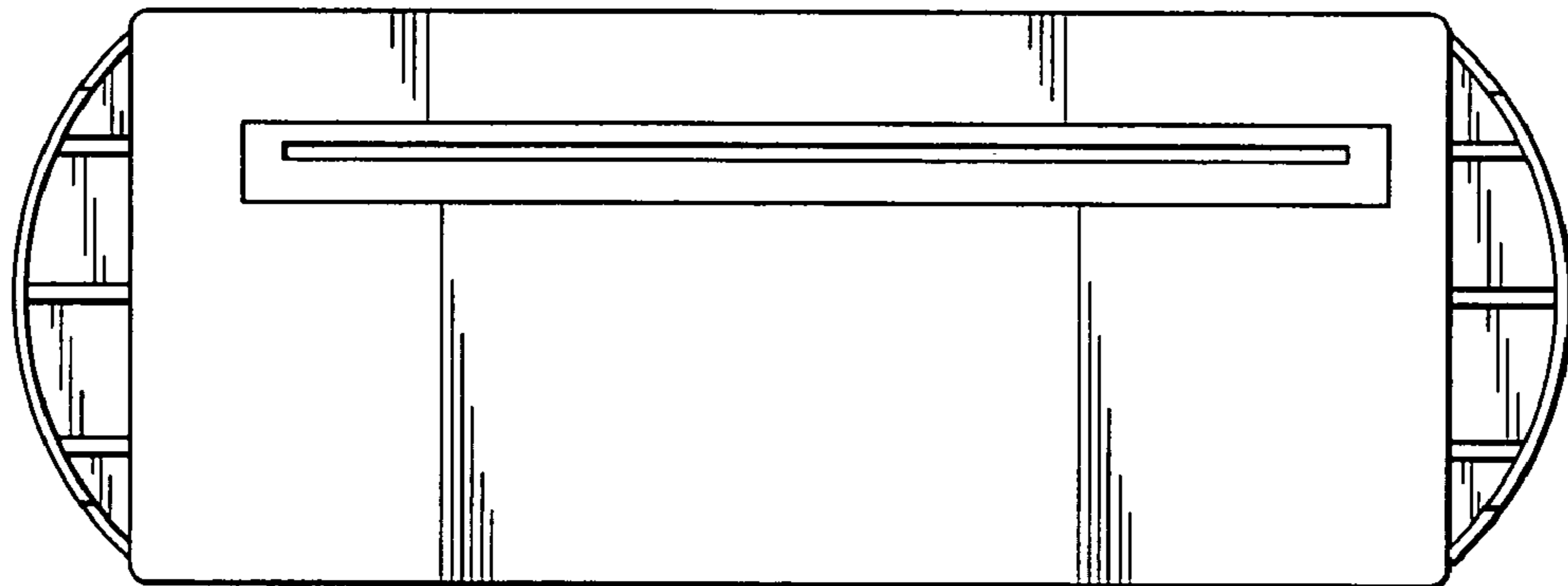


FIG. 3

FIG.4

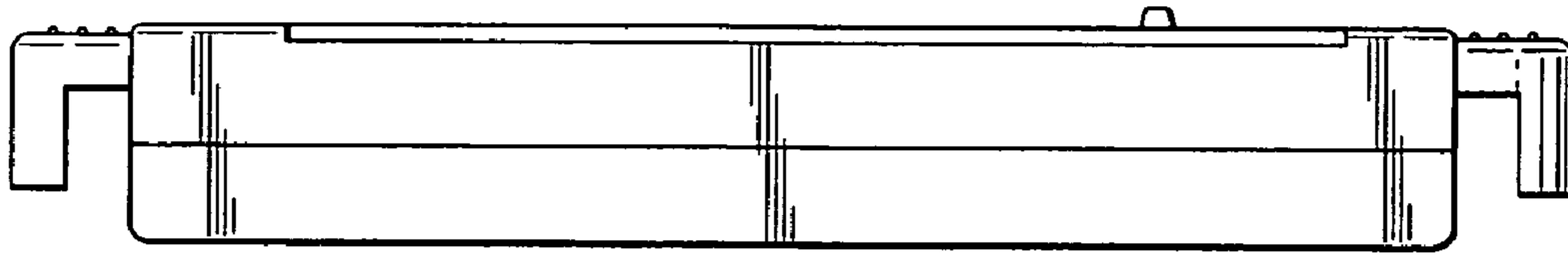


FIG.5

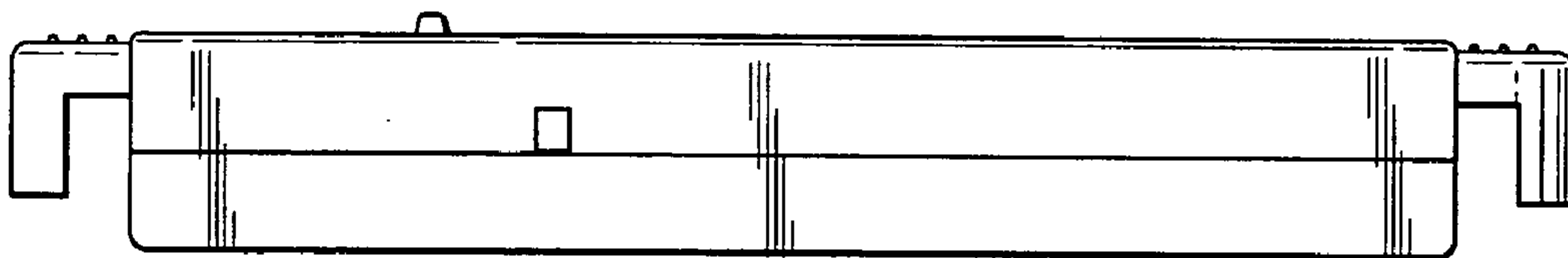


FIG.6

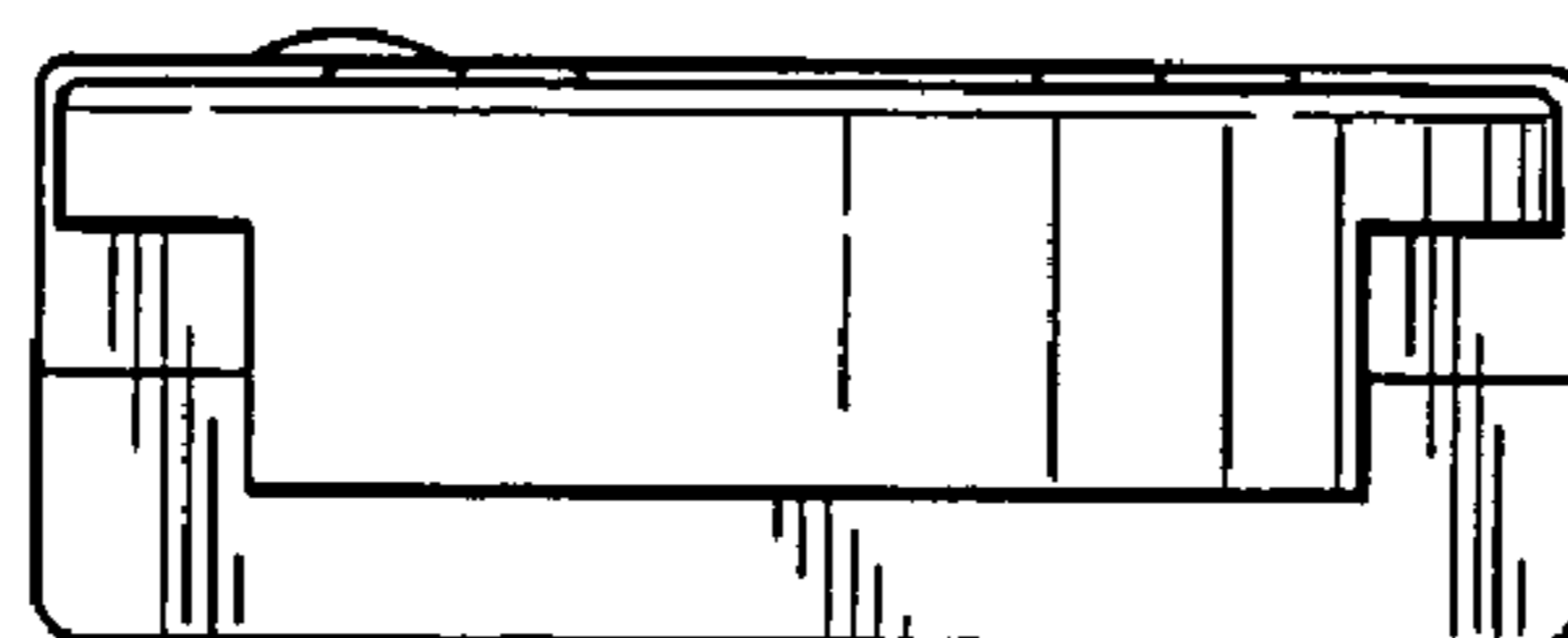


FIG.7