



US00D544525S

(12) **United States Design Patent**
Beno et al.

(10) **Patent No.:** **US D544,525 S**
(45) **Date of Patent:** **** Jun. 12, 2007**

(54) **BINDING MACHINE**

(75) Inventors: **Steven Beno**, Gurnee, IL (US); **Mikael Bäckström**, Chicago, IL (US)

(73) Assignee: **General Binding Corporation**, Northbrook, IL (US)

(**) Term: **14 Years**

(21) Appl. No.: **29/236,141**

(22) Filed: **Aug. 11, 2005**

(51) **LOC (8) Cl.** **18-04**

(52) **U.S. Cl.** **D18/34.2**

(58) **Field of Classification Search** D18/34.1,
D18/34.2; D8/49, 50, 72-74; 412/13, 40,
412/43, 900; 271/3.02, 162-164, 223-224,
271/208

See application file for complete search history.

(56) **References Cited**

U.S. PATENT DOCUMENTS

3,060,780	A *	10/1962	Stuckens	412/40
3,879,783	A *	4/1975	Giulie	412/43
D246,204	S *	10/1977	Balmer et al.	D18/34.2
D261,529	S	10/1981	Hausmann		
D261,530	S	10/1981	Hausmann		
D284,870	S	7/1986	Terracciano		
D287,511	S *	12/1986	Scharer	D18/34.2

(Continued)

OTHER PUBLICATIONS

- AccuCut® 2003 Education Catalog, pp. 23-24, © 2003.
- AccuCut® 2002 Education Catalog, pp. 30-31, © 2001.
- AccuCut® 2001 Education Catalog, pp. 24-25, © 2001.
- AccuCut® 2000 Education Catalog, pp. 34-35, © 1999.

Primary Examiner—Charles A. Rademaker

(74) *Attorney, Agent, or Firm*—Michael Best & Friedrich LLP

(57) **CLAIM**

The ornamental design for a binding machine, as shown and described.

DESCRIPTION

FIG. 1 is a top front and right side perspective view of a binding machine showing our new design;

FIG. 2 is top rear and right side perspective view thereof;

FIG. 3 is a top plan view thereof;

FIG. 4 is a bottom plan view thereof;

FIG. 5 is a front elevation thereof;

FIG. 6 is a rear elevation thereof;

FIG. 7 is a left side elevation thereof;

FIG. 8 is a right side elevation thereof;

FIG. 9 is a top front and right side perspective view of a modified embodiment of the design shown in FIGS. 1 through 8;

FIG. 10 is a top rear and right side perspective view thereof;

FIG. 11 is a top plan view thereof;

FIG. 12 is a bottom plan view thereof;

FIG. 13 is a front elevation thereof;

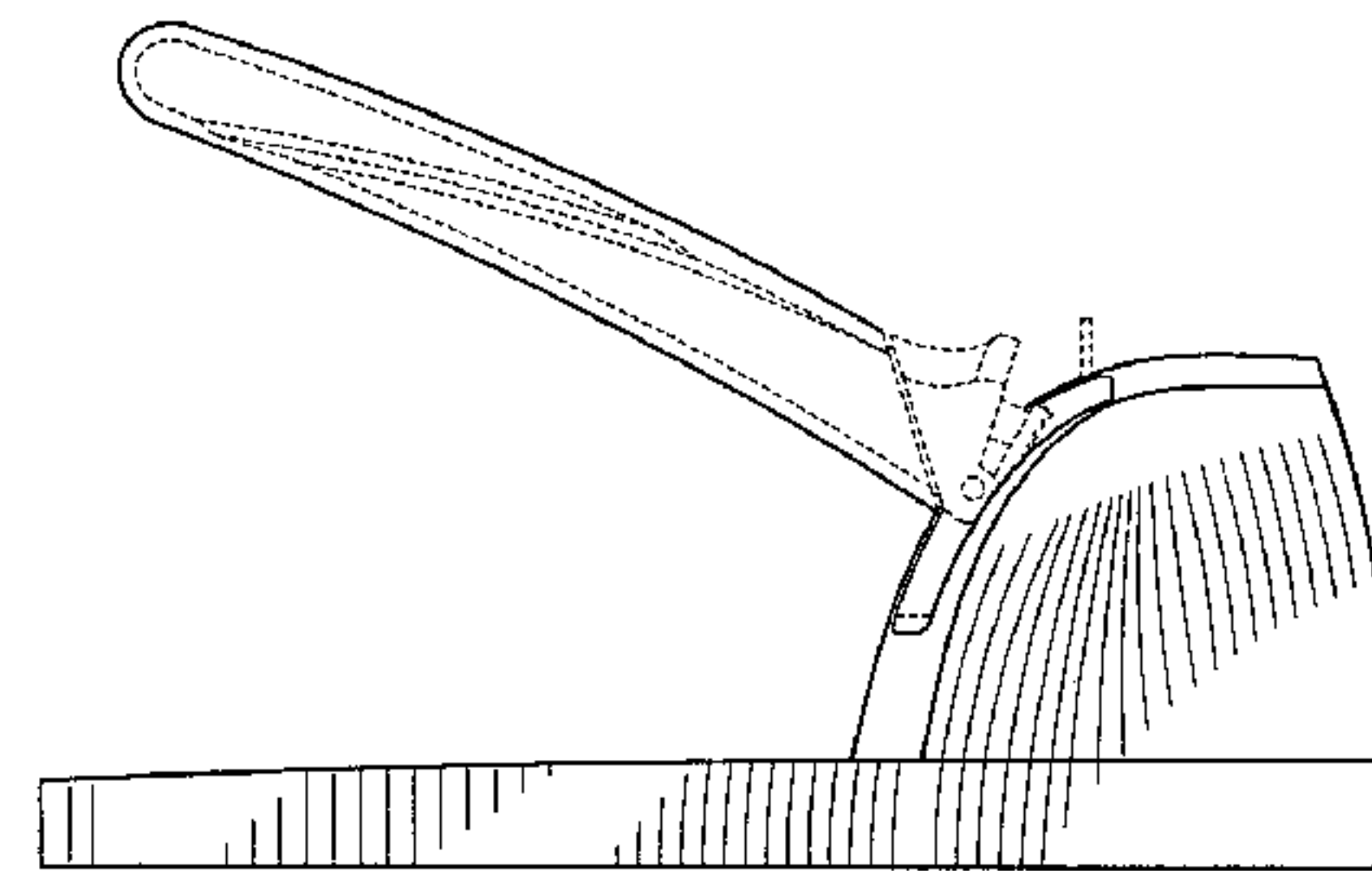
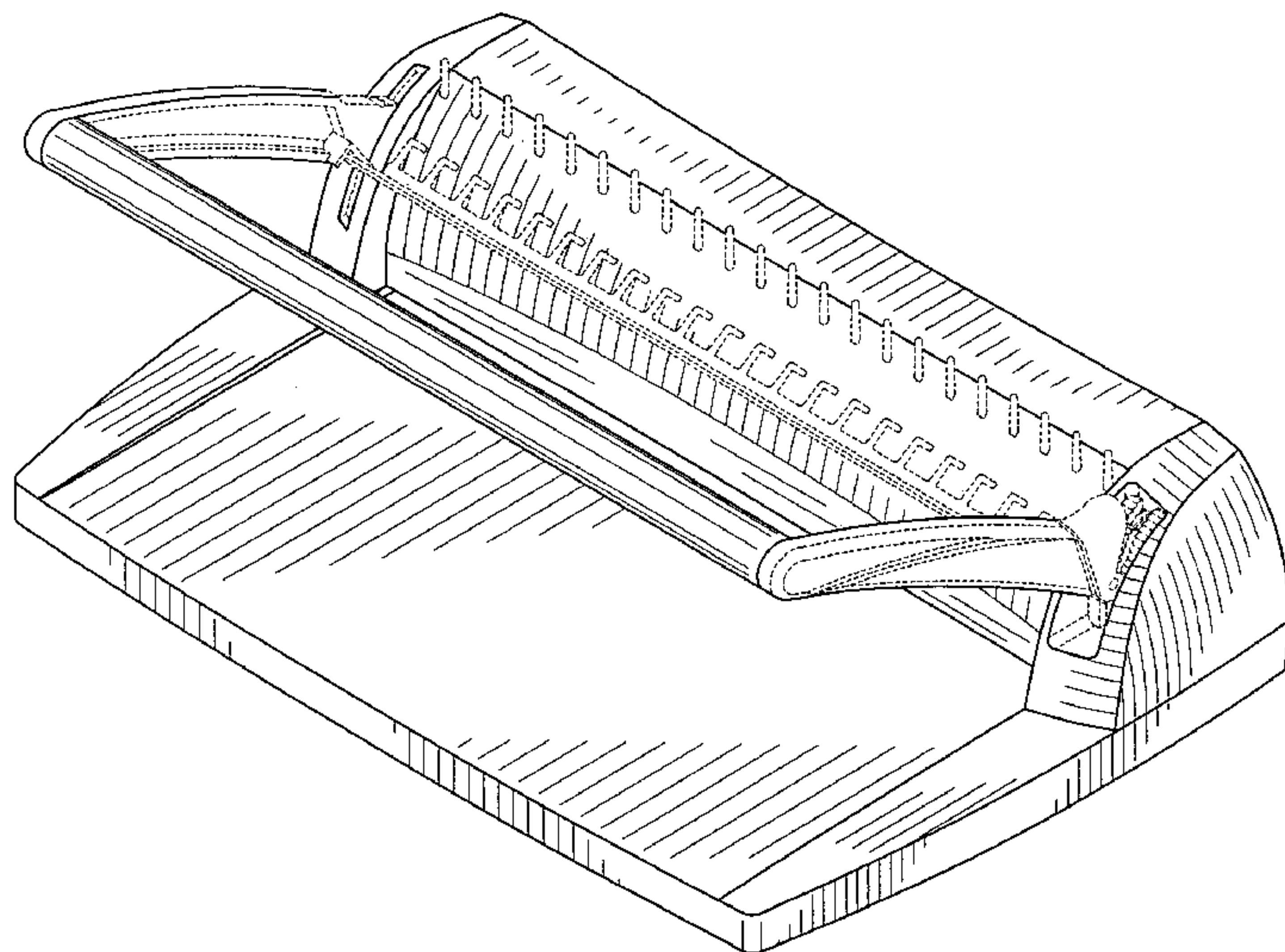
FIG. 14 is a rear elevation thereof;

FIG. 15 is a left side elevation thereof; and,

FIG. 16 is a right side elevation thereof.

The broken line showing of portions of the design in the figure drawings is included for the purpose of illustrating environment and forms no part of the claimed design.

1 Claim, 16 Drawing Sheets



US D544,525 S

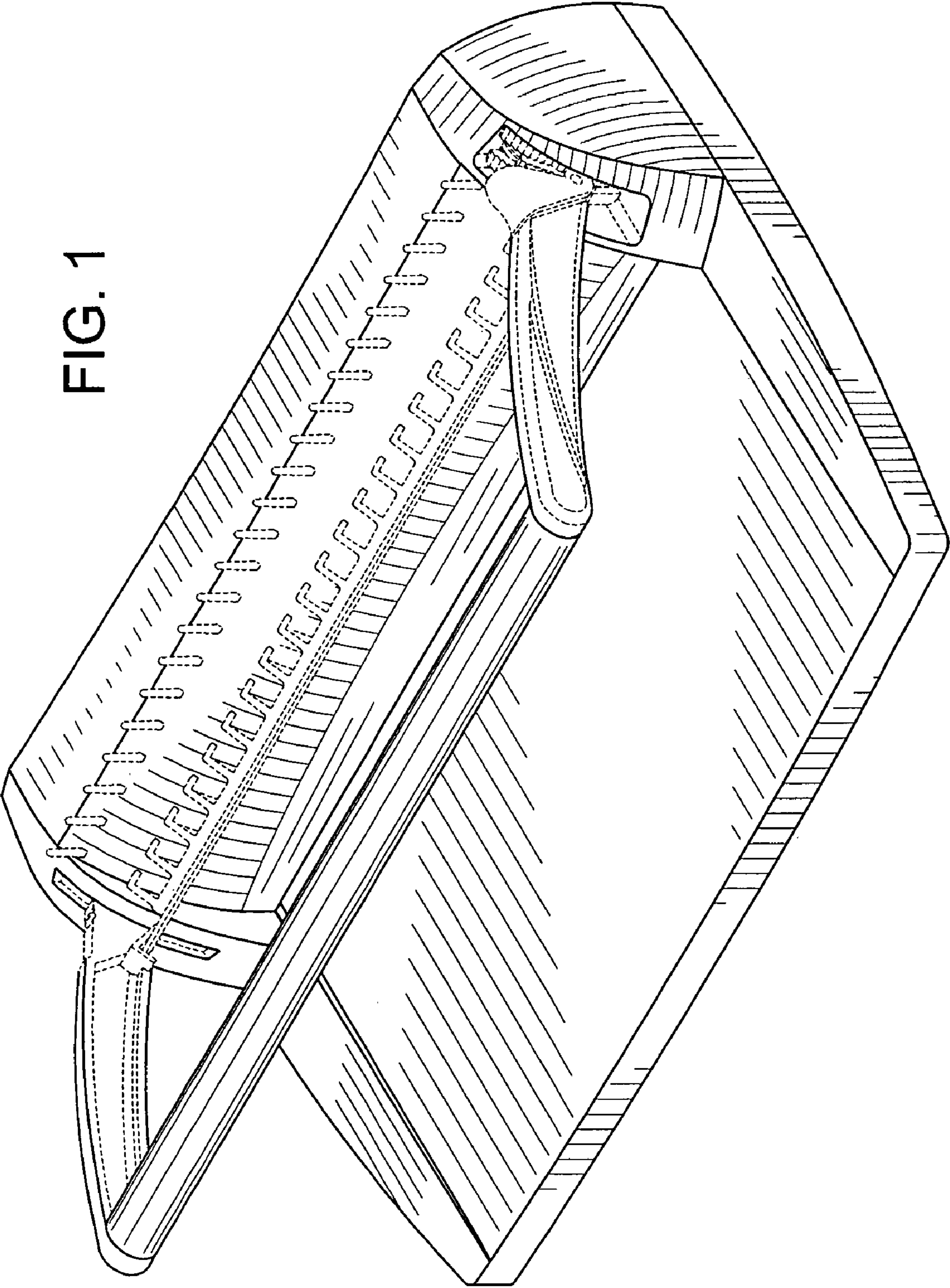
Page 2

U.S. PATENT DOCUMENTS

D296,115 S	6/1988	Scharer			
5,015,138 A *	5/1991	Crudo et al.	412/43		
D320,040 S *	9/1991	Miles et al.	D18/34.2		
D320,408 S	10/1991	Seid et al.			
5,211,522 A *	5/1993	Ho	412/40		
D358,834 S	5/1995	Cox			
D359,065 S	6/1995	Cox			
D365,580 S *	12/1995	Stiles et al.	D18/34.2		
D423,039 S	4/2000	Cox			
D437,344 S	2/2001	Reuter			
D437,345 S	2/2001	Reuter			
D482,058 S *	11/2003	Knight	D18/34.2		
D482,385 S	11/2003	Knight			
D483,798 S	12/2003	Knight			
D497,939 S	11/2004	Henderson et al.			
D504,148 S *	4/2005	Smith et al.	D18/34.2		
D507,808 S *	7/2005	Smith et al.	D18/34.2		

* cited by examiner

FIG. 1



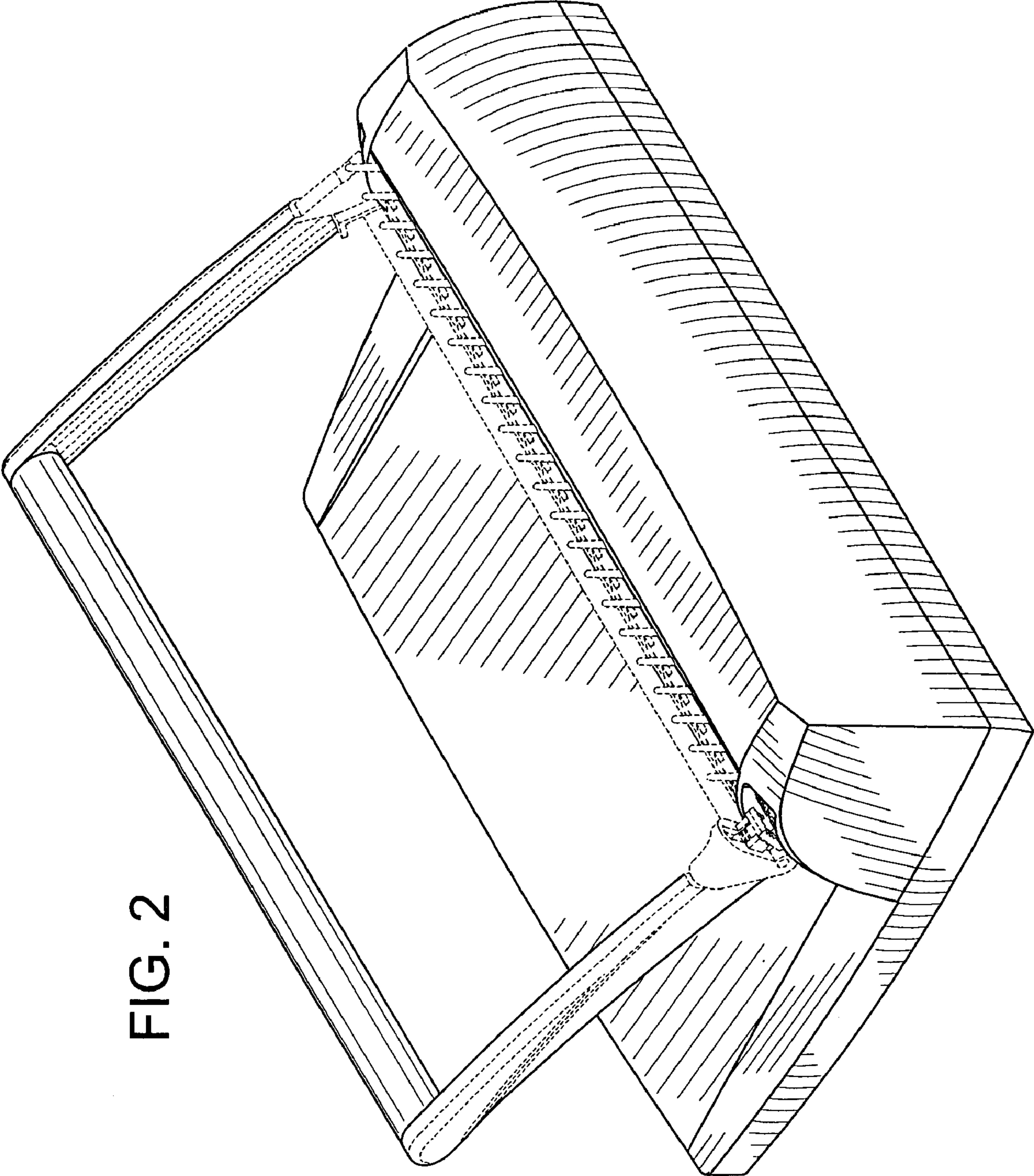


FIG. 2

FIG. 3

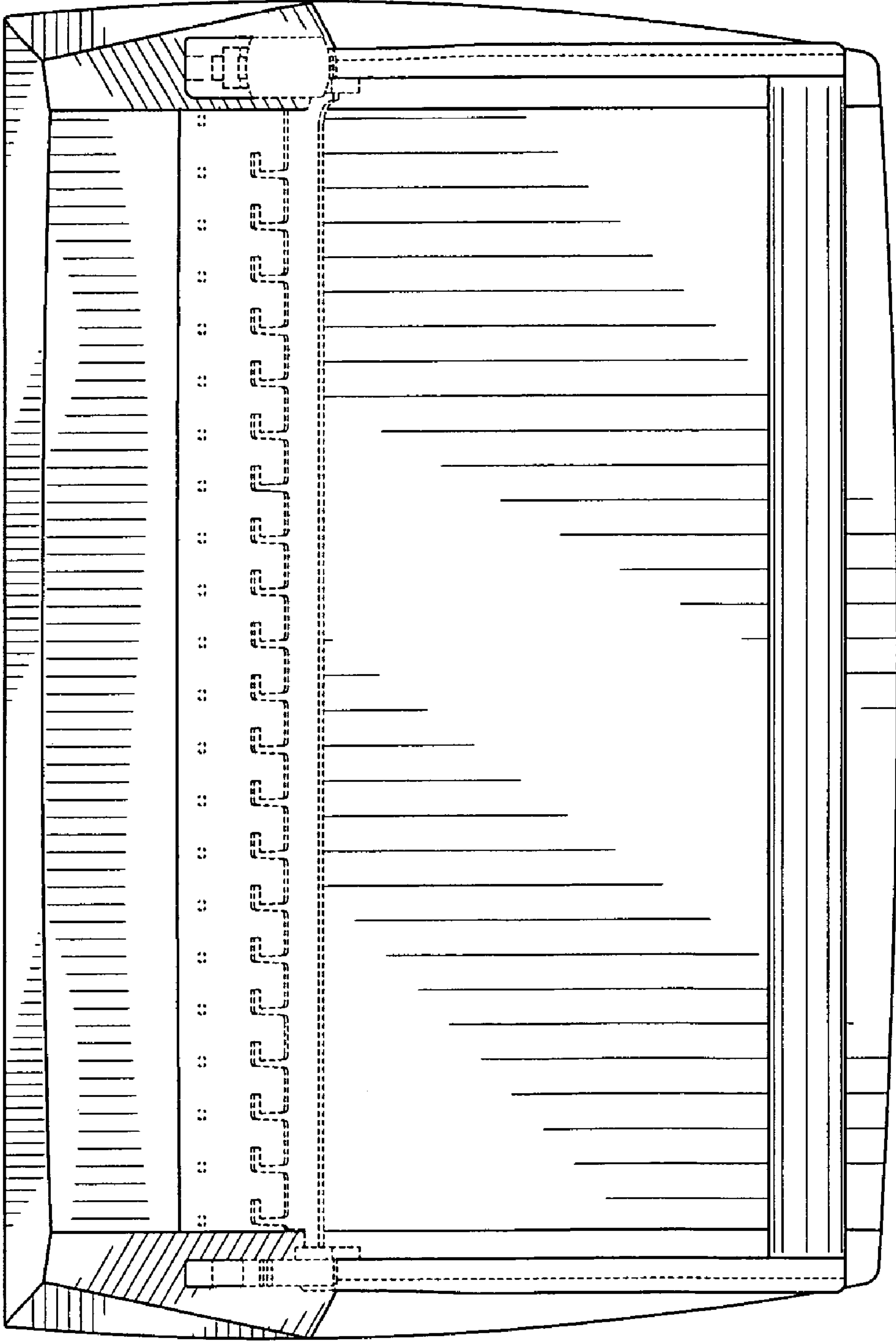


FIG. 4

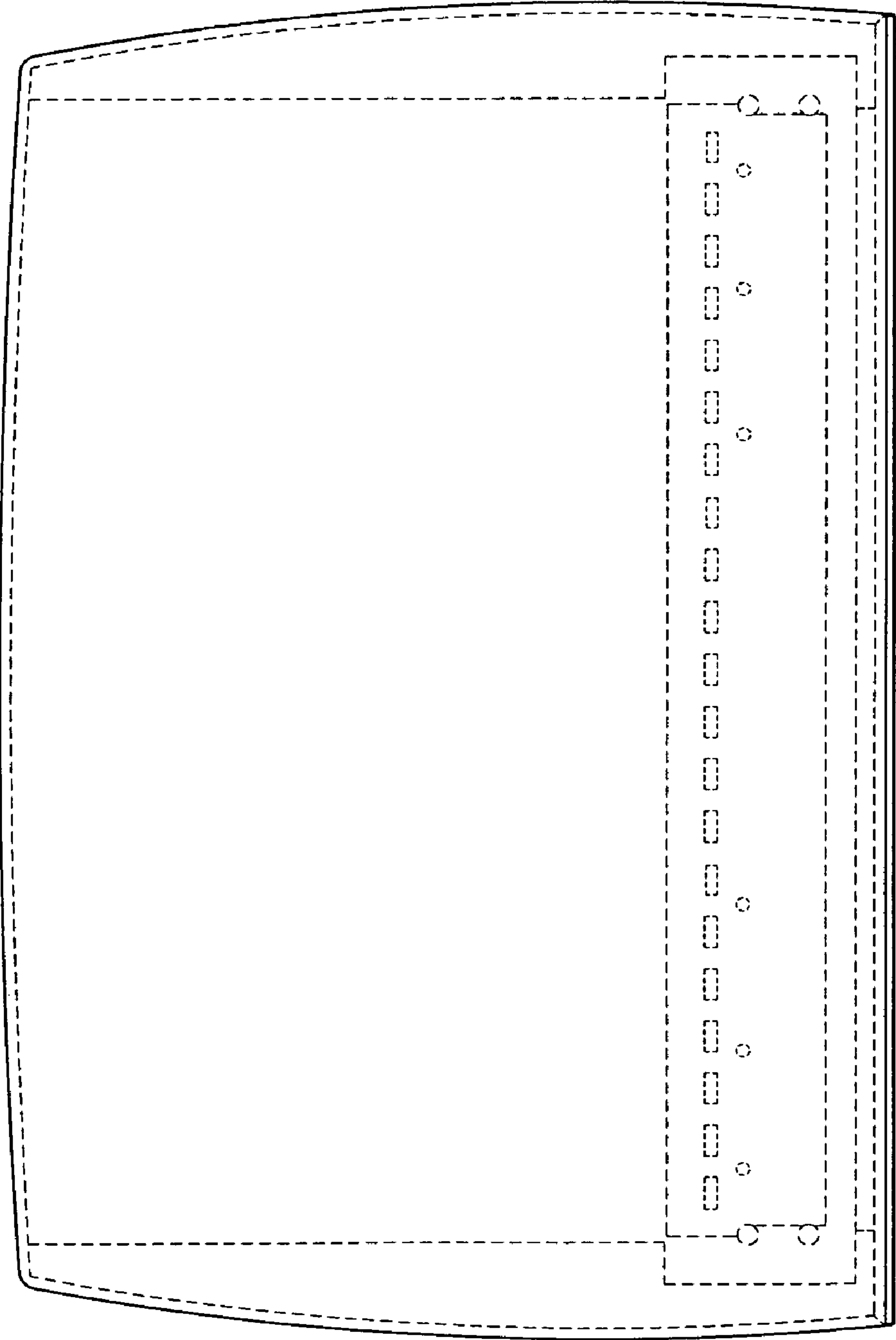


FIG. 5

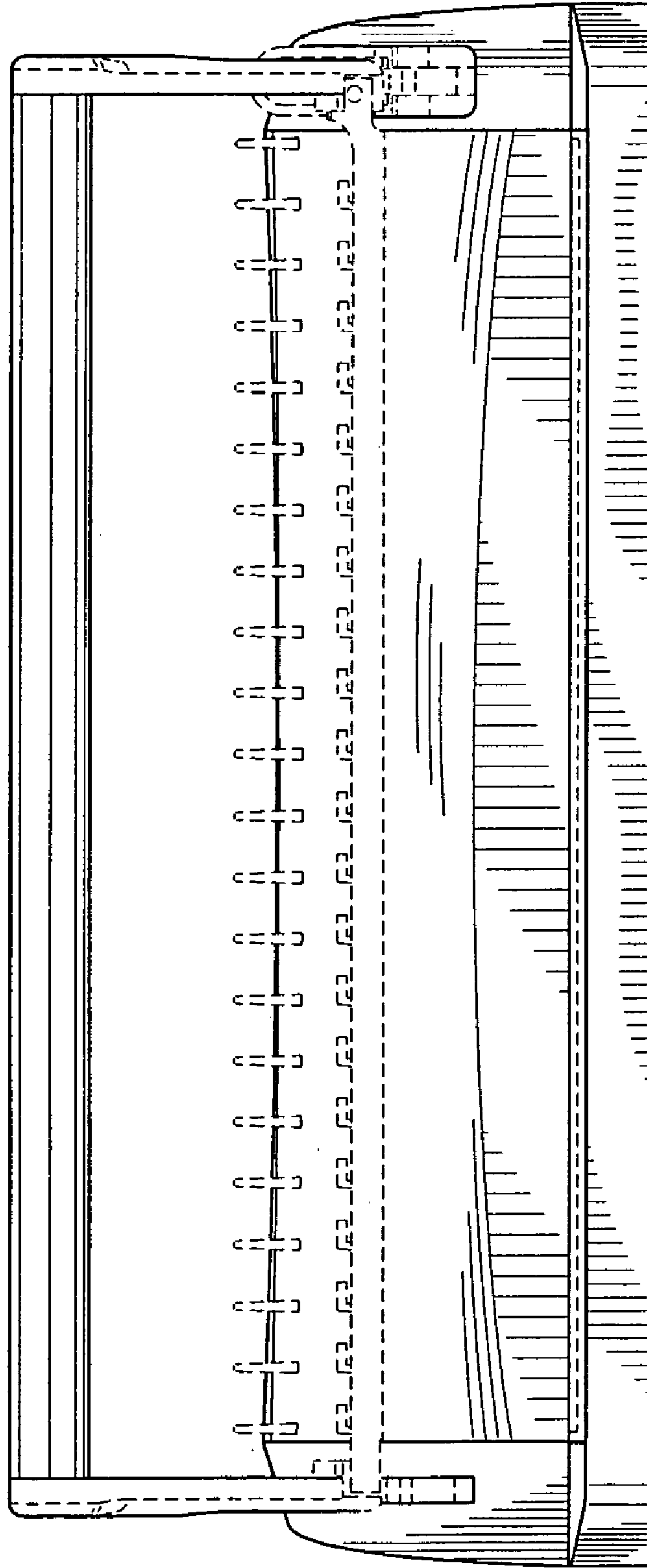


FIG. 6

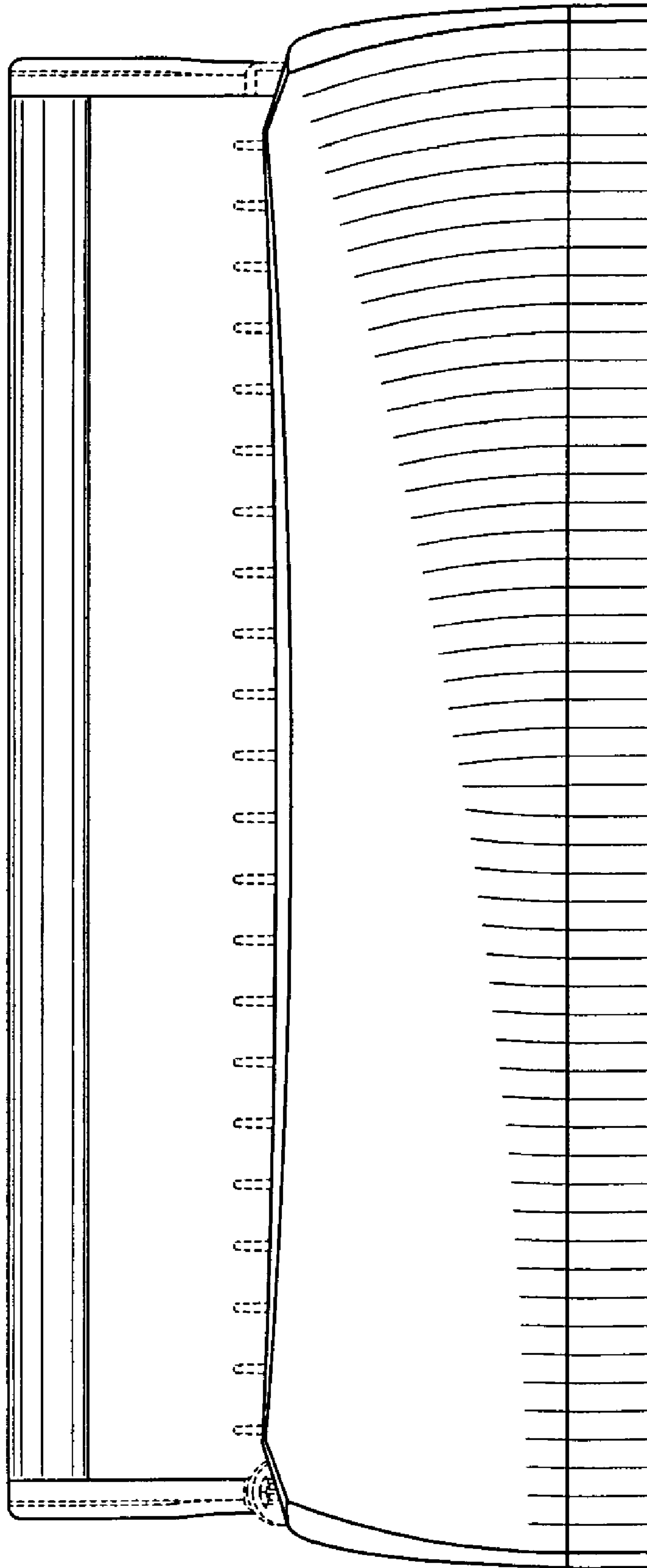
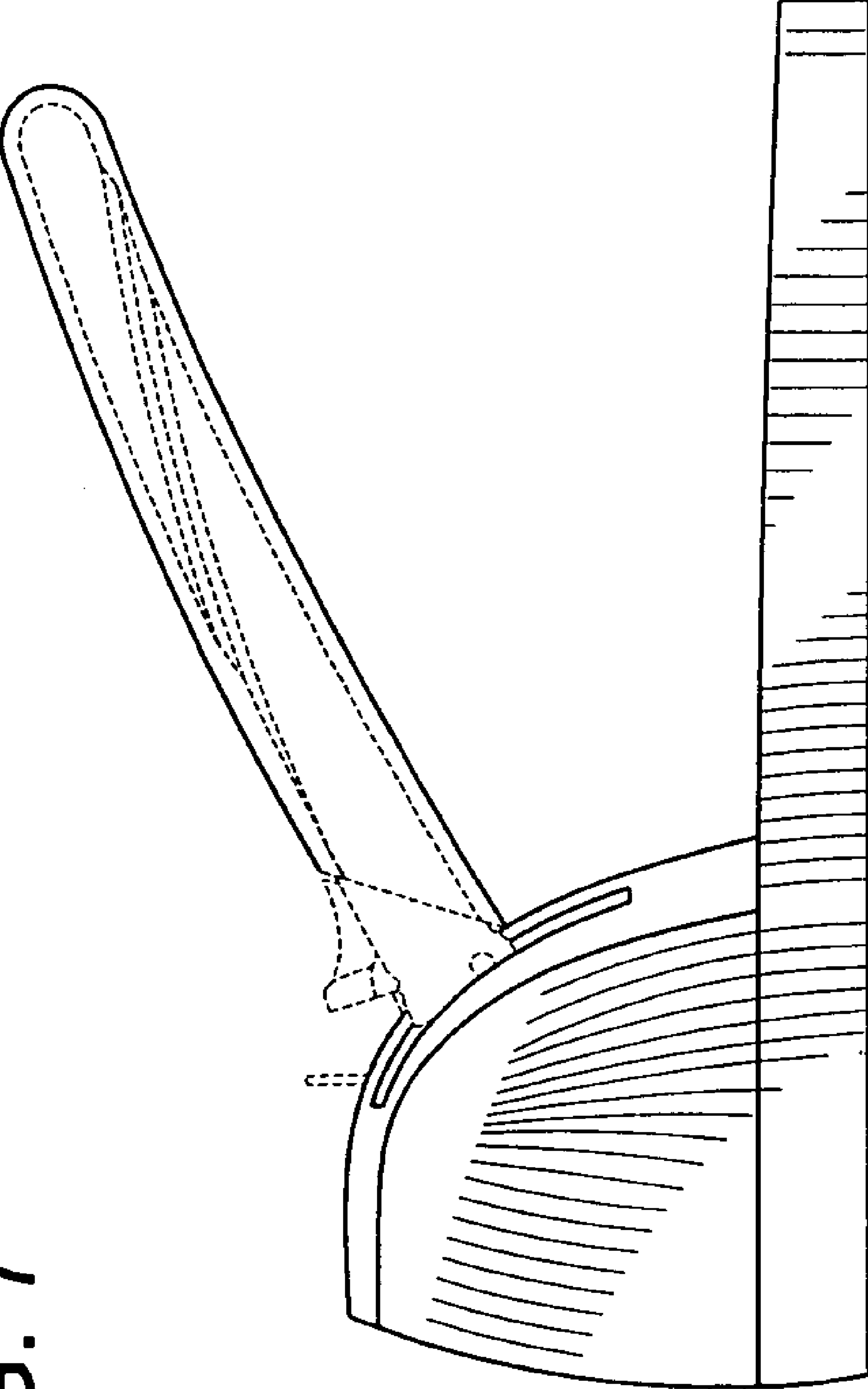


FIG. 7



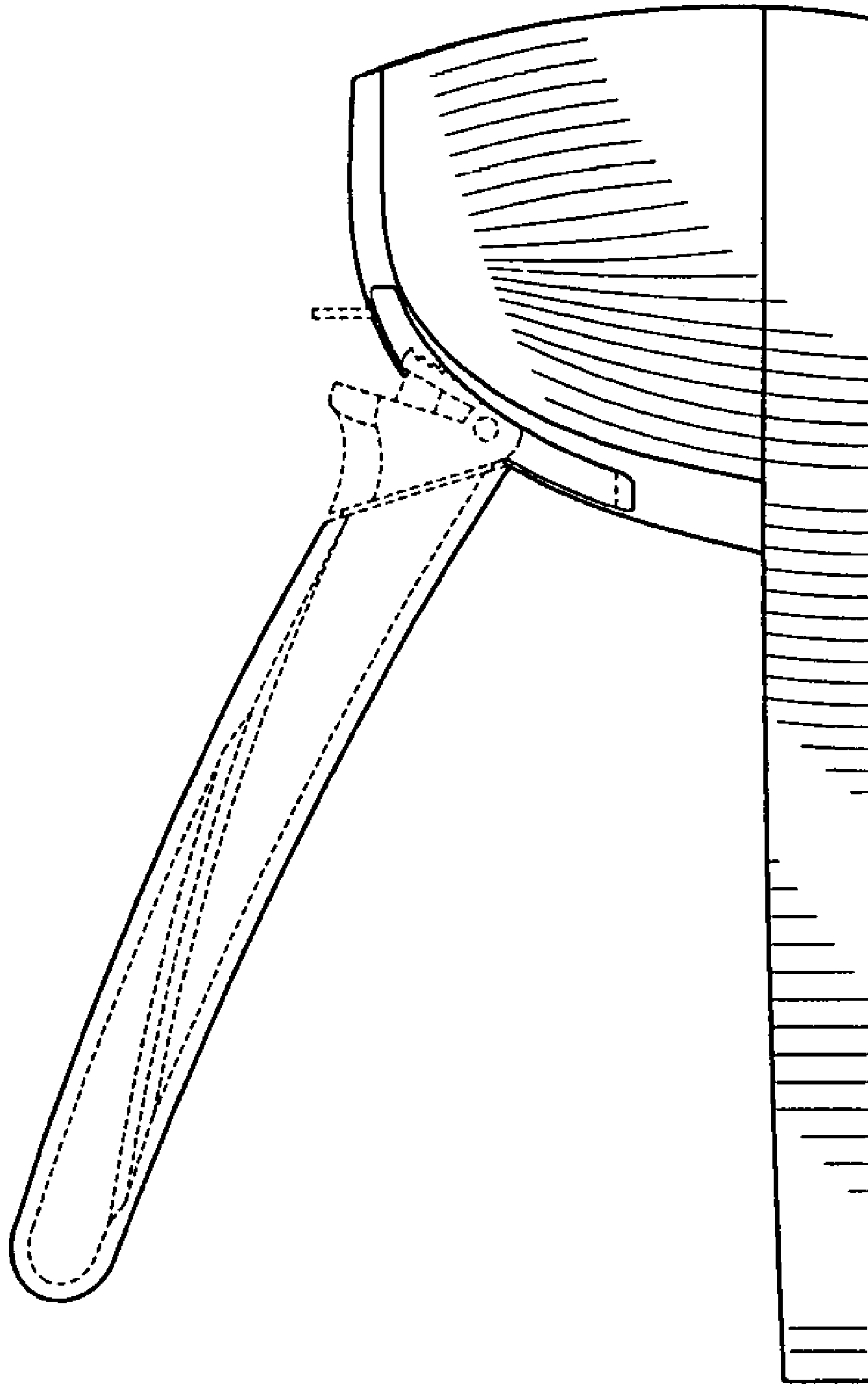
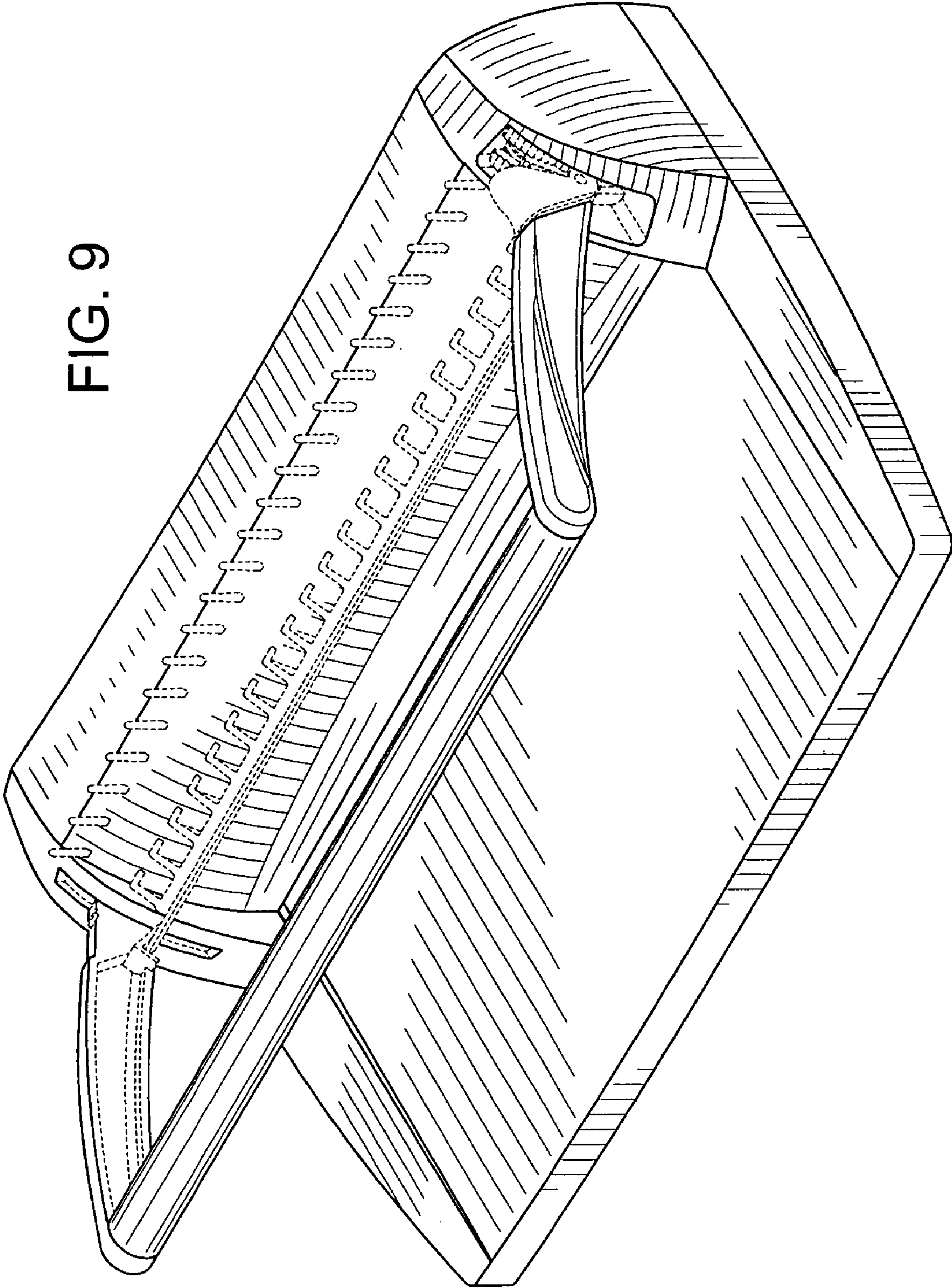


FIG. 8

FIG. 9



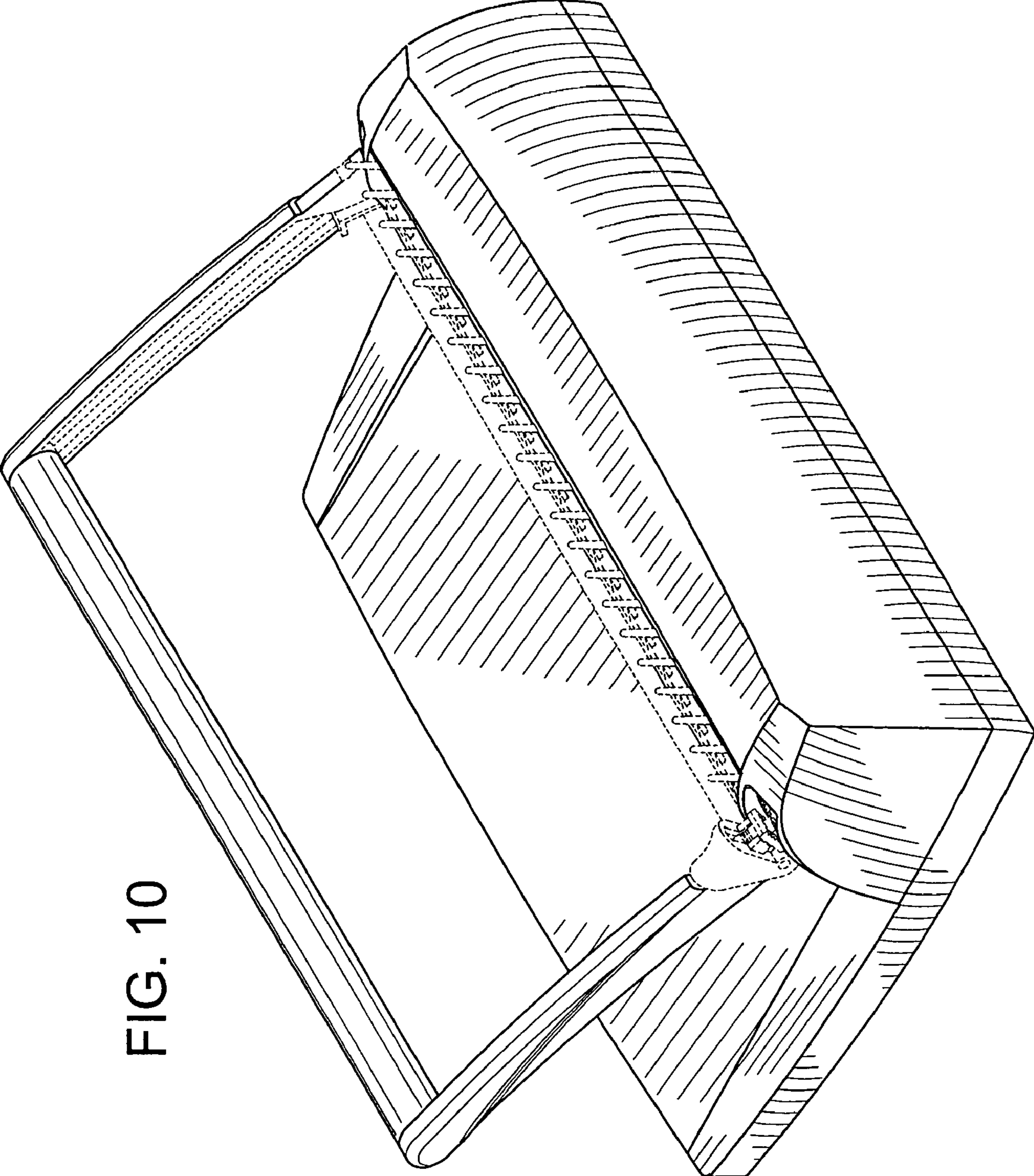


FIG. 10

FIG. 11

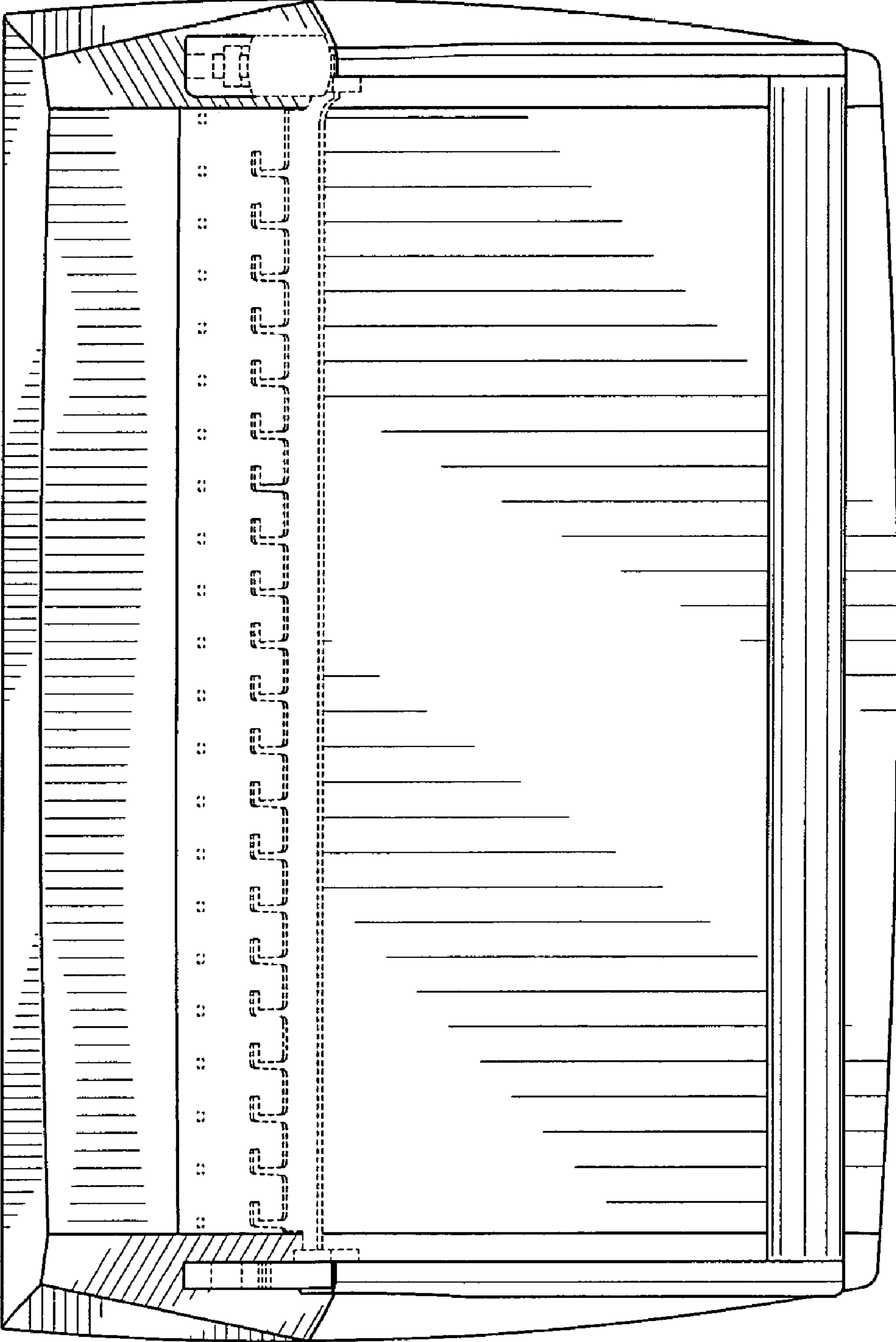


FIG. 12

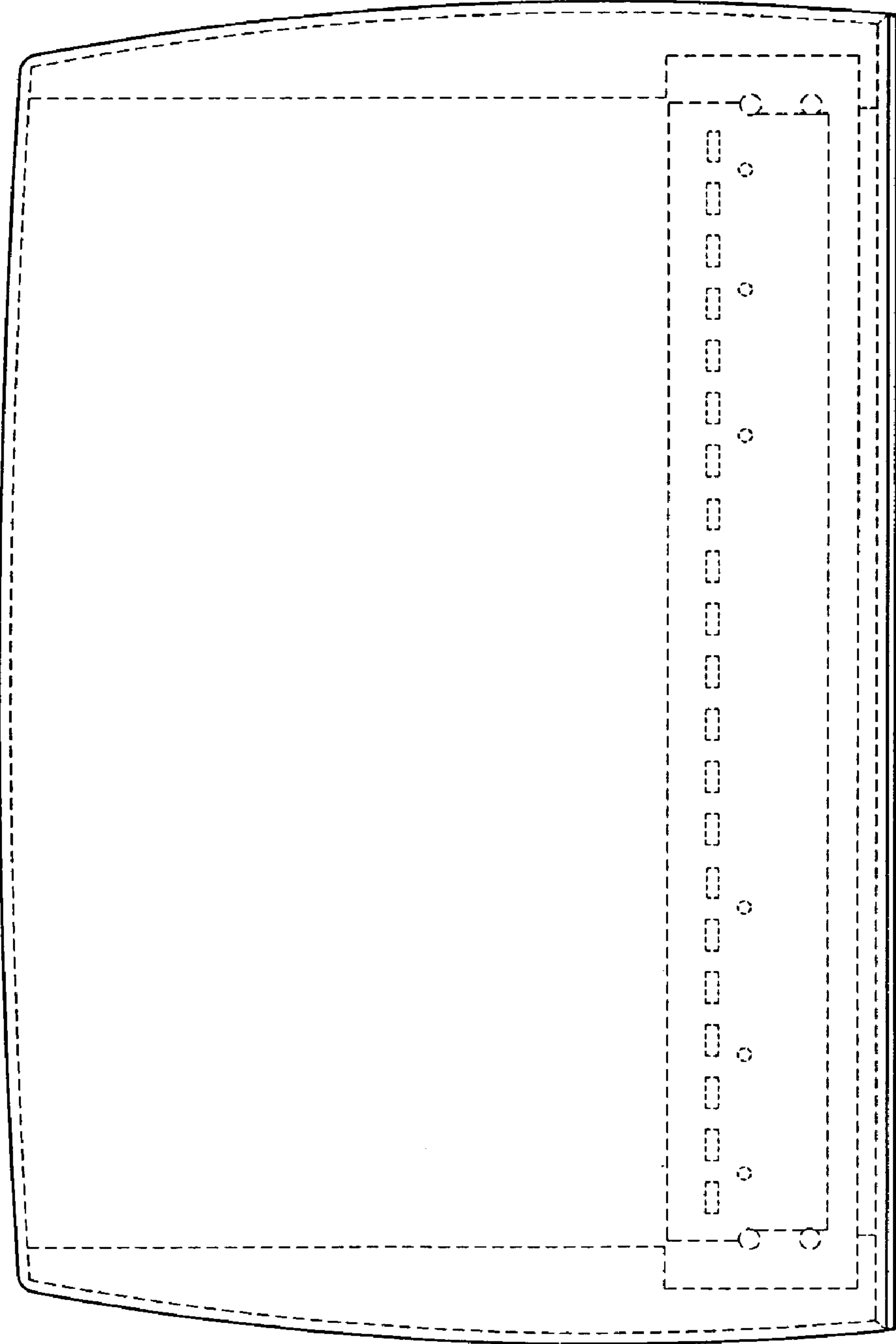


FIG. 13

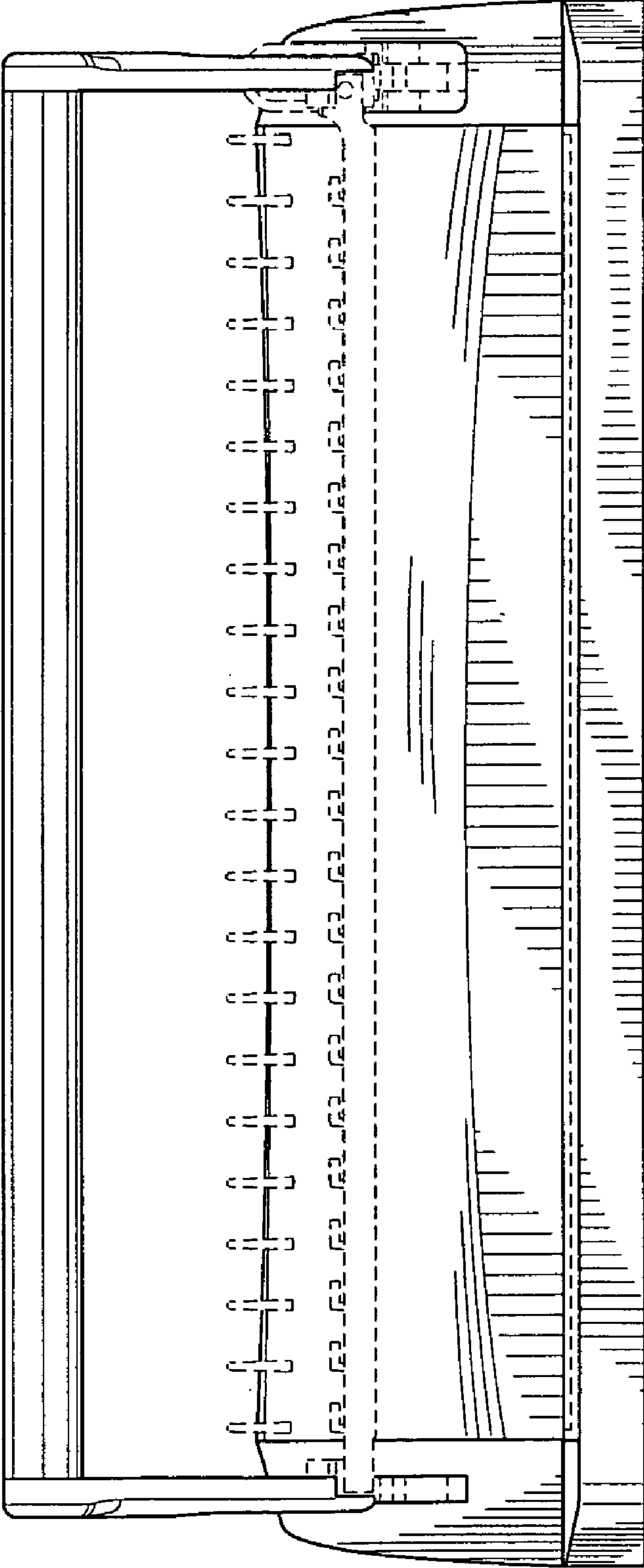


FIG. 14

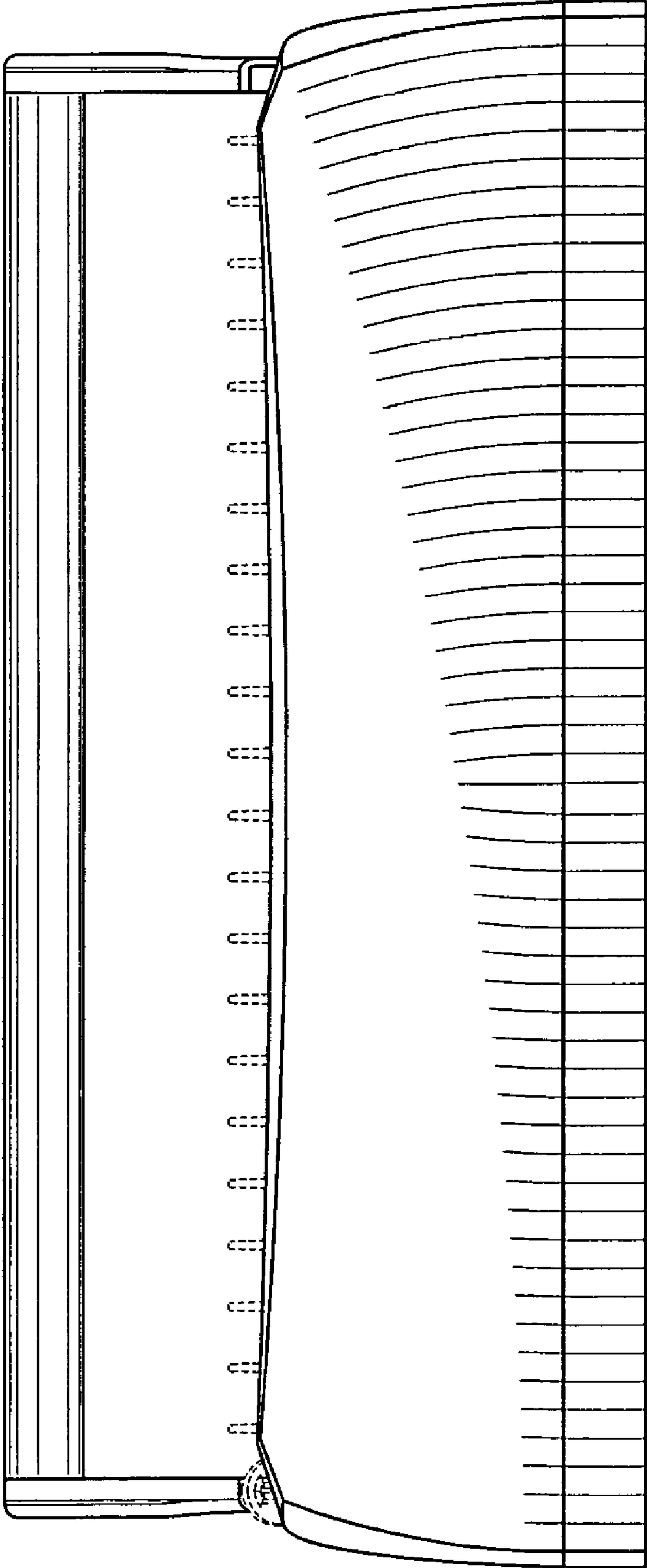
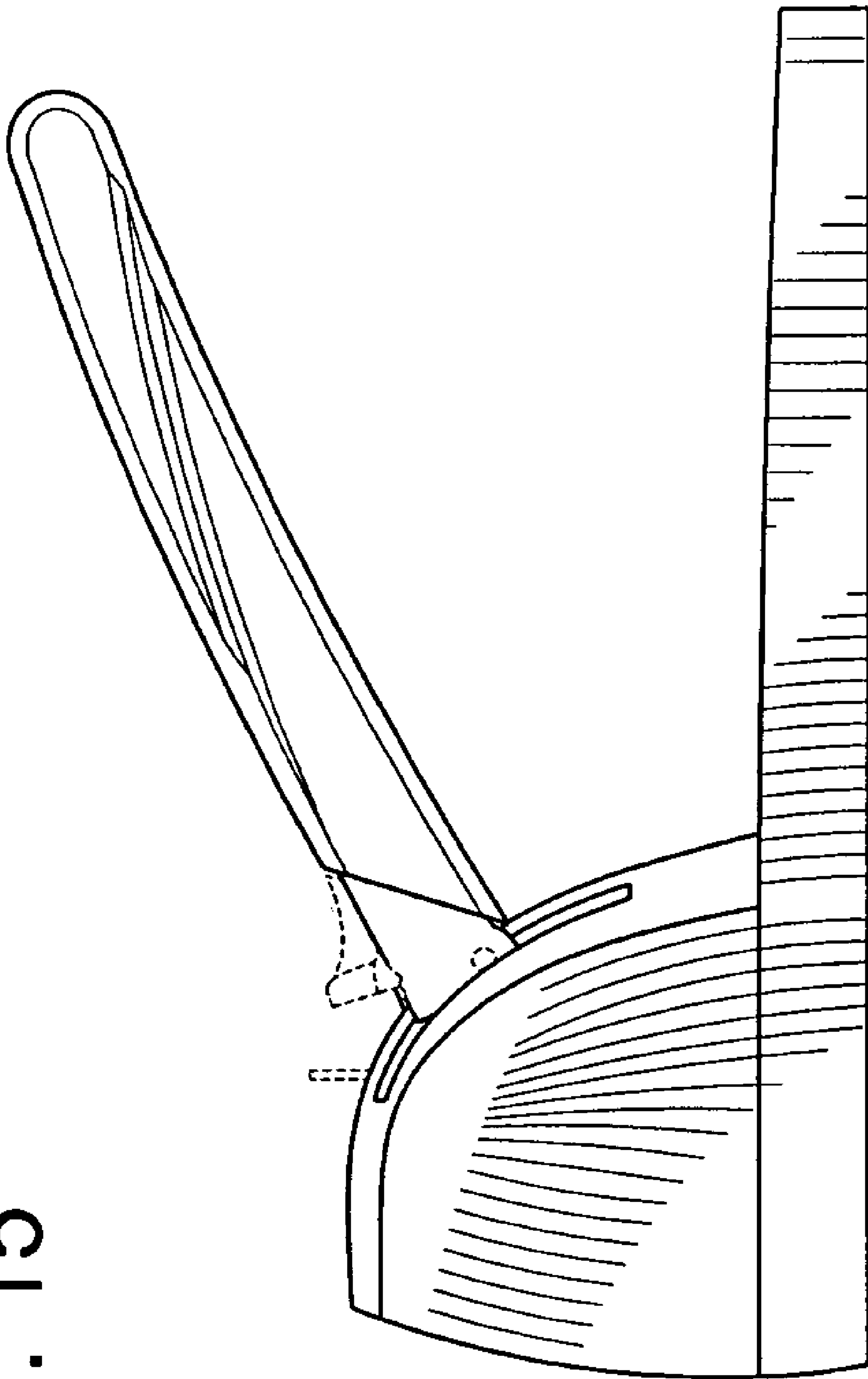


FIG. 15



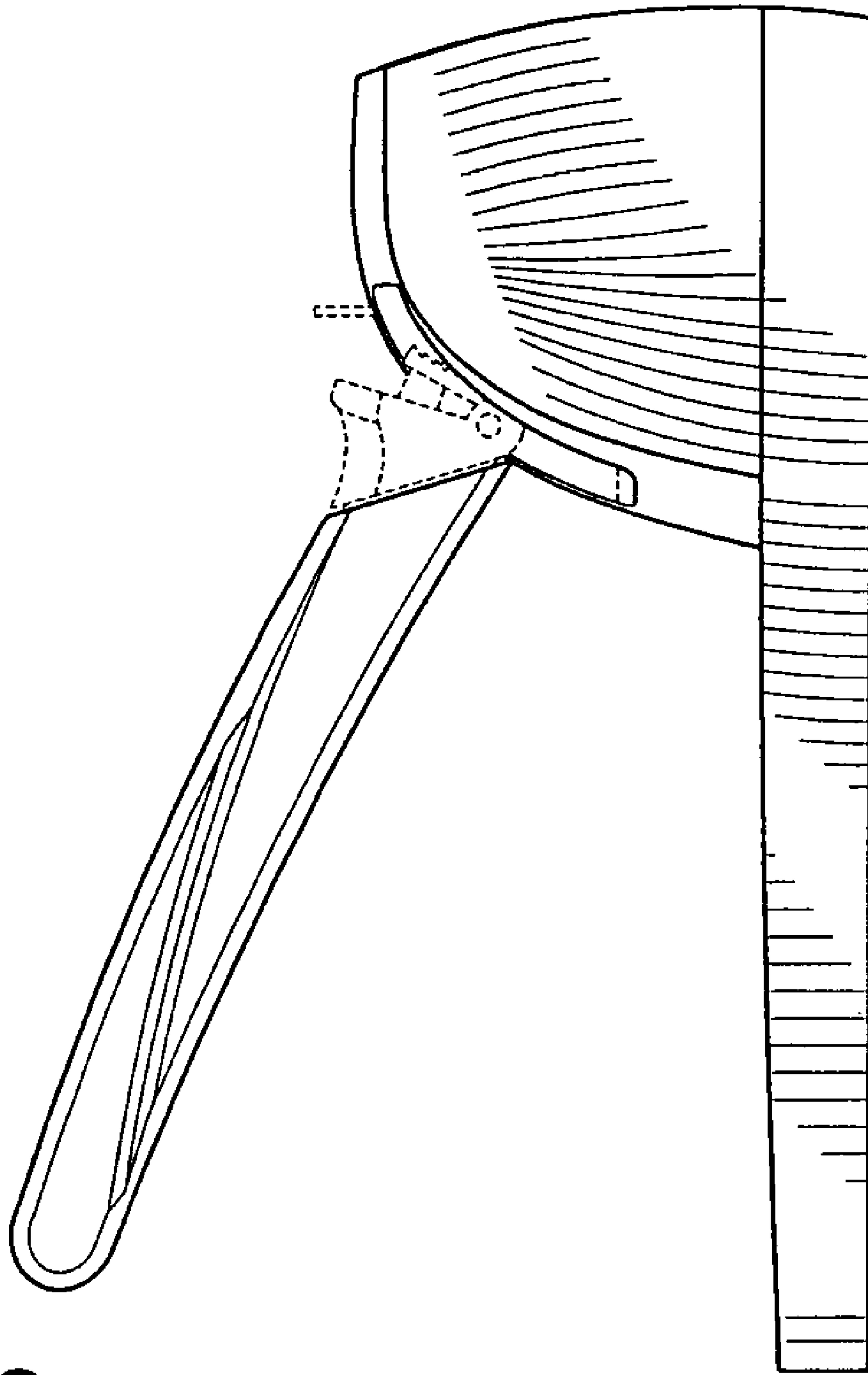


FIG. 16