



US00D544522S

(12) **United States Design Patent**
Chow

(10) **Patent No.:** **US D544,522 S**

(45) **Date of Patent:** **** Jun. 12, 2007**

(54) **POCKET CALCULATOR**

(75) Inventor: **Kenneth Chow**, Hong Kong (HK)

(73) Assignee: **King's Manufacturing Co., Ltd.**, Hong Kong (CN)

(**) Term: **14 Years**

(21) Appl. No.: **29/247,696**

(22) Filed: **Jul. 3, 2006**

(51) **LOC (8) Cl.** **18-01**

(52) **U.S. Cl.** **D18/7**

(58) **Field of Classification Search** D10/2,
D10/31, 104; D14/138, 191, 193, 197, 198,
D14/218, 341-347, 383-388, 391-396, 399;
D18/1, 2, 6, 7, 11, 12; D21/512; 235/58 R,
235/59 A, 59 BC-59 BG, 59 CP, 59 R, 59 TP,
235/60.22, 61 R; 708/100, 105, 130
See application file for complete search history.

(56) **References Cited**

U.S. PATENT DOCUMENTS

D303,137 S *	8/1989	Brown	D14/138
D326,452 S *	5/1992	Roegner	D14/138
D401,268 S *	11/1998	Carels	D18/7
D405,462 S *	2/1999	Coe	D18/6
D430,128 S *	8/2000	Hino et al.	D14/138
D445,409 S *	7/2001	Segers	D14/138
D455,137 S *	4/2002	Wang	D14/138
D464,990 S *	10/2002	Bodum	D18/7
D497,618 S *	10/2004	Andre et al.	D14/496
D504,429 S *	4/2005	Muto	D14/385
D516,576 S *	3/2006	Ive et al.	D14/496
D521,500 S *	5/2006	Sass	D14/218

D533,213 S * 12/2006 Oas D18/7

* cited by examiner

Primary Examiner—Robert M. Spear

Assistant Examiner—Garth Rademaker

(74) *Attorney, Agent, or Firm*—Squire, Sanders & Dempsey; Aaron Wininger

(57) **CLAIM**

The ornamental design for a pocket calculator, as shown and described.

DESCRIPTION

FIG. 1 is a bottom view of a pocket calculator in a closed position incorporating my design;

FIG. 2 is a top view thereof;

FIG. 3 is a right side view thereof;

FIG. 4 is a front view thereof;

FIG. 5 is a left side view thereof;

FIG. 6 is a back view thereof;

FIG. 7 is a bottom view thereof, shown in an open position;

FIG. 8 is a top view thereof;

FIG. 9 is a right side view thereof;

FIG. 10 is a front view thereof;

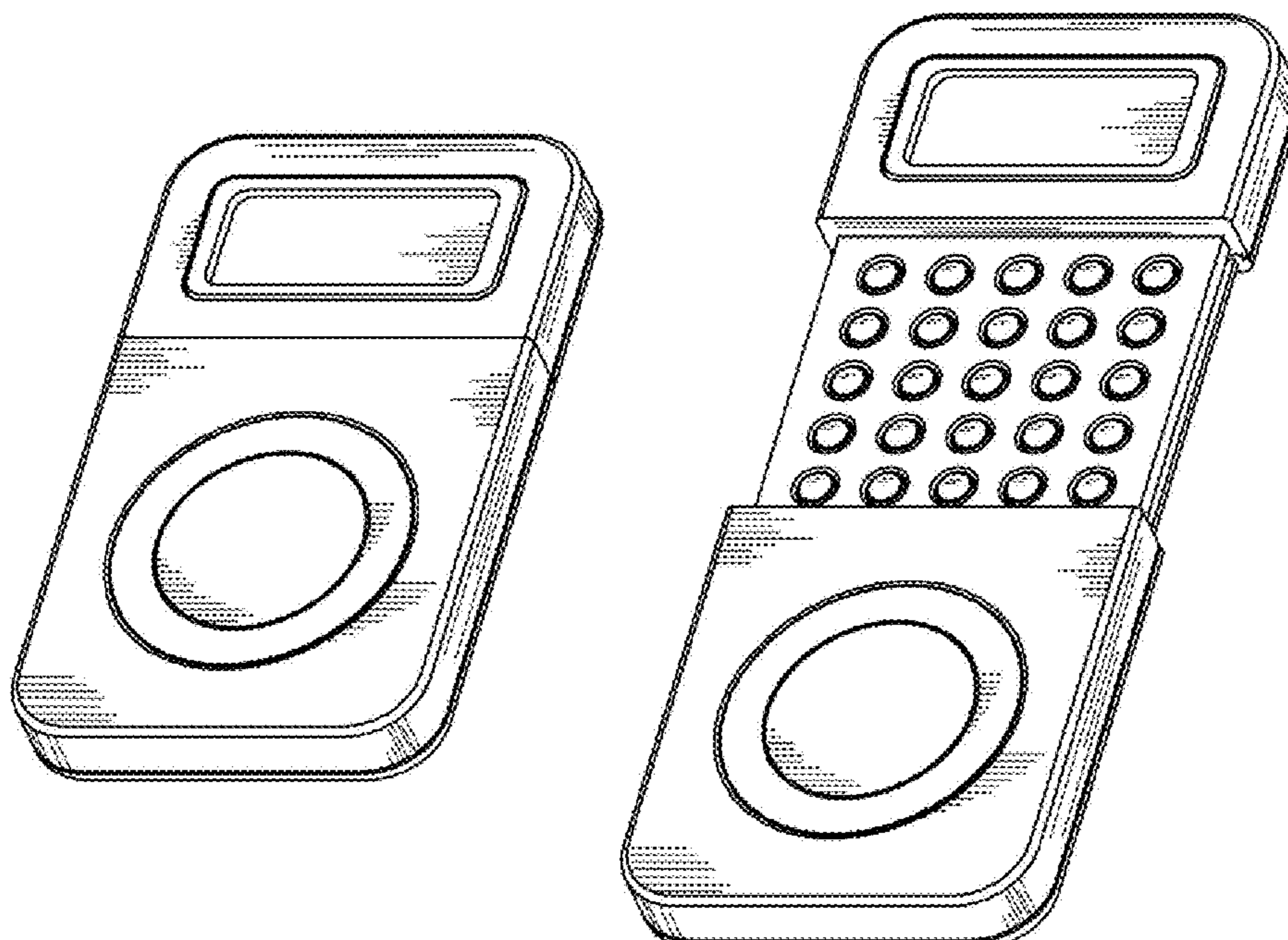
FIG. 11 is a left side view thereof;

FIG. 12 is a back view thereof;

FIG. 13 is a perspective view thereof, shown in a closed position; and,

FIG. 14 is a perspective view thereof, shown in an open position.

1 Claim, 3 Drawing Sheets



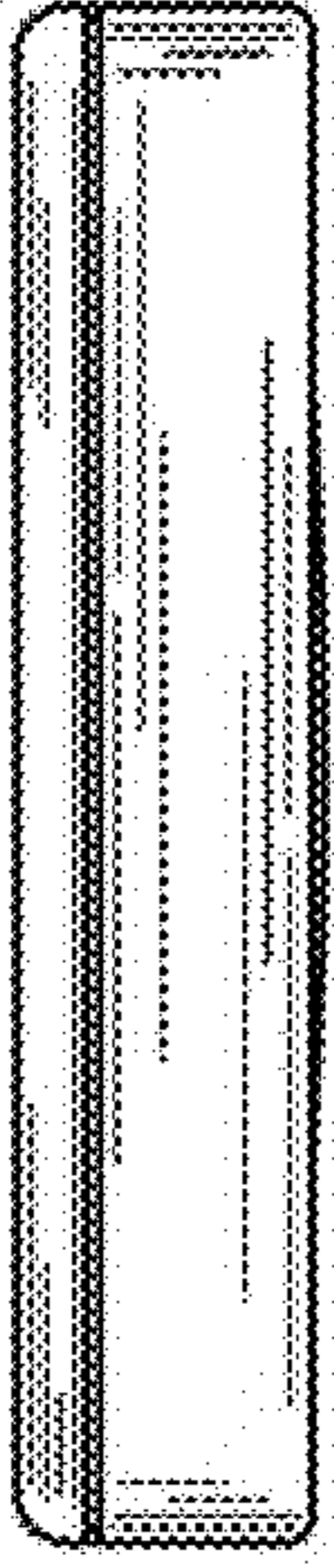


FIG. 1

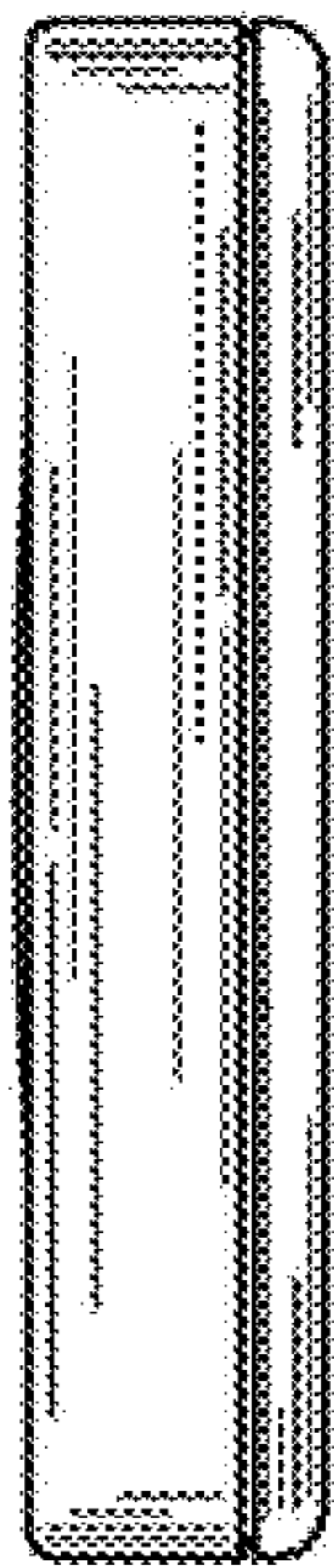


FIG. 2



FIG. 3



FIG. 4

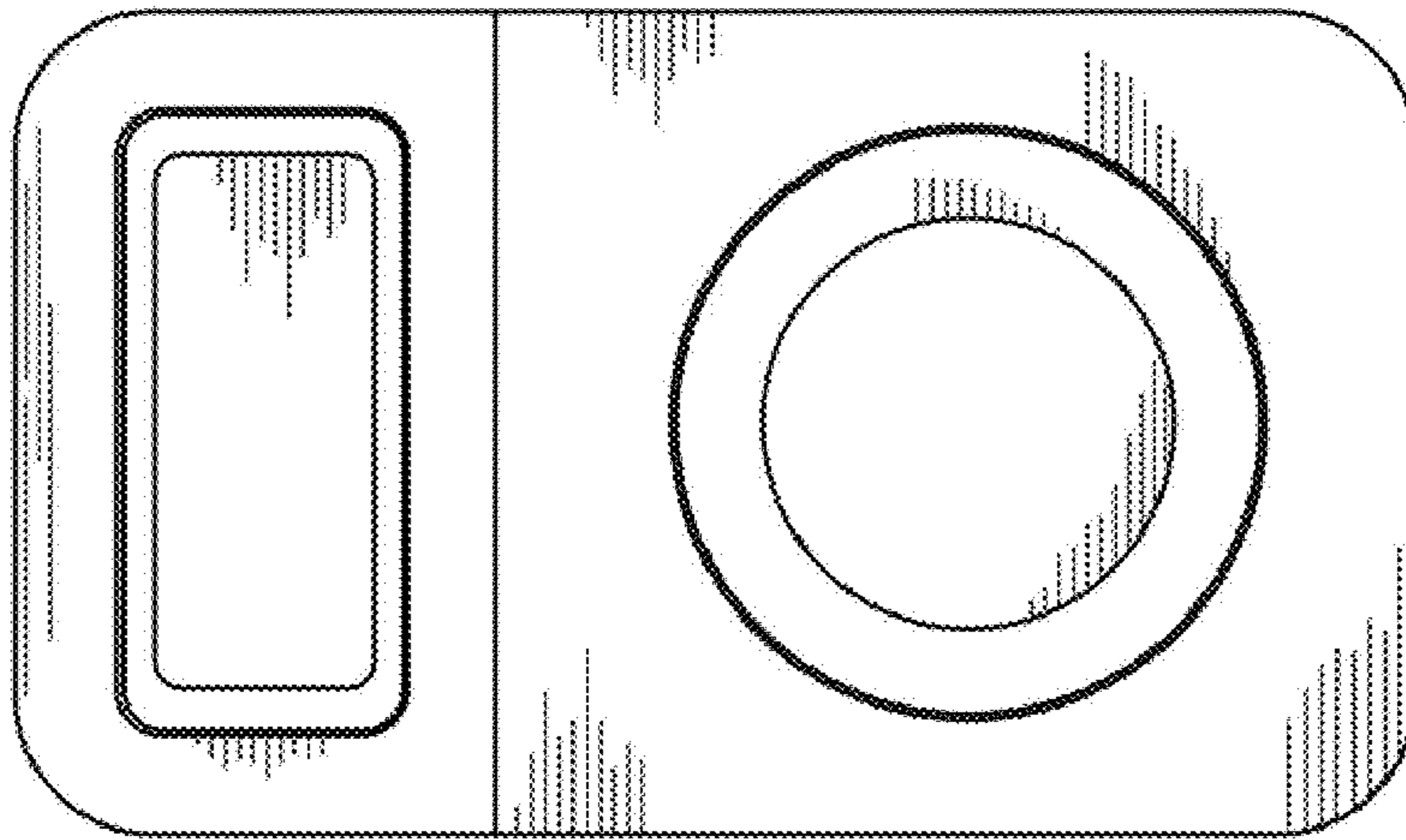


FIG. 5

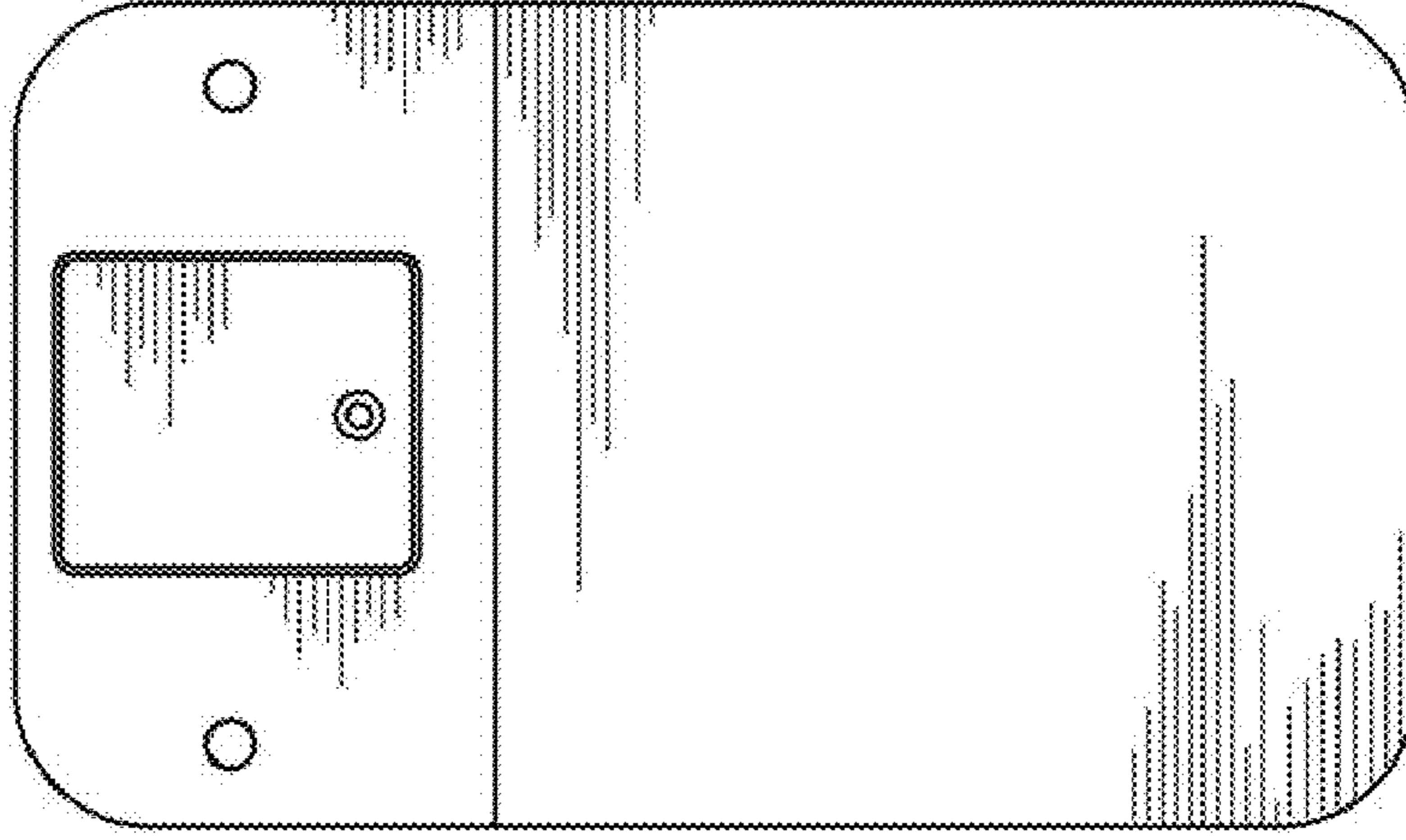


FIG. 6



FIG. 7

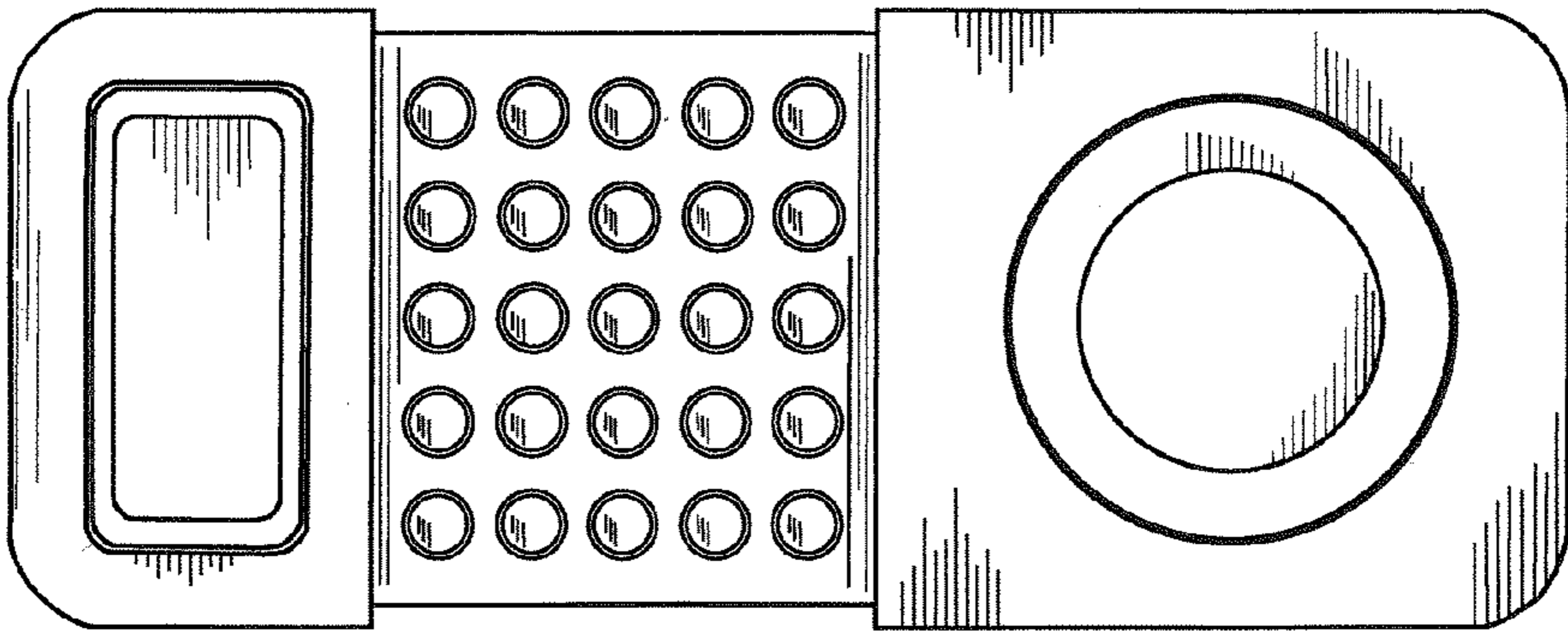


FIG. 9



FIG. 8

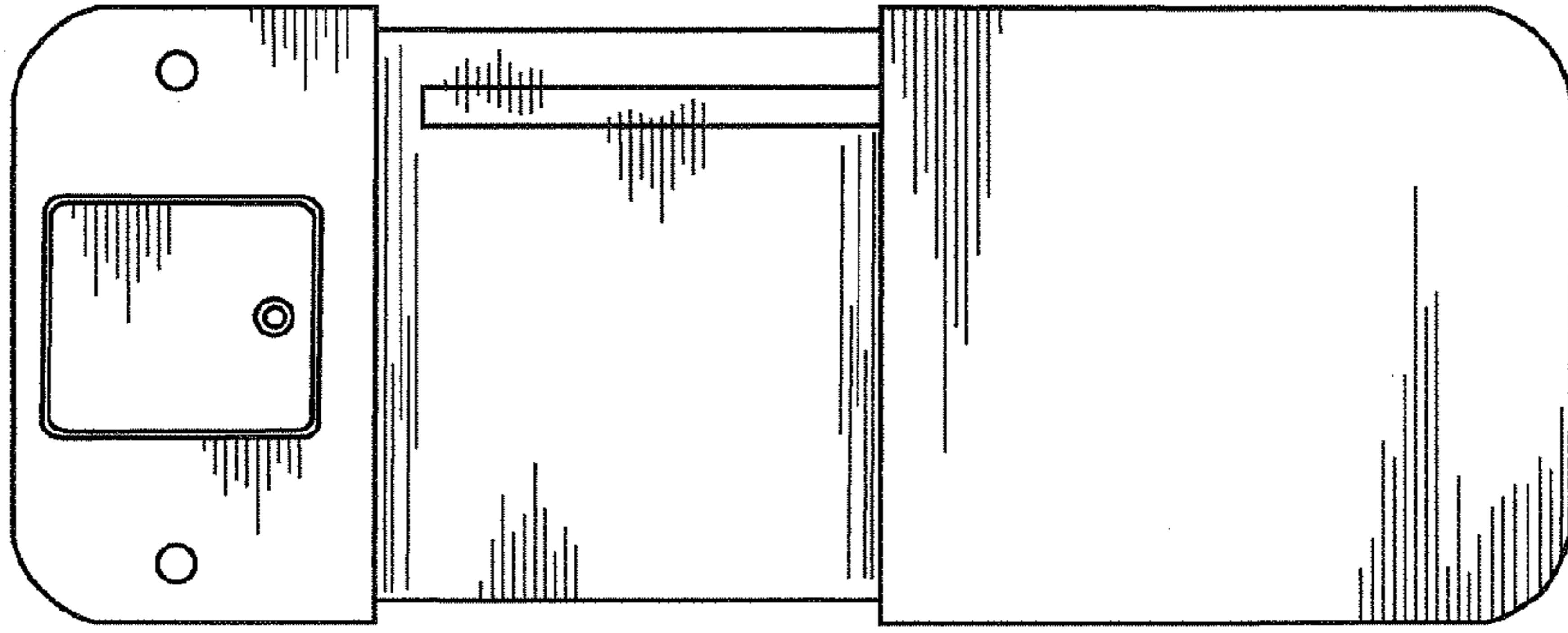


FIG. 10

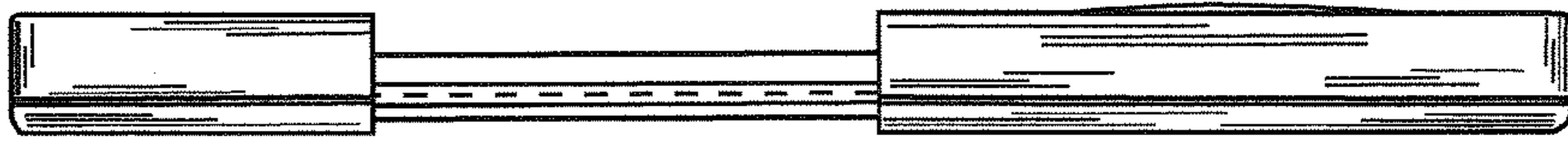


FIG. 11

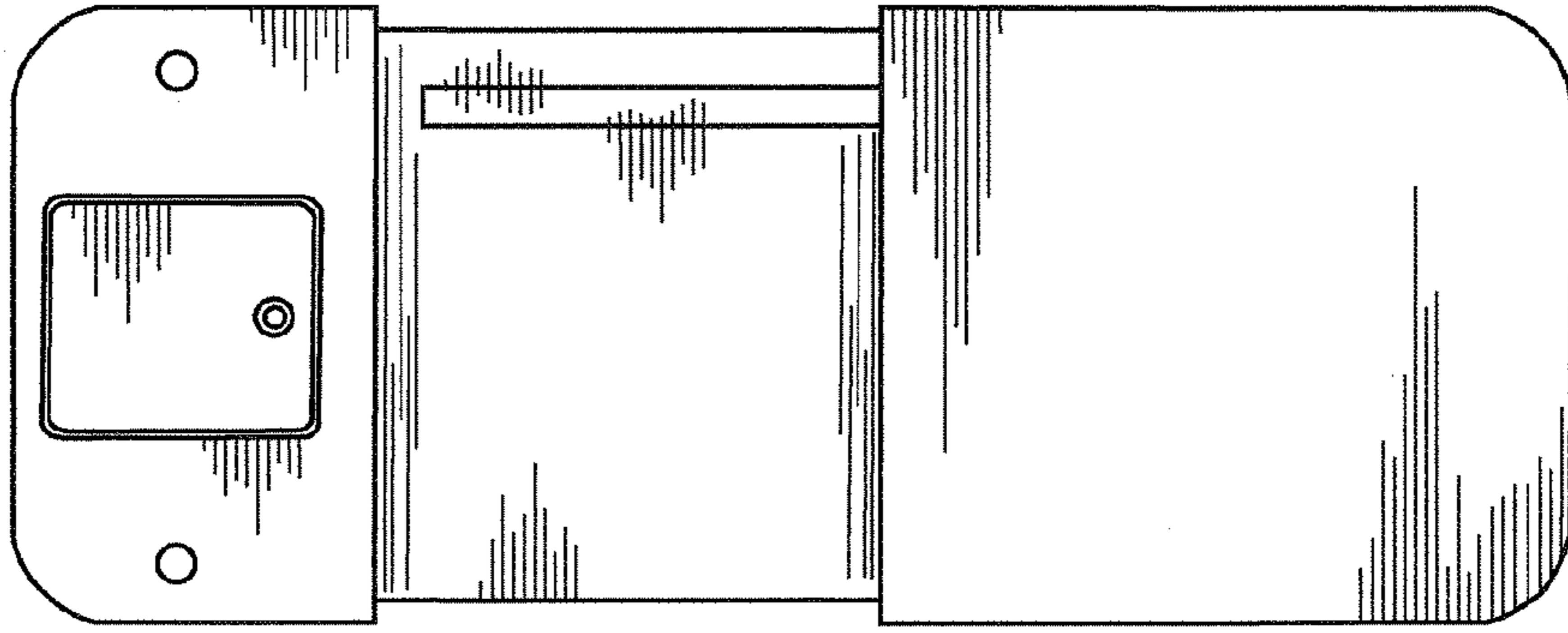


FIG. 12

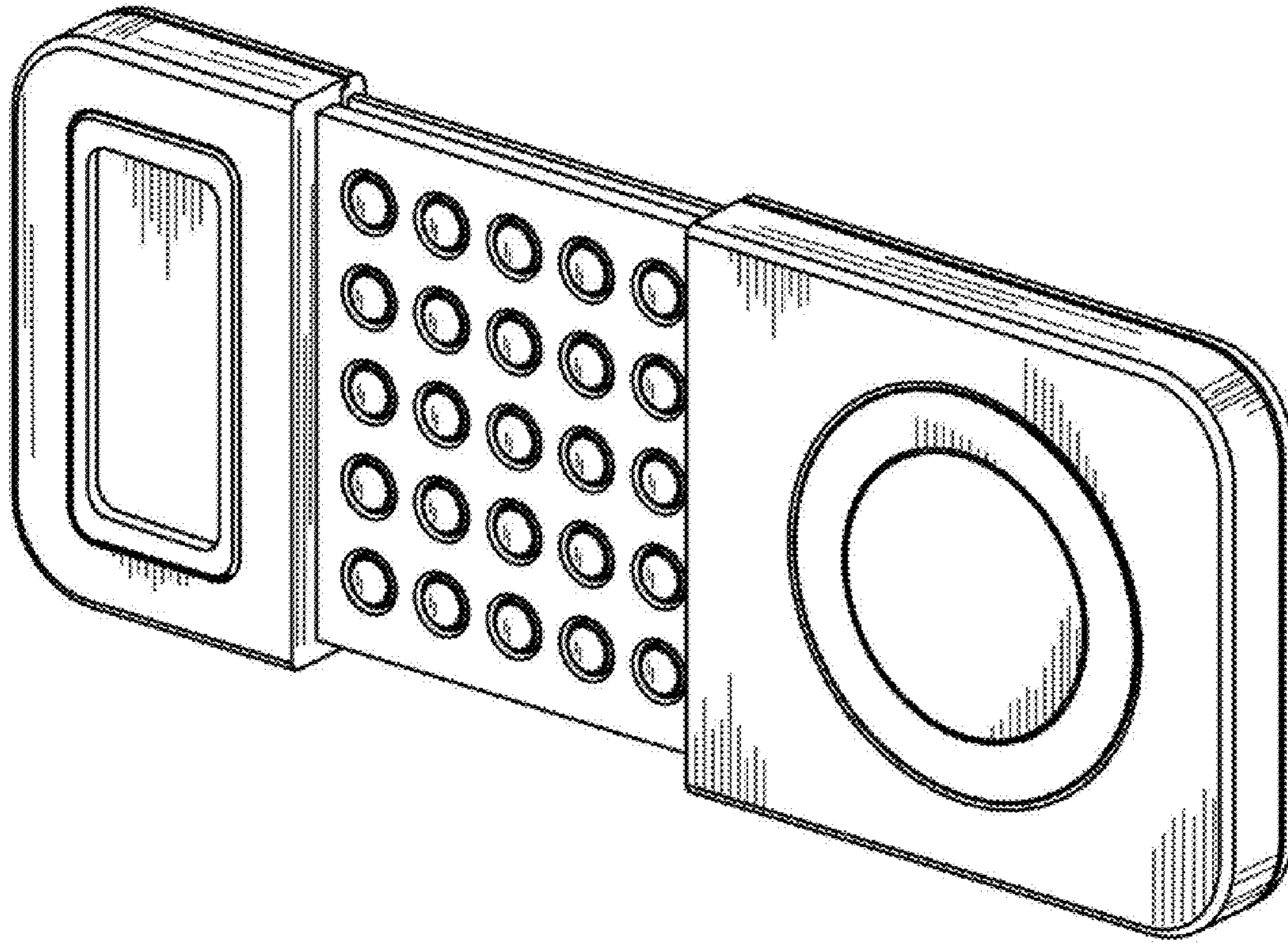


FIG. 14

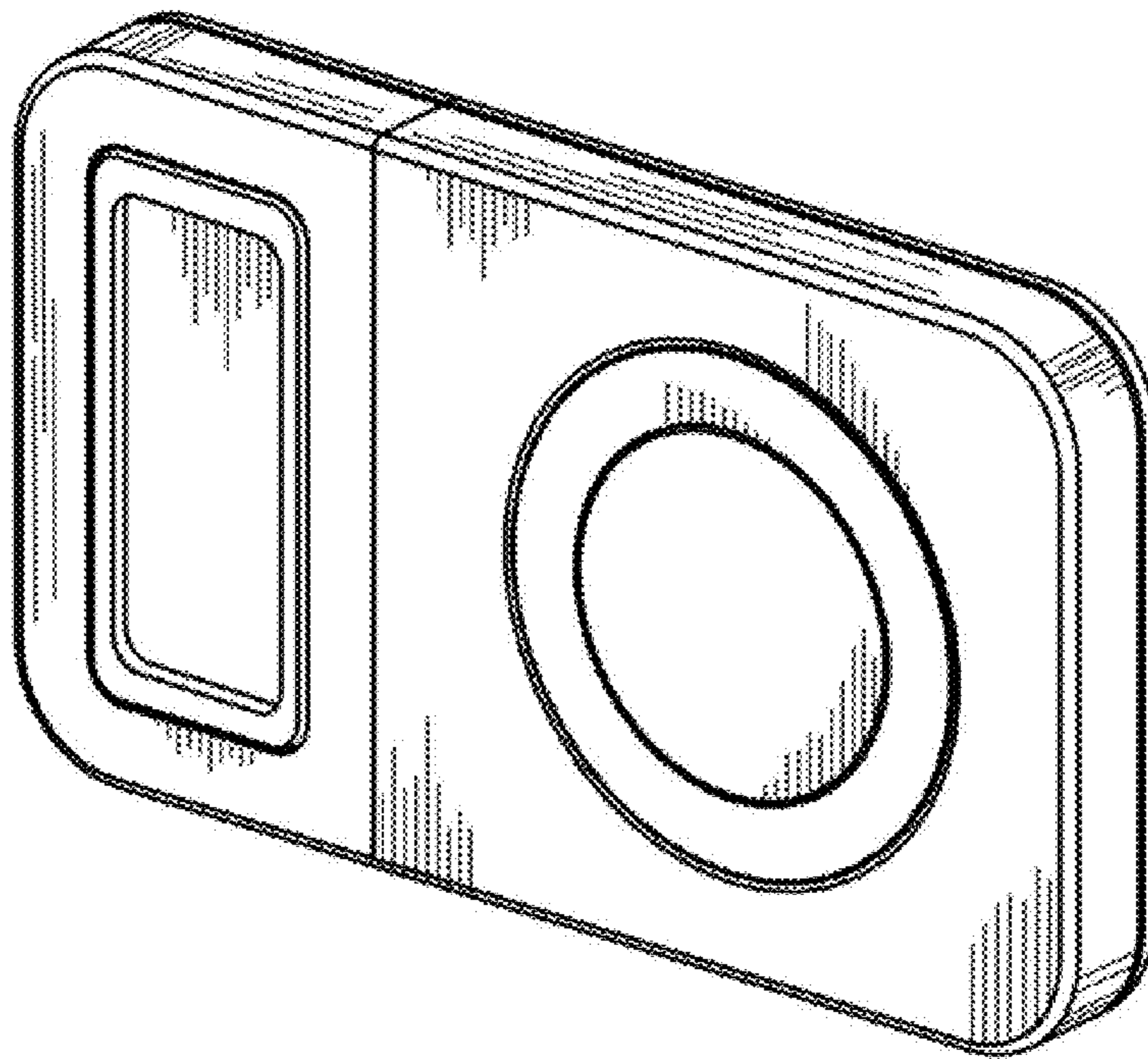


FIG. 13