



US00D544516S

(12) **United States Design Patent**  
**Yamada et al.**

(10) **Patent No.:** **US D544,516 S**

(45) **Date of Patent:** **\*\* Jun. 12, 2007**

(54) **PROJECTOR**

(75) Inventors: **Takahisa Yamada**, Tokyo (JP);  
**Shigenori Sakai**, Tokyo (JP); **Tsunao**  
**Nagasaki**, Tokyo (JP); **Naoto**  
**Fukasawa**, Tokyo (JP)

(73) Assignee: **NEC Viewtechnology, Ltd.**, Tokyo (JP)

(\*\*) Term: **14 Years**

(21) Appl. No.: **29/218,639**

(22) Filed: **Dec. 7, 2004**

(30) **Foreign Application Priority Data**

Jun. 8, 2004 (JP) ..... 2004-017018

(51) **LOC (8) Cl.** ..... **16-02**

(52) **U.S. Cl.** ..... **D16/235; D16/230**

(58) **Field of Classification Search** ..... D16/205,  
D16/208, 213, 221, 225, 230, 231, 234; D21/514;  
353/115, 119, 122

See application file for complete search history.

(56) **References Cited**

**U.S. PATENT DOCUMENTS**

D421,036 S \* 2/2000 Oota et al. .... D16/231  
D470,163 S \* 2/2003 Kim ..... D16/230

D472,571 S \* 4/2003 Williams et al. .... D16/230  
D475,389 S \* 6/2003 Kurokawa ..... D16/230  
D505,441 S \* 5/2005 Junsu et al. .... D16/235  
D517,588 S \* 3/2006 Yamada et al. .... D16/230

\* cited by examiner

*Primary Examiner*—Adir Aronovich

(74) *Attorney, Agent, or Firm*—Sughrue Mion, PLLC

(57) **CLAIM**

The ornamental design for a projector, as shown and described.

**DESCRIPTION**

FIG. 1 is a perspective view of the top, front and right side of a projector showing our new design;

FIG. 2 is a front elevational view thereof;

FIG. 3 is a rear elevational view thereof;

FIG. 4 is a left side elevational view thereof;

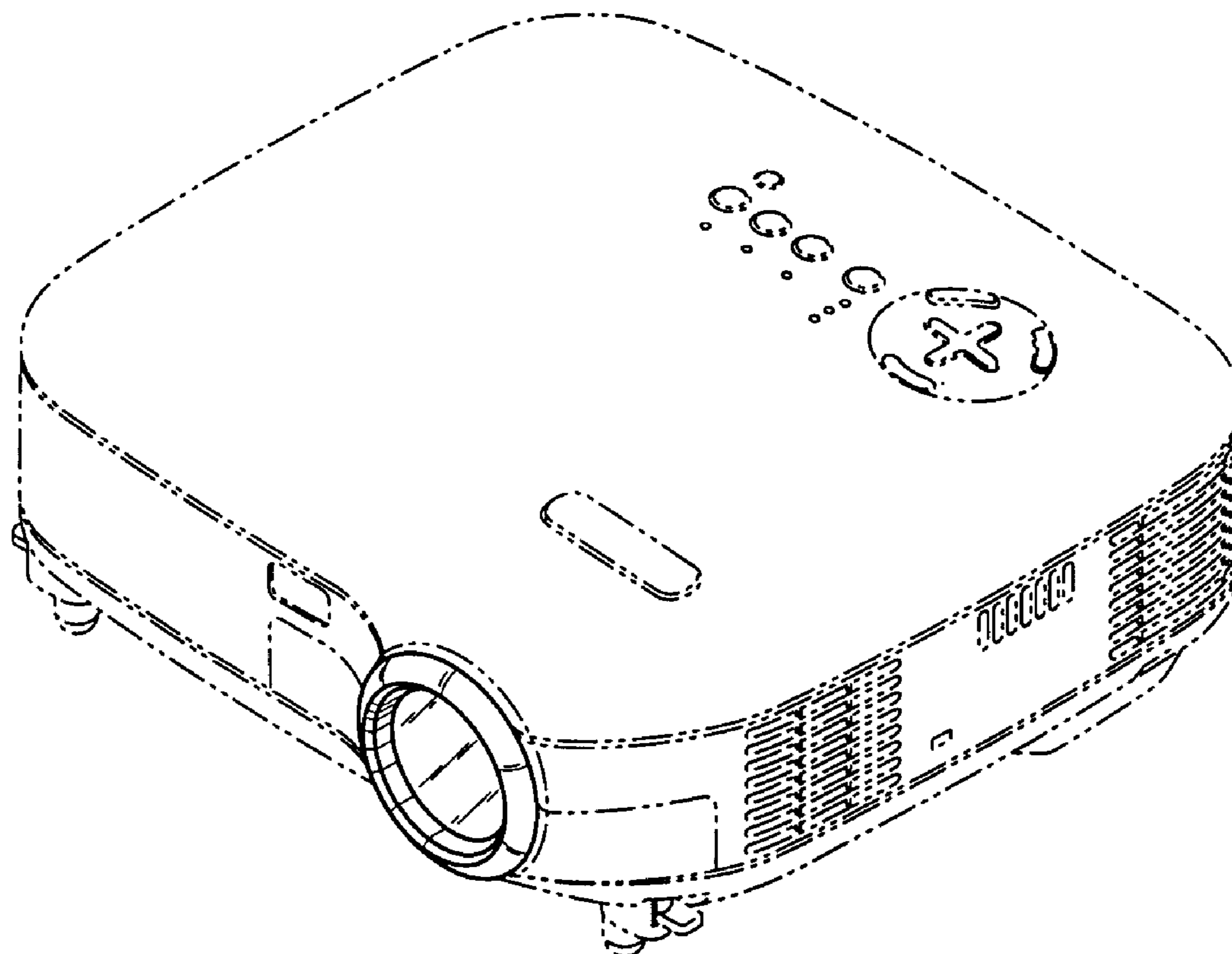
FIG. 5 is a right side elevational view thereof;

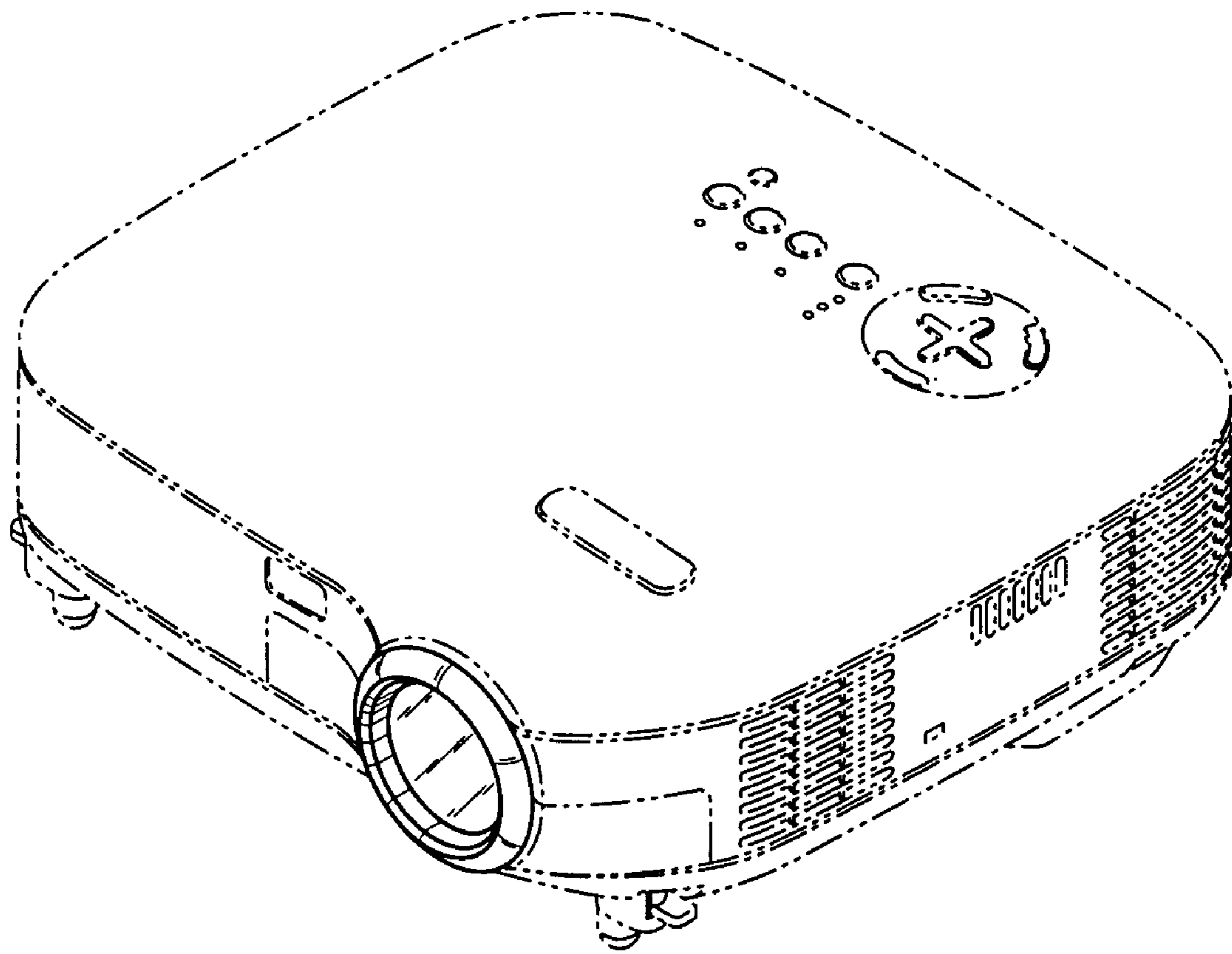
FIG. 6 is a top plan view thereof; and,

FIG. 7 is a bottom plan view thereof.

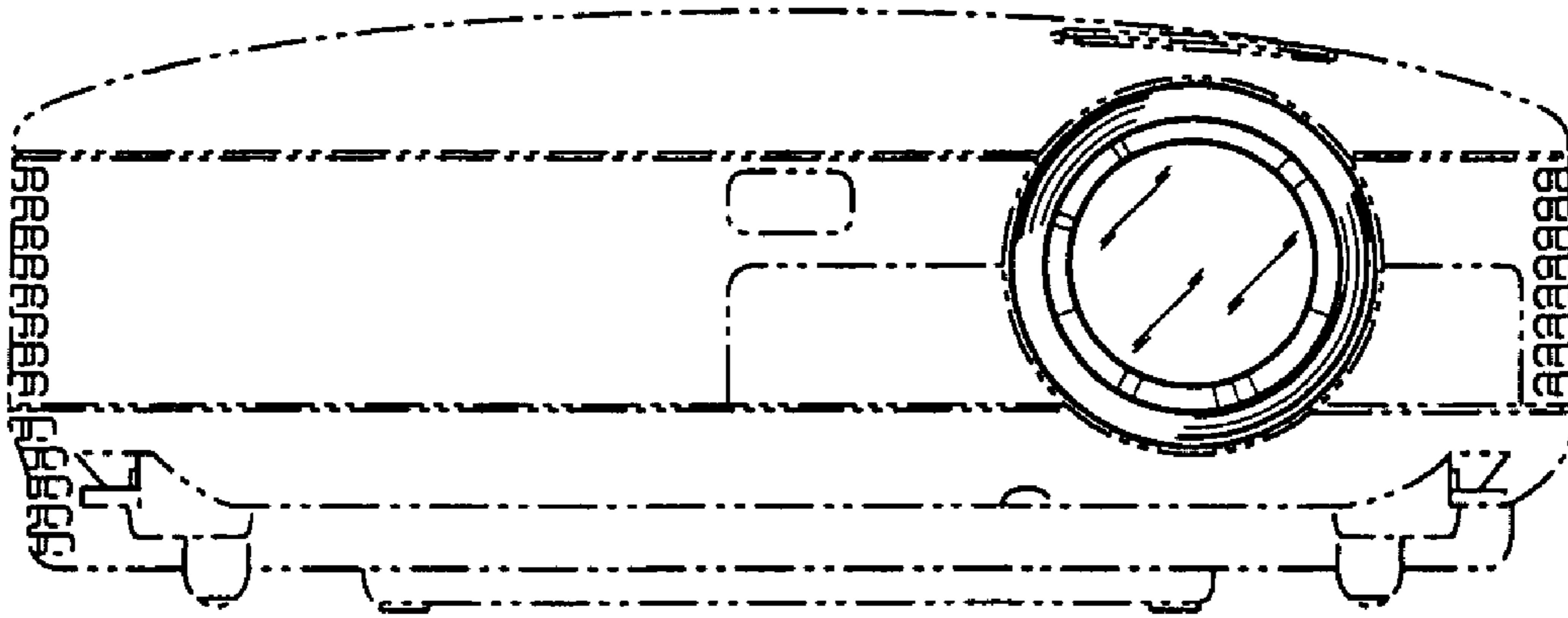
The elements shown in broken lines are for illustrative purposes only and form no part of the claimed design.

**1 Claim, 4 Drawing Sheets**

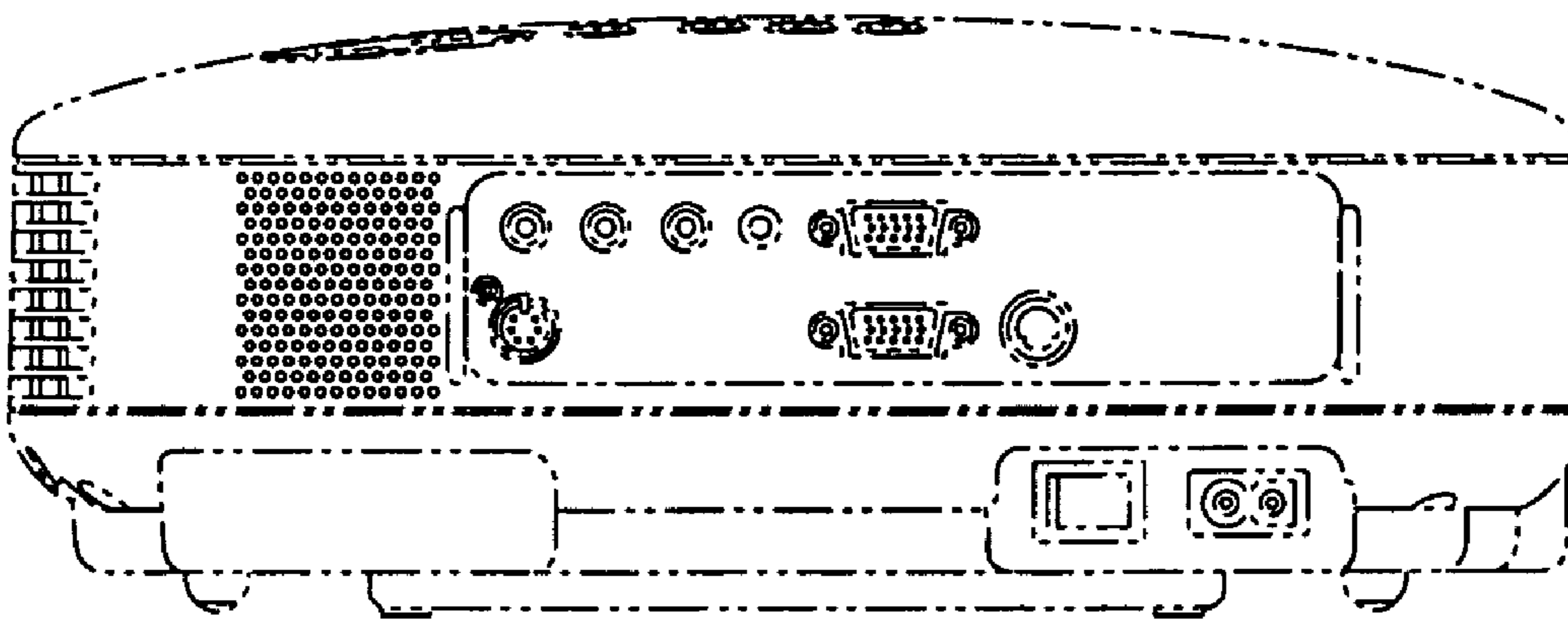




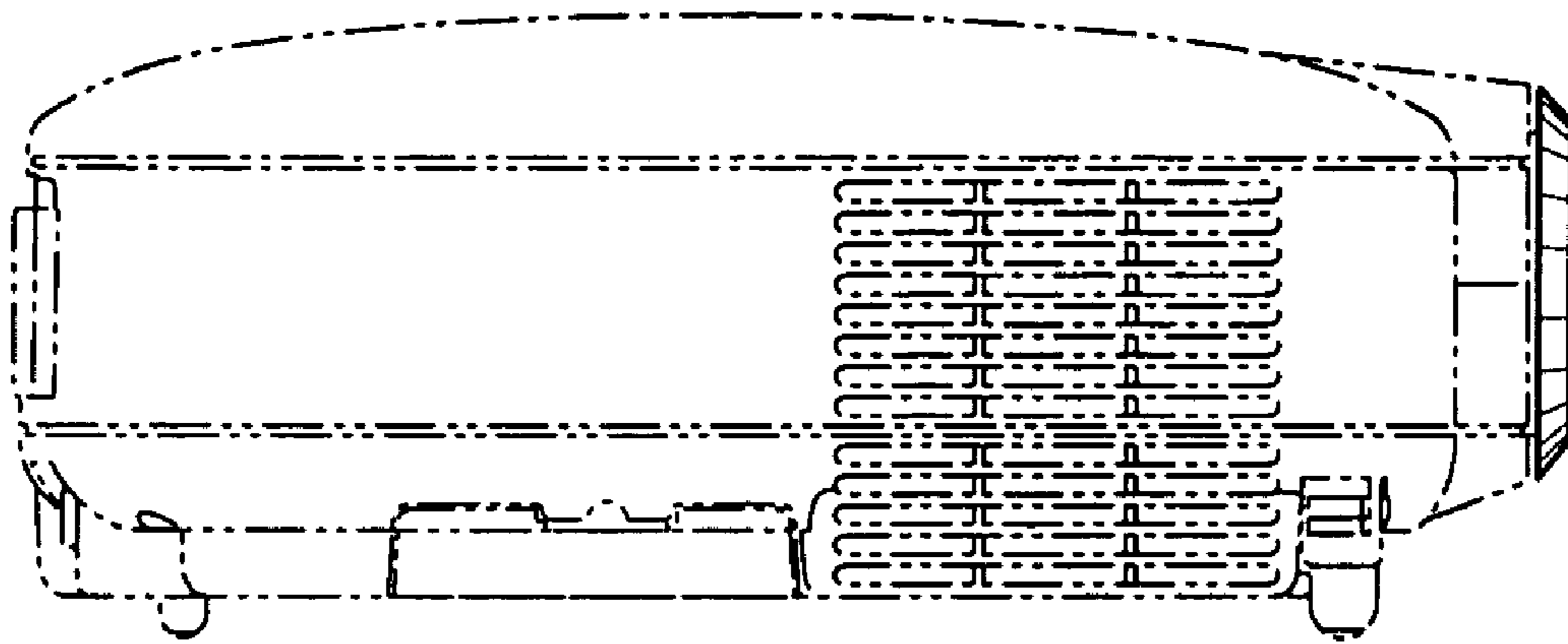
*Fig. 1*



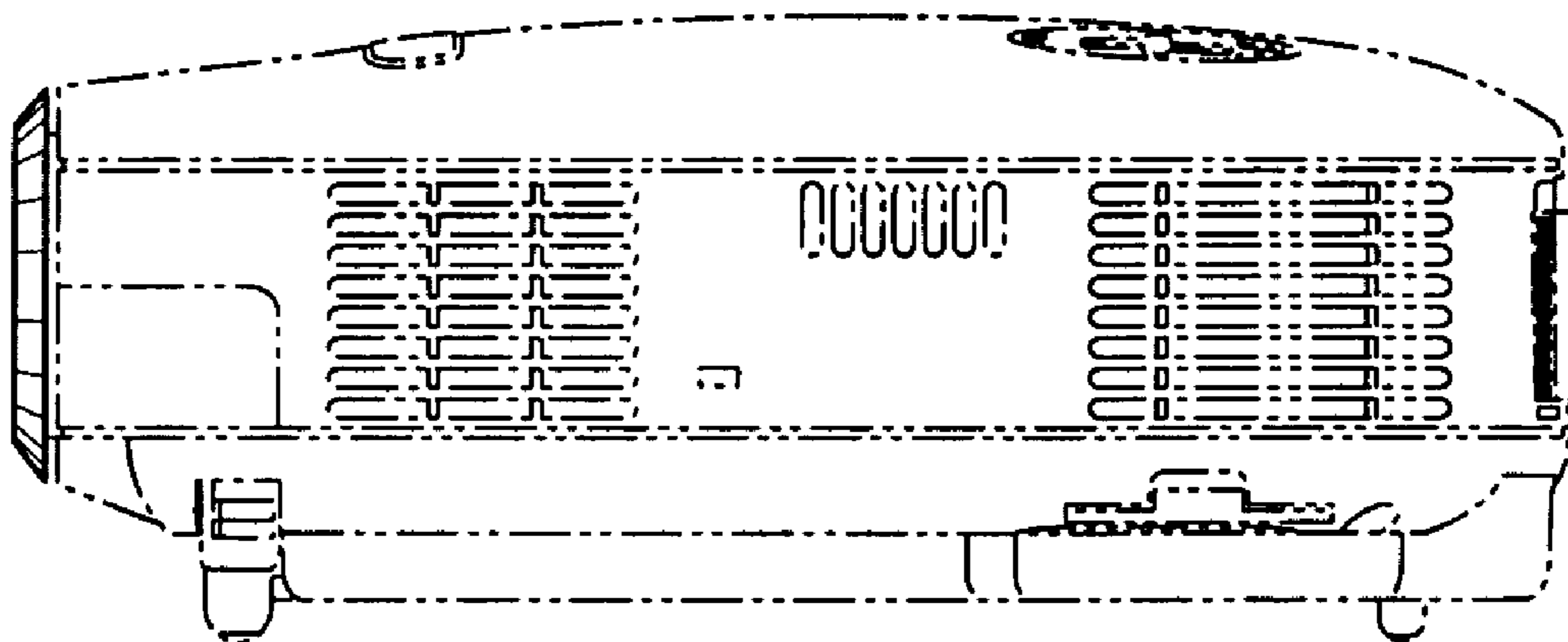
*Fig. 2*



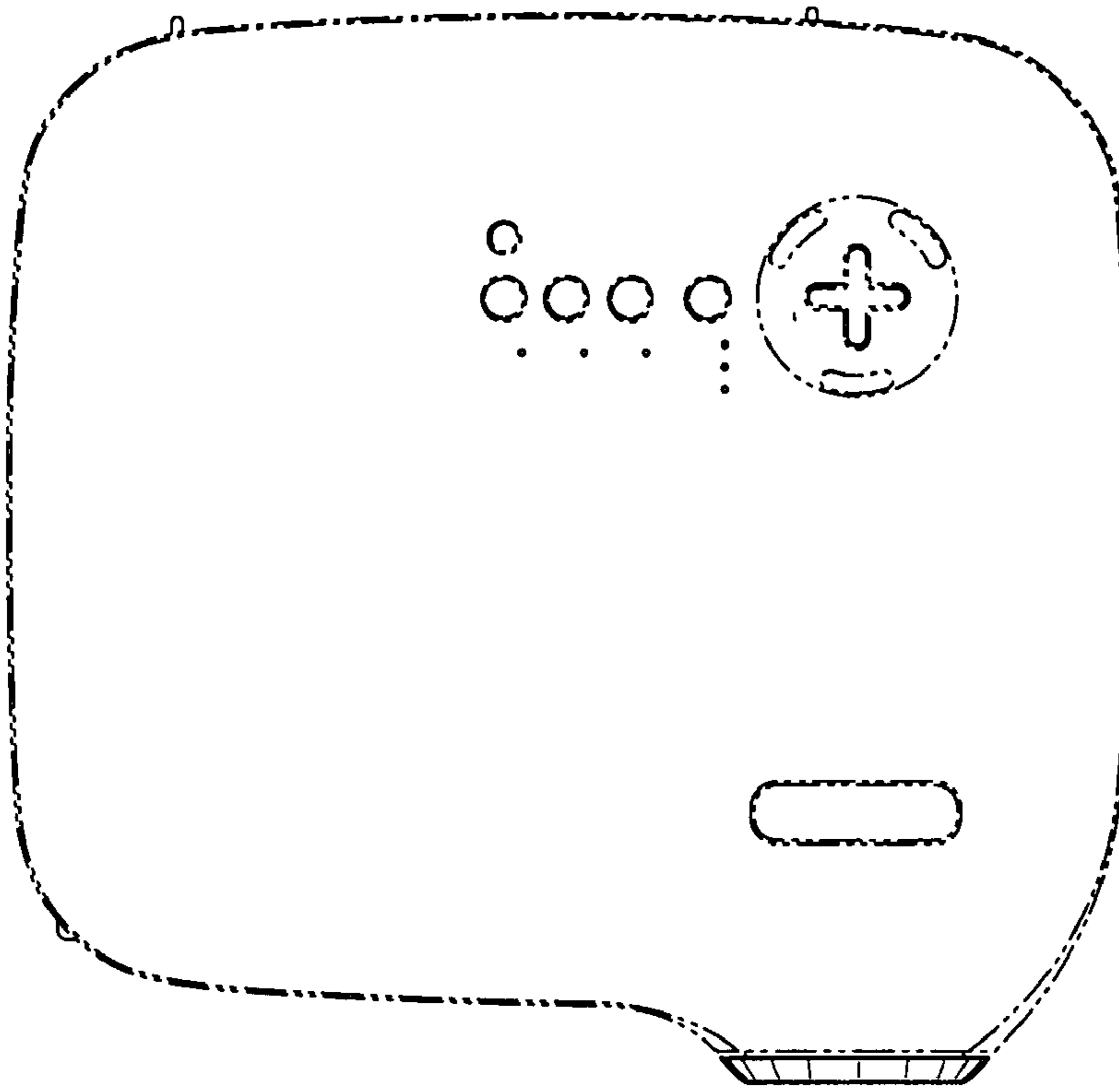
*Fig. 3*



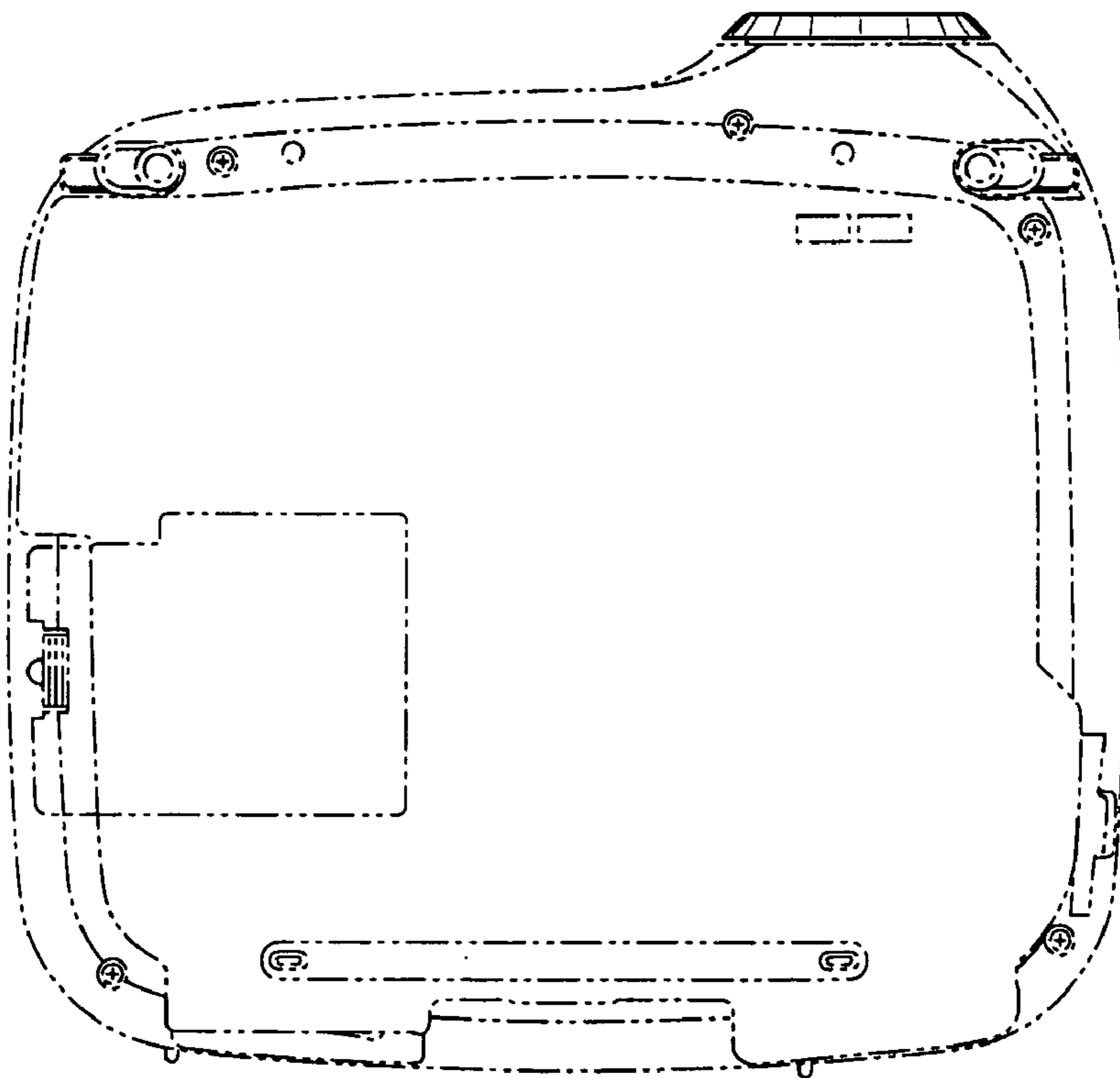
*Fig. 4*



*Fig. 5*



*Fig. 6*



*Fig. 7*