

US00D544515S

(12) **United States Design Patent**
Walter et al.

(10) **Patent No.: US D544,515 S**

(45) **Date of Patent: ** Jun. 12, 2007**

(54) **CAMERA**

(75) Inventors: **Mathias Walter**, Malmo (SE); **Morten Bergstrom**, Trelleborg (SE); **Oscar Strand**, Malmo (SE); **Carl-Axel Alm**, Lund (SE)

(73) Assignee: **Axis, AB**, Lund (SE)

(**) Term: **14 Years**

(21) Appl. No.: **29/261,988**

(22) Filed: **Jun. 22, 2006**

Related U.S. Application Data

(62) Division of application No. 29/211,798, filed on Aug. 20, 2004, now Pat. No. Des. 528,143.

(30) Foreign Application Priority Data

Feb. 23, 2004 (EM) 1398110001/0002

(51) **LOC (8) Cl.** **16-01**

(52) **U.S. Cl.** **D16/203**

(58) **Field of Classification Search** D16/200-205, D16/208, 218, 230, 231; 348/373-376; 358/906, 358/909.1; 396/535-541

See application file for complete search history.

(56) References Cited

U.S. PATENT DOCUMENTS

D227,504 S * 6/1973 Lang D16/202

D339,817 S * 9/1993 Fukuda et al. D16/205
D439,588 S * 3/2001 Bergstrom et al. D16/203
D479,551 S * 9/2003 Min et al. D16/230
6,683,654 B1 * 1/2004 Haijima 348/374
D489,386 S * 5/2004 Lewellen et al. D16/203
D523,886 S * 6/2006 Wen et al. D16/202
D527,404 S * 8/2006 Brickzin D16/203

* cited by examiner

Primary Examiner—Adir Aronovich

(74) *Attorney, Agent, or Firm*—IP Creators; Charles C Cary

(57) CLAIM

The ornamental design for a camera, as shown and described.

DESCRIPTION

FIG. 1 is a front, top and left side perspective view of a camera showing our new design;

FIG. 2 is a rear, bottom and right side perspective view thereof;

FIG. 3 is a front elevational view thereof;

FIG. 4 is a top plan view thereof;

FIG. 5 is a left side elevational view thereof;

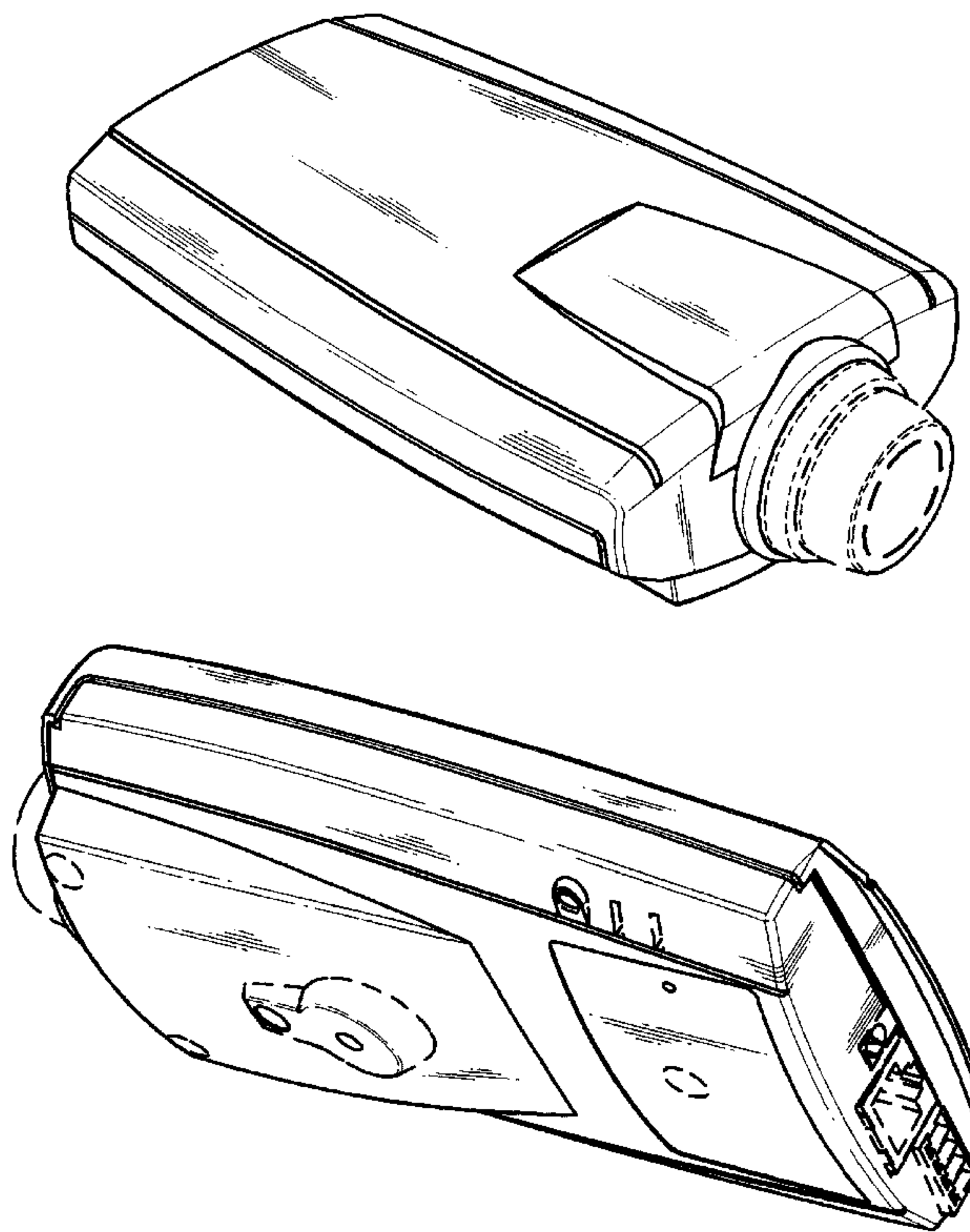
FIG. 6 is a right side elevational view thereof;

FIG. 7 is a rear elevational view thereof; and,

FIG. 8 is a bottom plan view thereof.

The portions of the article in broken lines are shown for illustrative purposes only and form no part of the claimed design.

1 Claim, 3 Drawing Sheets



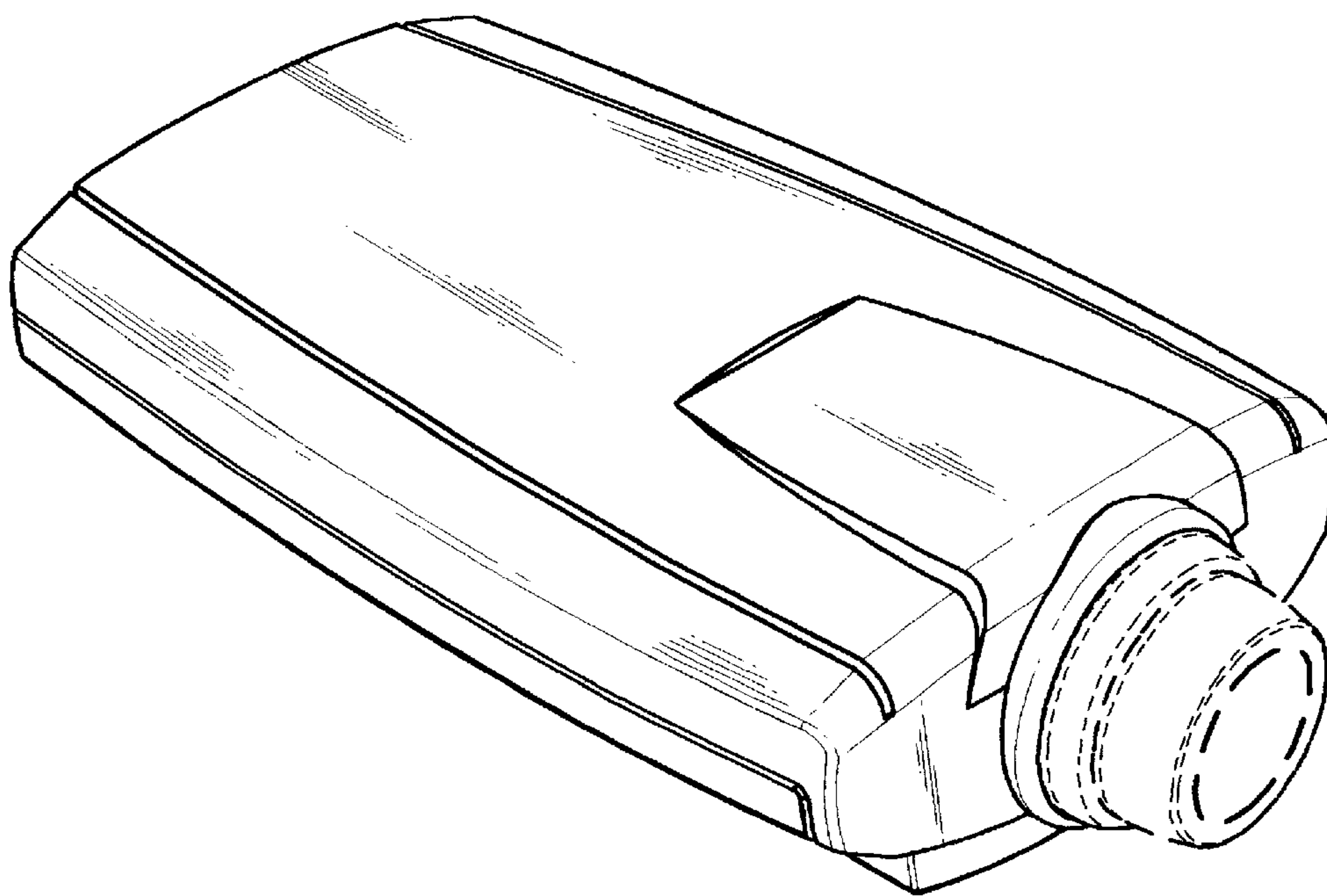


Figure 1

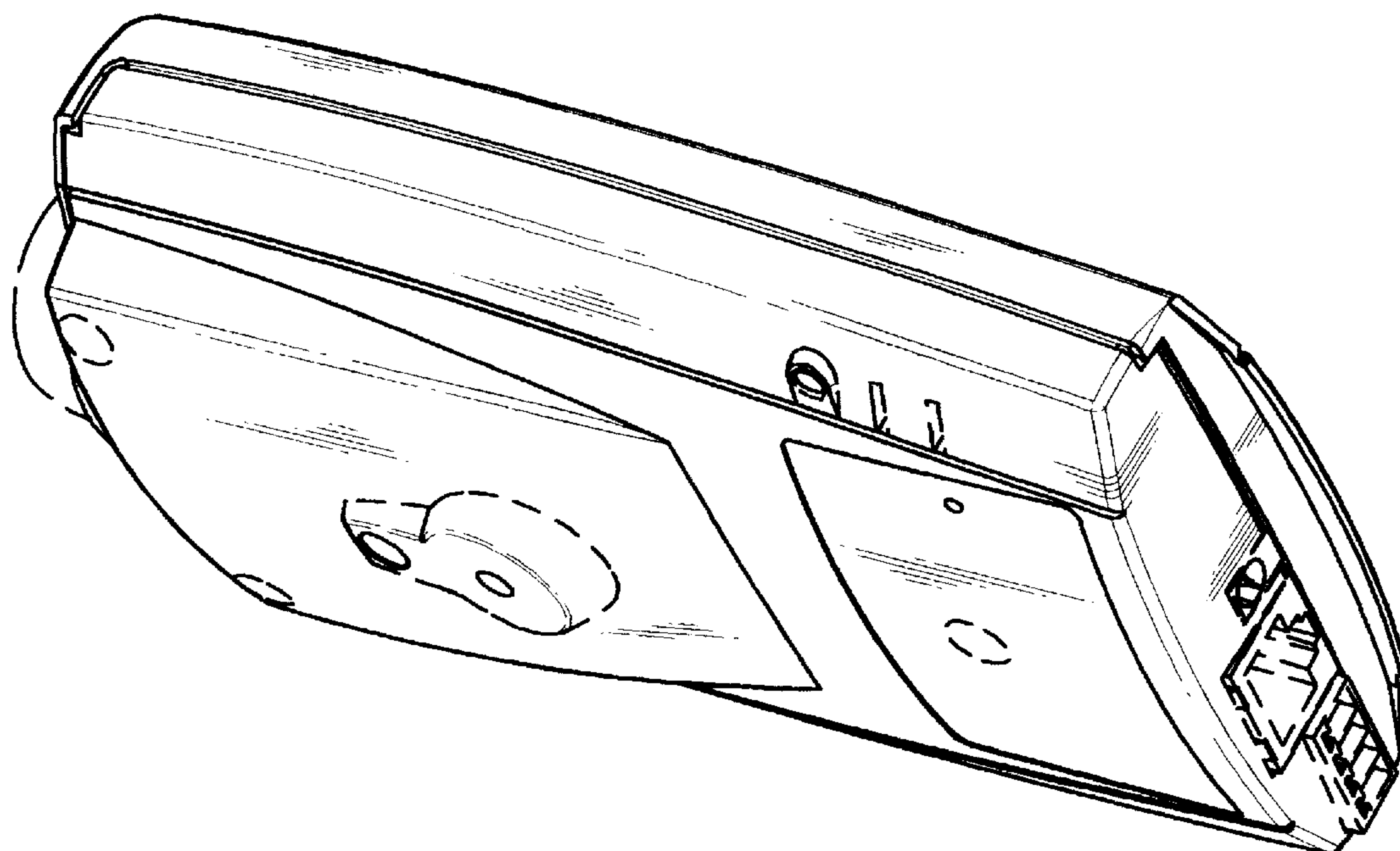


Figure 2

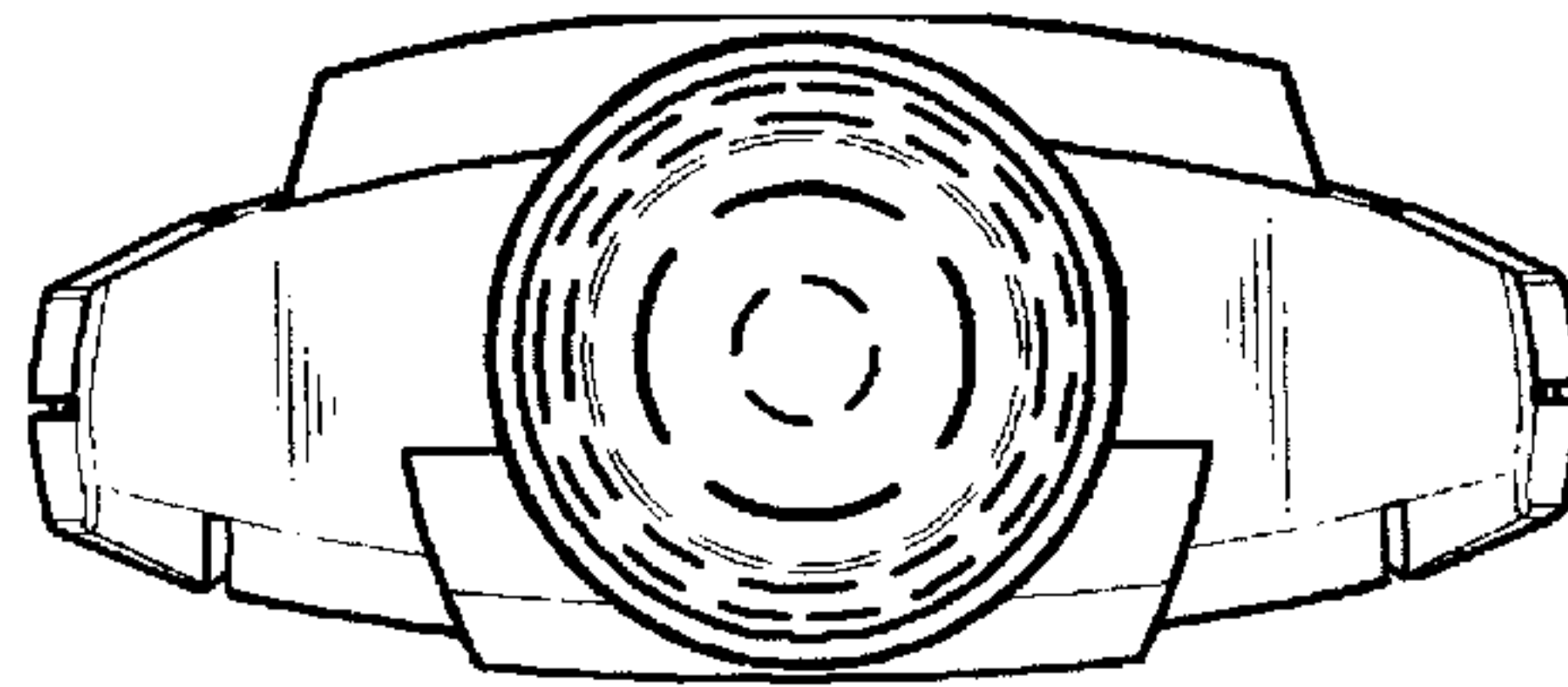


Figure 3

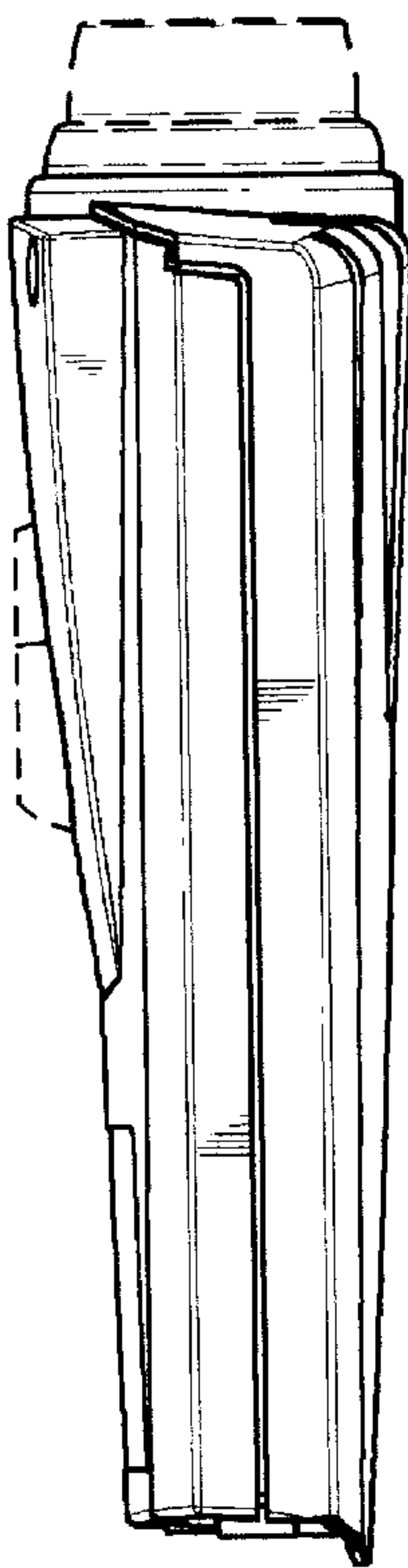


Figure 6

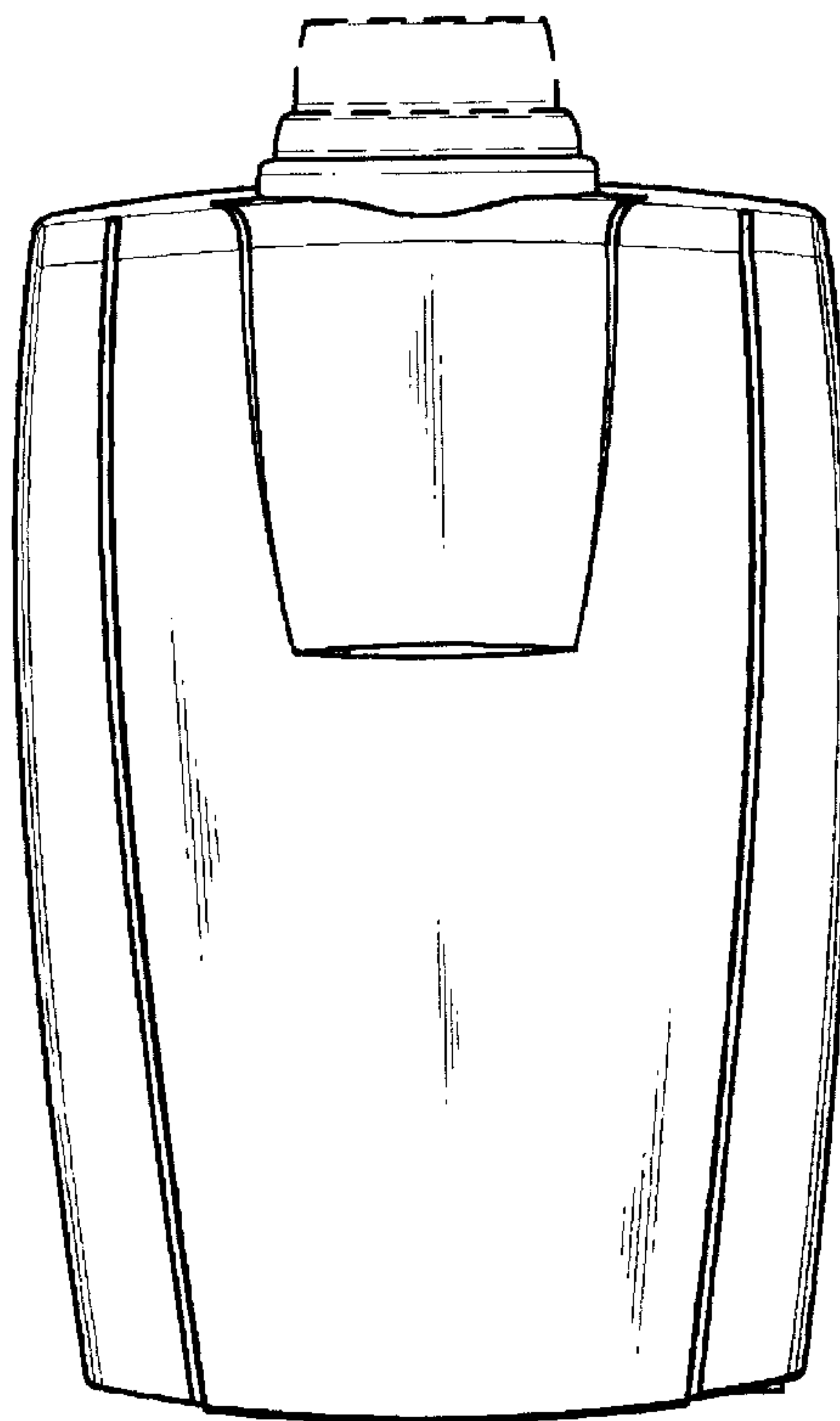


Figure 4

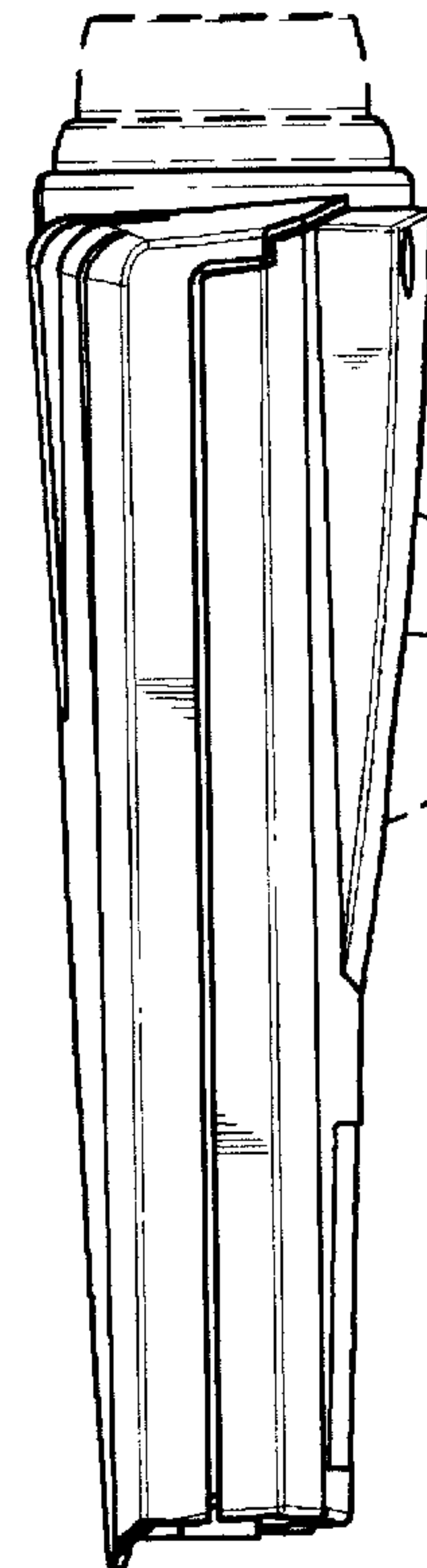


Figure 5

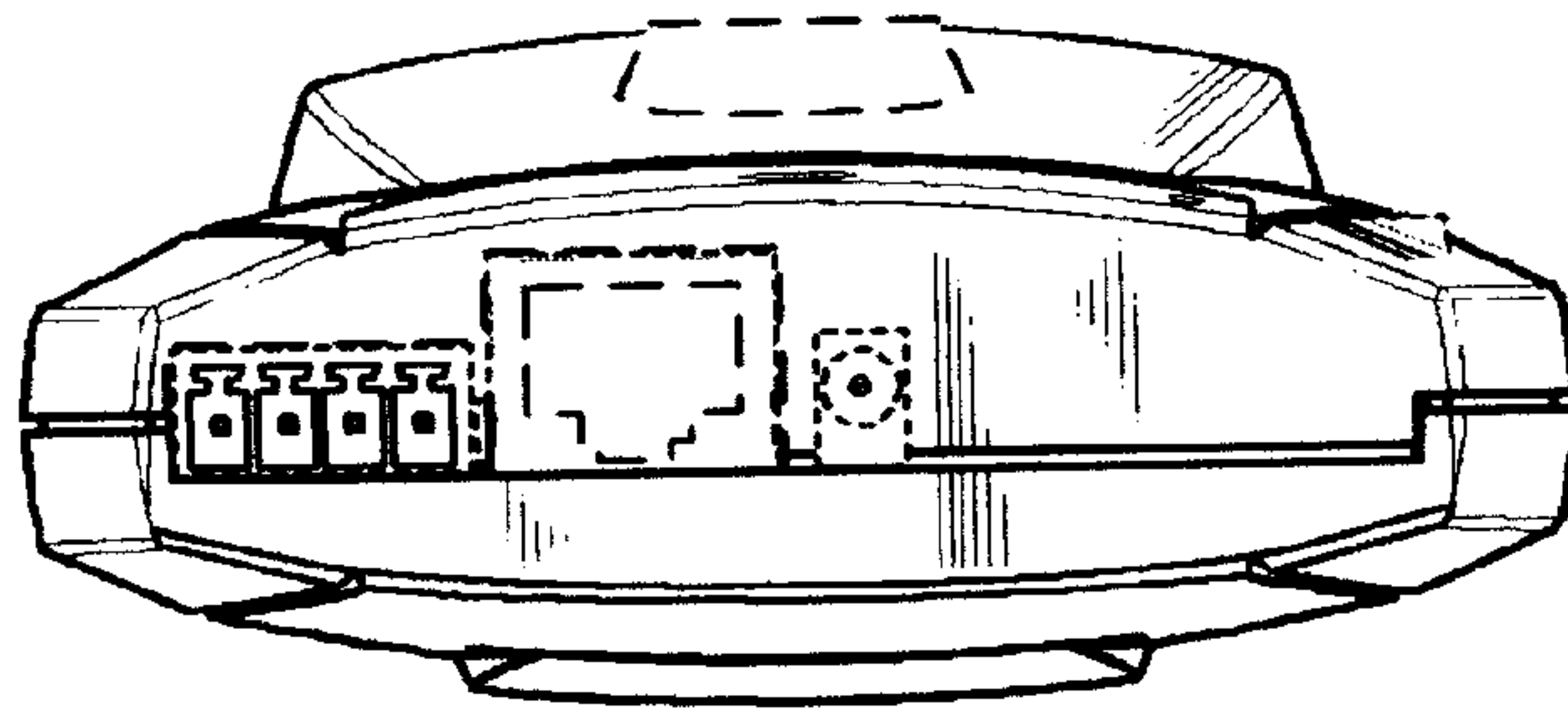


Figure 7

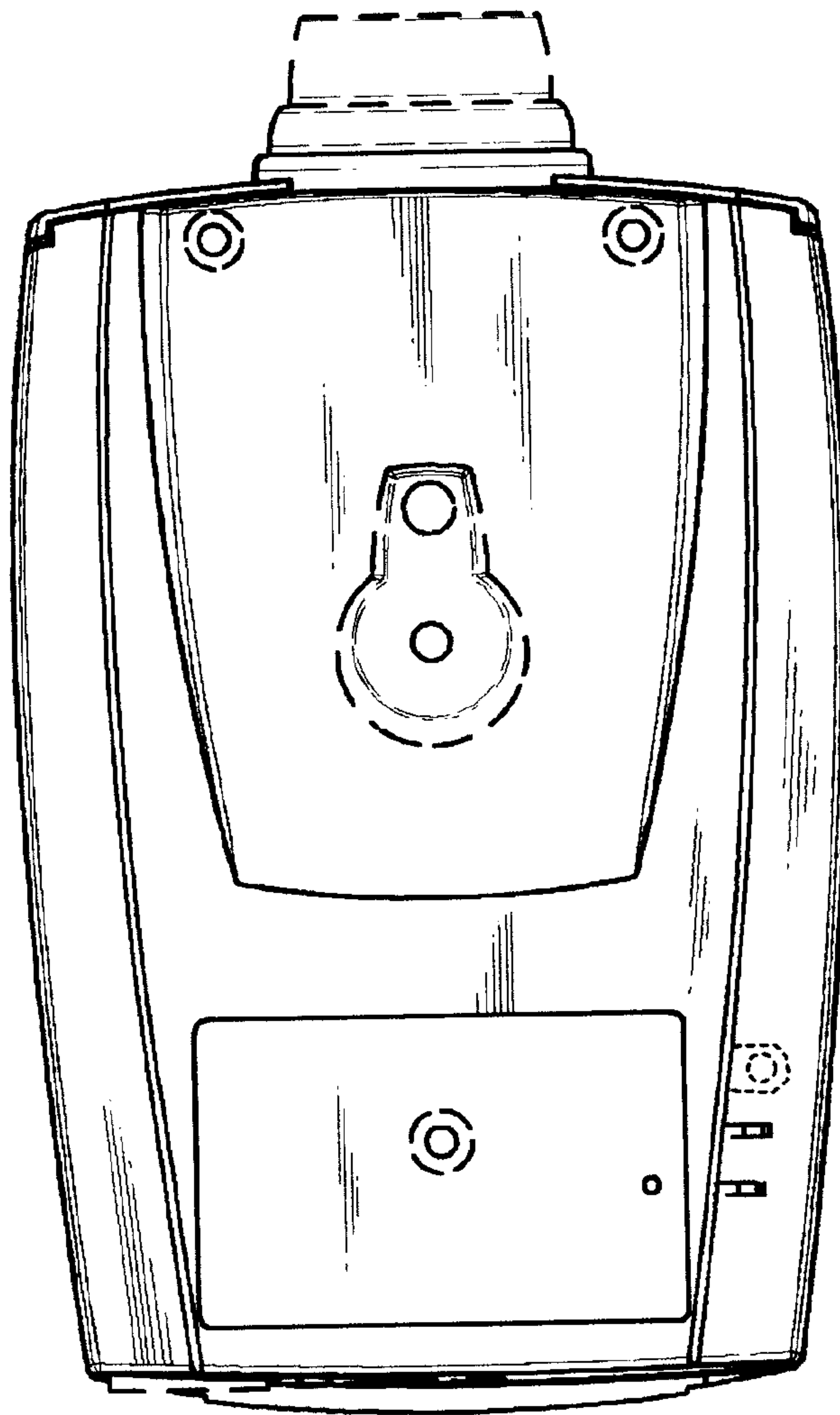


Figure 8