

US00D544512S

(12) **United States Design Patent**
Huang

(10) **Patent No.:** **US D544,512 S**

(45) **Date of Patent:** **** Jun. 12, 2007**

(54) **MAGNIFIER FOR TIRE GAUGE**

(76) Inventor: **Tien-Tsai Huang**, No. 4-2, Lane 30,
Wu Chyuan St., Pan-Chiao, Taipei
(TW)

(**) Term: **14 Years**

(21) Appl. No.: **29/246,846**

(22) Filed: **May 15, 2006**

(51) **LOC (8) Cl.** **16-06**

(52) **U.S. Cl.** **D16/135**

(58) **Field of Classification Search** D16/130,
D16/131, 135, 134; 359/368, 802, 804, 806,
359/808, 809, 810, 811, 816; D10/85, 86,
D10/96, 102, 121; D13/184; 73/146, 744,
73/146.3, 146.8

See application file for complete search history.

(56) **References Cited**

U.S. PATENT DOCUMENTS

2,150,916	A *	3/1939	Forgea	359/802
D275,766	S *	10/1984	Suzuki	D16/134
D301,018	S *	5/1989	Hestich	D10/85
4,944,574	A *	7/1990	Roote et al.	359/802
5,130,853	A *	7/1992	Sakurai	359/803
D328,909	S *	8/1992	Sakurai	D16/135

D336,909	S *	6/1993	Sakurai	D16/135
D399,515	S *	10/1998	Kung	D16/135
5,983,728	A *	11/1999	Weng	73/744
D492,713	S *	7/2004	Yip et al.	D16/135
7,100,436	B2 *	9/2006	Chou	73/146.3

* cited by examiner

Primary Examiner—Paula A. Greene

(74) *Attorney, Agent, or Firm*—Pai Patent & Trademark
Law Firm; Chao-Chang David Pai

(57) **CLAIM**

The ornamental design for a magnifier for tire gauge, as
shown and described.

DESCRIPTION

FIG. 1 is a perspective view of a magnifier for tire gauge,
showing my new design;

FIG. 2 is a front view thereof;

FIG. 3 is a rear view thereof;

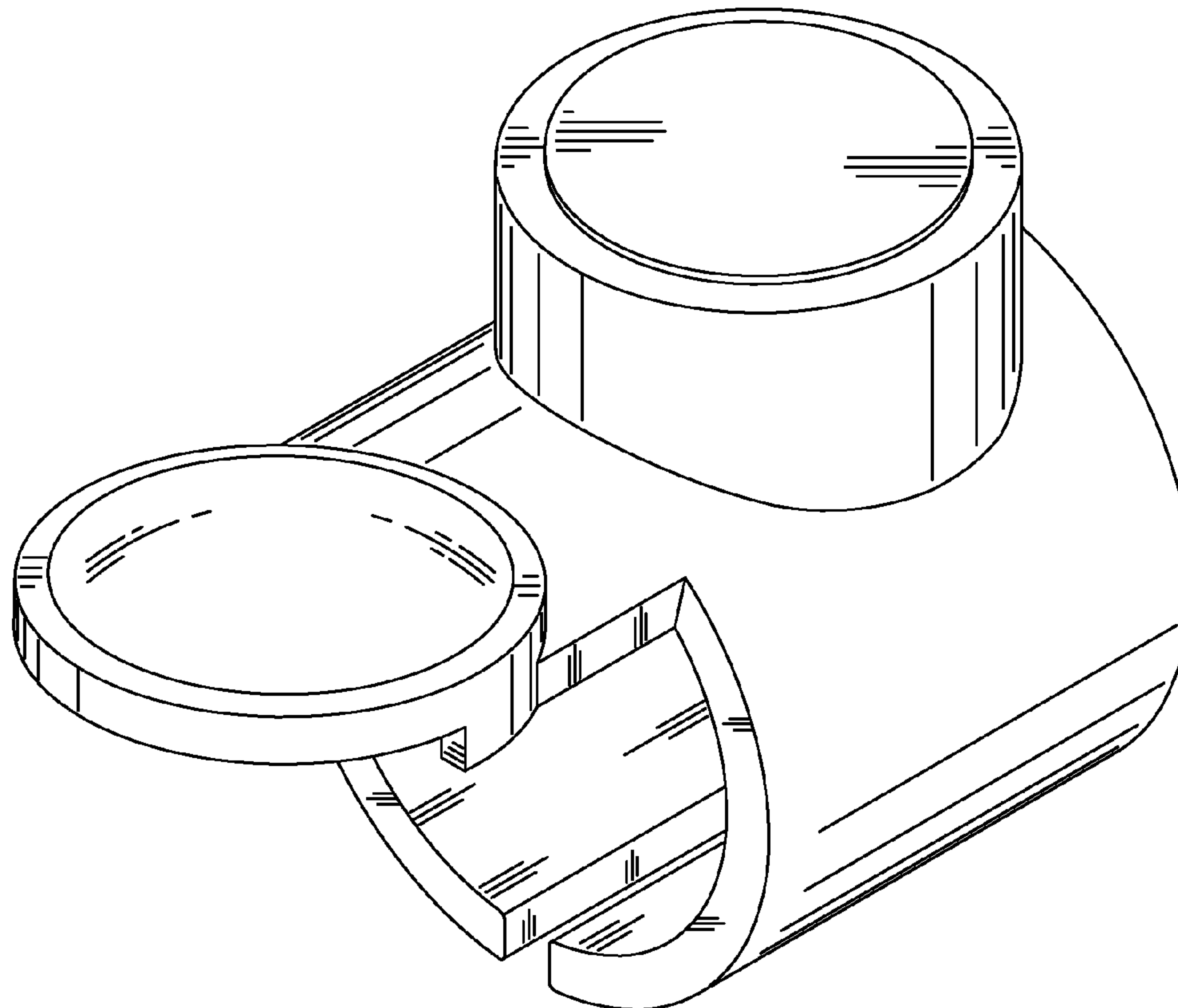
FIG. 4 is a left side view thereof;

FIG. 5 is a right side view thereof;

FIG. 6 is a top view thereof; and,

FIG. 7 is a bottom view thereof.

1 Claim, 6 Drawing Sheets



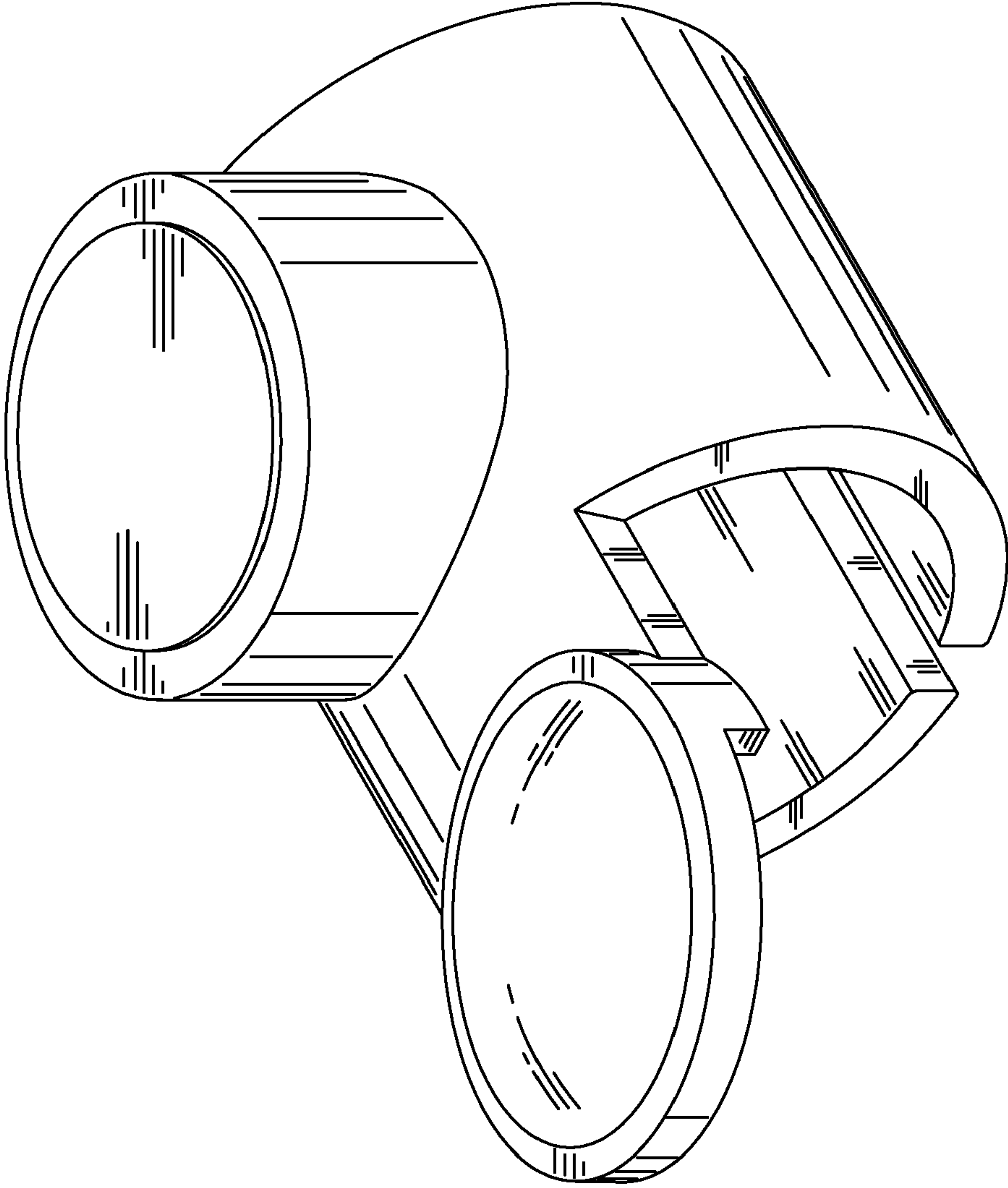


FIG. 1

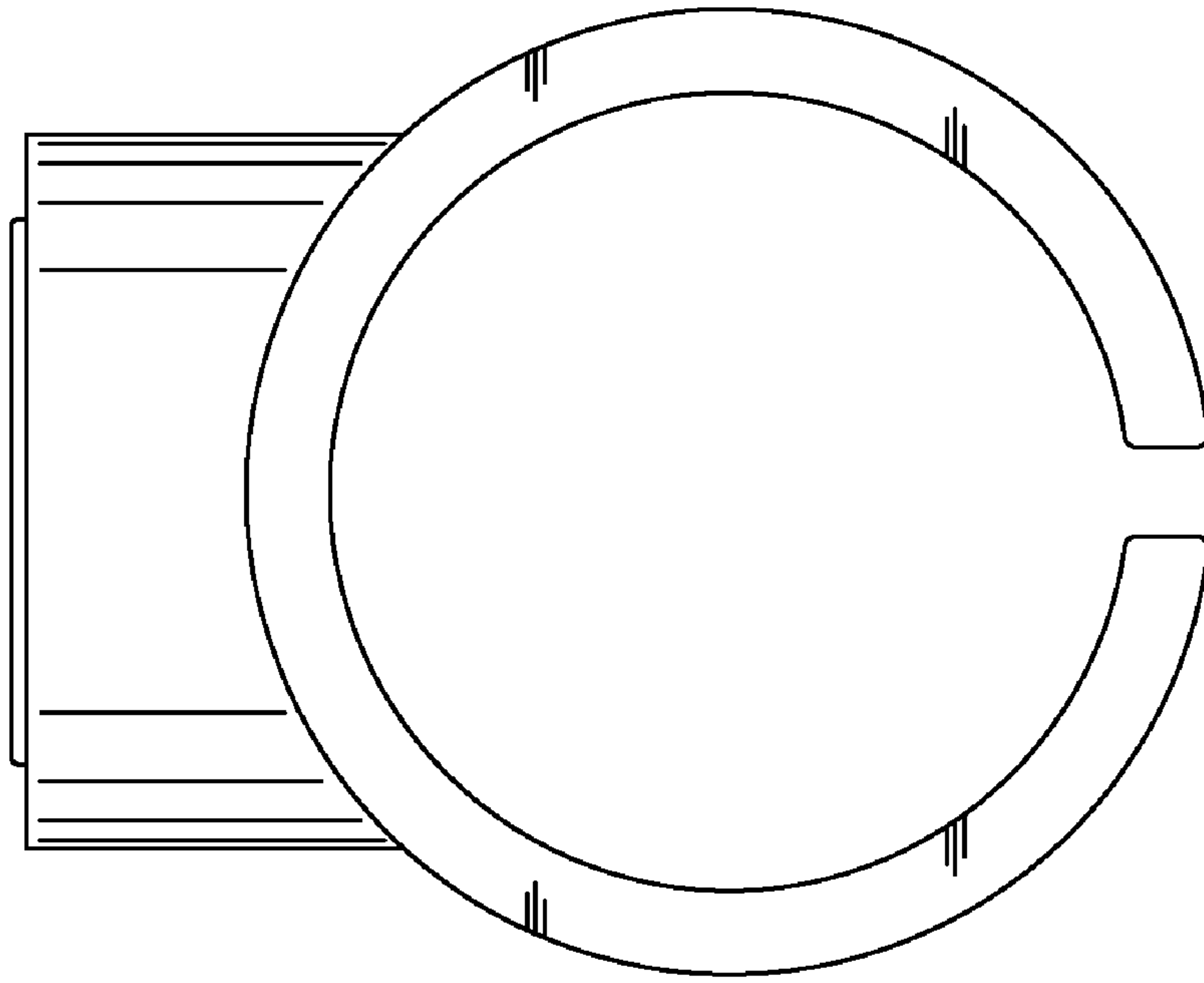


FIG. 3

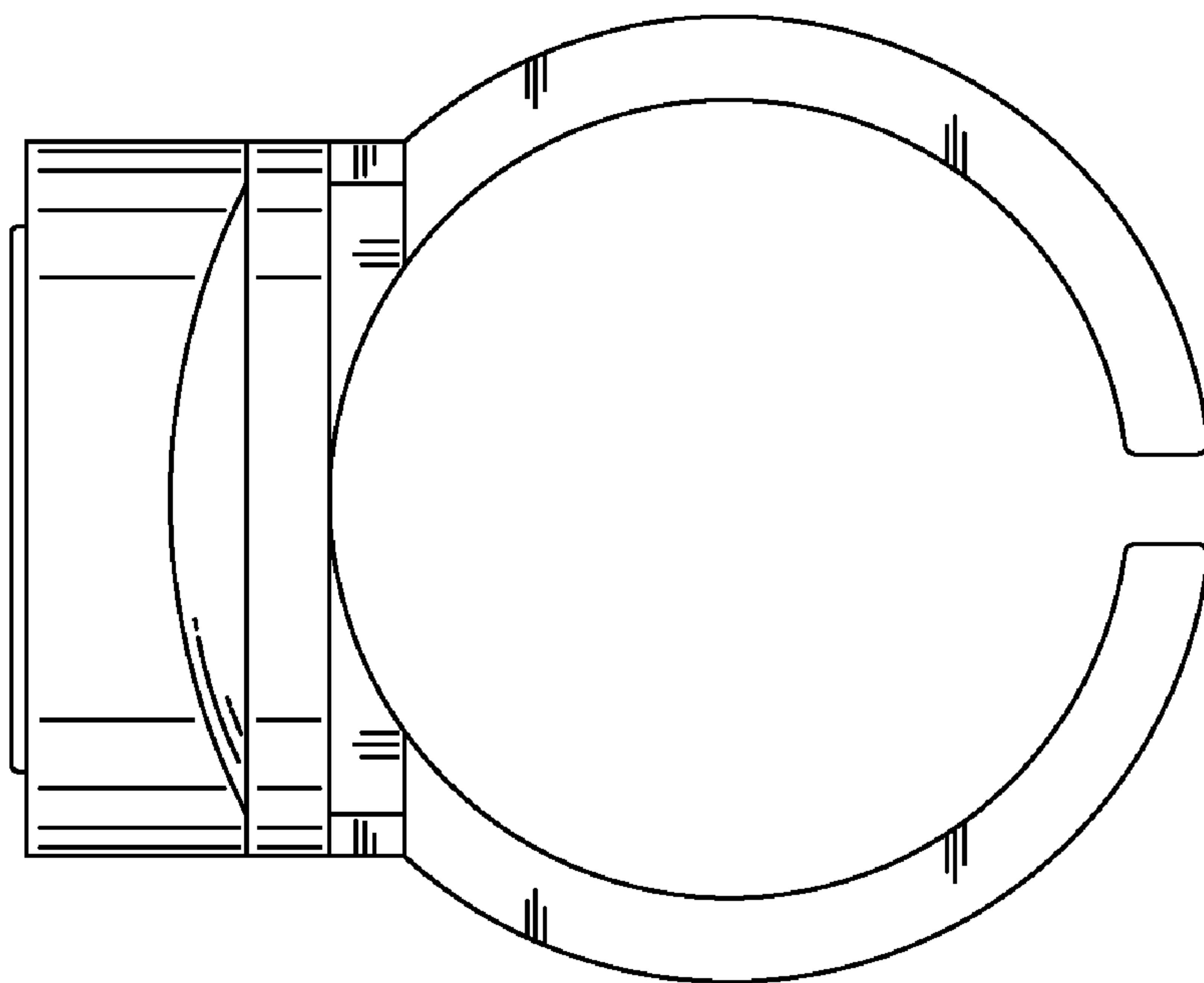


FIG. 2

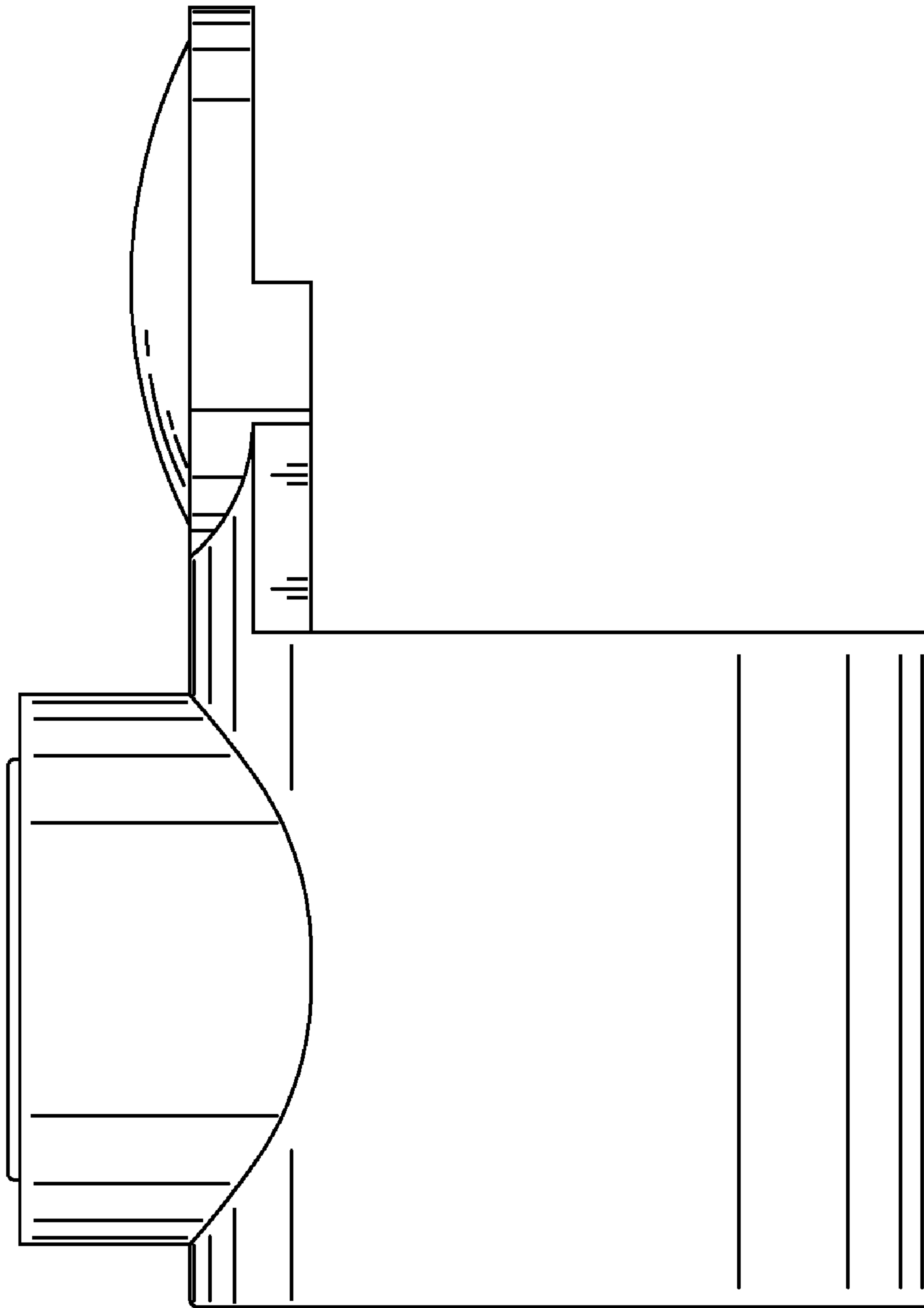


FIG. 4

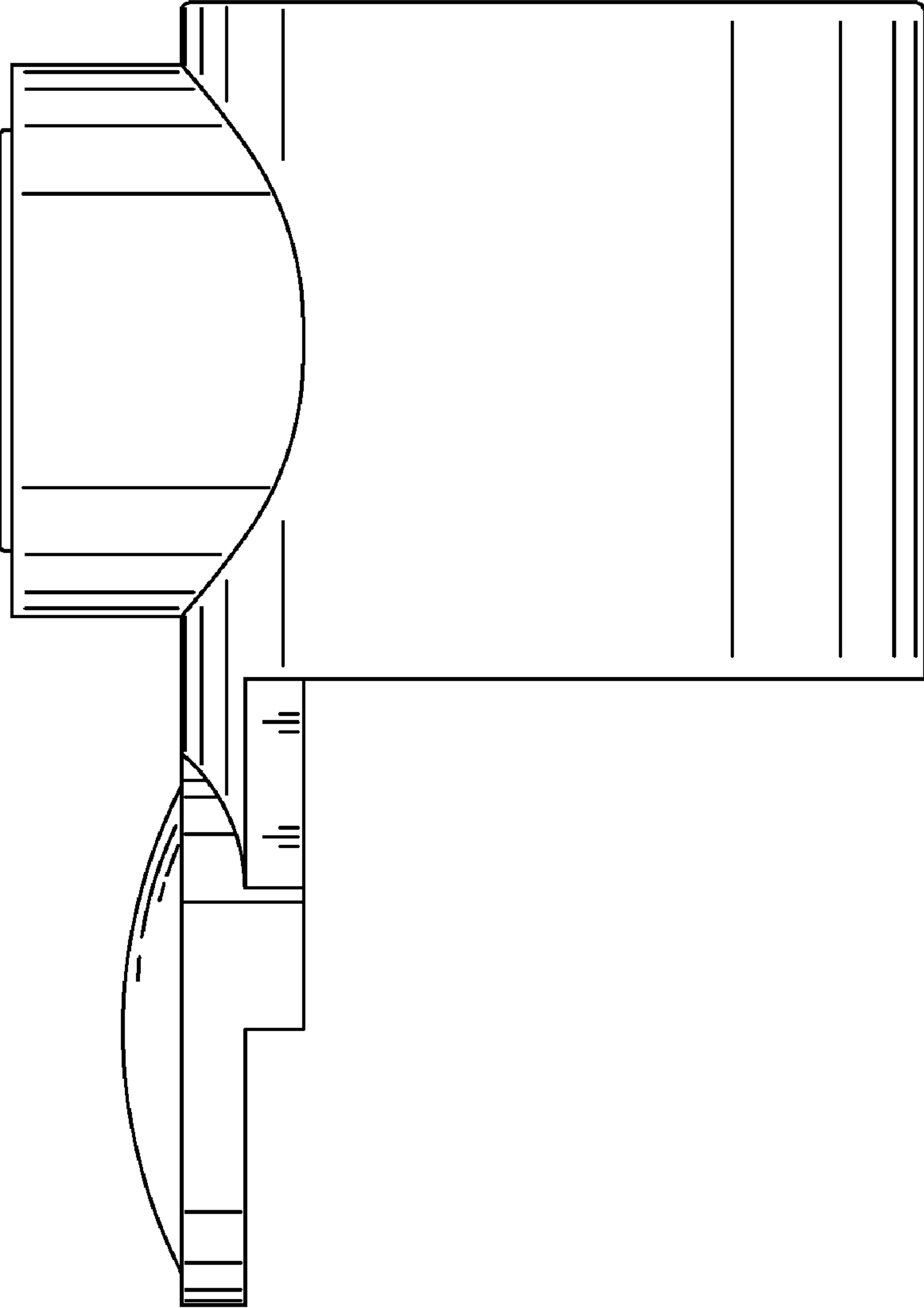


FIG. 5

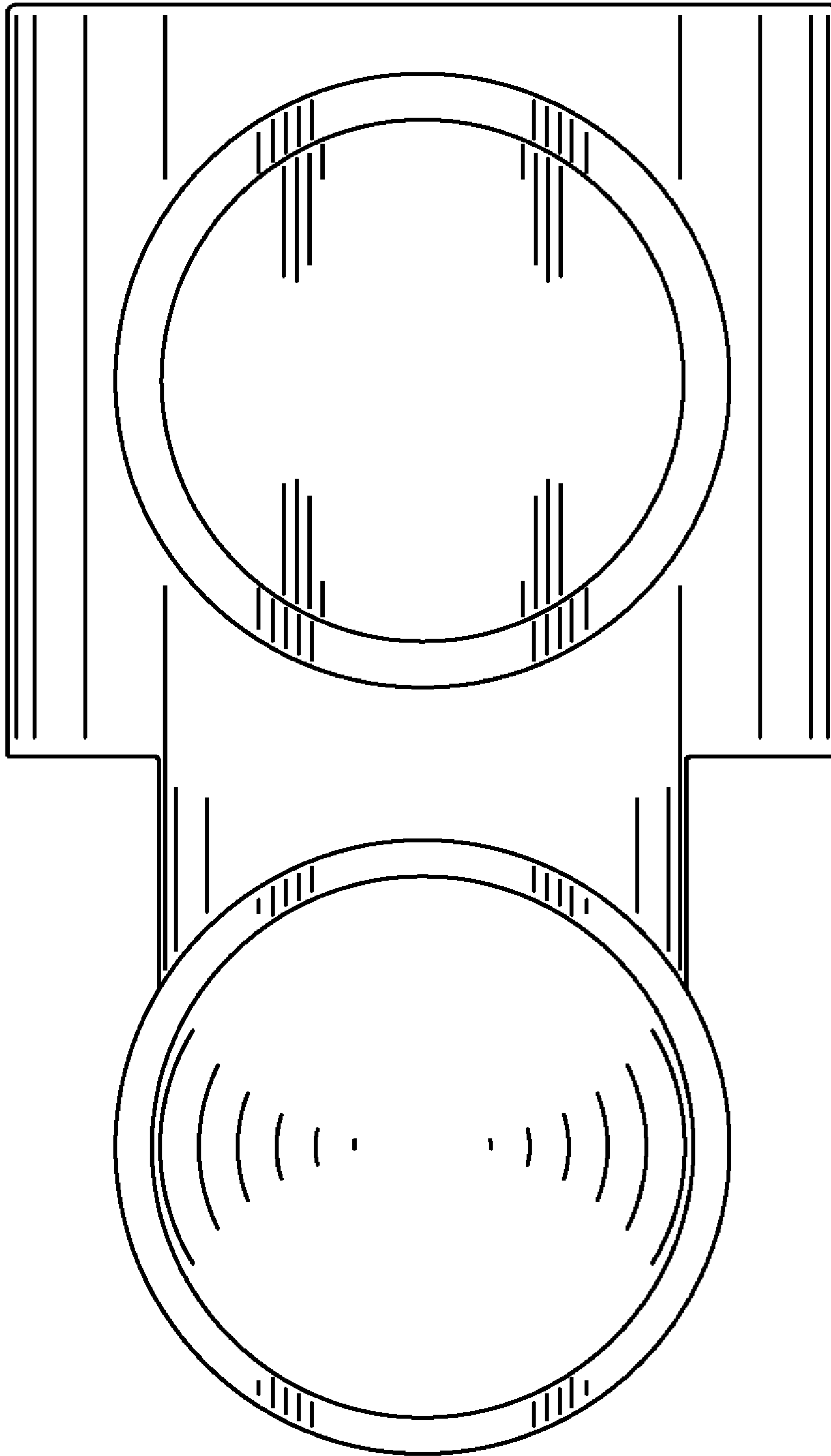


FIG. 6

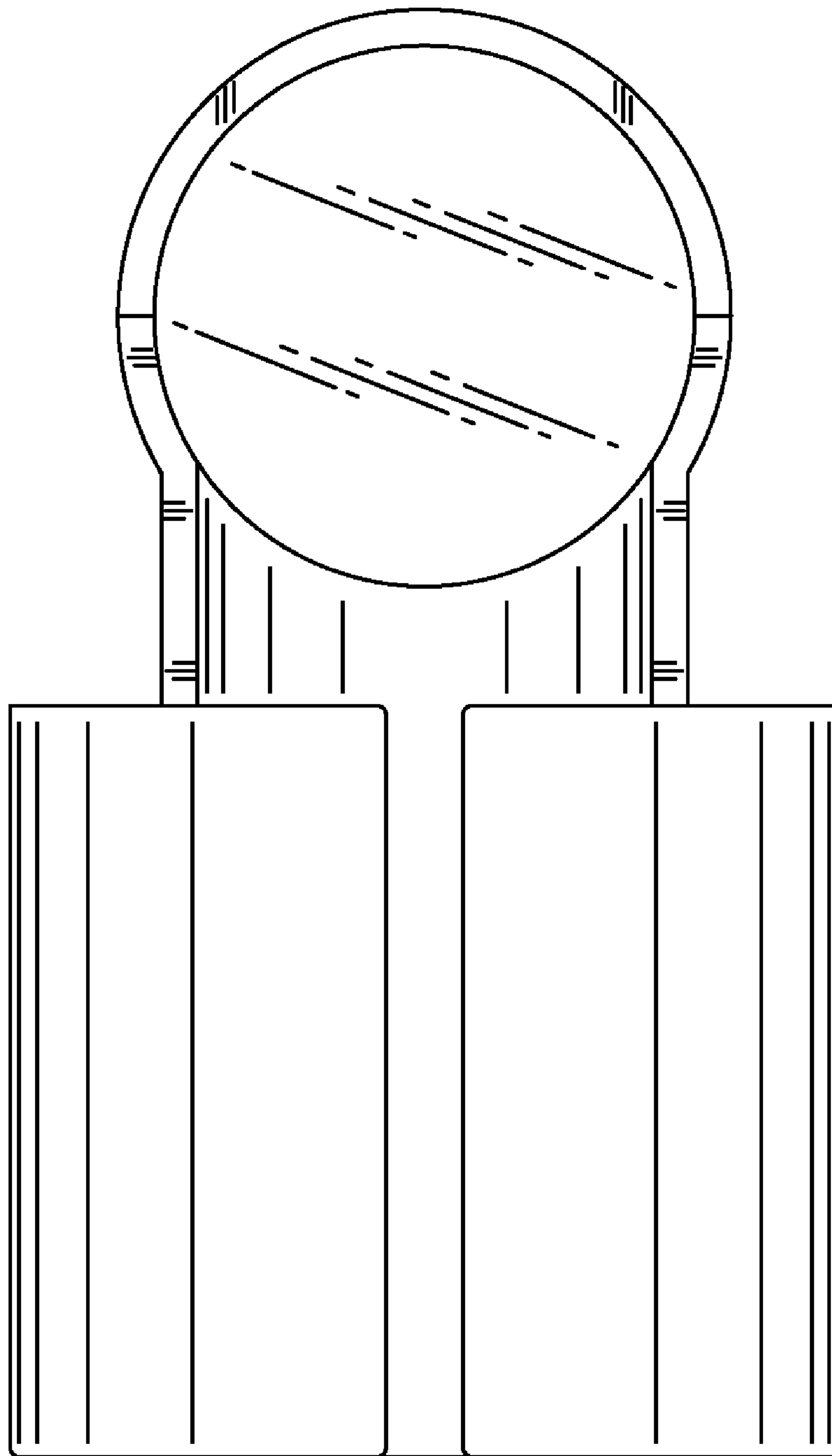


FIG. 7