



US00D544510S

(12) **United States Design Patent**
Reinius et al.

(10) **Patent No.:** **US D544,510 S**

(45) **Date of Patent:** **** Jun. 12, 2007**

(54) **CDC HOUSING**

(75) Inventors: **Pärerik Reinius**, Enskede Gård (SE);
Olle Bobjer, Spånga (SE); **Peter Ejvinsson**, Stockholm (SE); **Marcus Gabrielsson**, Stockholm (SE); **Anna Carell**, Stockholm (SE)

(73) Assignee: **VCE Holding Sweden AB**, Eskilstuna (SE)

(**) Term: **14 Years**

(21) Appl. No.: **29/227,138**

(22) Filed: **Apr. 7, 2005**

(30) **Foreign Application Priority Data**

Oct. 7, 2004 (EM) 000236559

(51) **LOC (8) Cl.** **16-99**

(52) **U.S. Cl.** **D16/130**

(58) **Field of Classification Search** D16/130-131,
D16/134, 136, 227, 235, 243, 245; D14/341,
D14/374; 359/363, 366, 369, 419, 505, 599,
359/613; 353/39; 248/177.1, 298.1; 252/243
See application file for complete search history.

(56) **References Cited**

U.S. PATENT DOCUMENTS

2,401,224 A * 5/1946 Burton 359/505
3,468,597 A * 9/1969 Jones 359/363
D217,740 S * 6/1970 Simonall D16/235

D294,036 S * 2/1988 Yamada D16/131
D352,049 S * 11/1994 Burr et al. D16/130
D446,233 S * 8/2001 Naito D16/136
6,364,259 B1 * 4/2002 Boudard 248/187.1
D503,420 S * 3/2005 Salvatori et al. D16/235
7,035,011 B2 * 4/2006 Wolf 359/599

* cited by examiner

Primary Examiner—Paula A. Greene

(74) *Attorney, Agent, or Firm*—Albihns Stockholm AB

(57) **CLAIM**

The ornamental design for a CDC housing, as shown and described.

DESCRIPTION

FIG. 1 is an upper left perspective view of a CDC housing according to our new design;

FIG. 2 is a top view thereof;

FIG. 3 is a front view thereof;

FIG. 4 is a back view thereof;

FIG. 5 is a right view thereof;

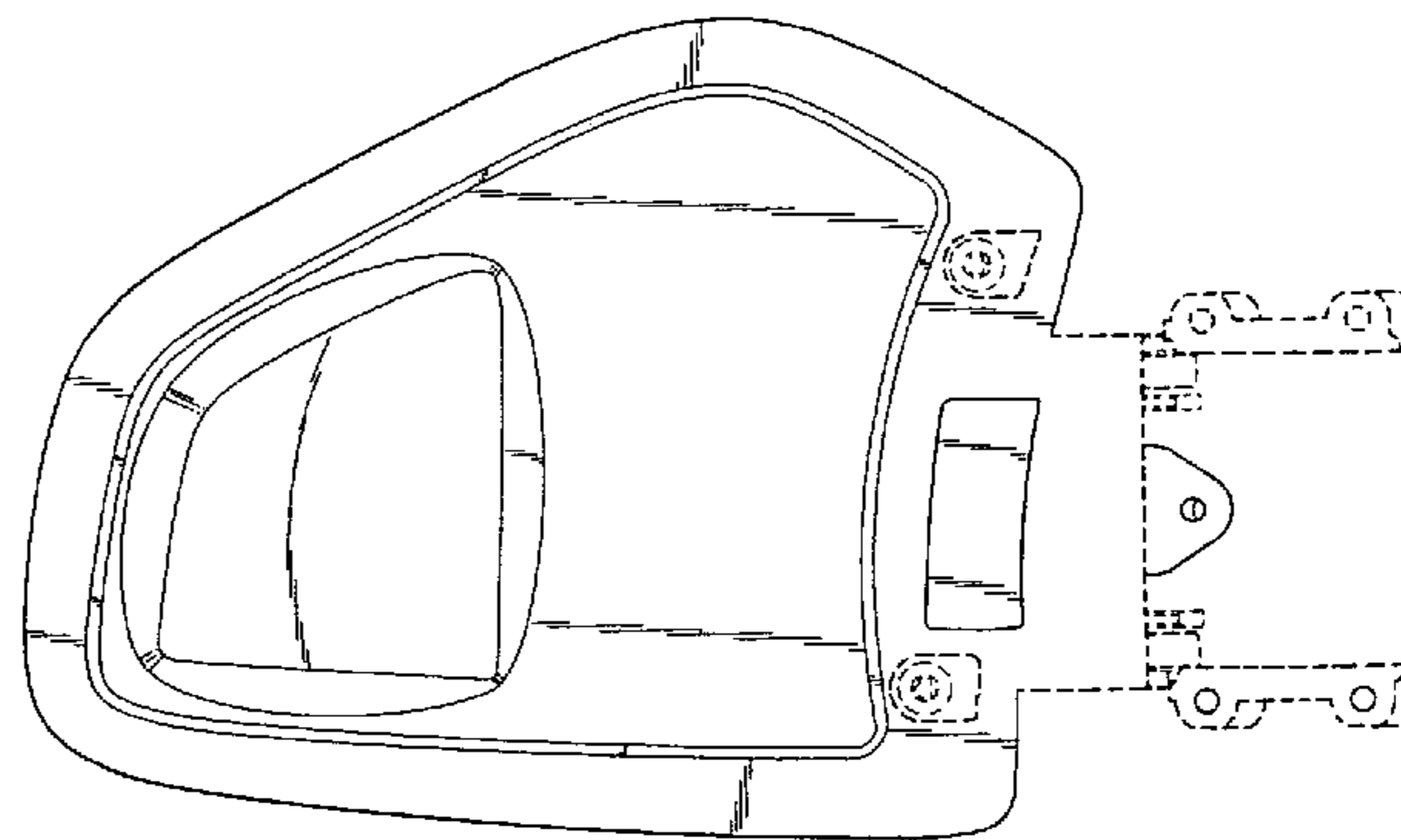
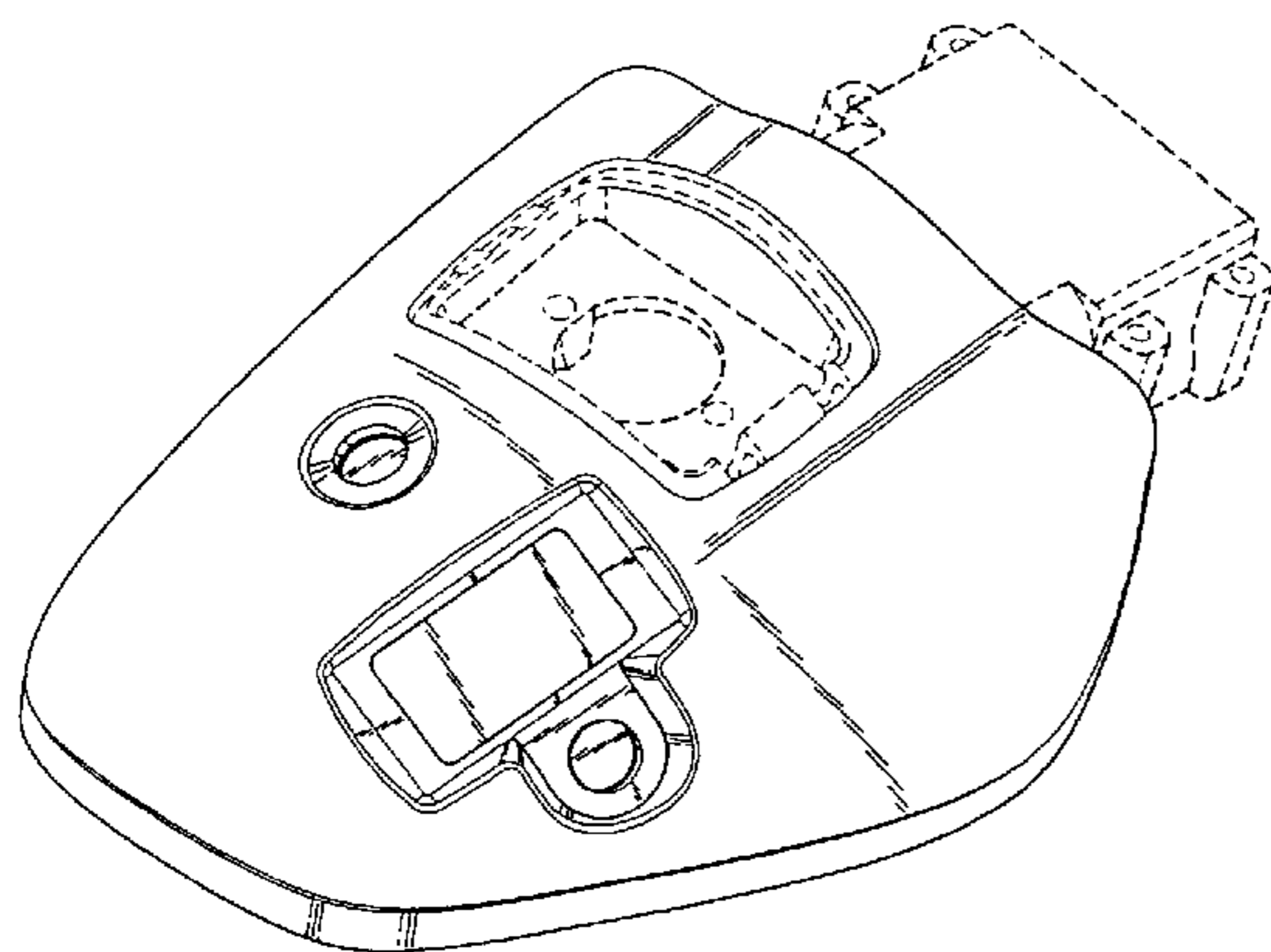
FIG. 6 is a left view thereof; and,

FIG. 7 is a bottom view thereof.

The broken line included depicts environment and is not part of the claimed design.

The broken lines are included for the purpose of illustration and form no part of the claimed design.

1 Claim, 4 Drawing Sheets



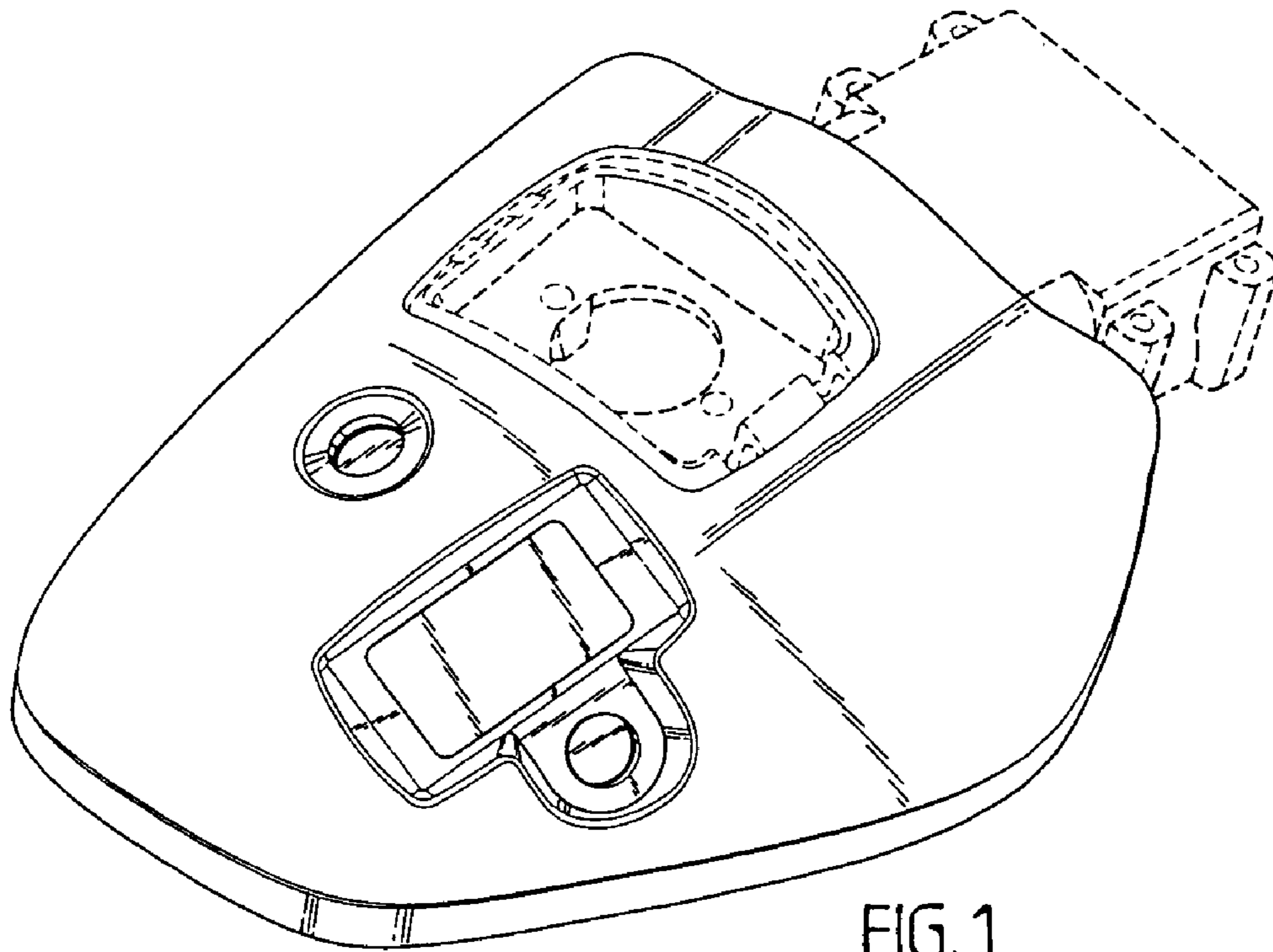


FIG. 1

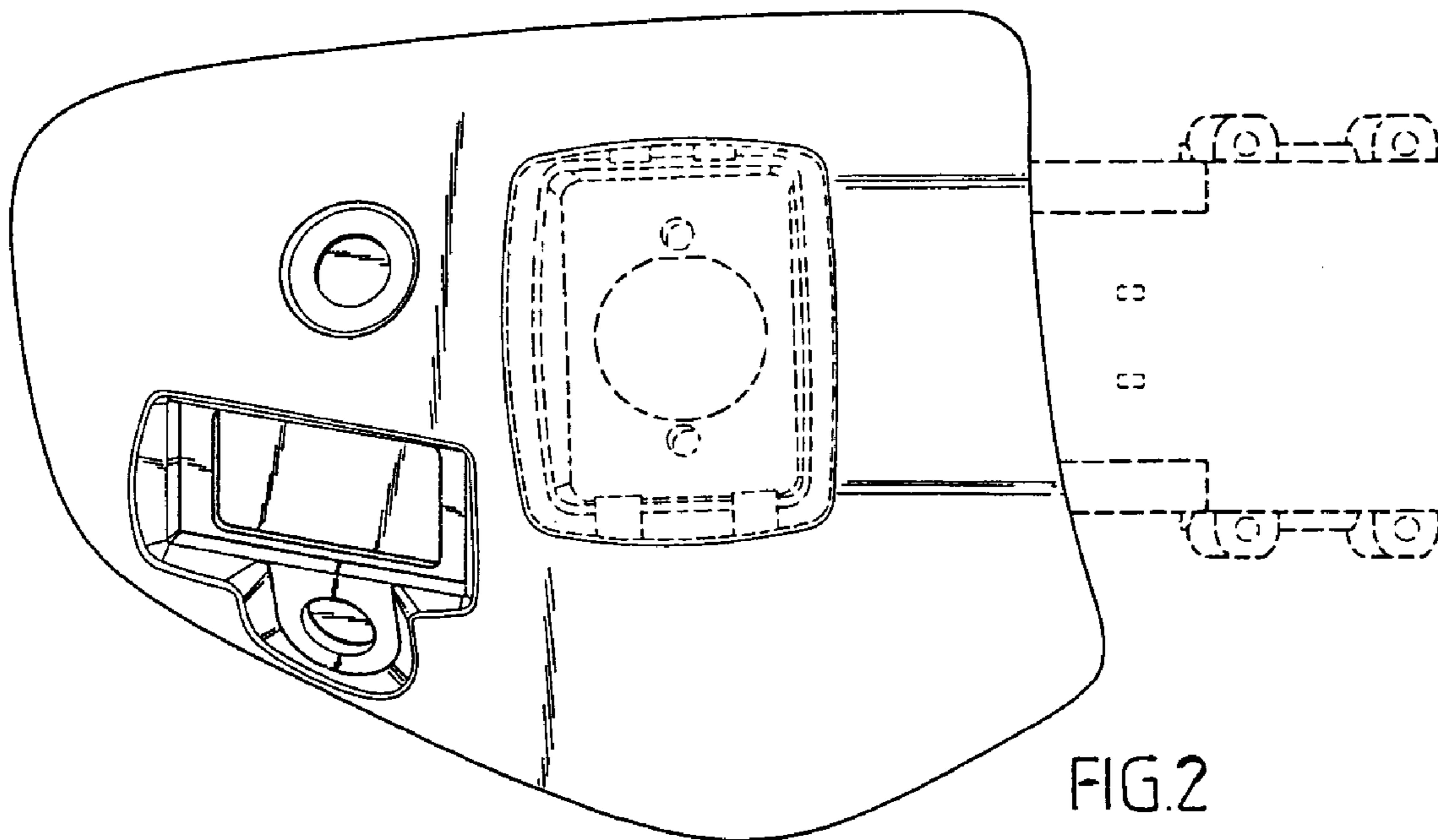


FIG. 2

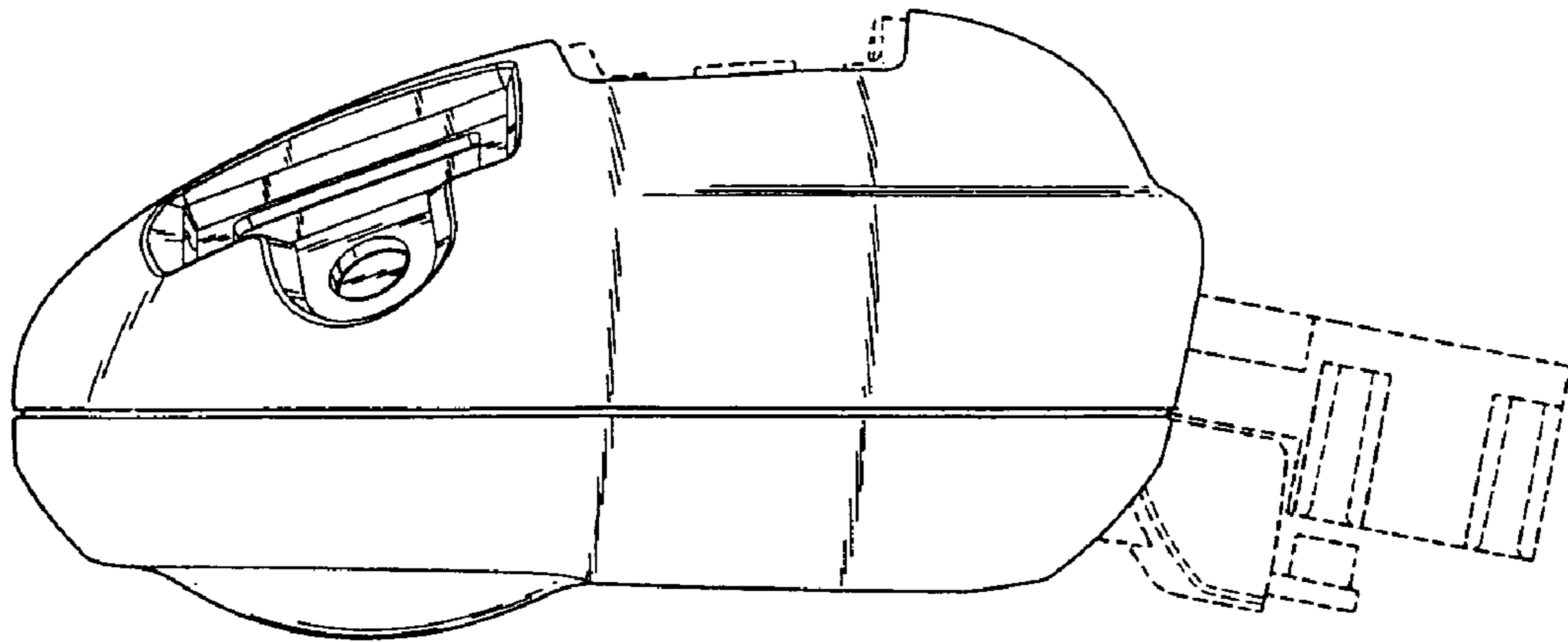


FIG. 3

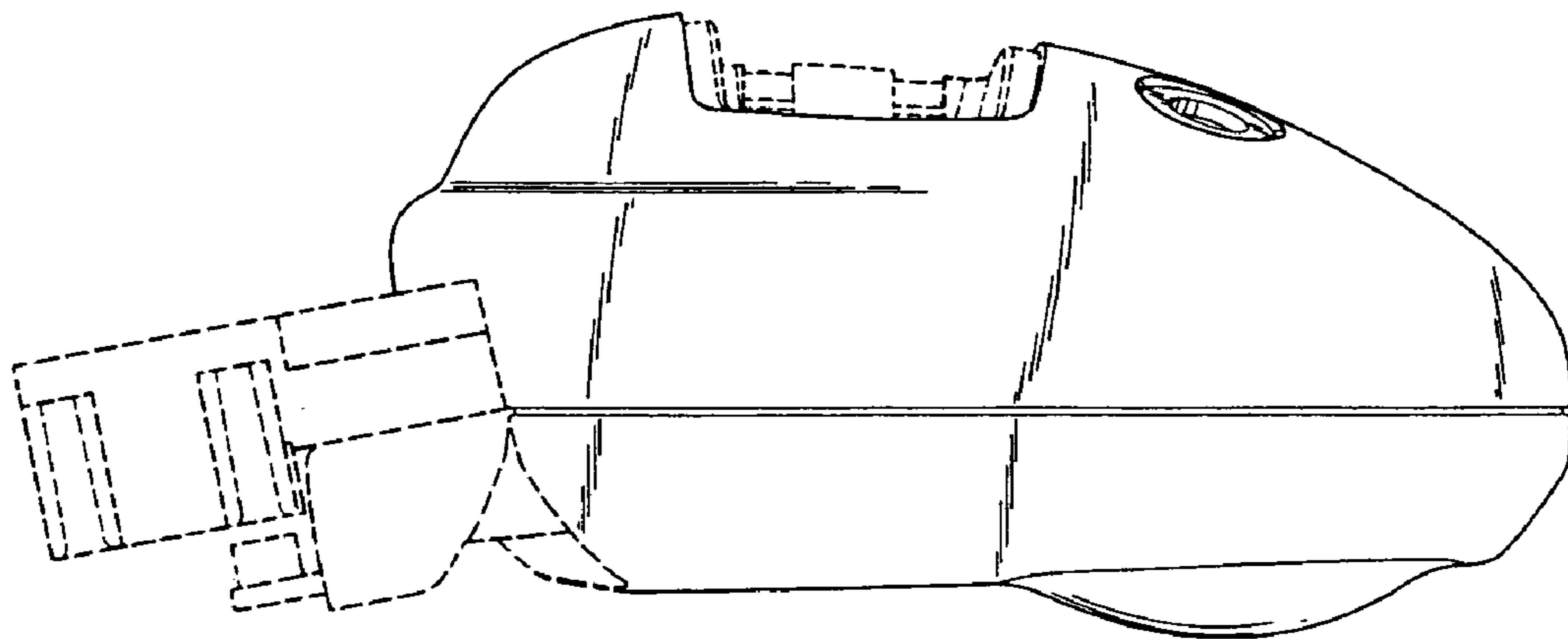


FIG. 4

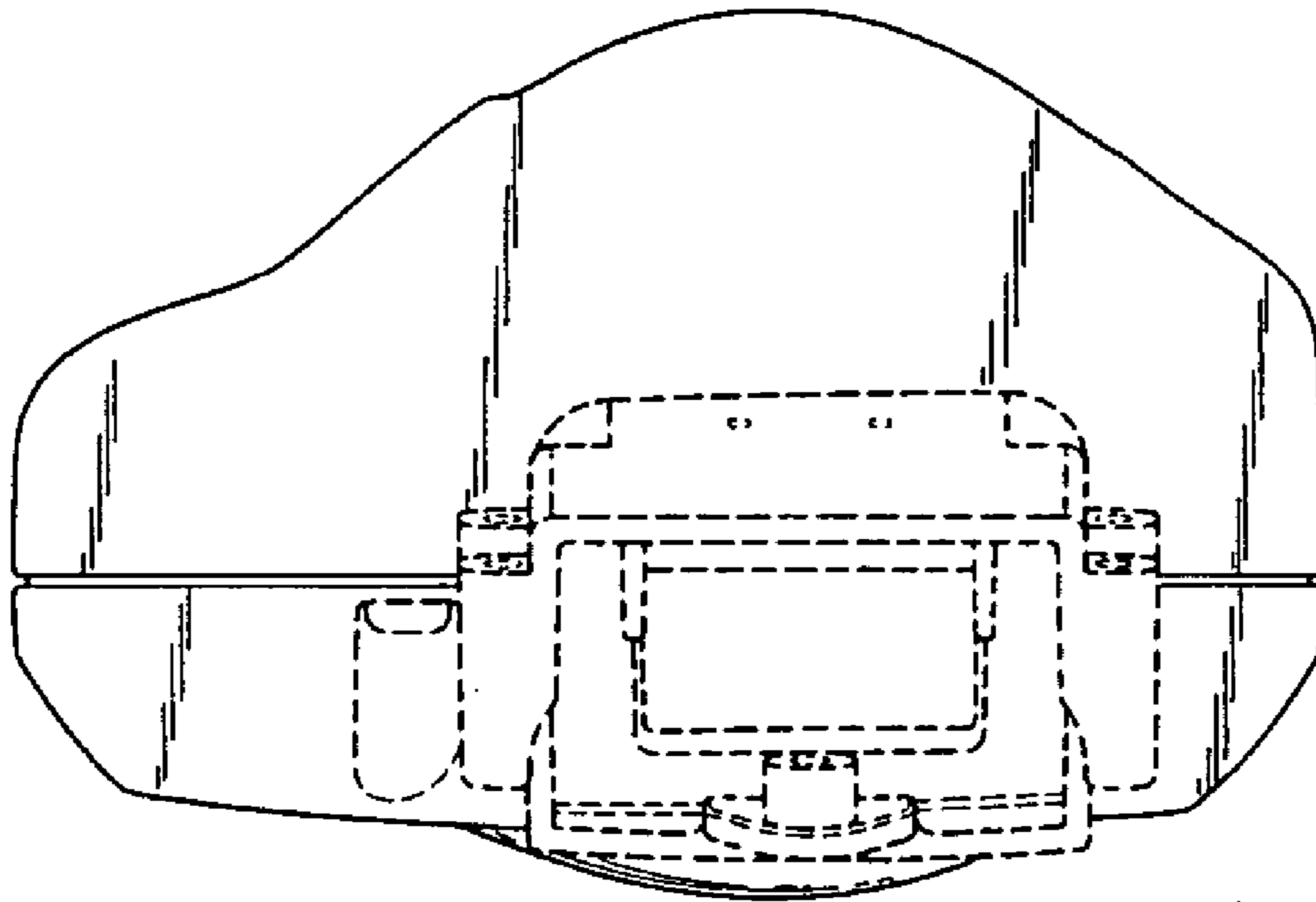


FIG. 5

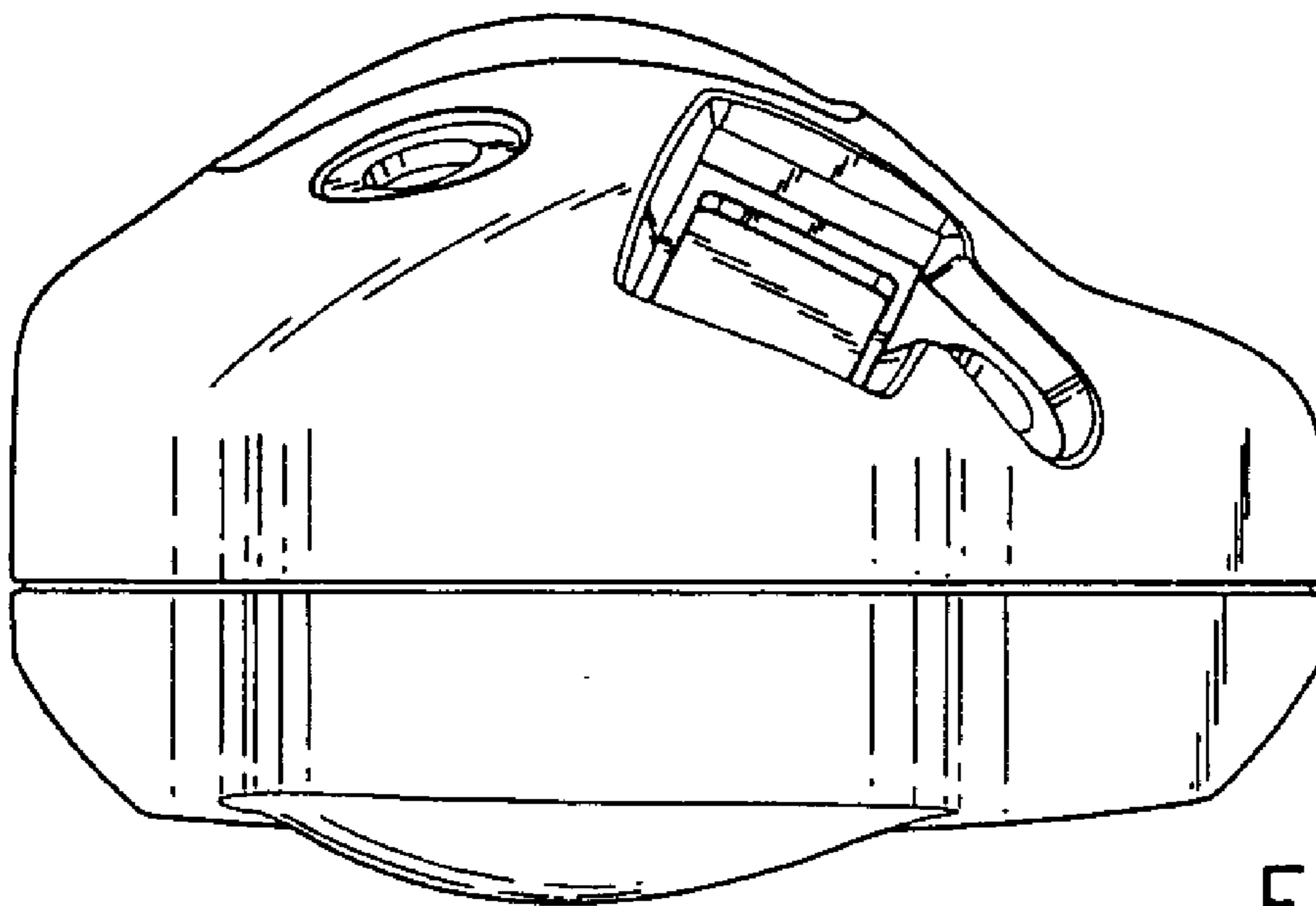


FIG. 6

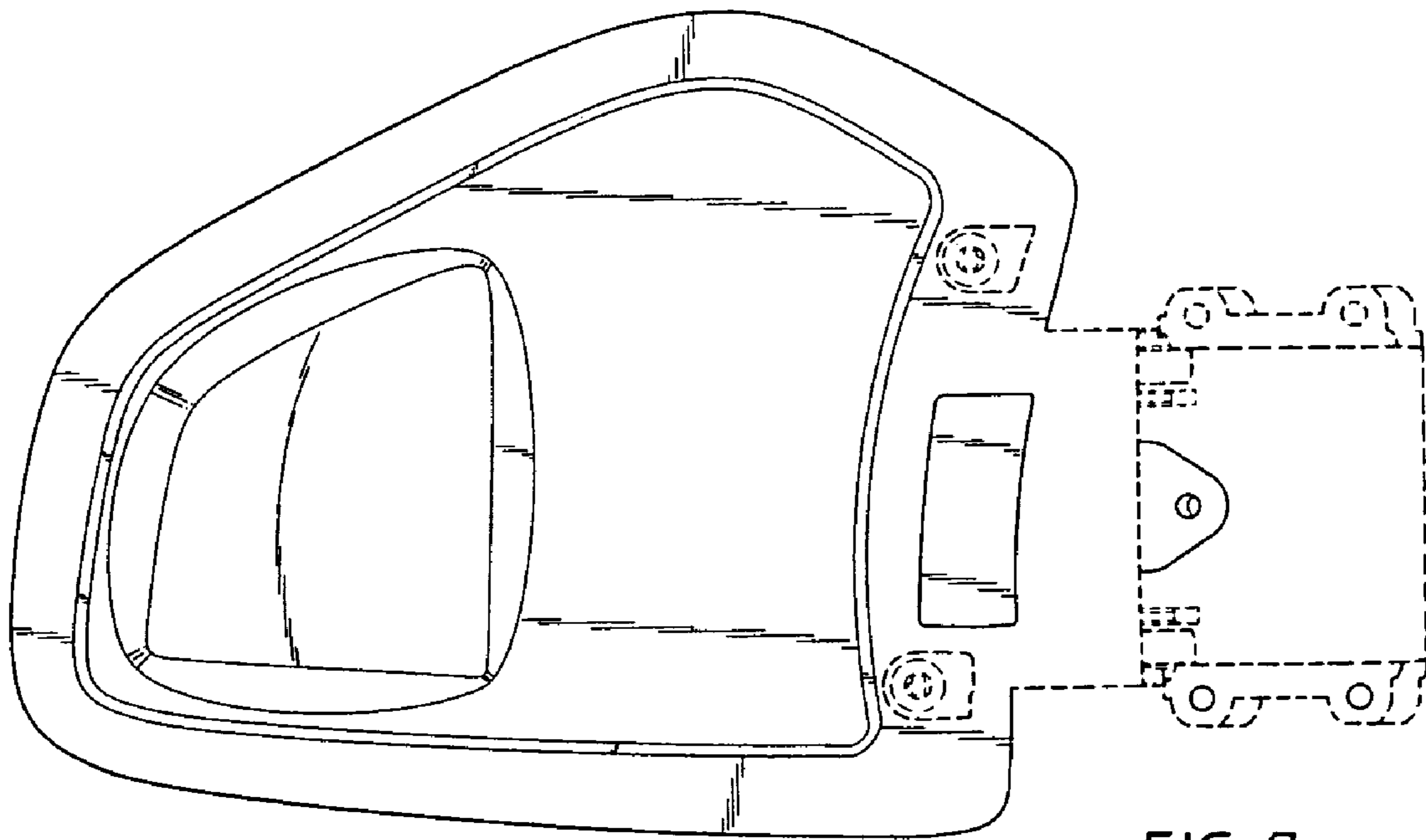


FIG. 7