



US00D544509S

(12) **United States Design Patent**
Tiller et al.

(10) **Patent No.: US D544,509 S**

(45) **Date of Patent: ** Jun. 12, 2007**

(54) **GEAR COVER**

(75) Inventors: **Timothy T. Tiller**, Blue River, WI (US); **Mark W. Bender**, Soldiers Grove, WI (US)

(73) Assignee: **S&S Cycle, Inc.**, Viola, WI (US)

(**) Term: **14 Years**

(21) Appl. No.: **29/239,699**

(22) Filed: **Sep. 30, 2005**

(51) **LOC (8) Cl.** **15-09**

(52) **U.S. Cl.** **D15/148; D12/126**

(58) **Field of Classification Search** D12/126;
D15/5, 148; 74/606 R; 123/41.86, 143 C,
123/195 C, 198 E, 432

See application file for complete search history.

(56) **References Cited**

U.S. PATENT DOCUMENTS

- D155,741 S * 10/1949 Sherman D15/5
- 4,550,698 A 11/1985 Konneker
- 4,606,310 A 8/1986 Makino
- 4,688,523 A 8/1987 Takahashi et al.
- 4,690,236 A 9/1987 Shinozaki et al.
- 4,703,724 A 11/1987 Candea et al.
- 4,736,809 A 4/1988 Kumazawa
- 5,025,673 A 6/1991 Yamada
- 5,070,830 A 12/1991 Malven et al.
- 5,092,292 A 3/1992 Iguchi et al.
- 5,295,463 A 3/1994 Wenger et al.
- 5,485,101 A 1/1996 Hynes
- 5,495,833 A 3/1996 Ishizaka et al.
- 5,555,856 A 9/1996 Bauer et al.
- D411,489 S * 6/1999 Davidson et al. D12/126
- 5,937,817 A 8/1999 Schanz et al.
- D417,640 S * 12/1999 Netz D12/126
- D422,537 S * 4/2000 Pink D12/126
- 6,047,667 A 4/2000 Leppanen et al.
- 6,085,855 A 7/2000 Schanz et al.
- 6,241,040 B1 6/2001 Schanz et al.
- D492,224 S * 6/2004 Bailey et al. D12/126
- D514,124 S * 1/2006 Francis D15/5

- D525,268 S * 7/2006 Stahel et al. D15/5
- D528,478 S * 9/2006 Busse et al. D12/126
- 2004/0099076 A1 * 5/2004 Haskin et al. 74/425
- 2005/0097984 A1 * 5/2005 Davis et al. 74/606 R

FOREIGN PATENT DOCUMENTS

- DE 1213164 3/1966
- DE 1225061 9/1966

OTHER PUBLICATIONS

Vulcan USA, "Billet Pro Series II #3863," Date Unknown. 2 pages.
 Biker's Choice, "Biker's Choice 2002 Handbook—Quality Apparel
 And Accessories For The American Motorcycle Experience," 2002,
 6 pages.
 Custom Chrome/Chrome Specialties, "Custom Chrome Chrome
 Specialties World's Finest Products For Harley-Davidson 2003,"
 2003, 3 pages.

(Continued)

Primary Examiner—Antoine D. Davis
Assistant Examiner—Patricia Palasik
 (74) *Attorney, Agent, or Firm*—Price, Heneveld, Cooper,
 DeWitt & Litton, LLP

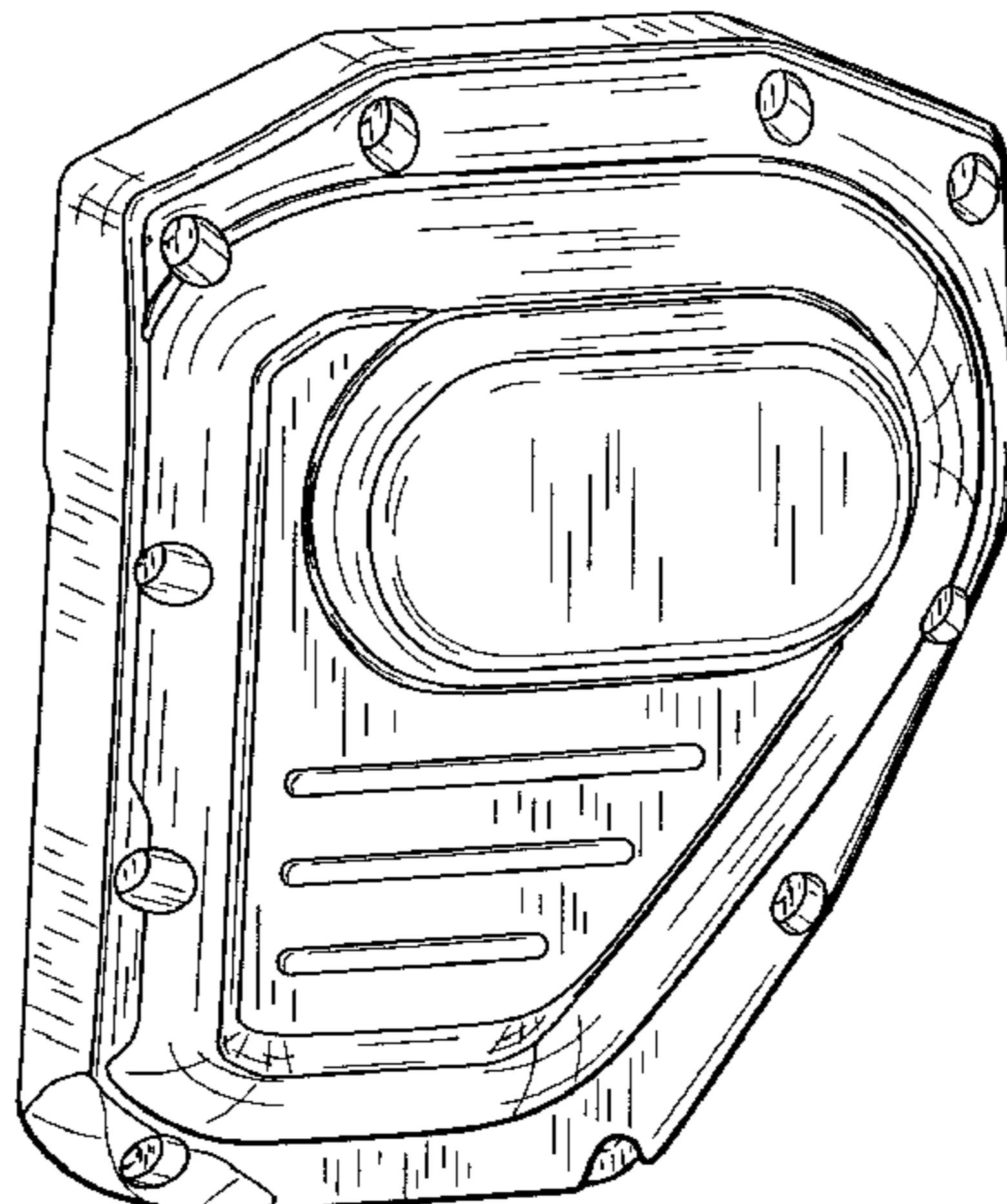
(57) **CLAIM**

The ornamental design for a gear cover, as shown and described.

DESCRIPTION

FIG. 1 is a perspective view of a gear cover, showing our new design;
 FIG. 2 is a perspective view taken from an opposite side thereof;
 FIG. 3 is a left-hand side elevational view;
 FIG. 4 is a front elevational view;
 FIG. 5 is a right-hand side elevational view;
 FIG. 6 is a top plan view; and,
 FIG. 7 is a bottom plan view thereof.

1 Claim, 3 Drawing Sheets



OTHER PUBLICATIONS

Netbikes Motorcycle, "Vintage Motorcycle Road Tests Royal Enfield Meteor Minor De Luxe," www.netbikes.com.au, Before Aug. 2000, 5 pages, Internet.

Custom Chrome, "For Softtail Models," Custom Chrome Catalog, 1994, p. 170.

Unknown, "Transmission Housing and Transmission Housing & Oil Tank-Flt," 1340 Models Parts Catalog, 1993 and 1994, pp. 44 & 48.

Harley-Davidson, "Transmission Case/Oil Pan," Flt Models Harley-Davidson 1995-1996 Official Factory Manual, 1995-1996, 3 pages.

AJS Motorcycles Ltd, "Stormer Motocross," Y4 Engine 250cc & Gearbox, and related photos and drawings, Date Unknown, 12 pages.

V-Twin Manufacturing Brand Products, "2003 Uniquely V-Twin Manufacturing Product Reference Guide," 2003, 4 pages.

Feuling Motor Company, "2005 Catalogue Drag Specialties Power Twins," 2005, 4 pages.

J&P Cycles, "J&P Cycles Keeping The World On 2 Wheels 2005 Parts & Accessories For Harley-Davidson Motorcycles 1936-2005," 2005, 6 pages.

W&W World Wide Cycles, "Eat Dust-Serious Parts For Serious Harley Riders," 2005 edition, 2005, 4 pages.

Feuling Motor Company, "Feuling Super Pump-The Ultimate Oil Pump For Twin Cam Engines," Date Unknown, 2 pages.

* cited by examiner

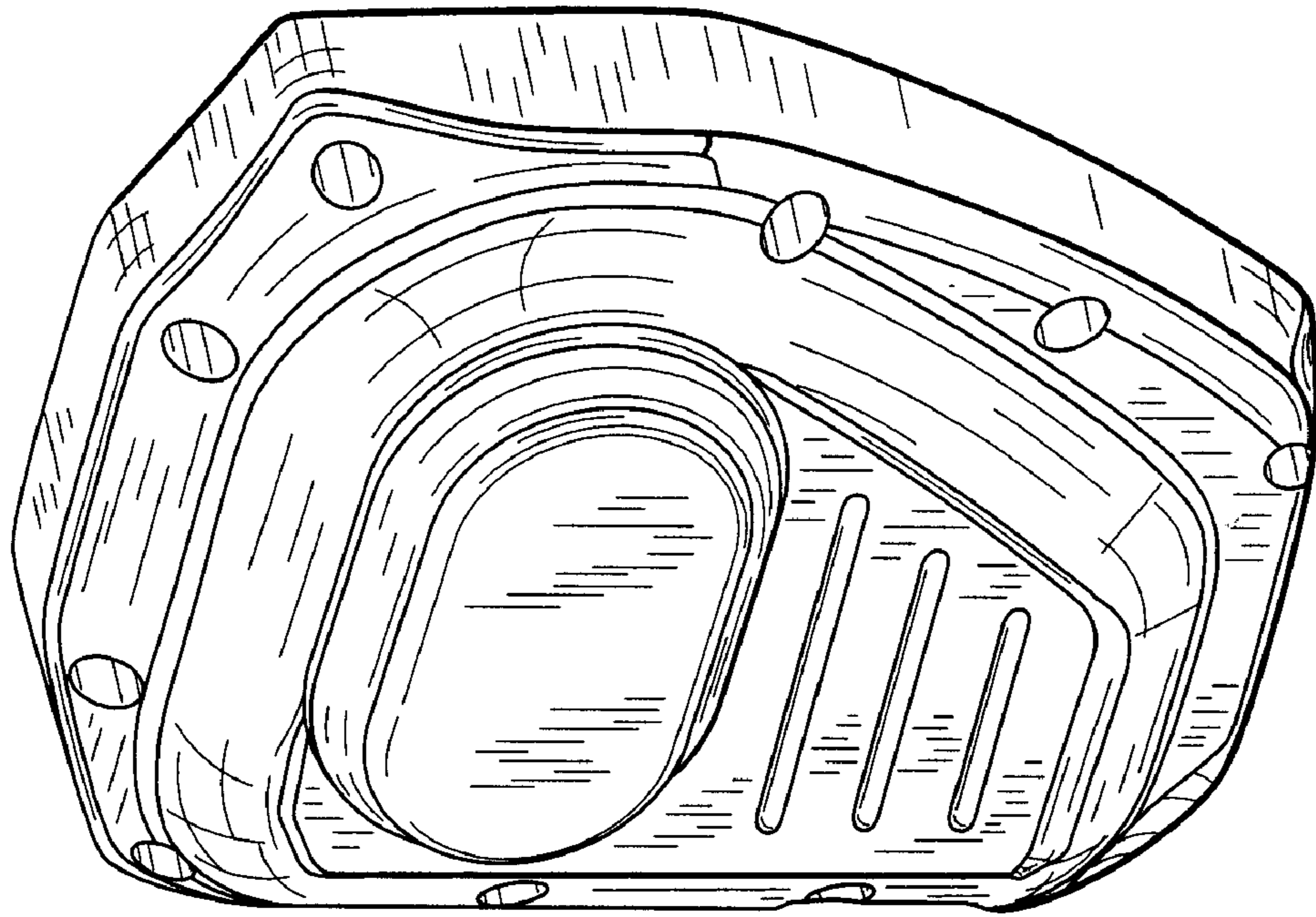


FIG. 2

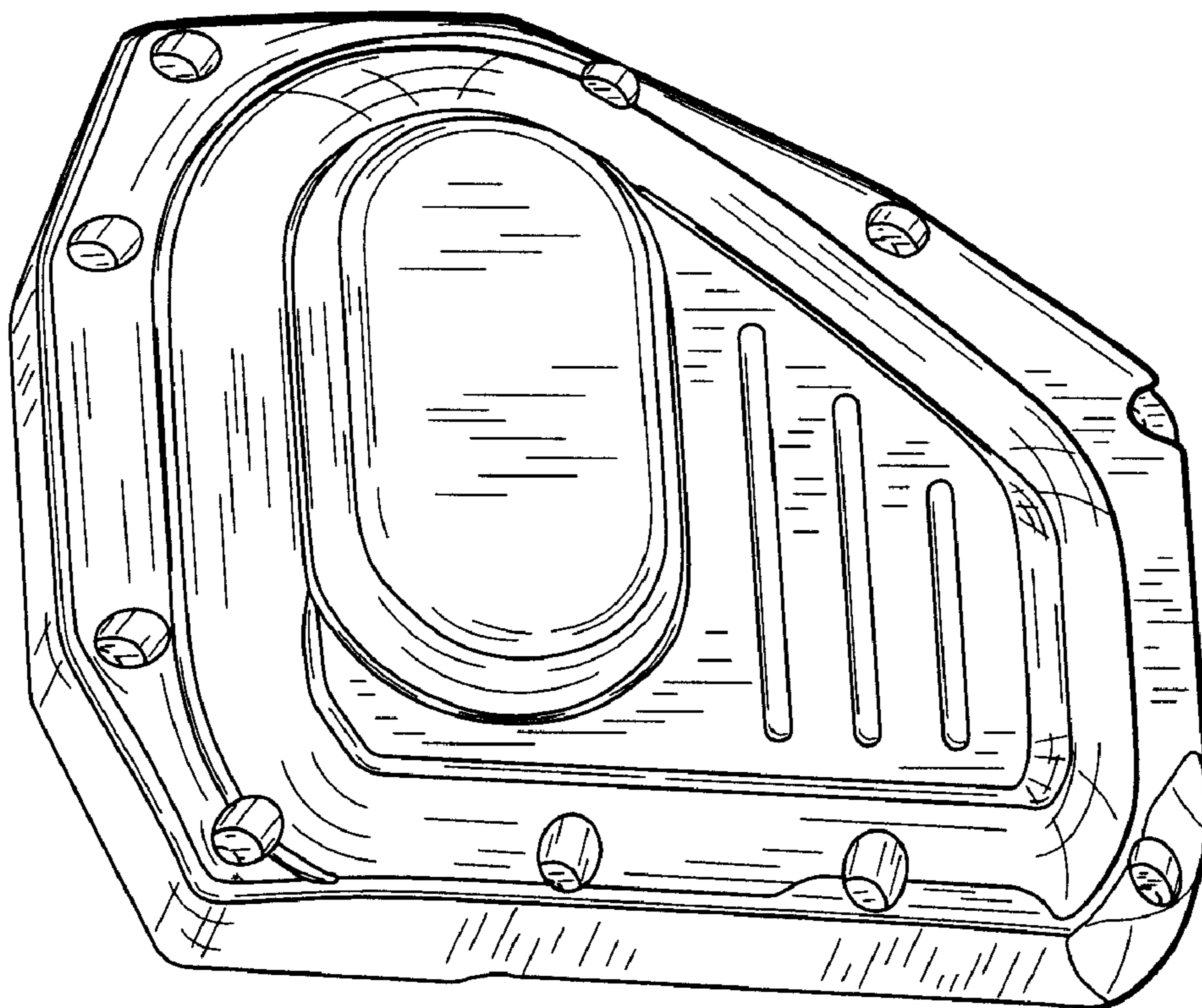


FIG. 1

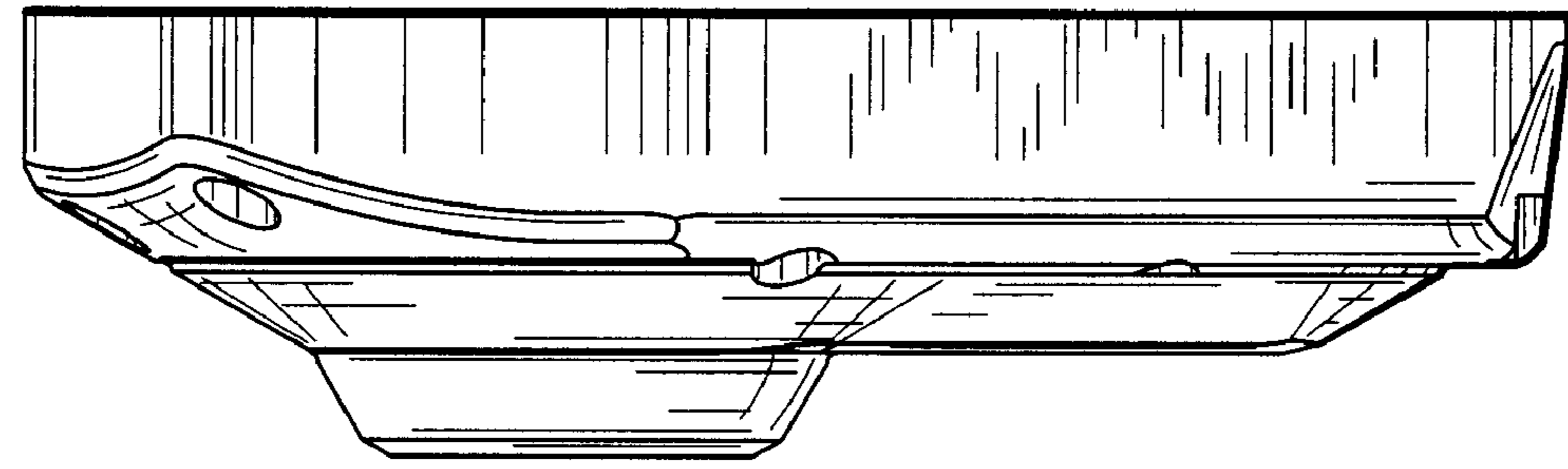


FIG. 5

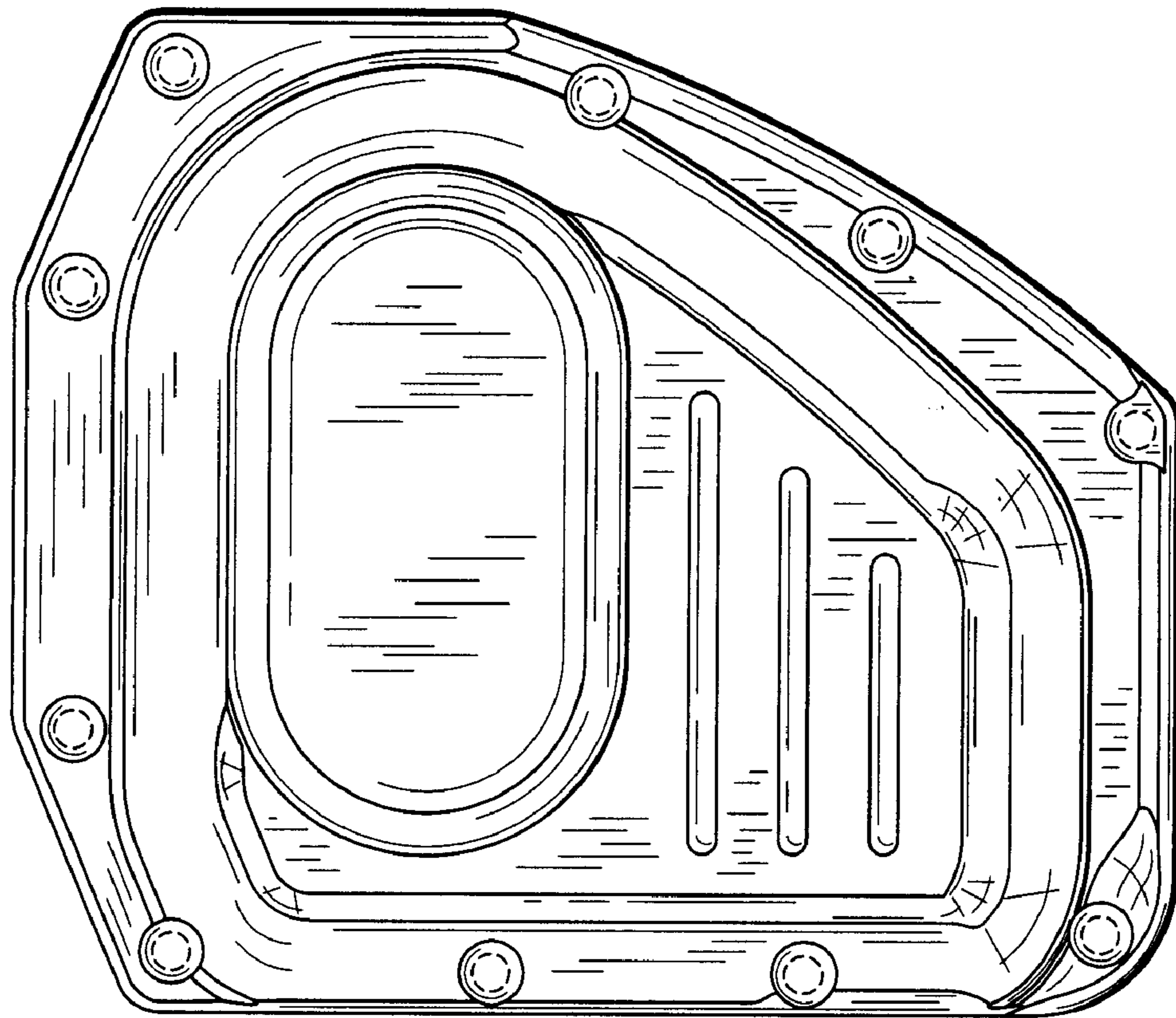


FIG. 4

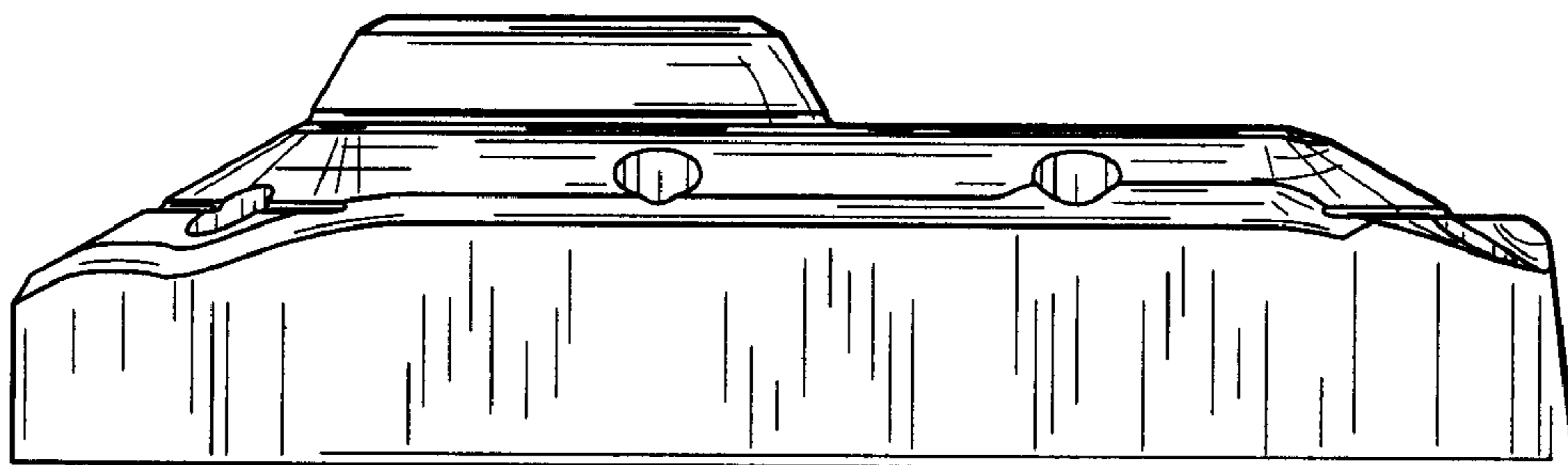


FIG. 3

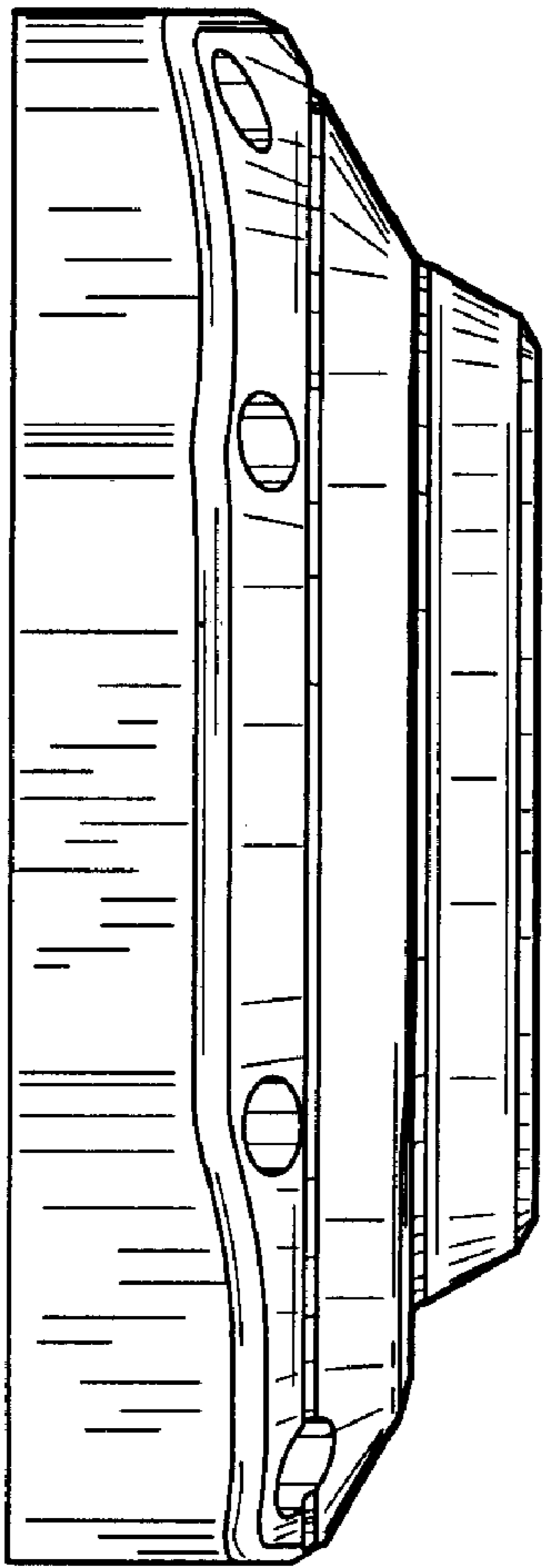


FIG. 6

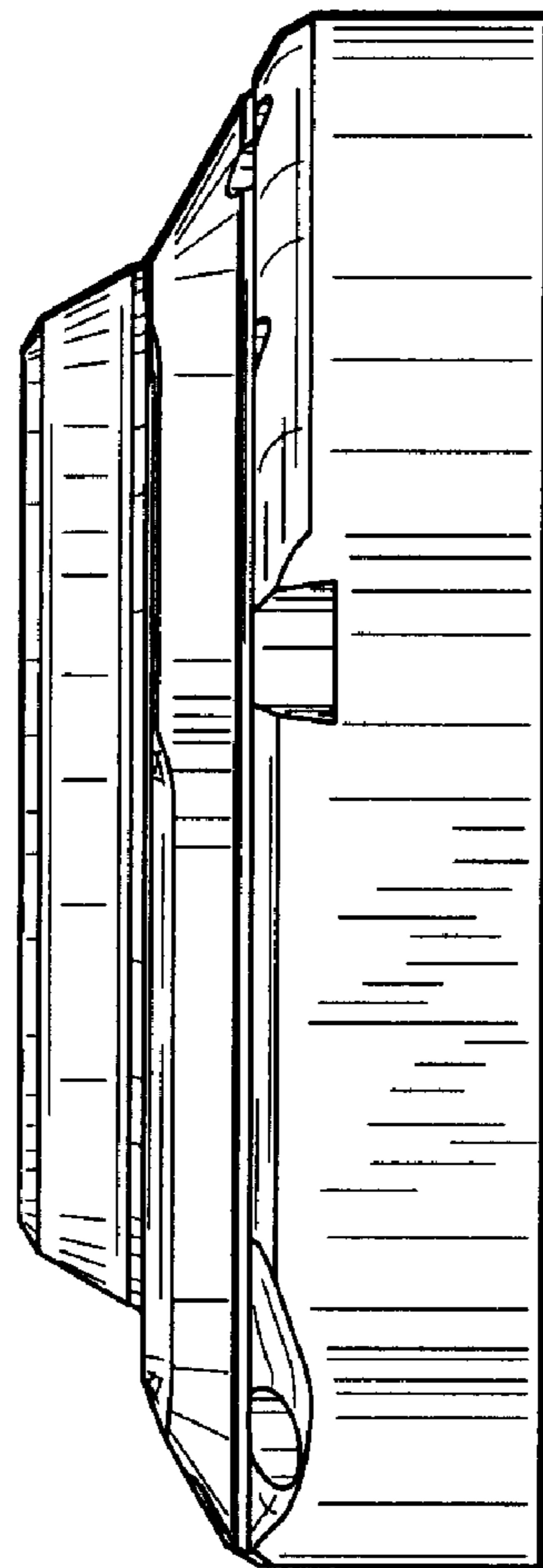


FIG. 7