

US00D544507S

(12) **United States Design Patent**
Crouch

(10) **Patent No.:** **US D544,507 S**

(45) **Date of Patent:** **** Jun. 12, 2007**

(54) **TOOL HOLDER**

(76) Inventor: **Samuel Wesley Crouch**, 705-36th St.,
Boulder, CO (US) 80303

(**) Term: **14 Years**

(21) Appl. No.: **29/265,009**

(22) Filed: **Aug. 23, 2006**

Related U.S. Application Data

(63) Continuation of application No. 10/872,611, filed on Jun. 21,
2004, now abandoned.

(51) **LOC (8) Cl.** **15-09**

(52) **U.S. Cl.** **D15/140**

(58) **Field of Classification Search** D8/68,
D8/70; D15/131, 138, 140; 279/43.2, 46.3,
279/53, 60-66, 140, 902; 408/240; 409/231,
409/233, 234

See application file for complete search history.

(56) **References Cited**

U.S. PATENT DOCUMENTS

684,903	A	*	10/1901	Barker	279/78
924,388	A	*	6/1909	Simmons	279/60
1,113,752	A	*	10/1914	Campbell	279/53
1,863,108	A	*	6/1932	Glenzer	279/46.3
2,250,237	A	*	7/1941	Schwartzkopf	30/304
2,431,118	A	*	11/1947	Heigle	279/89

2,438,797	A	*	3/1948	Bagge	81/112
2,507,872	A	*	5/1950	Unsinger	279/53
2,619,724	A	*	12/1952	Manthey et al.	279/53
2,683,931	A	*	7/1954	Fahlgren	279/48
2,935,329	A	*	5/1960	Hessler	279/46.3
3,549,159	A	*	12/1970	Kroener	279/53
4,215,871	A	*	8/1980	Hirsch et al.	279/48
D397,125	S	*	8/1998	Boisvert	D15/140
5,927,913	A	*	7/1999	Mizoguchi	408/238

* cited by examiner

Primary Examiner—Antoine D. Davis

Assistant Examiner—Patricia Palasik

(74) *Attorney, Agent, or Firm*—Emery L. Tracy

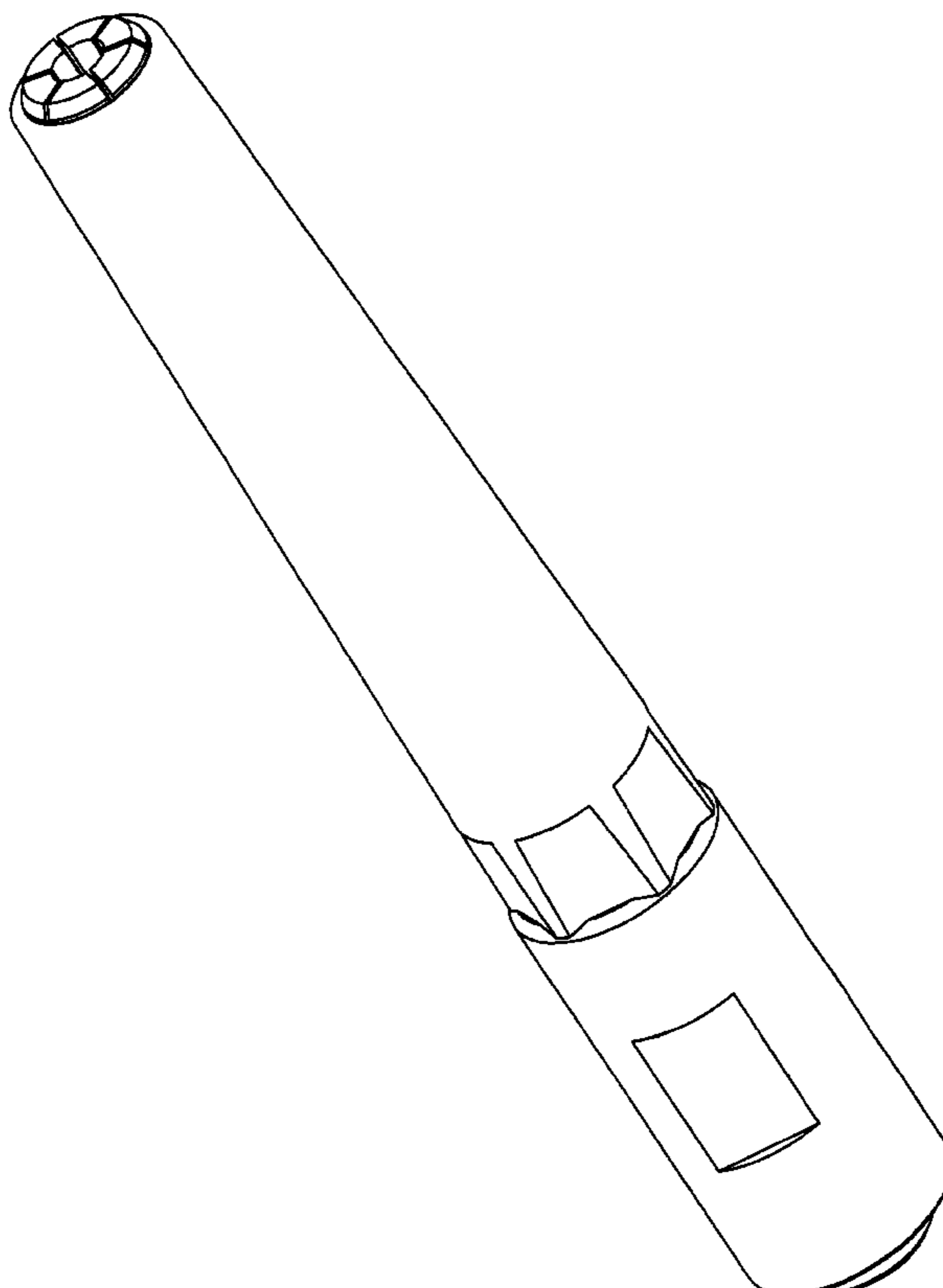
(57) **CLAIM**

The ornamental design for a tool holder, as shown and described.

DESCRIPTION

FIG. 1 is a perspective view illustrating a tool holder;
FIG. 2 is another perspective view illustrating the tool holder
of FIG. 1;
FIG. 3 is a side view illustrating the tool holder of FIG. 1;
FIG. 4 is a side view illustrating the tool holder of FIG. 1;
FIG. 5 is a top view illustrating the tool holder of FIG. 1;
and,
FIG. 6 is a bottom view illustrating the tool holder of FIG.
1.

1 Claim, 6 Drawing Sheets



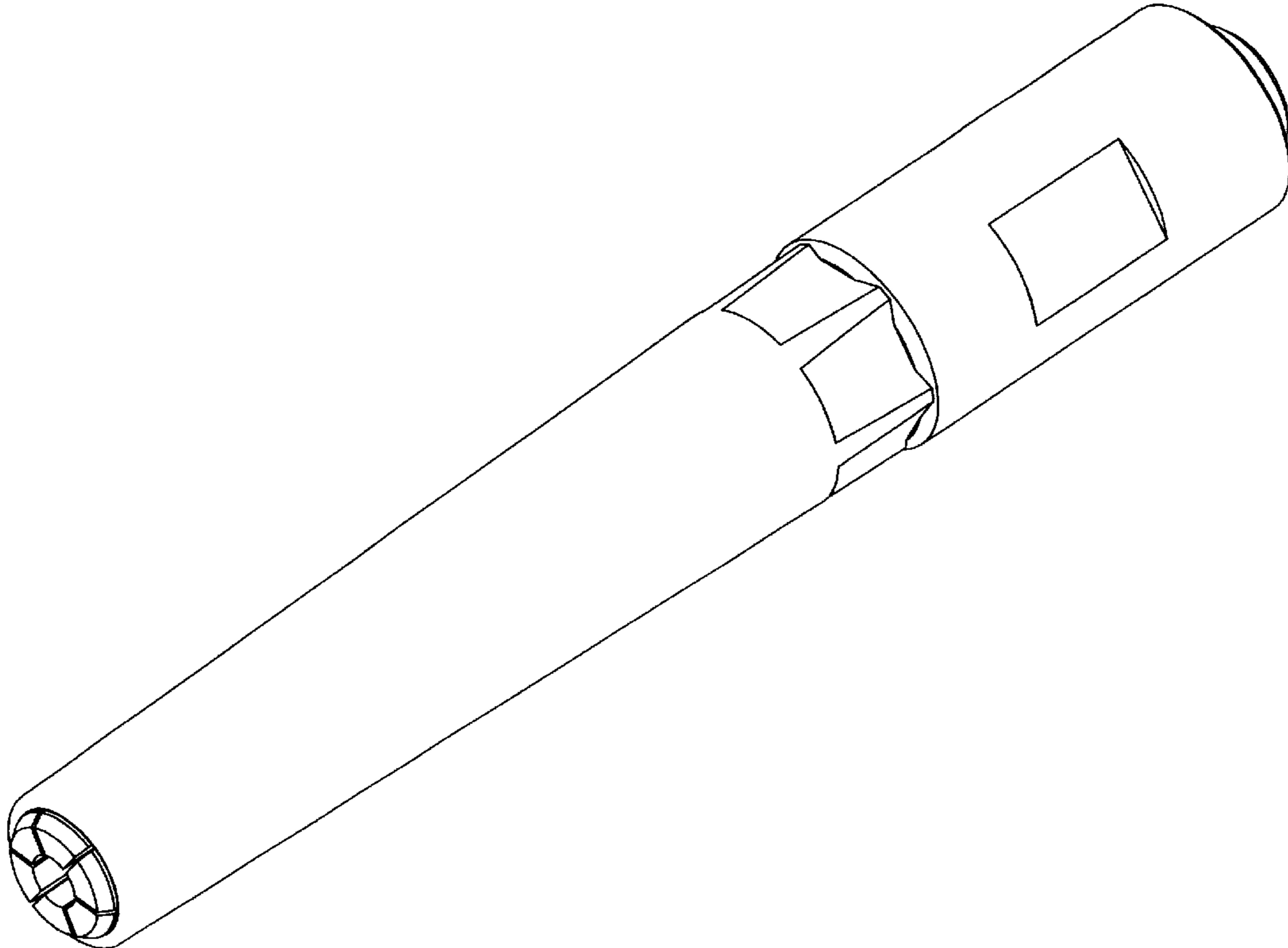


Fig. 1

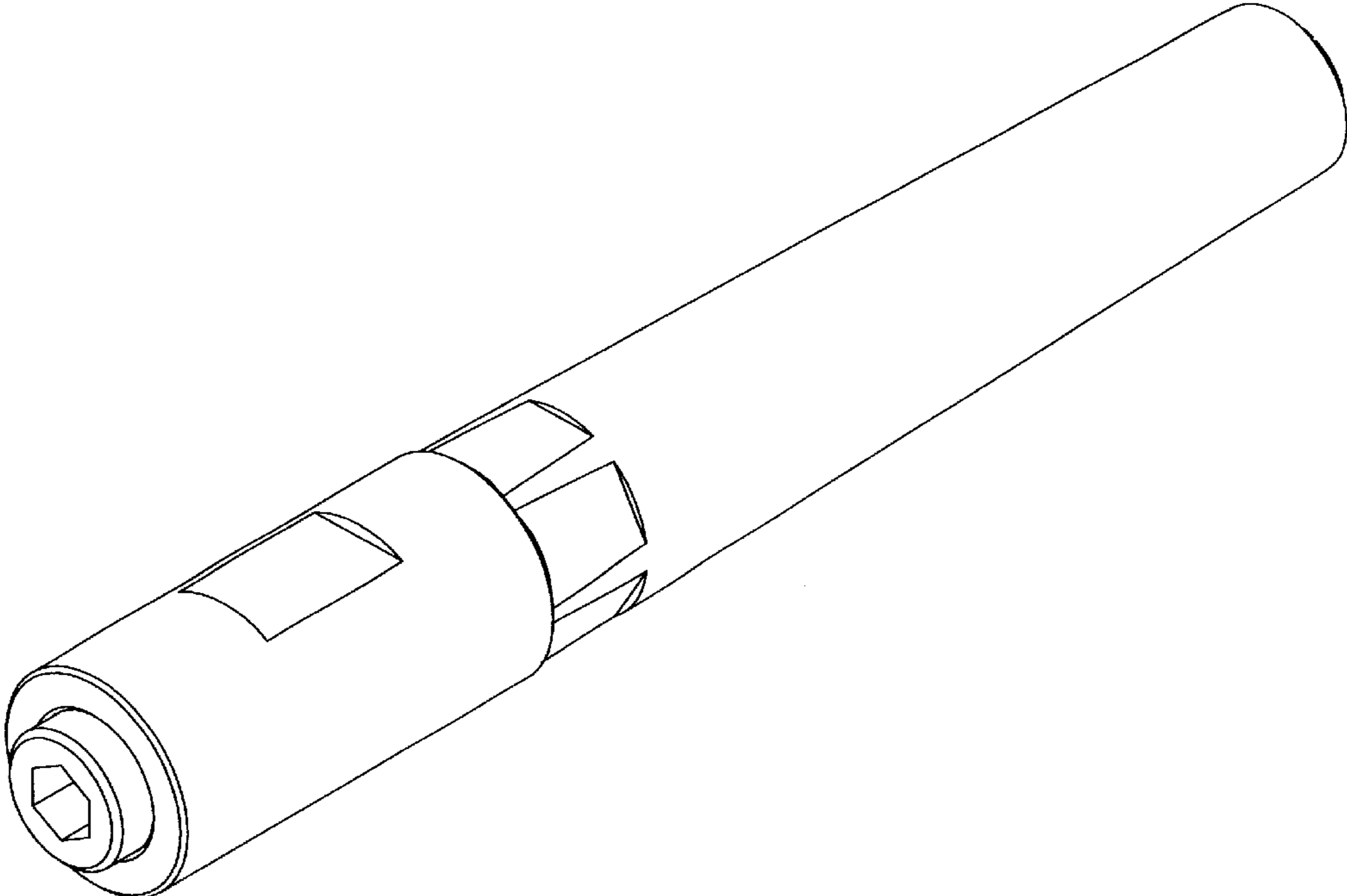


Fig. 2

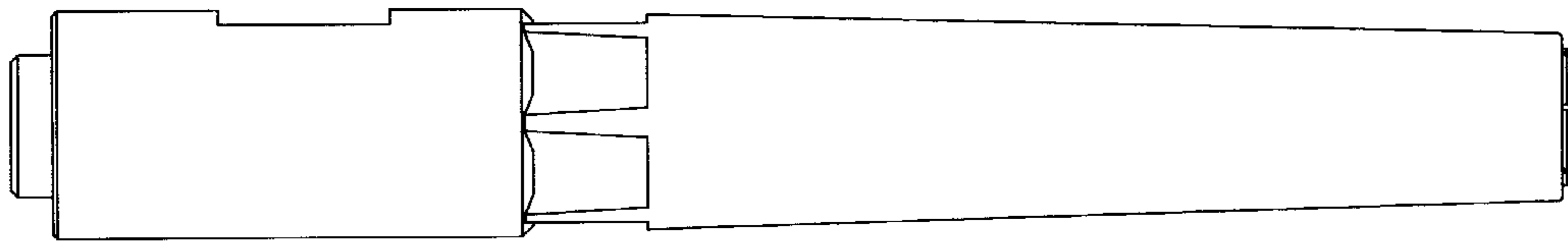


Fig. 3

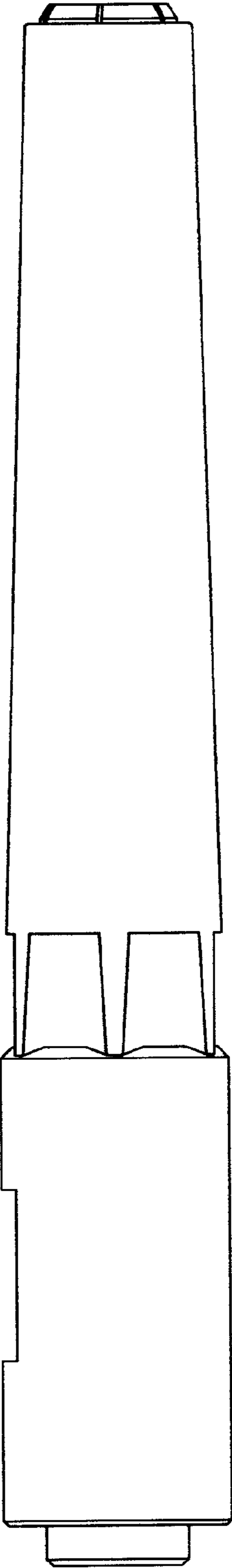


Fig. 4

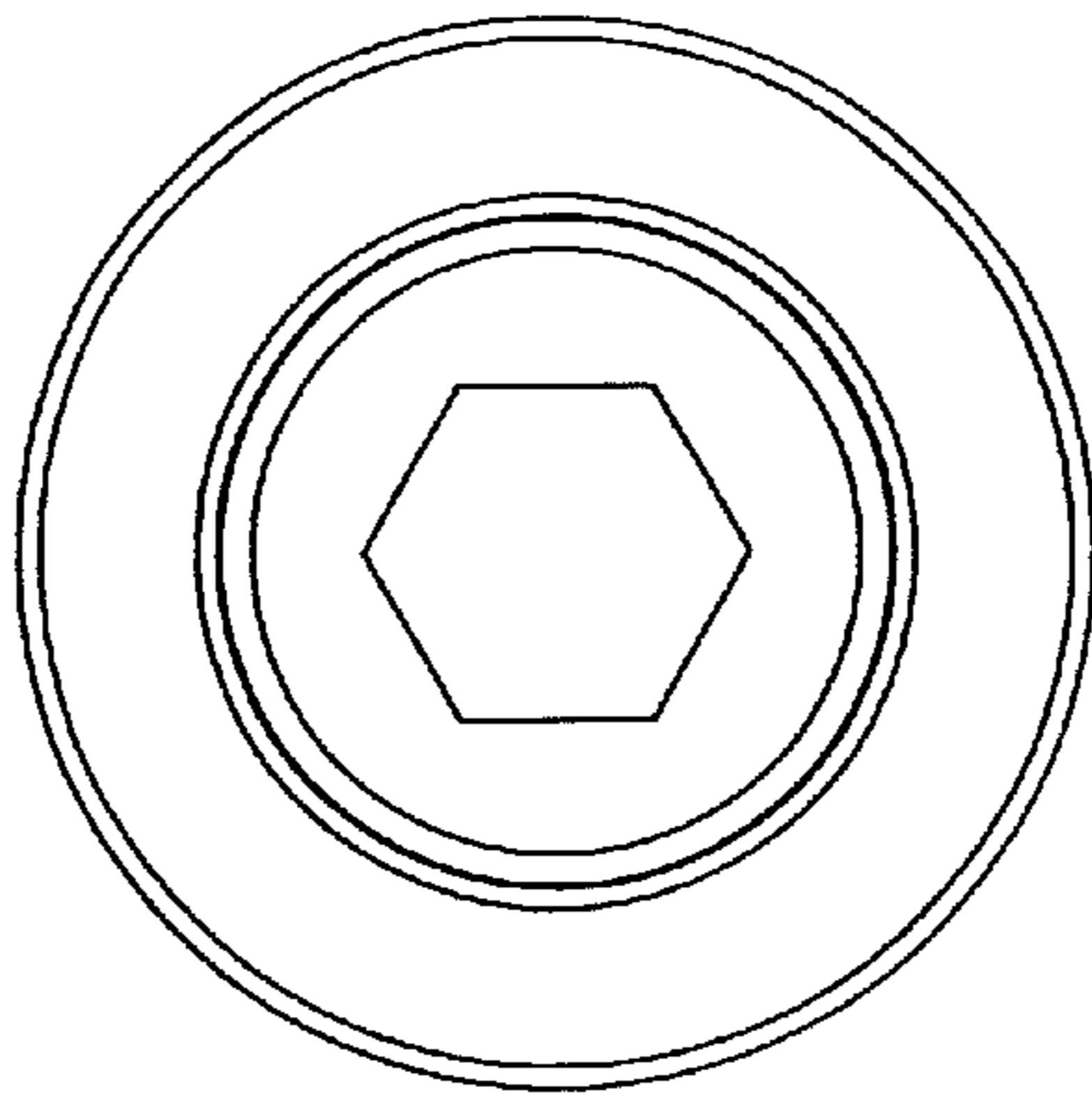


Fig. 5

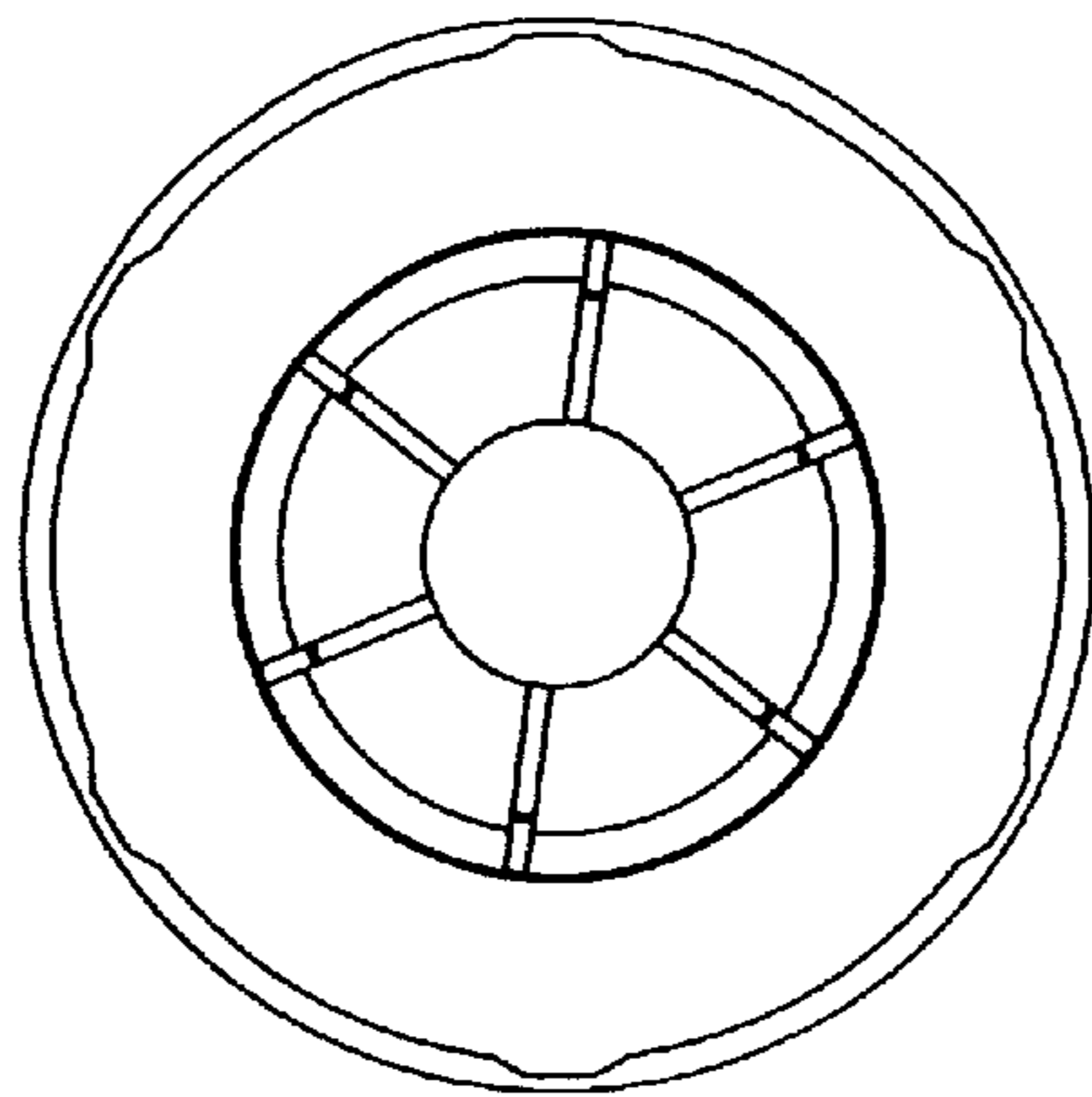


Fig. 6