

US00D544505S

(12) **United States Design Patent**  
**VanderBurgh et al.**

(10) **Patent No.:** **US D544,505 S**

(45) **Date of Patent:** **\*\* Jun. 12, 2007**

(54) **LOG SPLITTER BEAM**

2005/0284541 A1\* 12/2005 Walker et al. .... 144/193.2  
2007/0000975 A1\* 1/2007 Paradise ..... 228/182

(75) Inventors: **Steve VanderBurgh**, Golden, CO (US);  
**Rob Pringle**, Denver, CO (US); **Randy Toler**, Littleton, CO (US)

\* cited by examiner

(73) Assignee: **Special Products Co.**, Golden, CO (US)

*Primary Examiner*—Antoine D. Davis

*Assistant Examiner*—Patricia Palasik

(74) *Attorney, Agent, or Firm*—Sheridan Ross P.C.

(\*\*) Term: **14 Years**

(57) **CLAIM**

(21) Appl. No.: **29/252,175**

The ornamental design for a log splitter beam, as shown and described.

(22) Filed: **Jan. 18, 2006**

(51) **LOC (8) Cl.** ..... **15-09**

(52) **U.S. Cl.** ..... **D15/127**

(58) **Field of Classification Search** ..... D15/127;  
108/12, 19; 144/193.1–195.6, 366  
See application file for complete search history.

**DESCRIPTION**

FIG. 1 is a front perspective view of a log splitter with a log splitter beam that comprises the invention, the broken lines showing environment for illustrative purposes only and forming no part of the claimed design;

FIG. 2 is a front elevation view of the log splitter beam;

FIG. 3 is a rear elevation view of the invention illustrated in FIG. 2;

FIG. 4 is a top plan view of the invention illustrated in FIG. 2;

FIG. 5 is a bottom plan view of the invention illustrated in FIG. 2;

FIG. 6 is a left elevation view of the invention illustrated in FIG. 2; and,

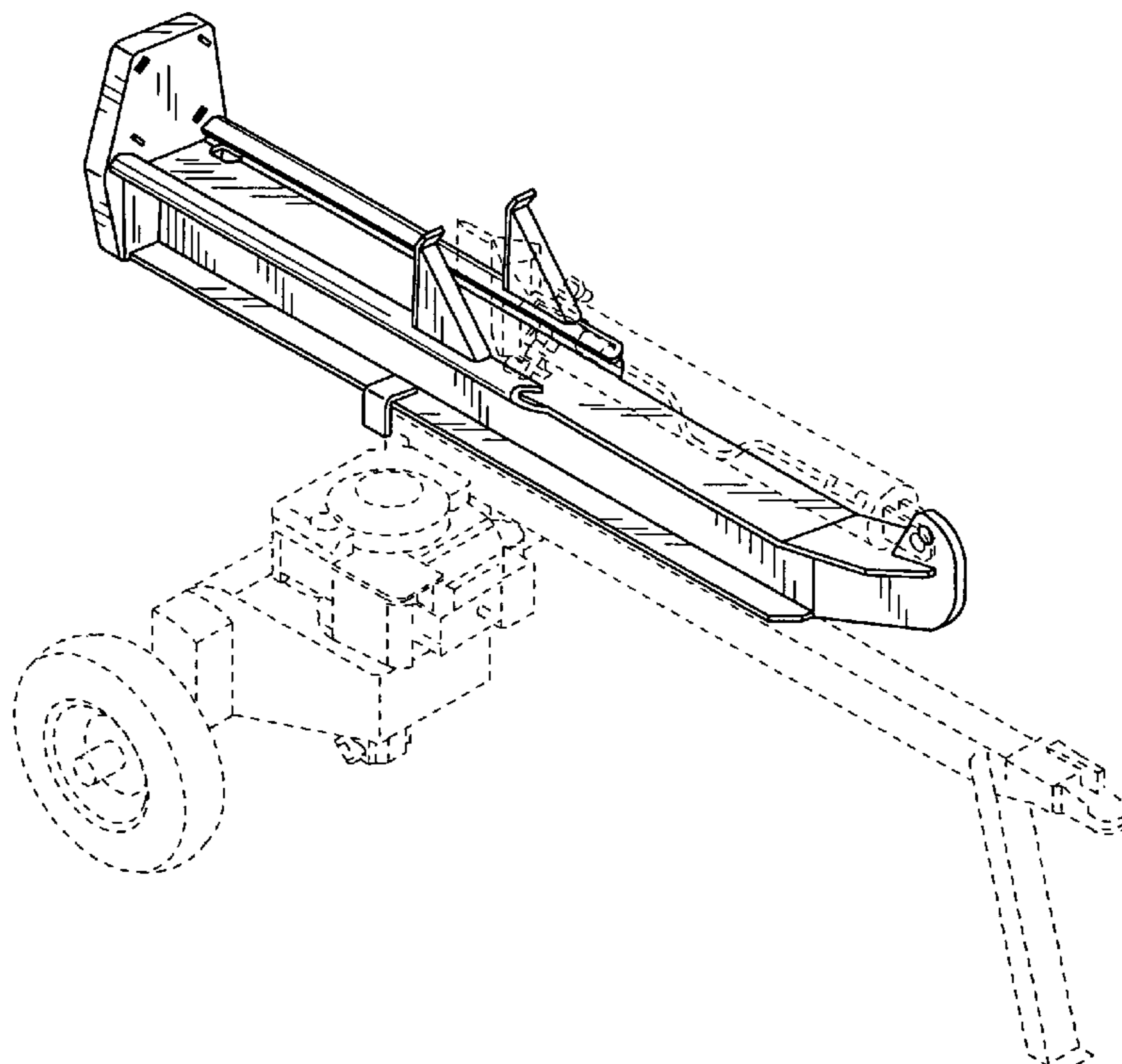
FIG. 7 is a right elevation view of the invention illustrated in FIG. 2.

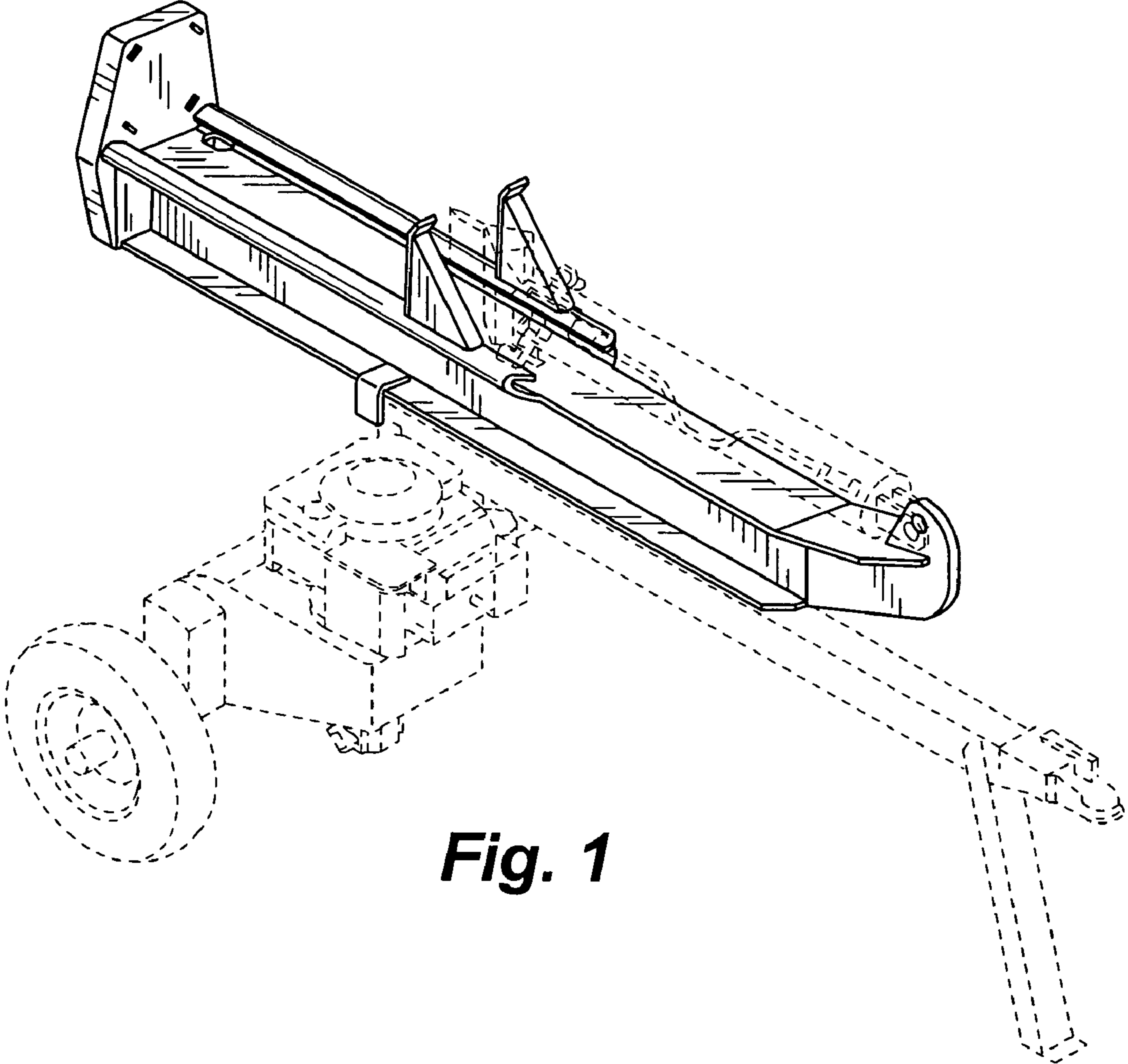
(56) **References Cited**

**U.S. PATENT DOCUMENTS**

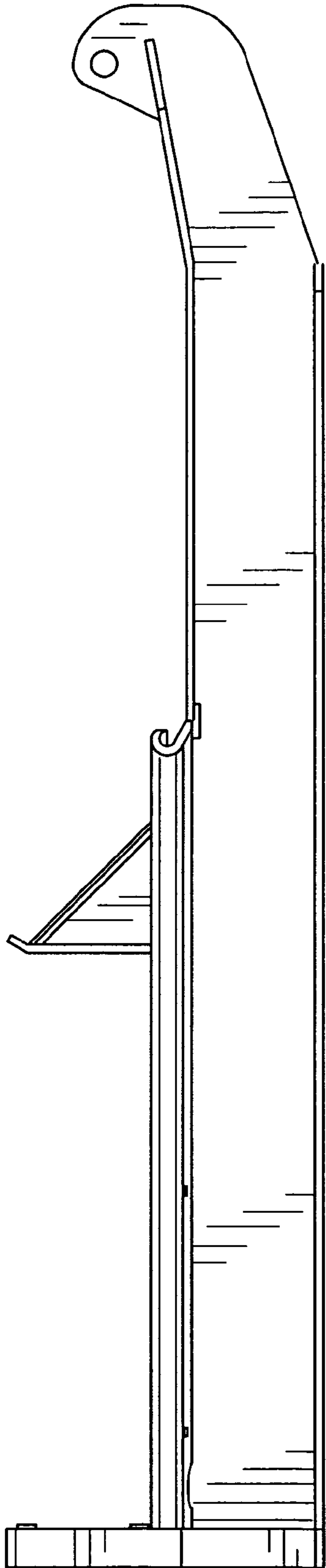
D253,654 S	12/1979	Davis	
D261,143 S *	10/1981	Green	..... D15/127
4,351,377 A *	9/1982	Hamel	..... 144/195.1
4,377,190 A	3/1983	Pierrat	
4,380,258 A	4/1983	Hanser	
4,700,759 A	10/1987	Duerr	
4,770,218 A	9/1988	Duerr	
4,782,870 A	11/1988	Duerr	
D326,665 S	6/1992	Greenburg et al.	
5,284,193 A *	2/1994	Mires et al.	..... 144/195.1
5,373,877 A *	12/1994	Chapman	..... 144/195.1
D528,570 S *	9/2006	Lewis et al.	..... D15/127

**1 Claim, 3 Drawing Sheets**

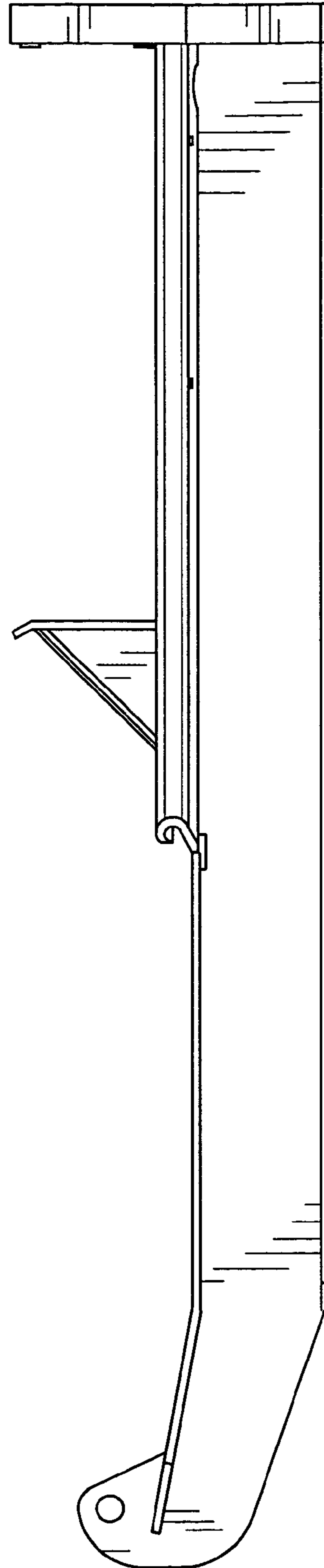




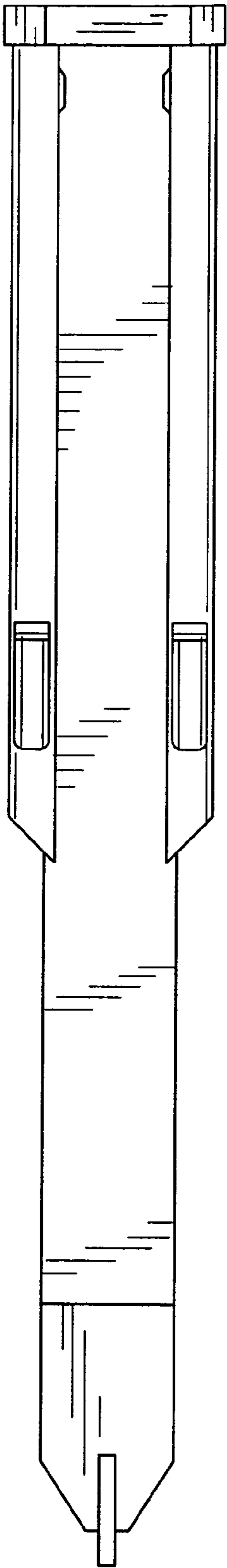
**Fig. 1**



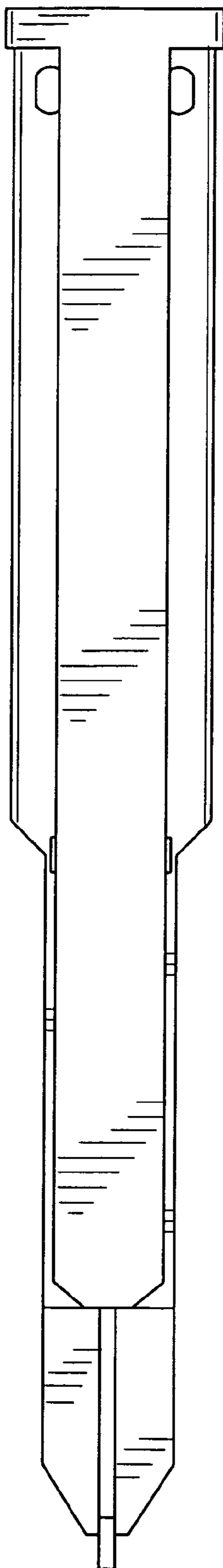
**Fig. 2**



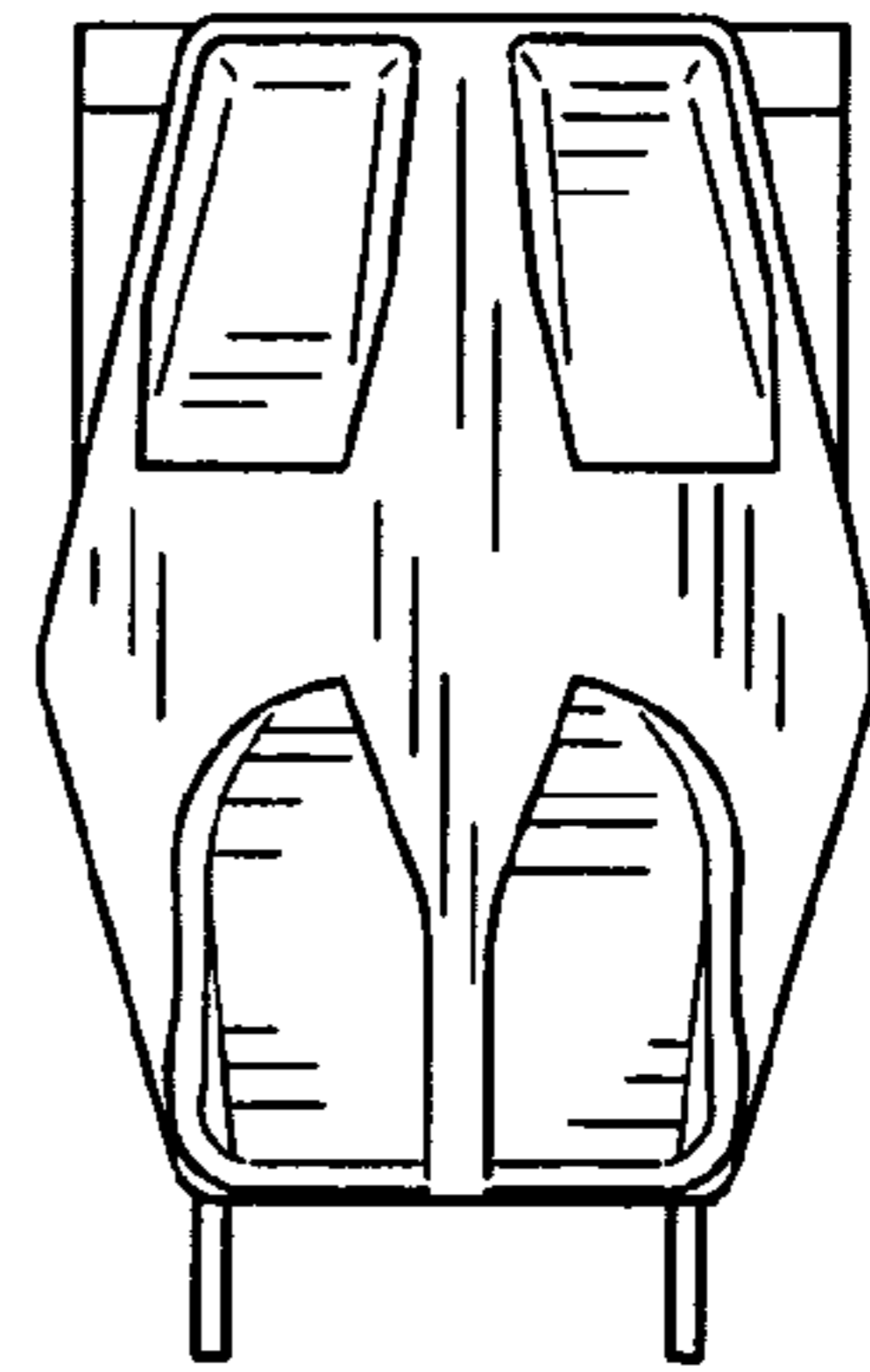
**Fig. 3**



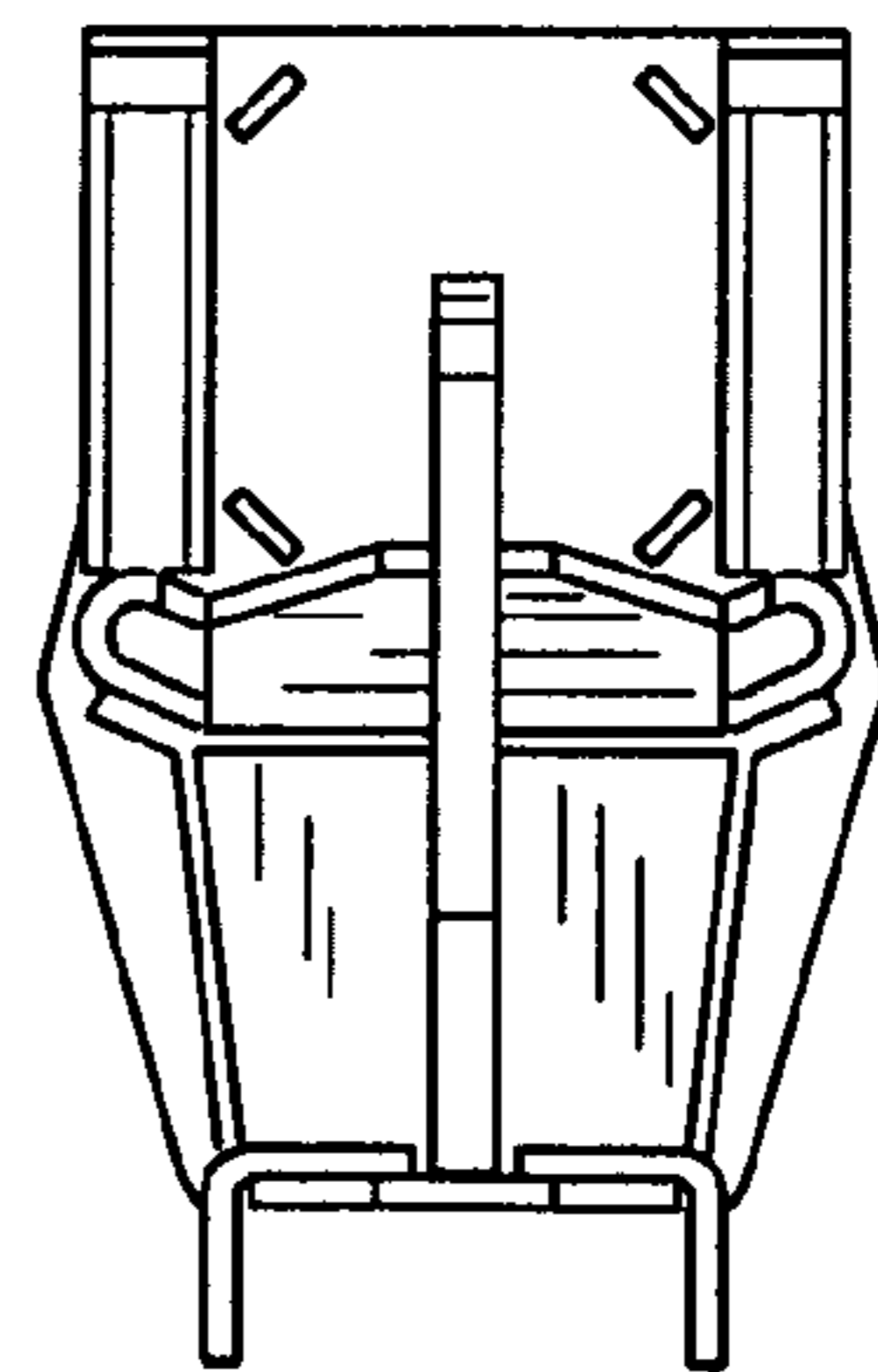
**Fig. 4**



**Fig. 5**



**Fig. 6**



**Fig. 7**