

US00D544503S

(12) **United States Design Patent**
Young

(10) **Patent No.:** **US D544,503 S**
(45) **Date of Patent:** **** Jun. 12, 2007**

- (54) **HAMMERMILL HAMMER**
- (75) Inventor: **Roger T Young**, Prophetstown, IL (US)
- (73) Assignee: **Genesis III, Inc.**, Prophetstown, IL (US)
- (**) Term: **14 Years**
- (21) Appl. No.: **29/264,253**
- (22) Filed: **Aug. 7, 2006**

2,716,526	A *	8/1955	Baker	241/197
2,721,707	A *	10/1955	Reinhardt	241/197
2,750,124	A *	6/1956	Reinhardt	241/197
2,982,486	A *	5/1961	Ehmann	241/197
3,322,356	A *	5/1967	Toews	241/197
3,549,095	A *	12/1970	Ratkowski	241/197
7,140,569	B2 *	11/2006	Young	241/195

* cited by examiner

Primary Examiner—Antoine D. Davis
Assistant Examiner—Patricia Palasik
(74) *Attorney, Agent, or Firm*—Law Office of Jay R. Hamilton, PLC

Related U.S. Application Data

- (63) Continuation of application No. 29/244,330, filed on Dec. 8, 2005.
- (51) **LOC (8) Cl.** **15-09**
- (52) **U.S. Cl.** **D15/123**
- (58) **Field of Classification Search** D15/123, D15/124; 241/73, 74, 189.1, 193–197; 214/294, 214/300
See application file for complete search history.

(57) **CLAIM**

The ornamental design for a hammermill hammer, as shown and described.

DESCRIPTION

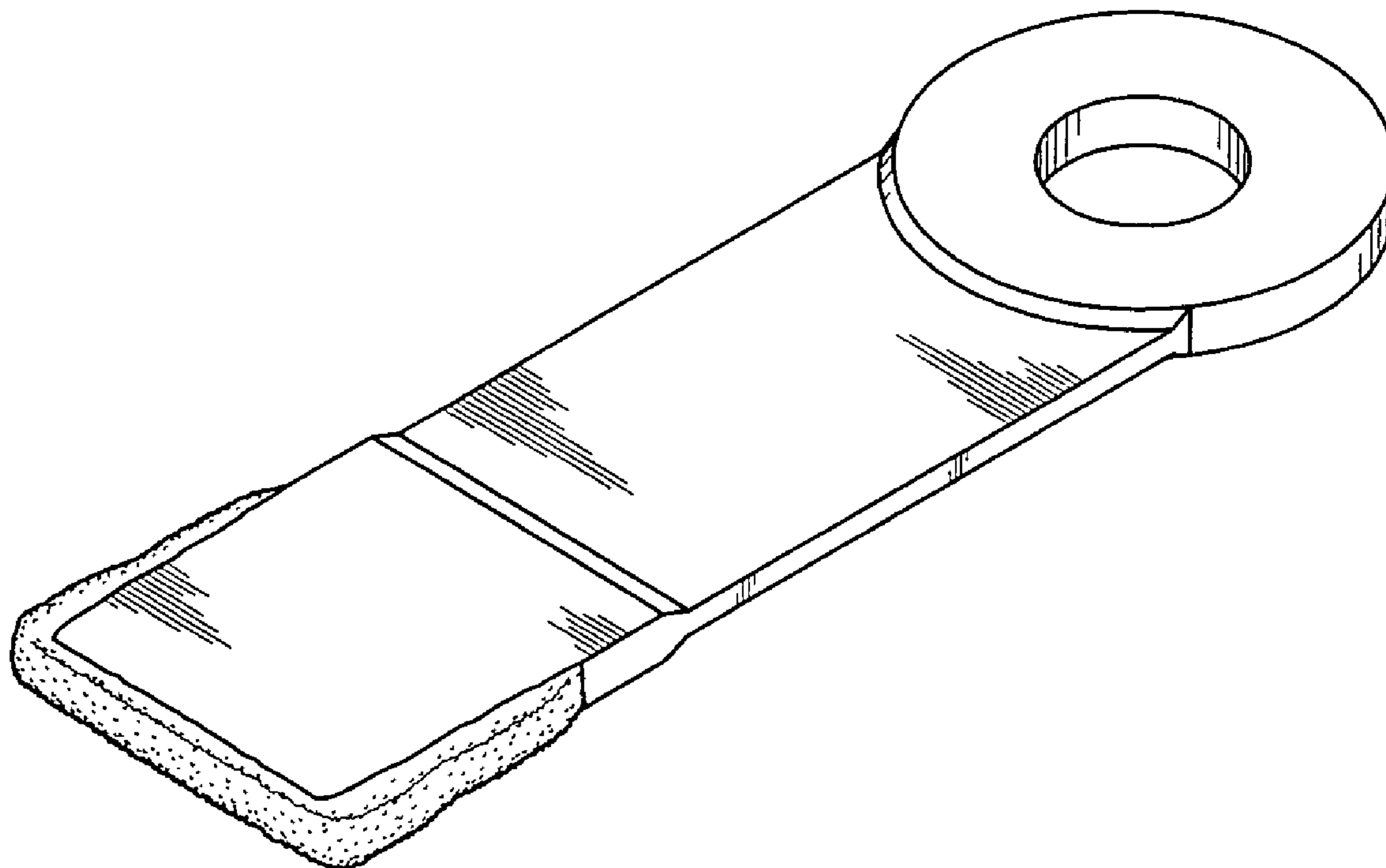
FIG. 1 is perspective view of a hammermill hammer according to an embodiment of the invention.
FIG. 2 is a top view of a hammermill hammer according to an embodiment of the invention; and,
FIG. 3 is a side view of a hammermill hammer according to an embodiment of the invention.

(56) **References Cited**

U.S. PATENT DOCUMENTS

1,678,723	A *	7/1928	Clement	241/197
1,787,526	A *	1/1931	Honstain	241/300
2,404,775	A *	7/1946	Ehmann	241/197

1 Claim, 2 Drawing Sheets



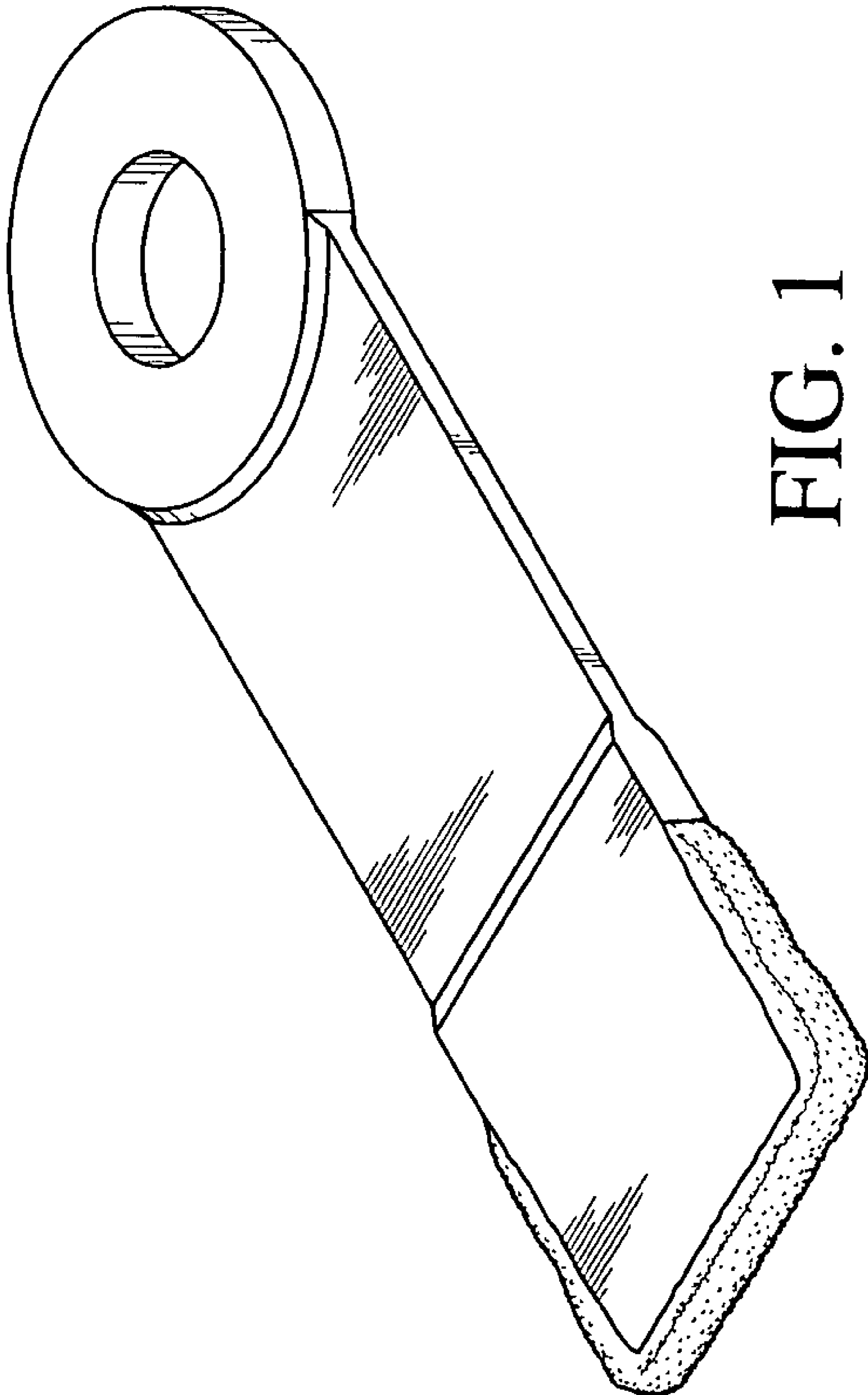


FIG. 1

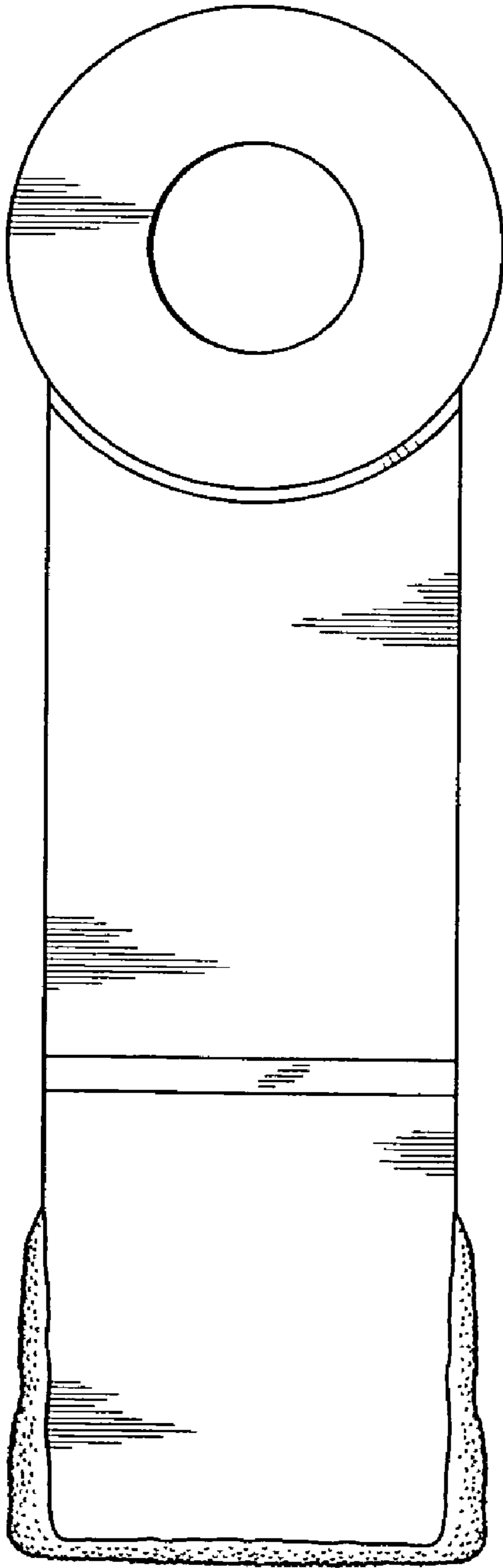


FIG. 2



FIG. 3