

US00D544501S

(12) **United States Design Patent**
Chung Lee

(10) **Patent No.:** **US D544,501 S**

(45) **Date of Patent:** **** Jun. 12, 2007**

(54) **PETROL LAWN MOWER**

(76) Inventor: **Hsin-Chih Chung Lee**, 21-8, Shang San Cho Woo, Wuchang-Li, Chungli City, Tao Yuan Hsien (TW)

(**) Term: **14 Years**

(21) Appl. No.: **29/258,667**

(22) Filed: **Apr. 26, 2006**

(51) **LOC (8) Cl.** **15-03**

(52) **U.S. Cl.** **D15/14**

(58) **Field of Classification Search** D15/10, D15/14-18; 280/43.17; 56/12.7, 12.8, 13.4, 56/16.7, 17.5, 202, 254, 255, 294, 11.4, 320.1, 56/320.2, 249, 252
See application file for complete search history.

(56) **References Cited**

U.S. PATENT DOCUMENTS

D294,031	S	*	2/1988	Hosonuma	D15/14
D295,865	S	*	5/1988	Rosenblad	D15/18
D346,810	S	*	5/1994	Schulz et al.	D15/14
D347,640	S	*	6/1994	Chunn et al.	D15/14
5,361,568	A	*	11/1994	Lin	56/194
D356,581	S	*	3/1995	Chunn et al.	D15/14
5,398,489	A	*	3/1995	Oshima	56/17.2
D361,771	S	*	8/1995	Ledingham	D15/14
5,493,851	A	*	2/1996	Katzer et al.	56/13.7
D390,576	S	*	2/1998	Shimamura	D15/14
5,910,091	A	*	6/1999	Iida et al.	56/16.7

D421,265	S	*	2/2000	Ohsumi et al.	D15/14
D424,070	S	*	5/2000	Danthois	D15/14
D426,836	S	*	6/2000	Sirois et al.	D15/14
D456,030	S	*	4/2002	Maeda	D15/14
D457,897	S	*	5/2002	Jong	D15/14
D461,830	S	*	8/2002	Stratford et al.	D15/14
6,434,918	B1	*	8/2002	Csonka et al.	56/13.4
6,735,930	B2	*	5/2004	Sugiyama et al.	56/202
D497,918	S	*	11/2004	Osborne et al.	D15/14

* cited by examiner

Primary Examiner—Stella Reid

Assistant Examiner—Mark Goodwin

(74) *Attorney, Agent, or Firm*—Rabin & Berdo, P.C.

(57) **CLAIM**

The ornamental design for petrol lawn mower, as shown and described.

DESCRIPTION

FIG. 1 is a perspective view of petrol lawn mower showing my new design;

FIG. 2 is a front elevational view thereof;

FIG. 3 is a rear elevational view thereof;

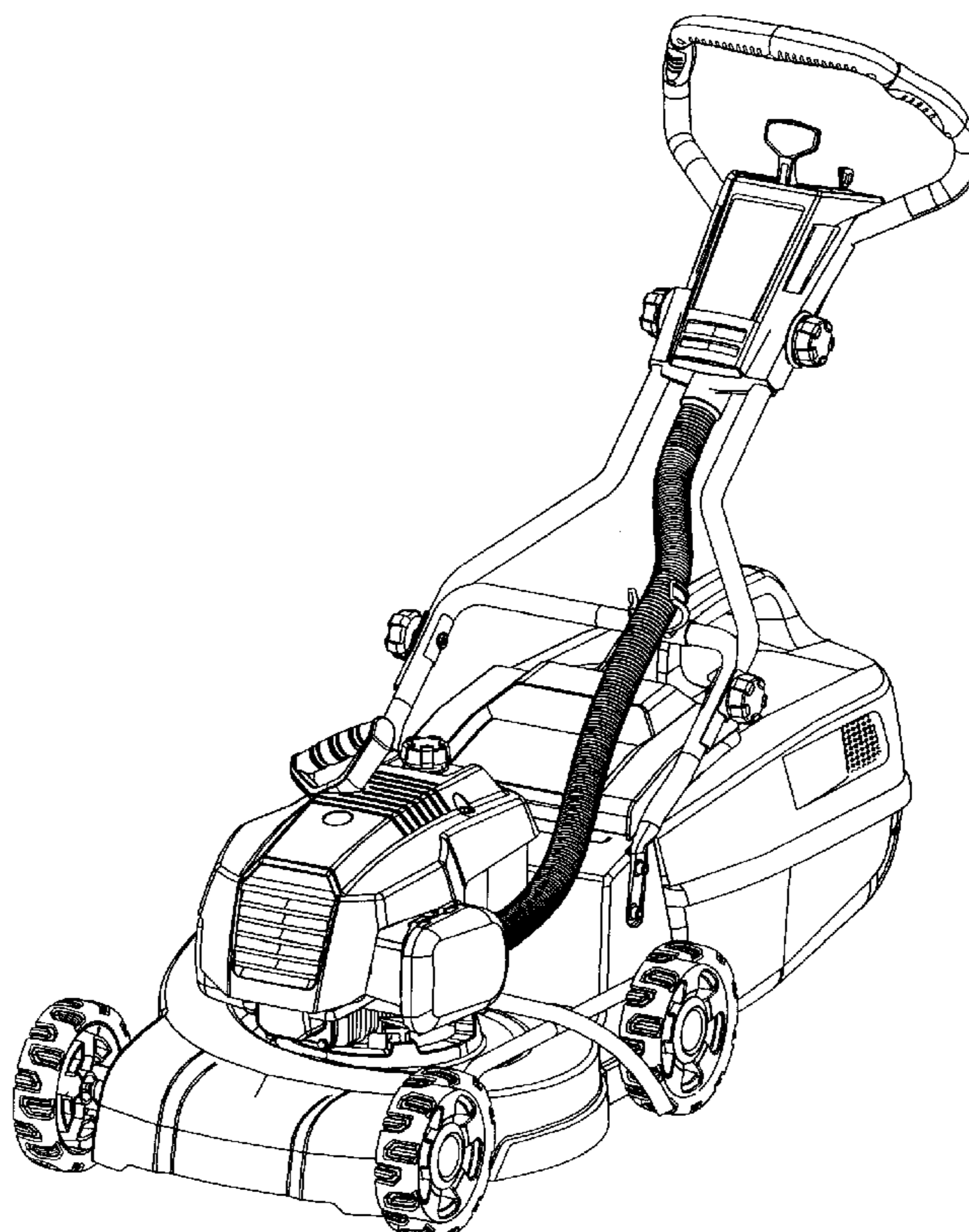
FIG. 4 is a left side elevational view thereof;

FIG. 5 is right side elevational view thereof;

FIG. 6 is a top view thereof; and,

FIG. 7 is a bottom view thereof.

1 Claim, 7 Drawing Sheets



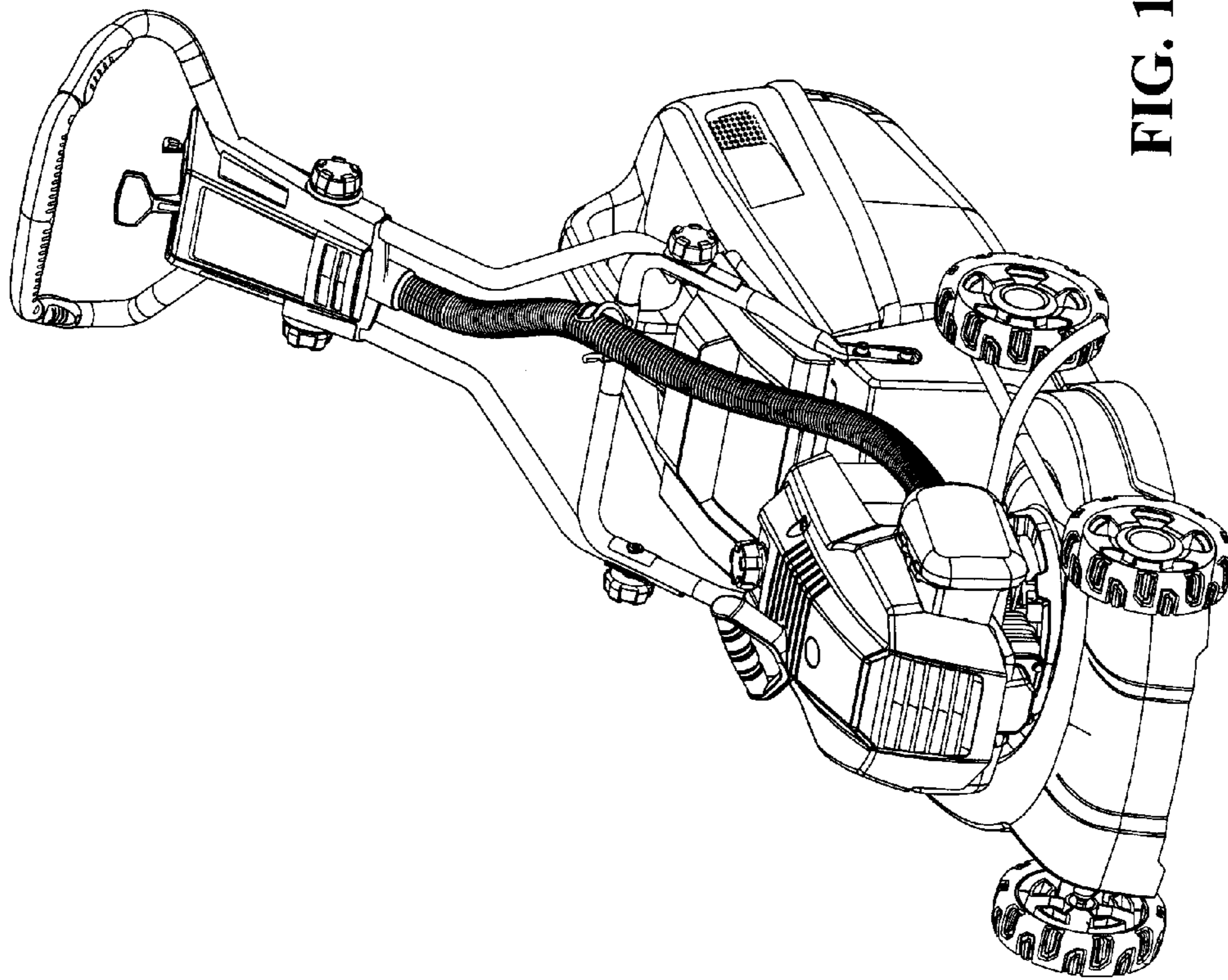


FIG. 1

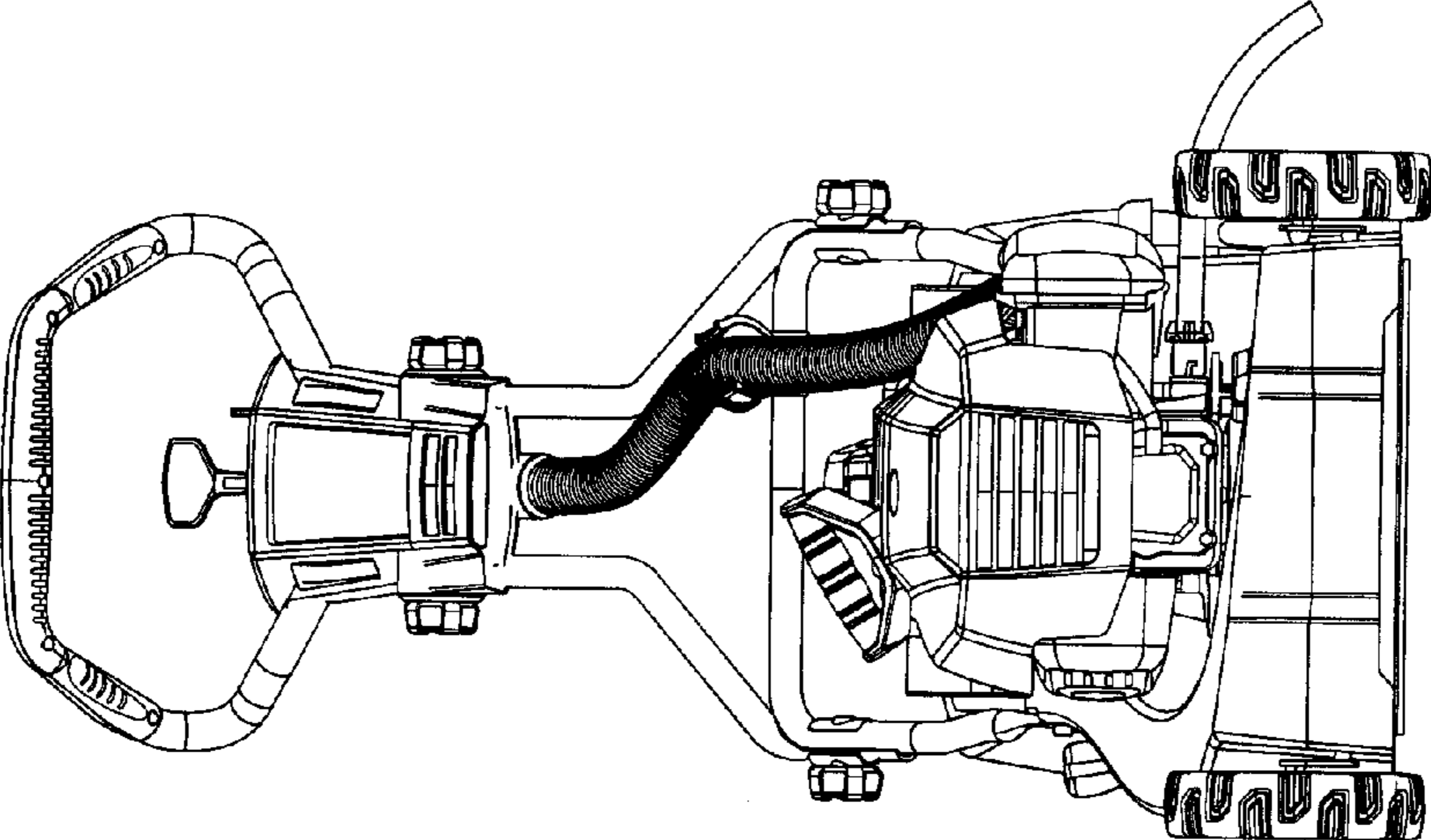


FIG. 2

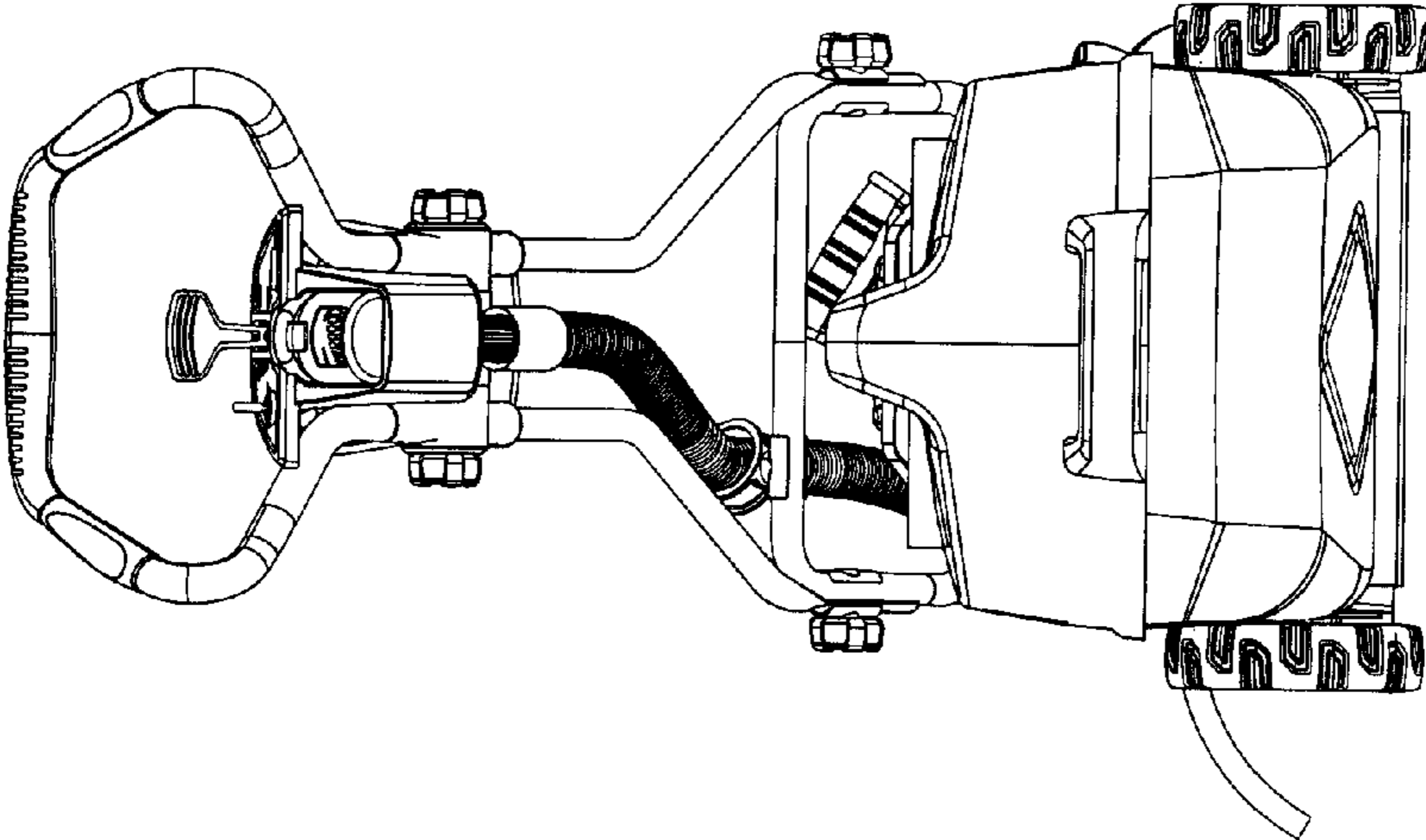


FIG. 3

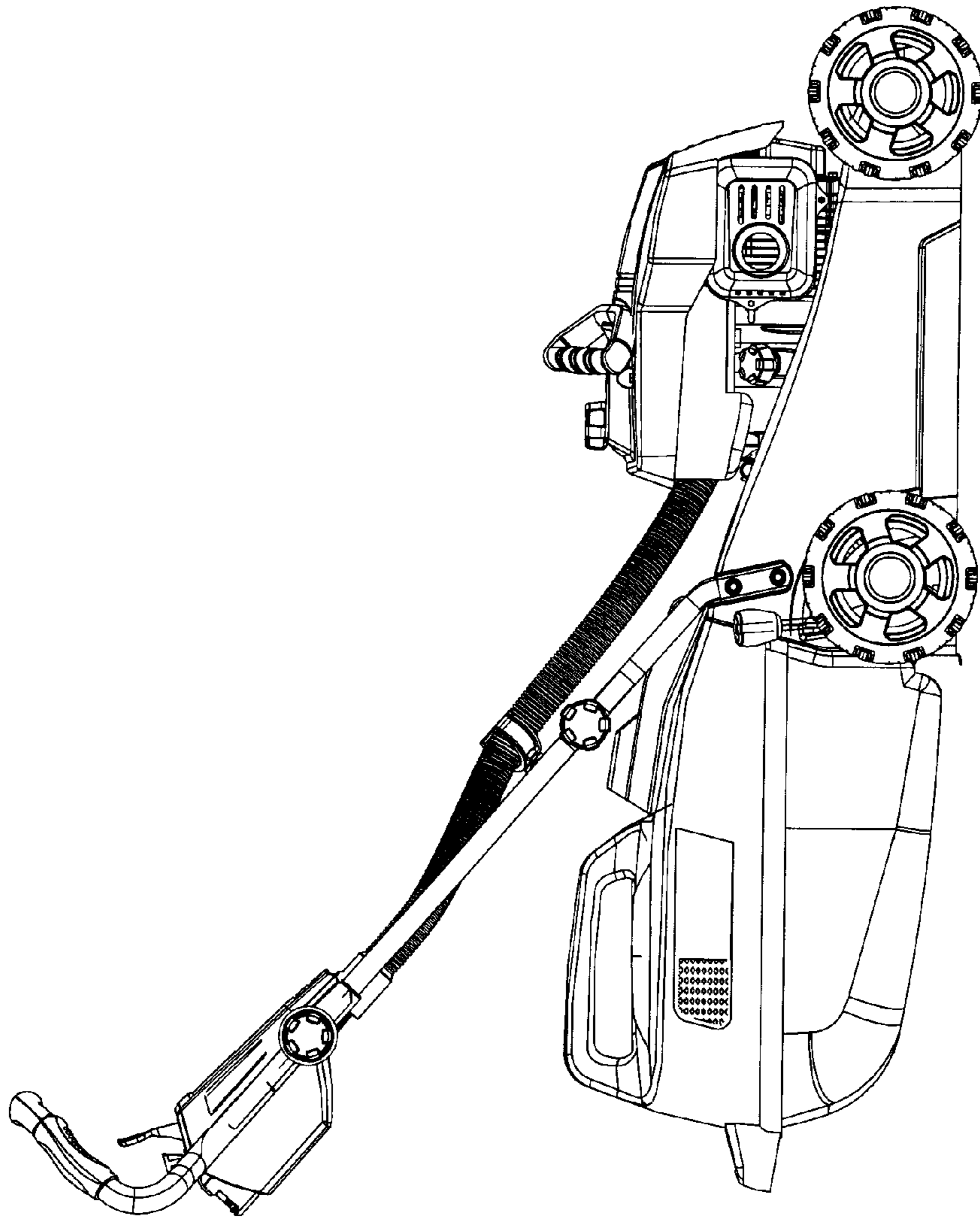


FIG. 4

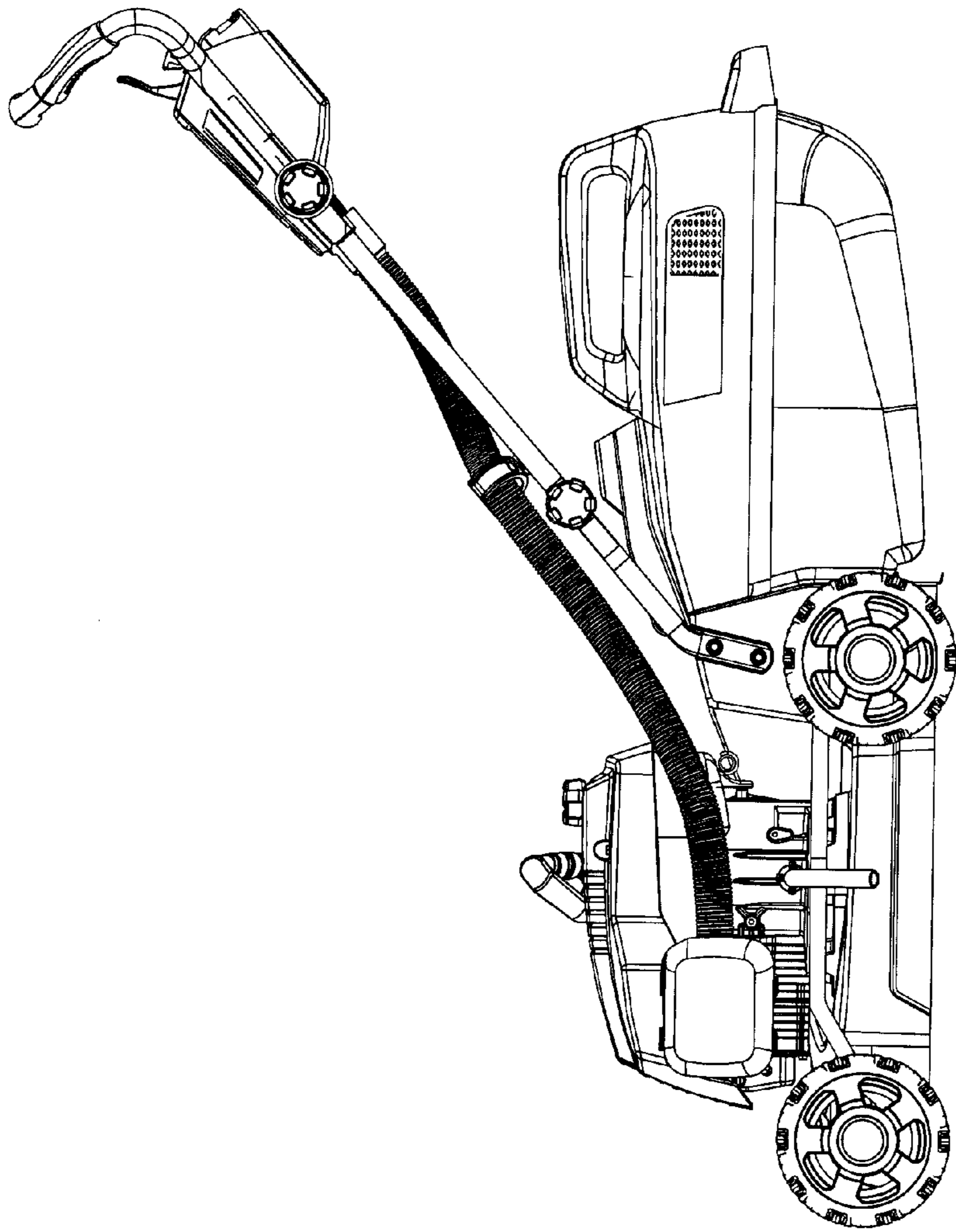


FIG. 5

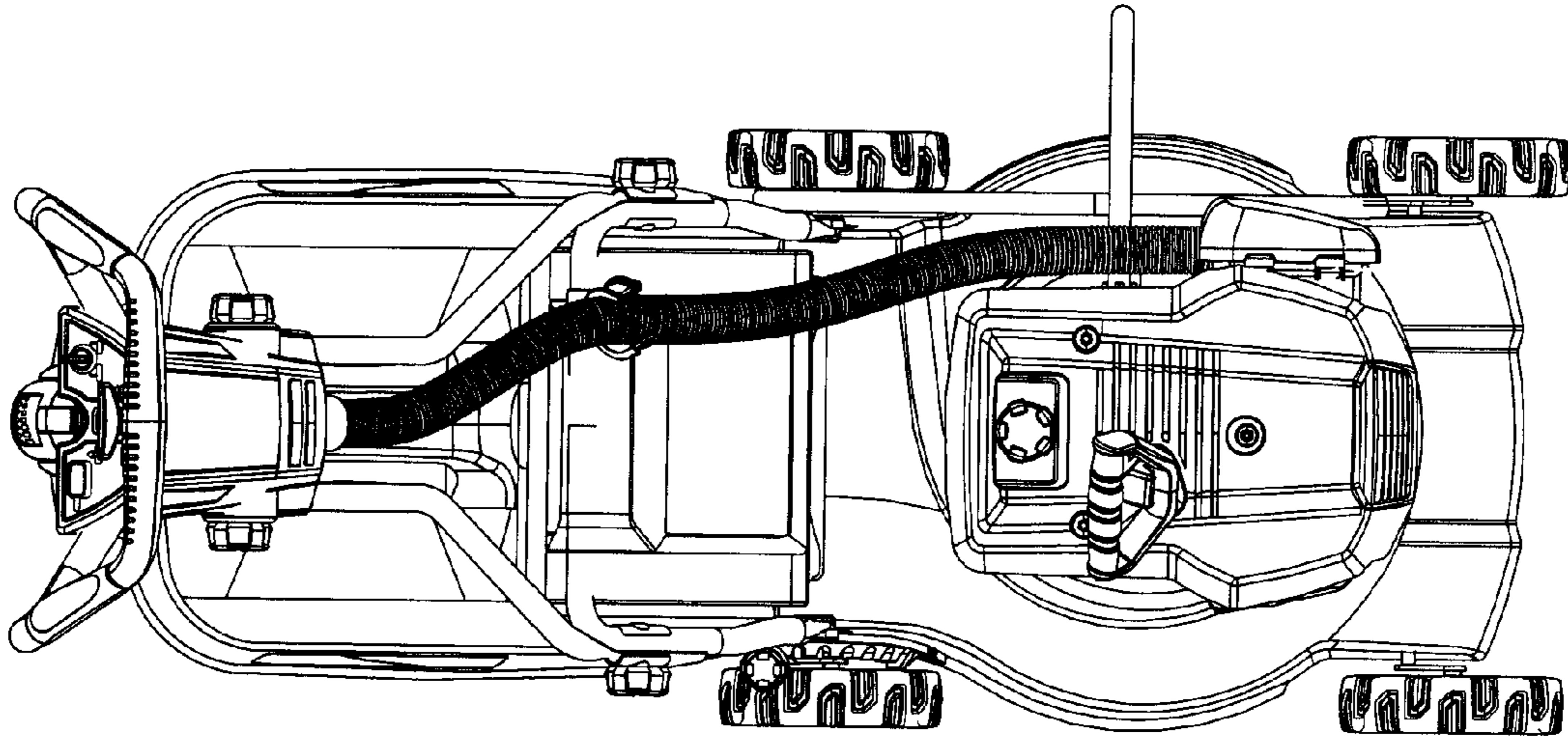


FIG. 6

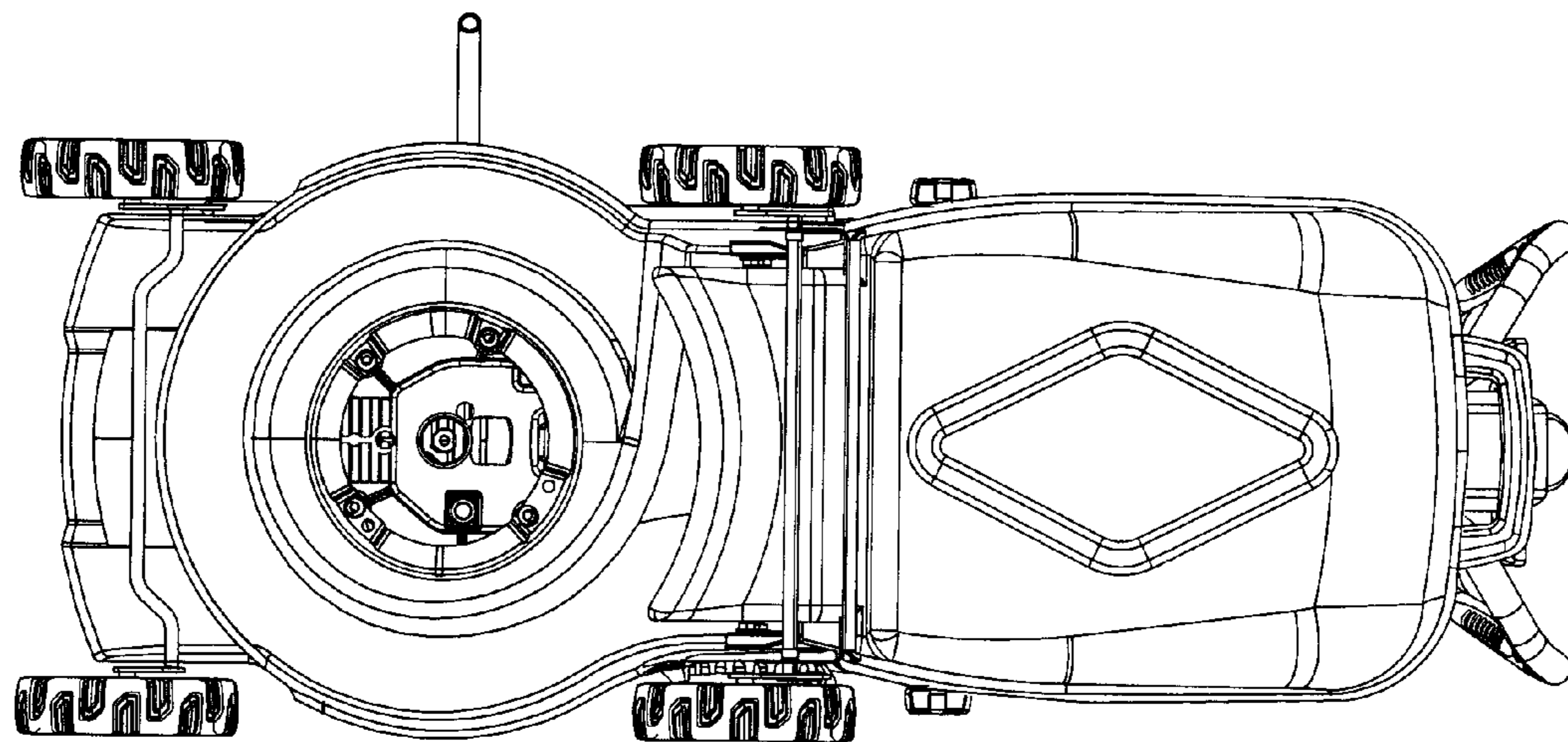


FIG. 7