



US00D544489S

(12) **United States Design Patent**  
**Oddsden, Jr. et al.**

(10) **Patent No.:** **US D544,489 S**  
(45) **Date of Patent:** **\*\* Jun. 12, 2007**

(54) **ANGLED MINI ARM**

(75) Inventors: **Odd N. Oddsden, Jr.**, Easton, PA (US);  
**Bradley A. Derry**, Allentown, PA (US)

(73) Assignee: **Innovative Office Products, Inc.**,  
Easton, PA (US)

(\*\*) Term: **14 Years**

(21) Appl. No.: **29/232,406**

(22) Filed: **Jun. 17, 2005**

**Related U.S. Application Data**

(63) Continuation of application No. 11/141,348, filed on May 31, 2005.

(51) **LOC (8) Cl.** ..... **08-07**

(52) **U.S. Cl.** ..... **D14/452**

(58) **Field of Classification Search** ..... D14/126,  
D14/224, 229, 253, 316, 375, 376, 377, 432,  
D14/439, 447, 451, 452, 457; D8/306, 363,  
D8/373, 380; D18/59; 180/332; 248/118.3,  
248/218.11, 225.11, 274.1, 276.1, 278.1,  
248/279.1, 280.11, 282.1, 917, 919; 348/373;  
403/110; 439/345

See application file for complete search history.

(56) **References Cited**

**U.S. PATENT DOCUMENTS**

D275,431 S 9/1984 Usab  
D324,863 S 3/1992 Timm  
5,092,552 A 3/1992 Dayton et al.

(Continued)

**FOREIGN PATENT DOCUMENTS**

DE 200 18 361 4/2001  
GB 2 416 062 1/2006

**OTHER PUBLICATIONS**

“Ergonomic mounting solutions for monitors and keyboards,” Product Catalog—LCD Arms & Mounts, retrieved from internet Feb. 15, 2005, <URL://www.lcdarms.com/pdfs/Innovative\_Product\_Catalog.pdf> © 2004, Innovative Office Products, 18 pgs.

(Continued)

*Primary Examiner*—Alan P. Douglas

*Assistant Examiner*—Angela J. Lee

(74) *Attorney, Agent, or Firm*—Lerner, David, Littenberg, Krumholz & Mentlik, LLP

(57) **CLAIM**

The ornamental design for an angled mini arm, as shown and described.

**DESCRIPTION**

FIG. 1 is a perspective view of an angled mini arm in accordance with the invention;

FIG. 2 is a right side elevational view of the angled mini arm of FIG. 1, the left side elevational view being a mirror image of the right side;

FIG. 3 is a top plan view of the angled mini arm of FIG. 1; FIG. 4 is a rear elevational view of the angled mini arm of FIG. 1;

FIG. 5 is a bottom plan view of the angled mini arm of FIG. 1;

FIG. 6 is a front elevational view of the angled mini arm of FIG. 1;

FIG. 7 is a perspective view of the angled mini arm of FIG. 1 shown in an articulated orientation;

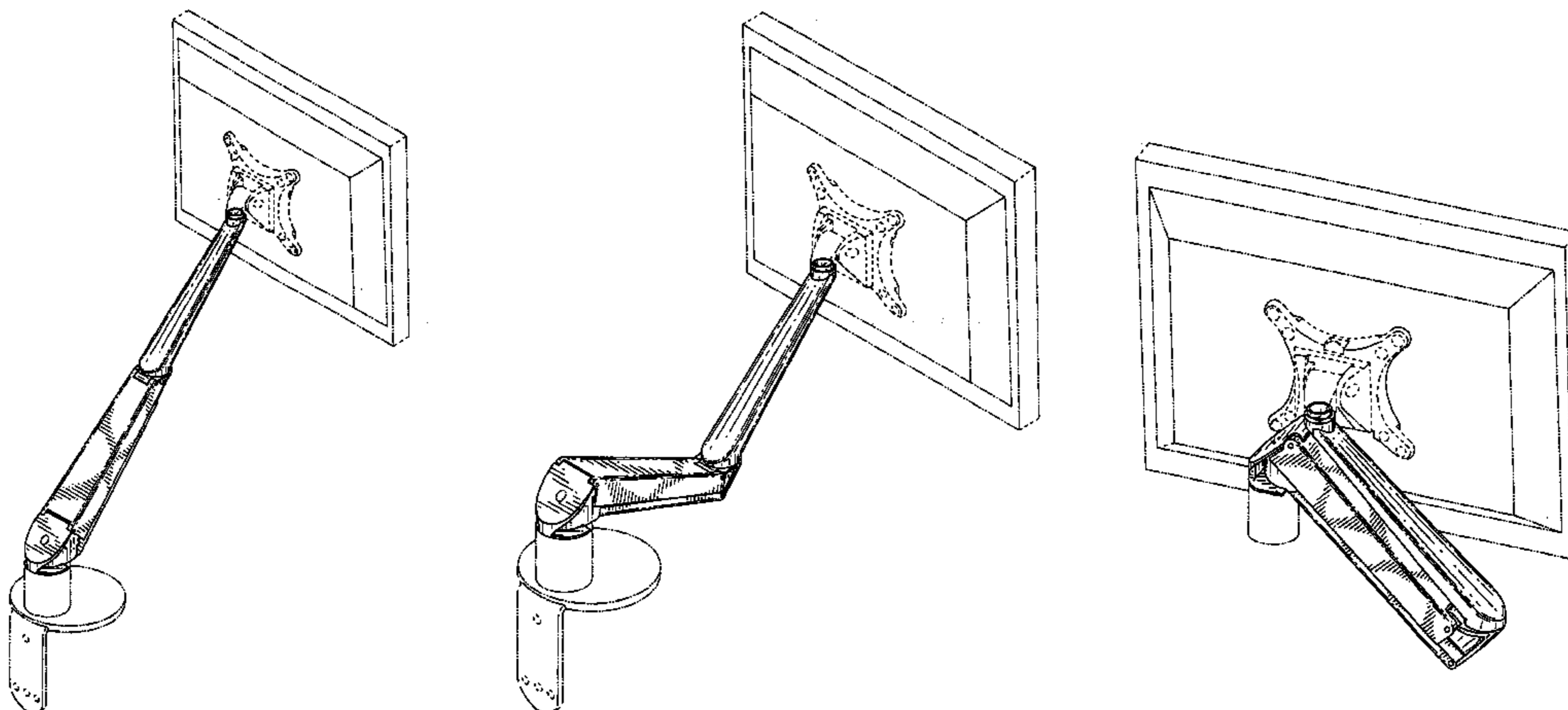
FIG. 8 is a right side elevational view of the angled mini arm angled as shown in FIG. 7, the left side elevational view being a mirror image of the right side;

FIG. 9 is a perspective view of the angled mini arm of FIG. 1 shown in a compact orientation;

FIG. 10 is a rear elevational view of the angled mini arm as shown in FIG. 9; and,

FIG. 11 is a right side elevational view of the angled mini arm angled as shown in FIG. 9.

**1 Claim, 11 Drawing Sheets**



# US D544,489 S

Page 2

---

## U.S. PATENT DOCUMENTS

D363,065 S 10/1995 Karten et al.  
5,538,214 A \* 7/1996 Sinila ..... 248/278.1  
D383,376 S \* 9/1997 Vogels ..... D8/363  
6,012,693 A 1/2000 Voeller et al.  
D422,482 S 4/2000 Csik et al.  
6,409,134 B1 6/2002 Oddsen, Jr.  
6,478,274 B1 11/2002 Oddsen, Jr.  
6,505,988 B1 1/2003 Oddsen, Jr.  
D489,370 S \* 5/2004 Jobs et al. .... D14/371  
D494,183 S \* 8/2004 Wills et al. .... D14/452  
6,394,403 B1 5/2005 Hung  
2003/0146359 A1 \* 8/2003 Oddsen ..... 248/278.1  
2004/0222344 A1 11/2004 Oddsen

2005/0230585 A1 \* 10/2005 Hung ..... 248/278.1

## OTHER PUBLICATIONS

U.S. Appl. No. 10/885,854, filed Jul. 7, 2004, entitled "Arm Apparatus With Reinforcement."  
U.S. Appl. No. 11/058,820, filed Feb. 16, 2005, entitled "Quick release Assembly for an Electronic Device."  
U.S. Appl. No. 10/461,637, filed Jun. 13, 2003, entitled "Tilter Apparatus for Electronic Device having Bias Assembly," published as U.S. Patent Publication No. 2004/0251389 on Dec. 16, 2004.

\* cited by examiner

FIG. 1

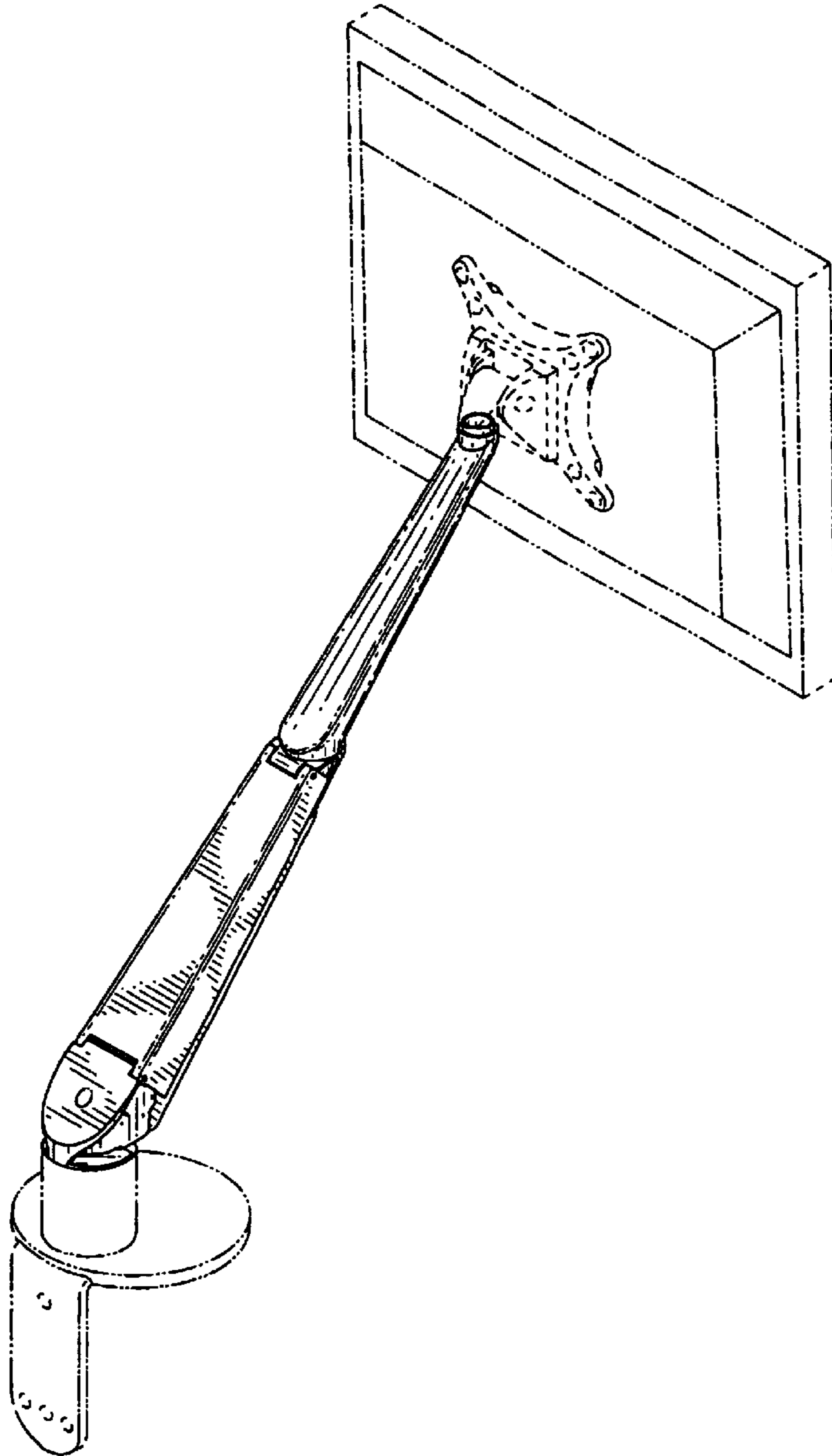
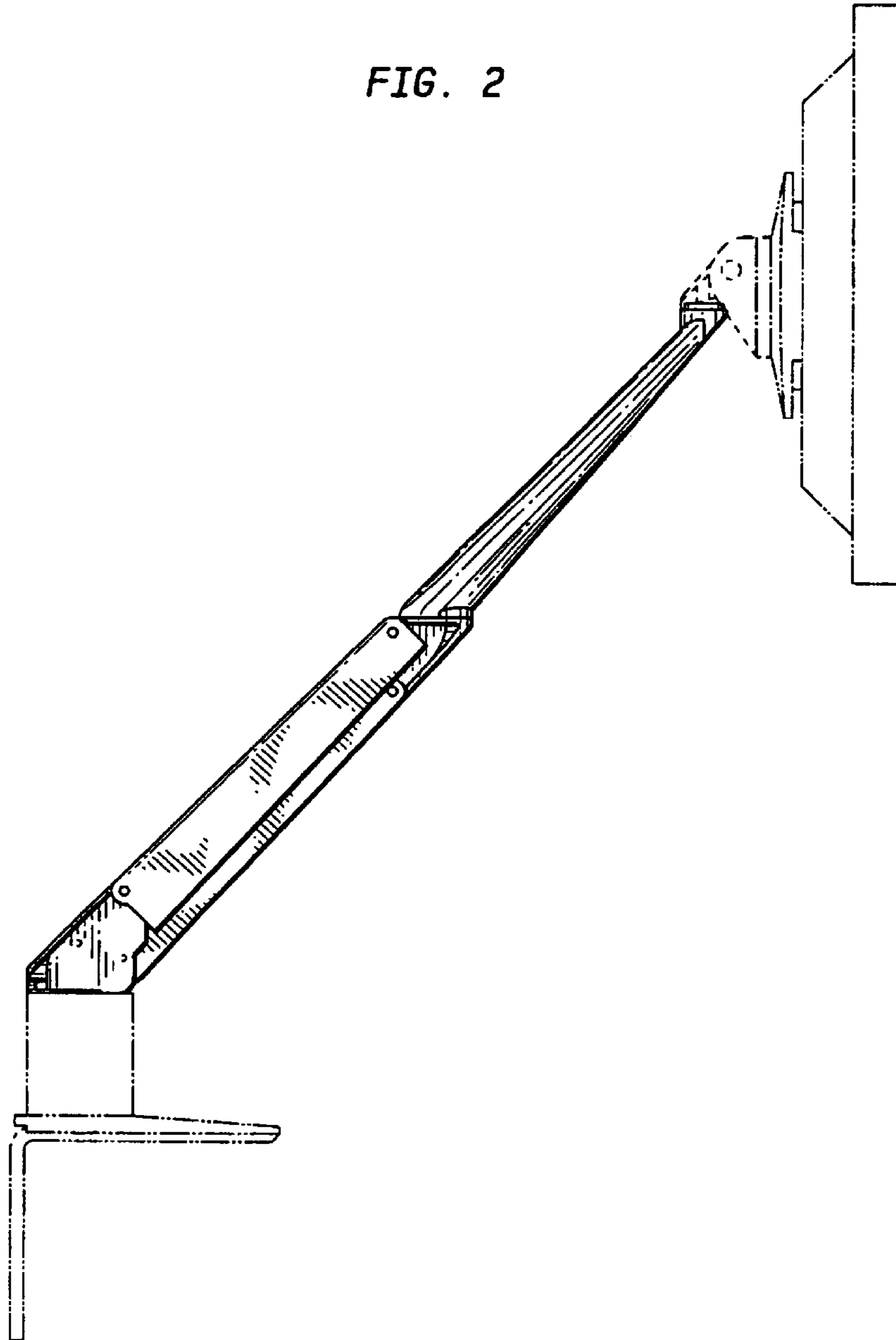


FIG. 2



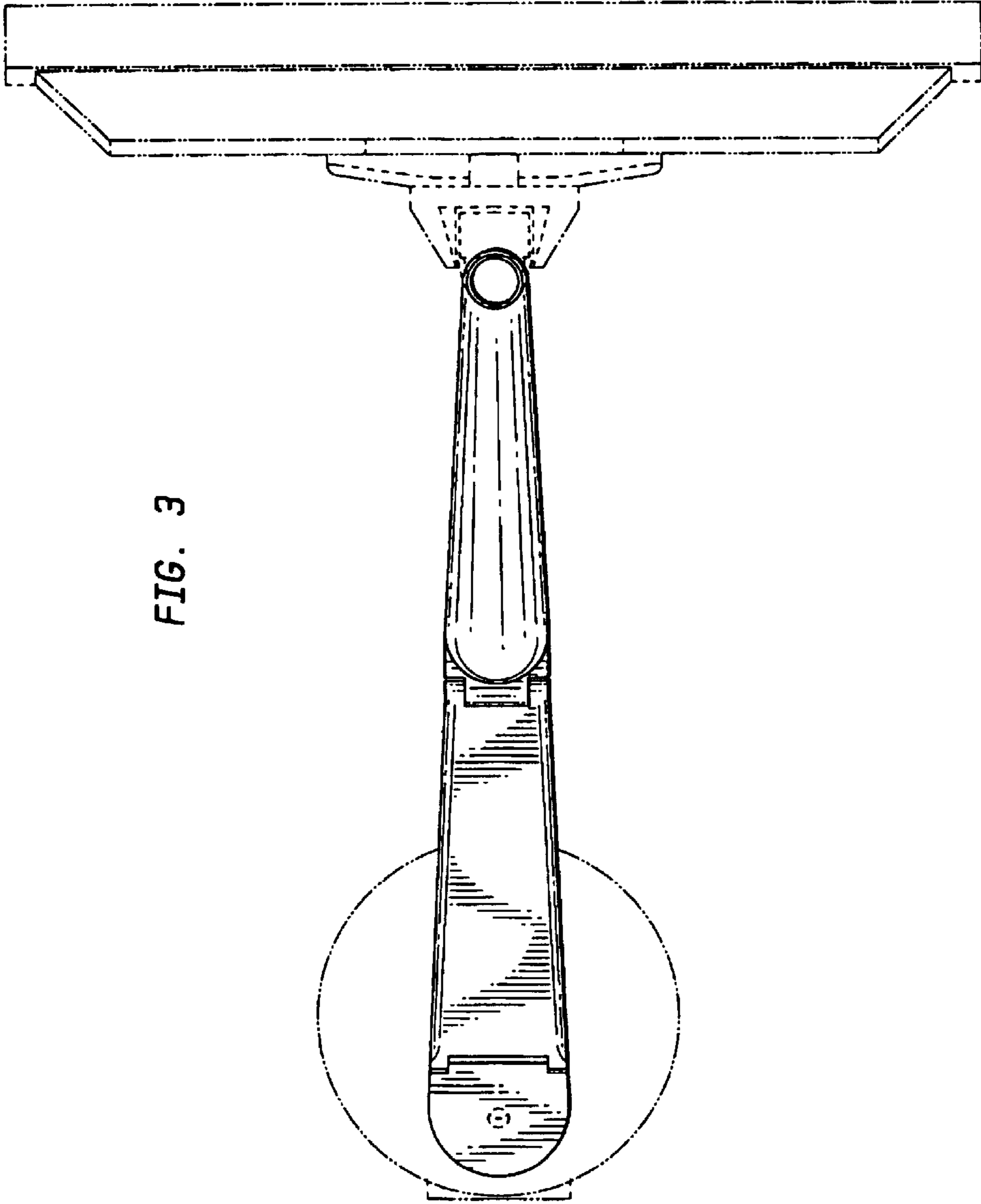
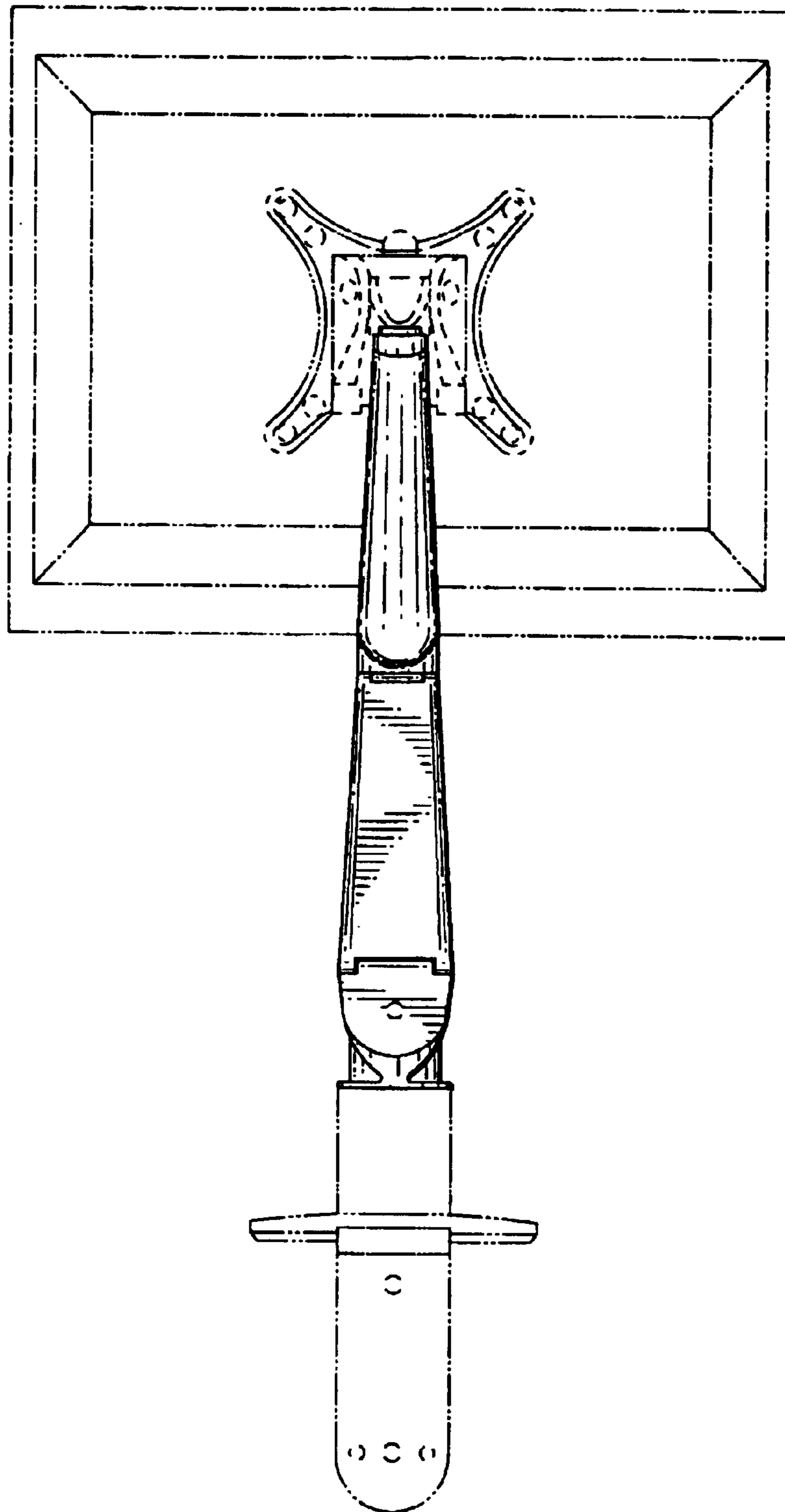


FIG. 3

FIG. 4



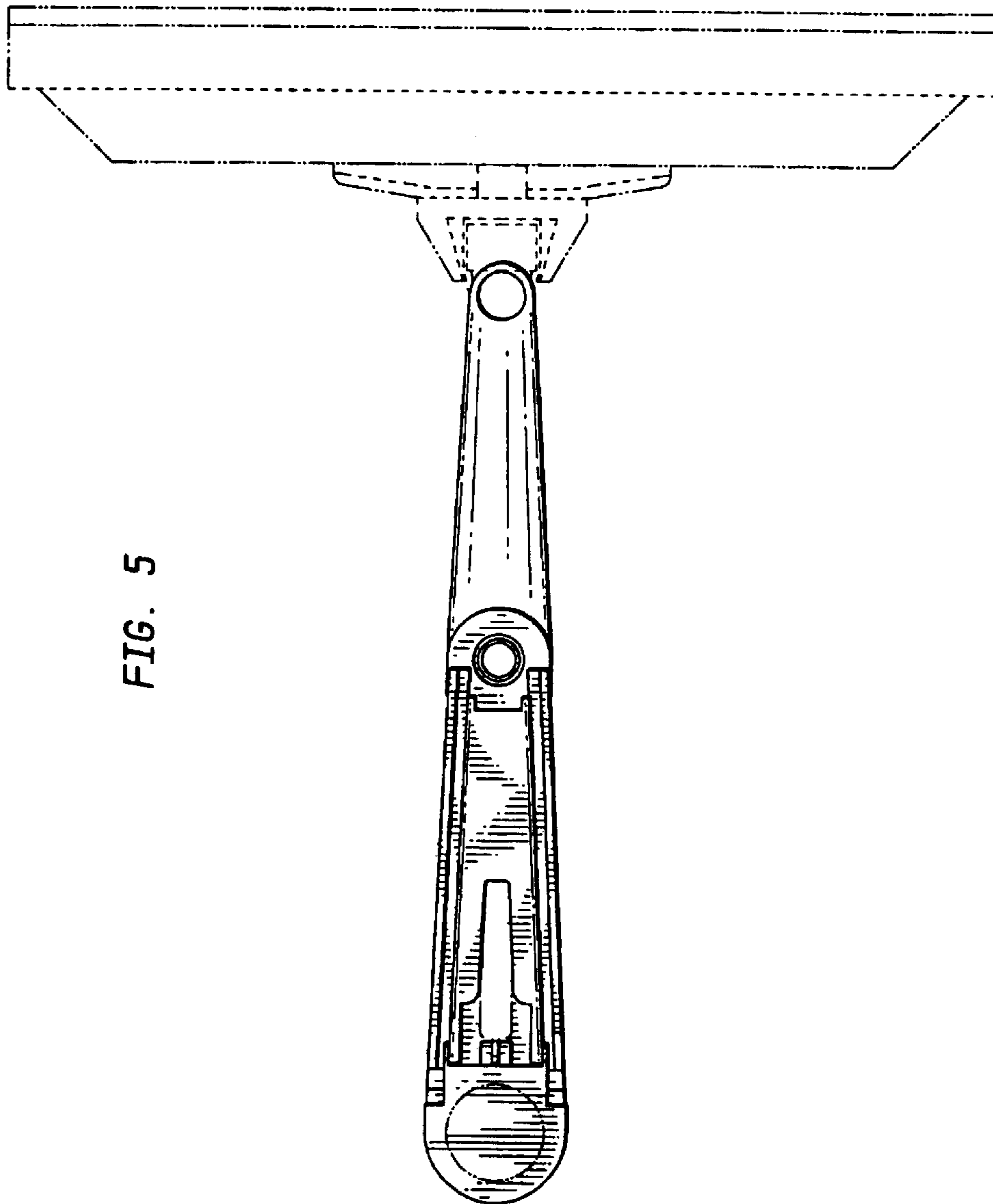


FIG. 5

FIG. 6

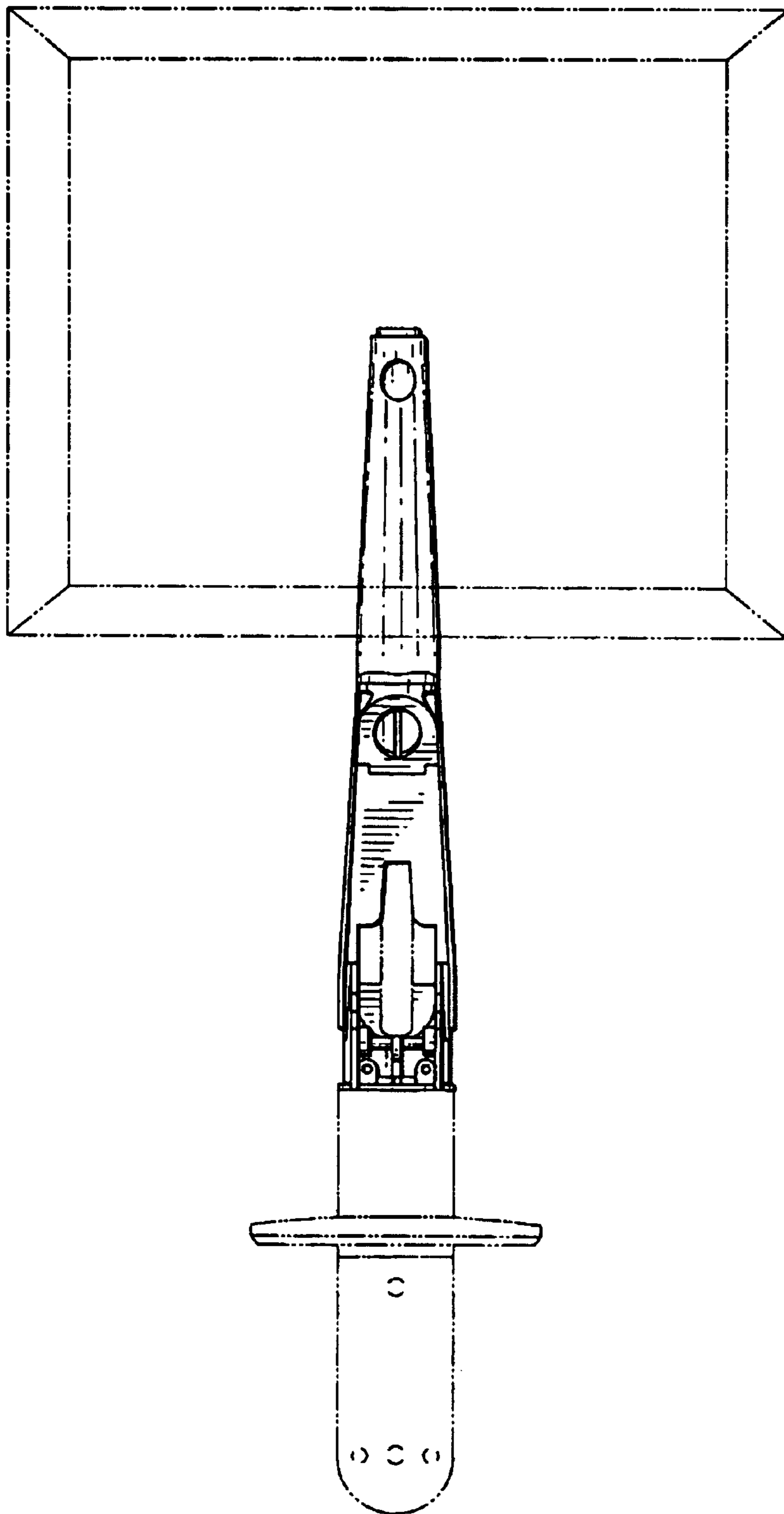
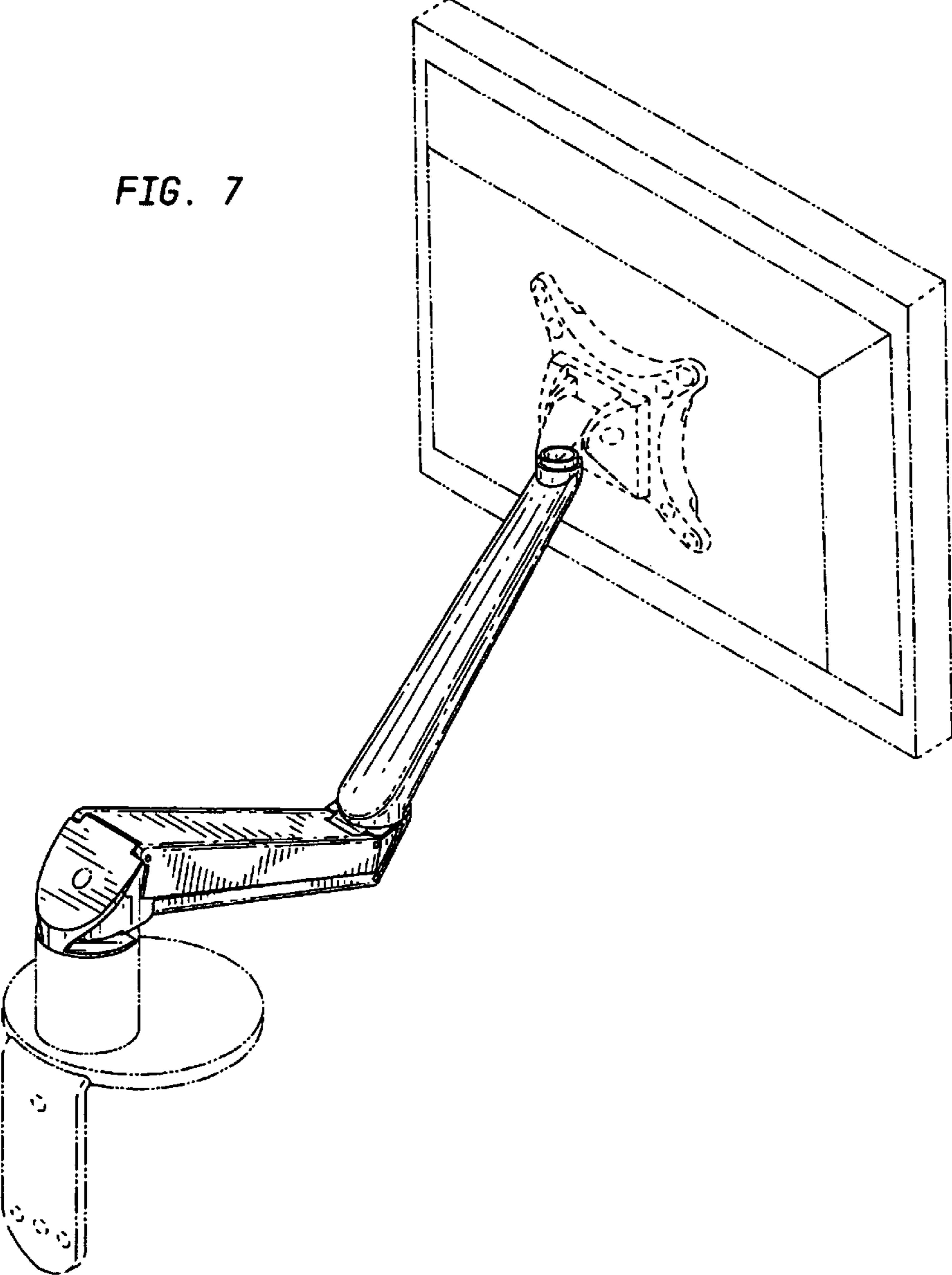




FIG. 7



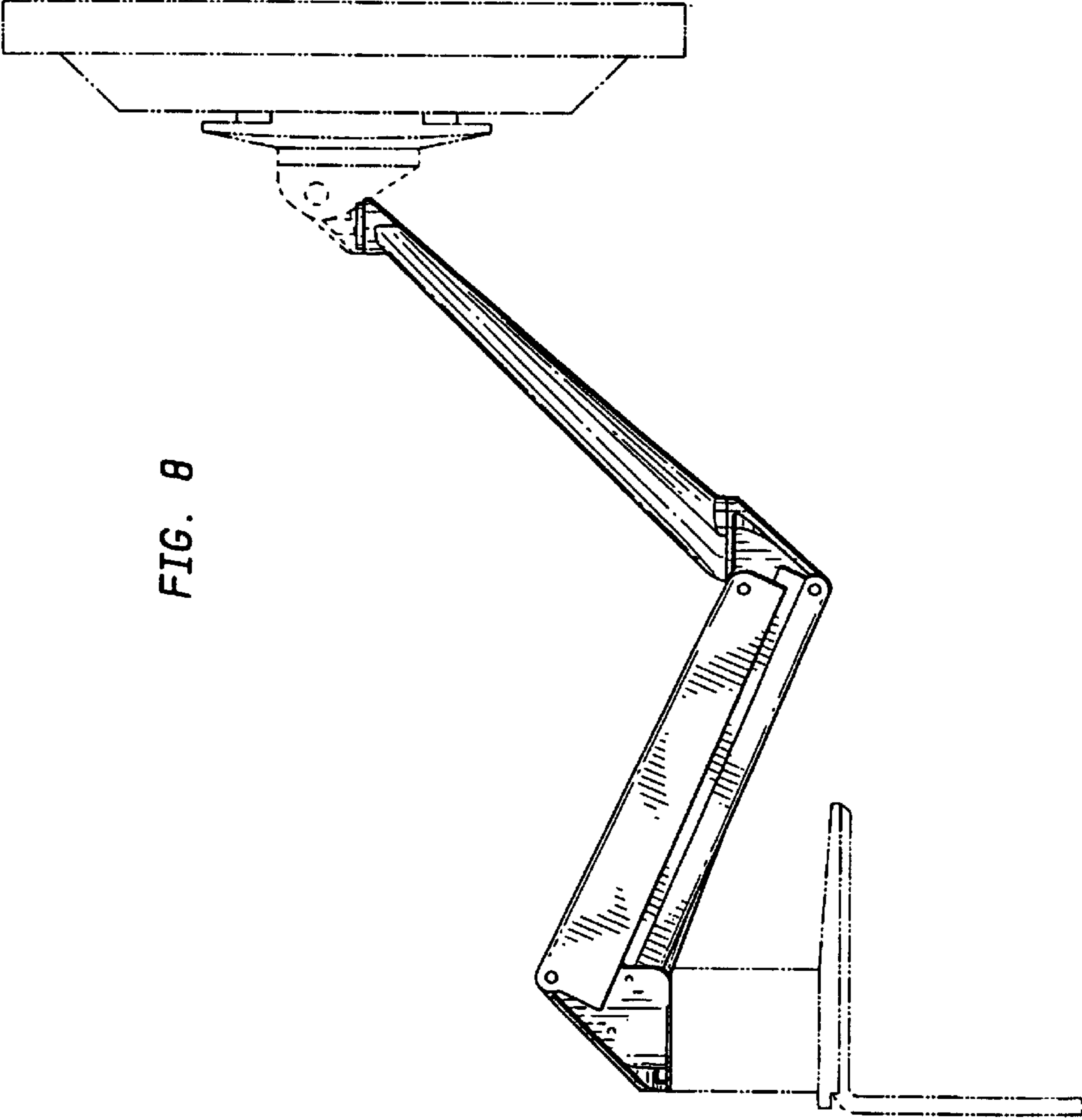


FIG. 8

FIG. 9

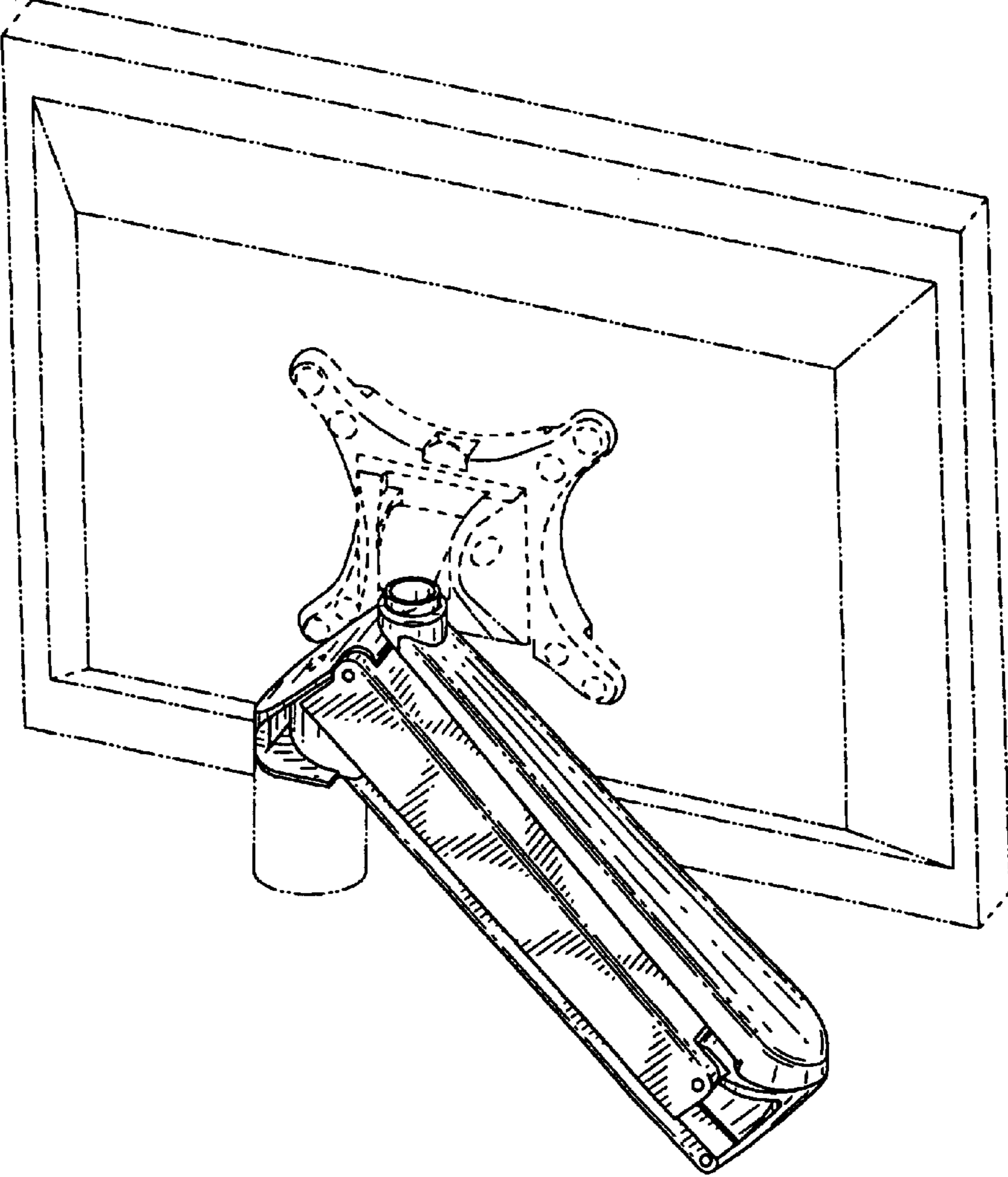
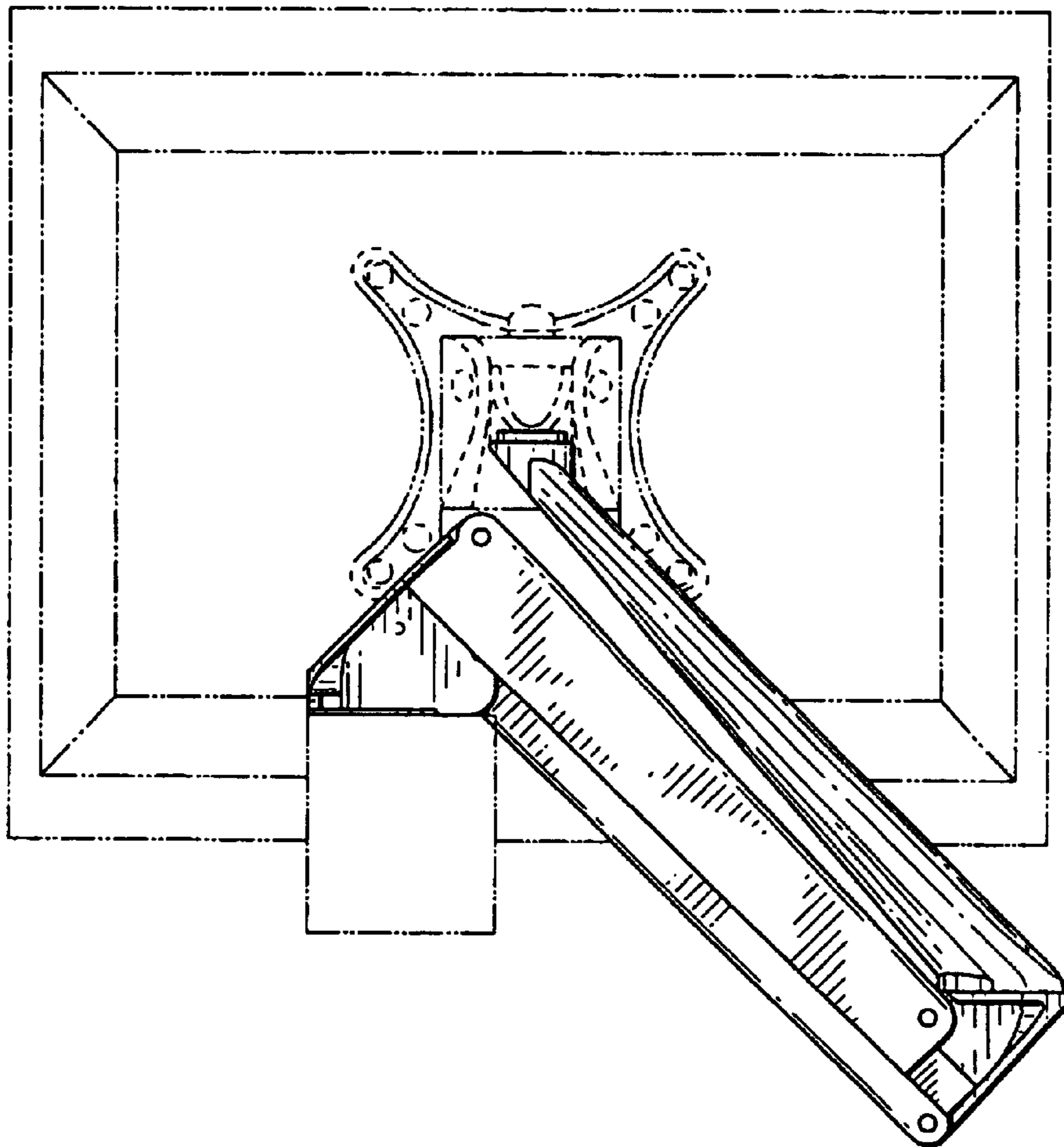


FIG. 10



**FIG. 11**

