



US00D544486S

(12) **United States Design Patent**
Hussaini et al.

(10) **Patent No.:** **US D544,486 S**
(45) **Date of Patent:** **** Jun. 12, 2007**

(54) **FM TRANSMITTER CRADLE FOR PORTABLE AUDIO PLAYER**

D524,244 S * 7/2006 Hussaini et al. D13/108
D524,315 S * 7/2006 Reusing et al. D14/434
D533,994 S * 12/2006 Hussaini et al. D3/218

(75) Inventors: **Saied Hussaini**, Miami, FL (US); **Marc Iacovelli**, Miami, FL (US)

* cited by examiner

(73) Assignee: **I-Tec Electronics Inc.**, Miami, FL (US)

Primary Examiner—Prabhakar Deshmukh

(**) Term: **14 Years**

(74) *Attorney, Agent, or Firm*—Berenato, White & Stavish

(21) Appl. No.: **29/262,553**

(57) **CLAIM**

(22) Filed: **Jul. 6, 2006**

The ornamental design for a FM transmitter cradle for portable audio player, as shown and described.

(51) **LOC (8) Cl.** **14-02**

DESCRIPTION

(52) **U.S. Cl.** **D14/434; D14/496**

(58) **Field of Classification Search** D14/432–434, D14/496, 168, 300, 217, 238; 463/1, 46, 463/47; 273/148 A, 148 B; 345/156–161, 345/903; 361/679–684; 455/90.3, 575.1, 455/575.6; 379/449, 454, 419, 426; 248/176.1, 248/309.1, 311.2, 346.01

FIG. 1 is a perspective view of the FM transmitter cradle for portable audio player according to the present invention.

FIG. 2 is a front view of the FM transmitter cradle for portable audio player of FIG. 1.

FIG. 3 is a rear view of the FM transmitter cradle for portable audio player of FIG. 1.

FIG. 4 is a right side view of the FM transmitter cradle for portable audio player of FIG. 1.

FIG. 5 is a left side view of the FM transmitter cradle for portable audio player of FIG. 1.

FIG. 6 is a top view of the FM transmitter cradle for portable audio player of FIG. 1.

FIG. 7 is a bottom view of the FM transmitter cradle for portable audio player of FIG. 1; and,

FIG. 8 is a right side view of the FM transmitter cradle for portable audio player of FIG. 1 in an alternate orientation.

See application file for complete search history.

(56) **References Cited**

U.S. PATENT DOCUMENTS

5,248,264	A *	9/1993	Long et al.	439/347
5,619,397	A *	4/1997	Honda et al.	361/686
5,799,914	A *	9/1998	Chivallier et al.	248/176.1
6,073,901	A *	6/2000	Richter	248/316.4
D466,516	S *	12/2002	Peiker	D14/447
D495,752	S *	9/2004	Hussaini et al.	D21/333
6,934,568	B2 *	8/2005	Charlier et al.	455/575.3
7,013,164	B2 *	3/2006	Lin	455/557
D520,013	S *	5/2006	Yang	D14/434
D521,990	S *	5/2006	Richter	D14/253

1 Claim, 8 Drawing Sheets

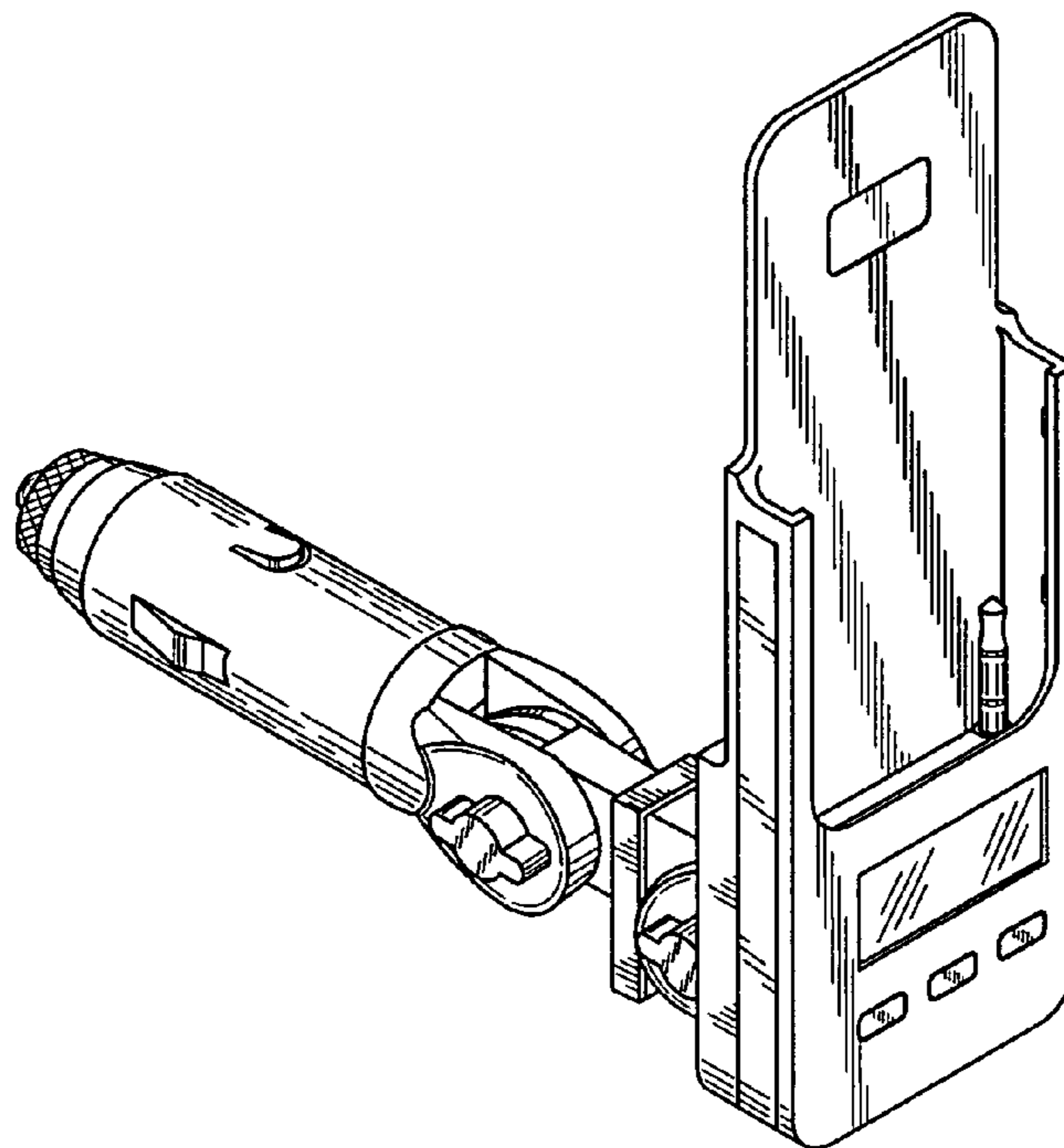


Fig. 1

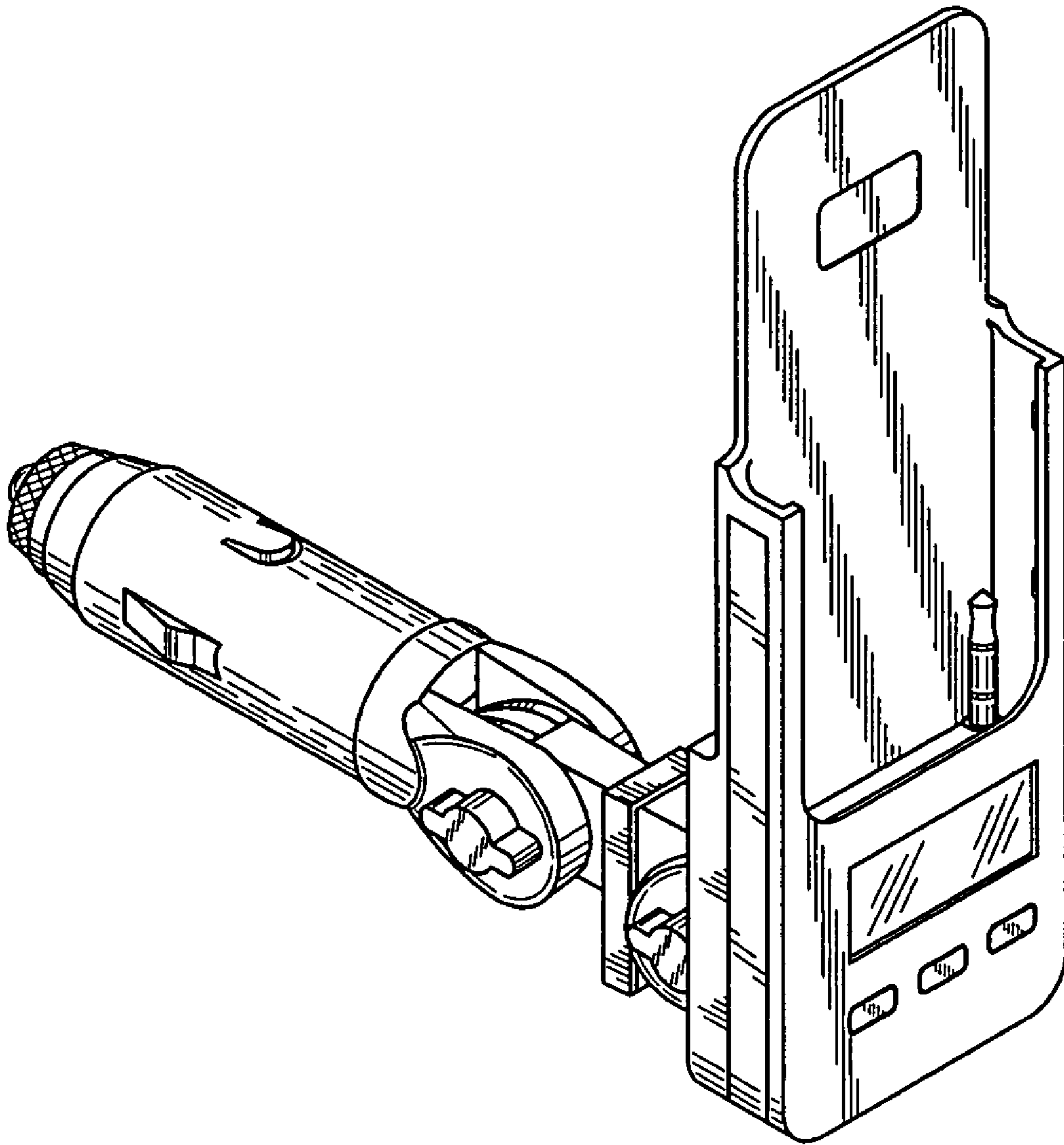


Fig. 2

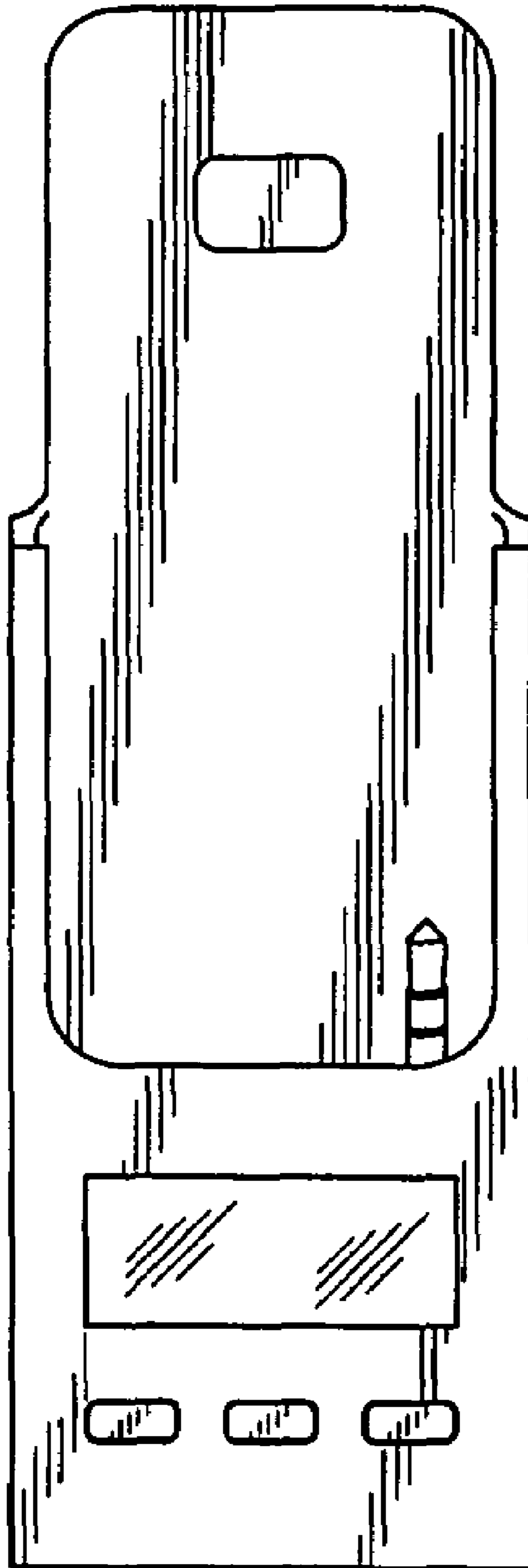


Fig. 3

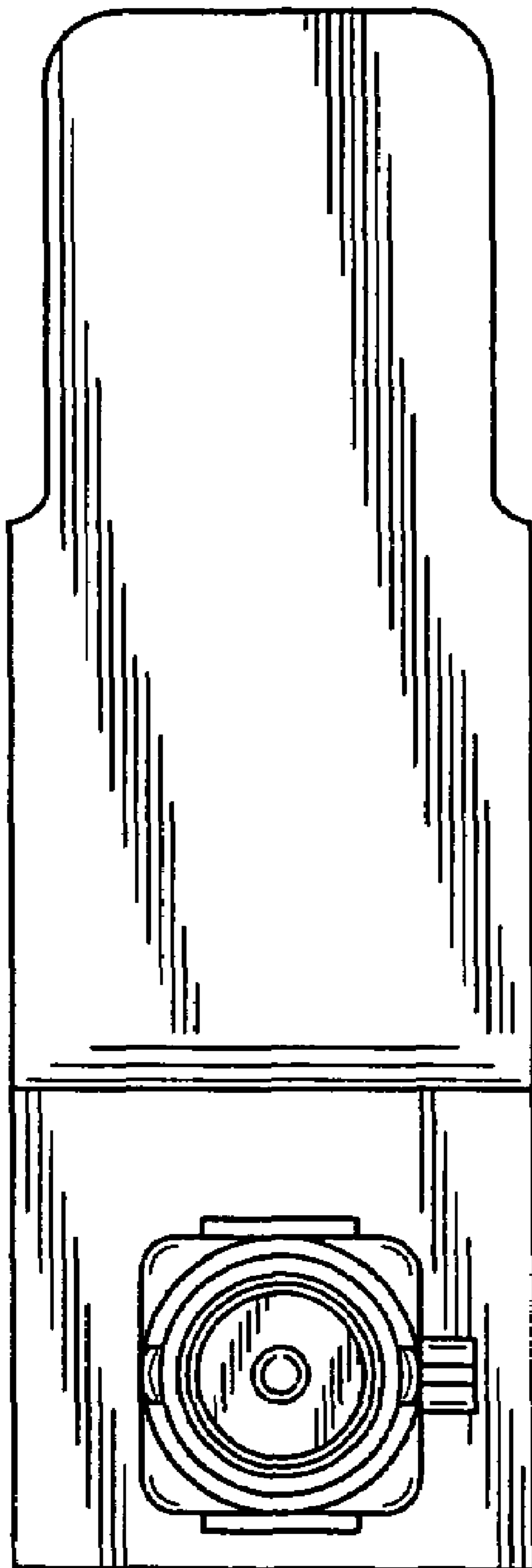


Fig. 4

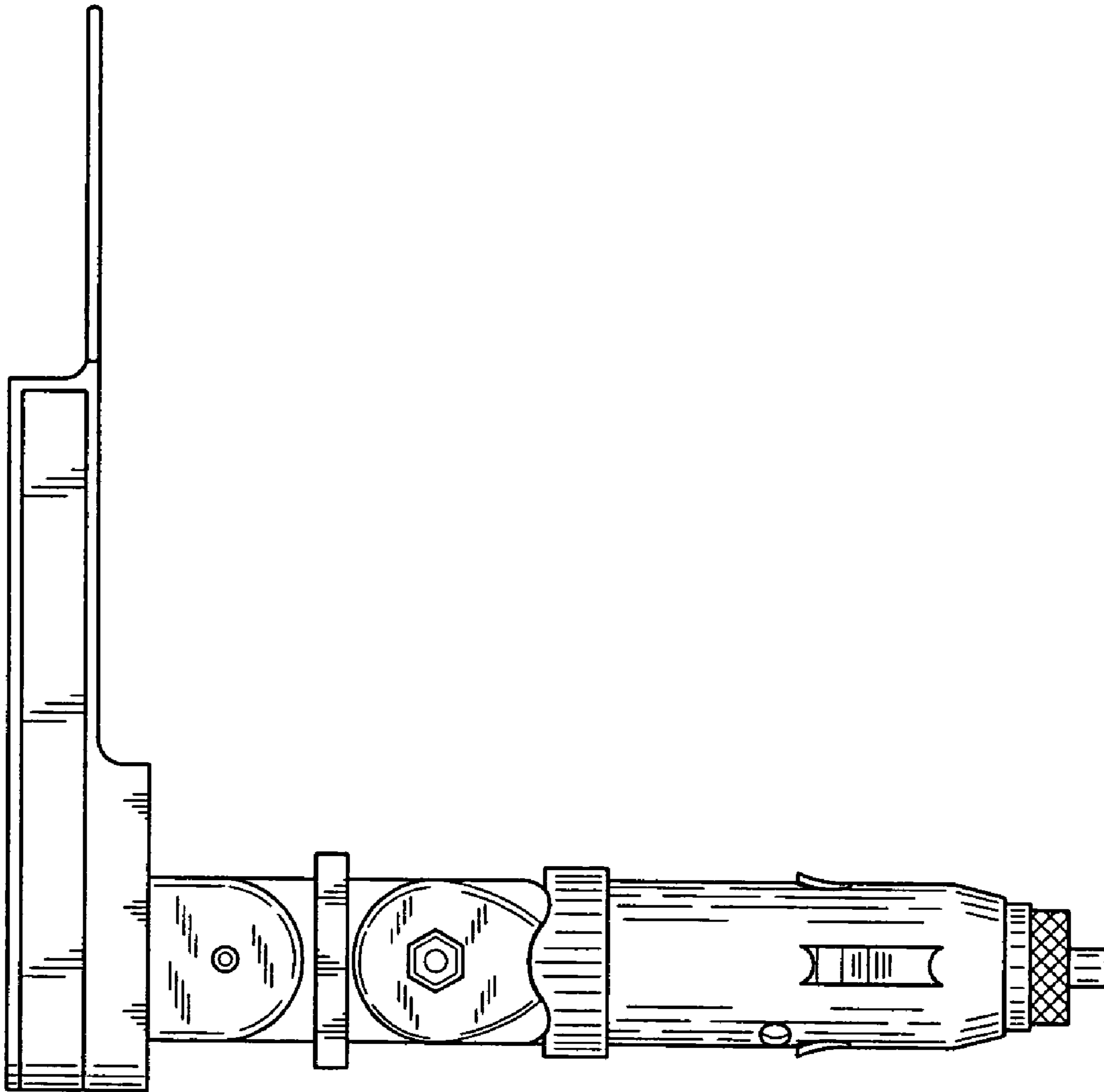


Fig. 5

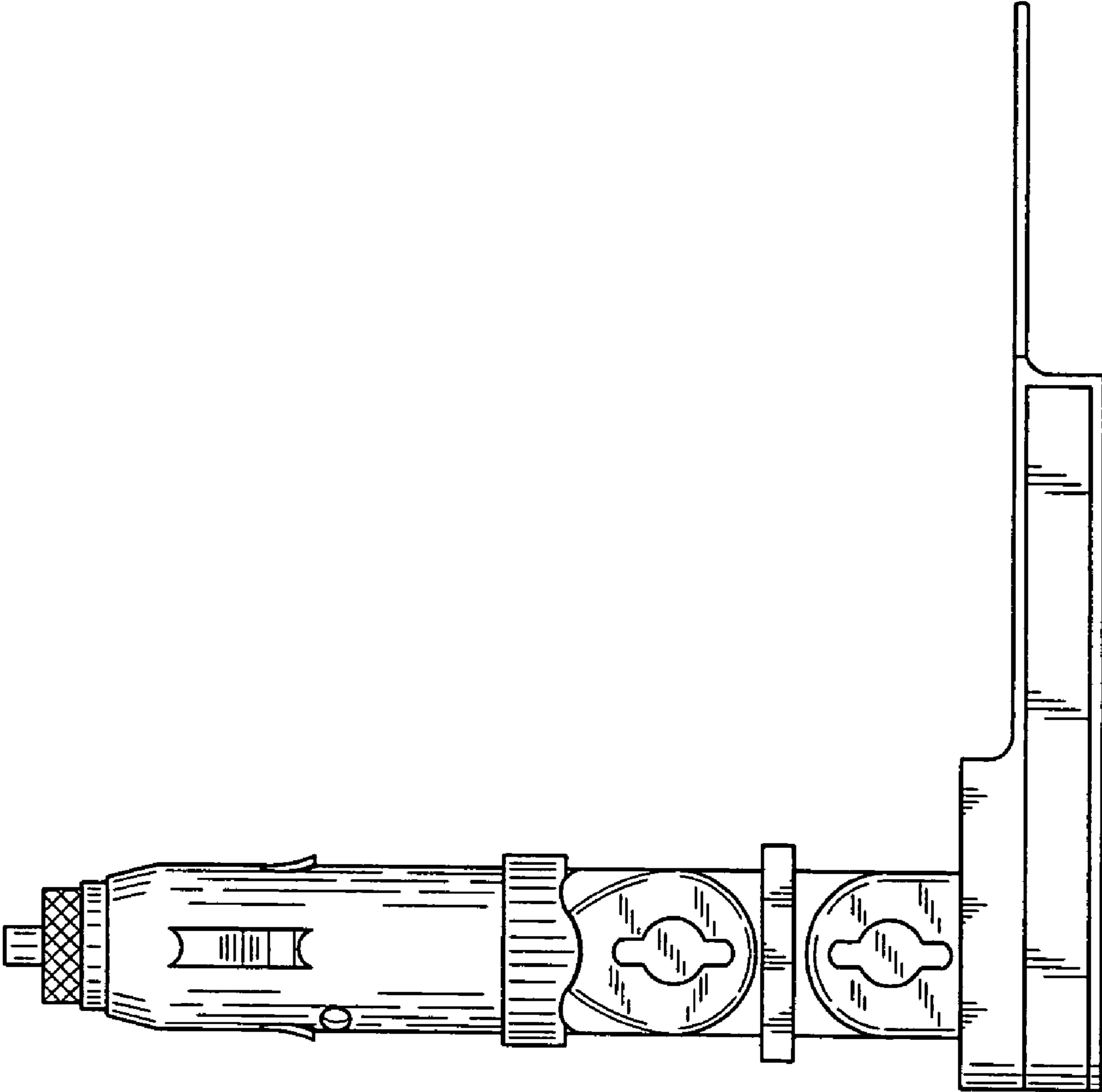


Fig. 6

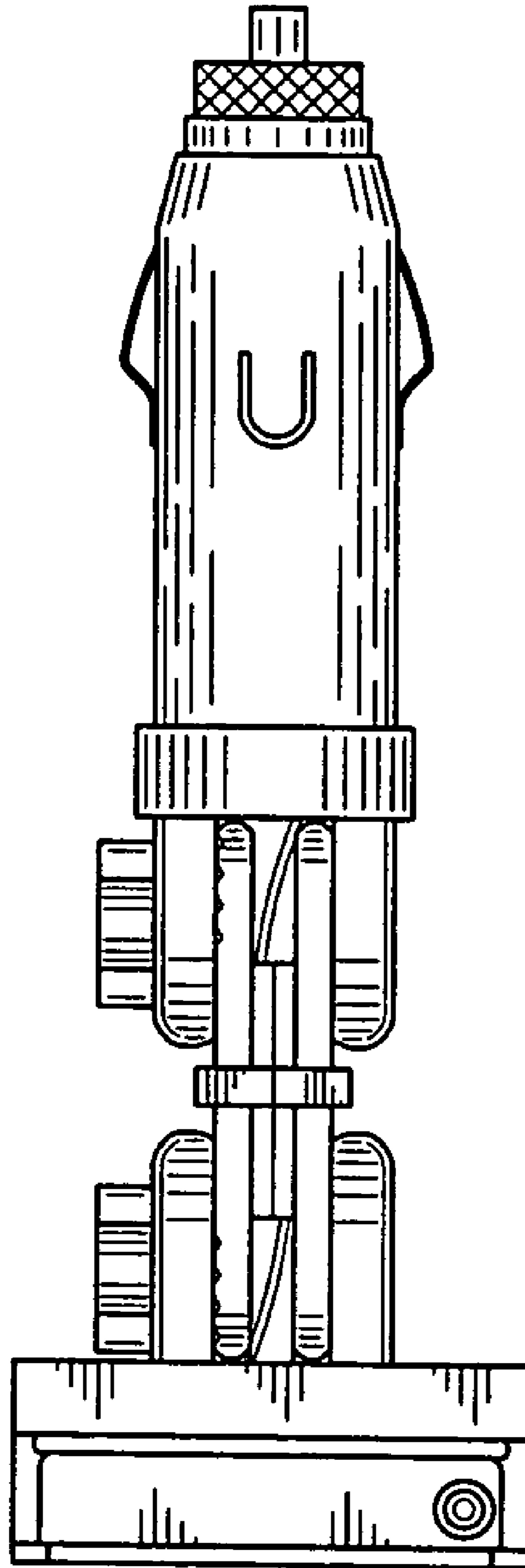


Fig. 7

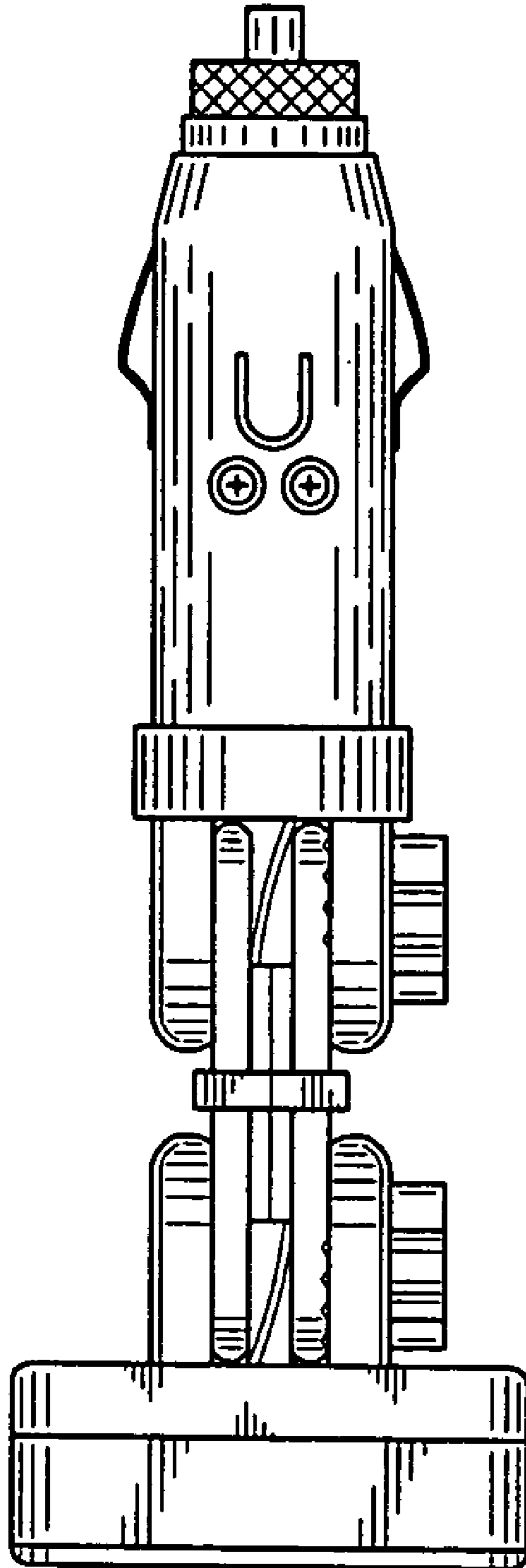


Fig. 8

