

US00D544485S

(12) **United States Design Patent**  
**Chen et al.**

(10) **Patent No.:** **US D544,485 S**  
(45) **Date of Patent:** **\*\* Jun. 12, 2007**

- (54) **HANDHELD COMPUTER**
- (75) Inventors: **Chun-Hsien Chen**, Hsin-Tien (TW);  
**Ming-Che Chan**, Hsin-Tien (TW)
- (73) Assignee: **Unitech Electronics Co., Ltd.**, Taipei (TW)
- (\*\*) Term: **14 Years**
- (21) Appl. No.: **29/233,863**
- (22) Filed: **Jul. 12, 2005**
- (51) **LOC (8) Cl.** ..... **14-02**
- (52) **U.S. Cl.** ..... **D14/428**
- (58) **Field of Classification Search** ..... D14/420,  
D14/425, 426, 428, 429, 453, 346, 34; 358/473;  
235/462.43, 462.45, 462.47, 462.48, 472.01,  
235/472.02; 16/422, 110.1, 430, 431  
See application file for complete search history.

- 5,818,027 A \* 10/1998 Paratore ..... 235/472.01
- D466,116 S \* 11/2002 Bhatia et al. .... D14/346
- 6,497,368 B1 \* 12/2002 Friend et al. .... 235/472.01
- 6,758,403 B1 \* 7/2004 Keys et al. .... 235/462.45
- 7,051,943 B2 \* 5/2006 Leone et al. .... 235/462.45
- 2004/0089722 A1 \* 5/2004 Durbin ..... 235/472.01

\* cited by examiner

*Primary Examiner*—M. H. Tung  
*Assistant Examiner*—Susan Moon Lee

(57) **CLAIM**

The ornamental design for a handheld computer, as shown and described.

**DESCRIPTION**

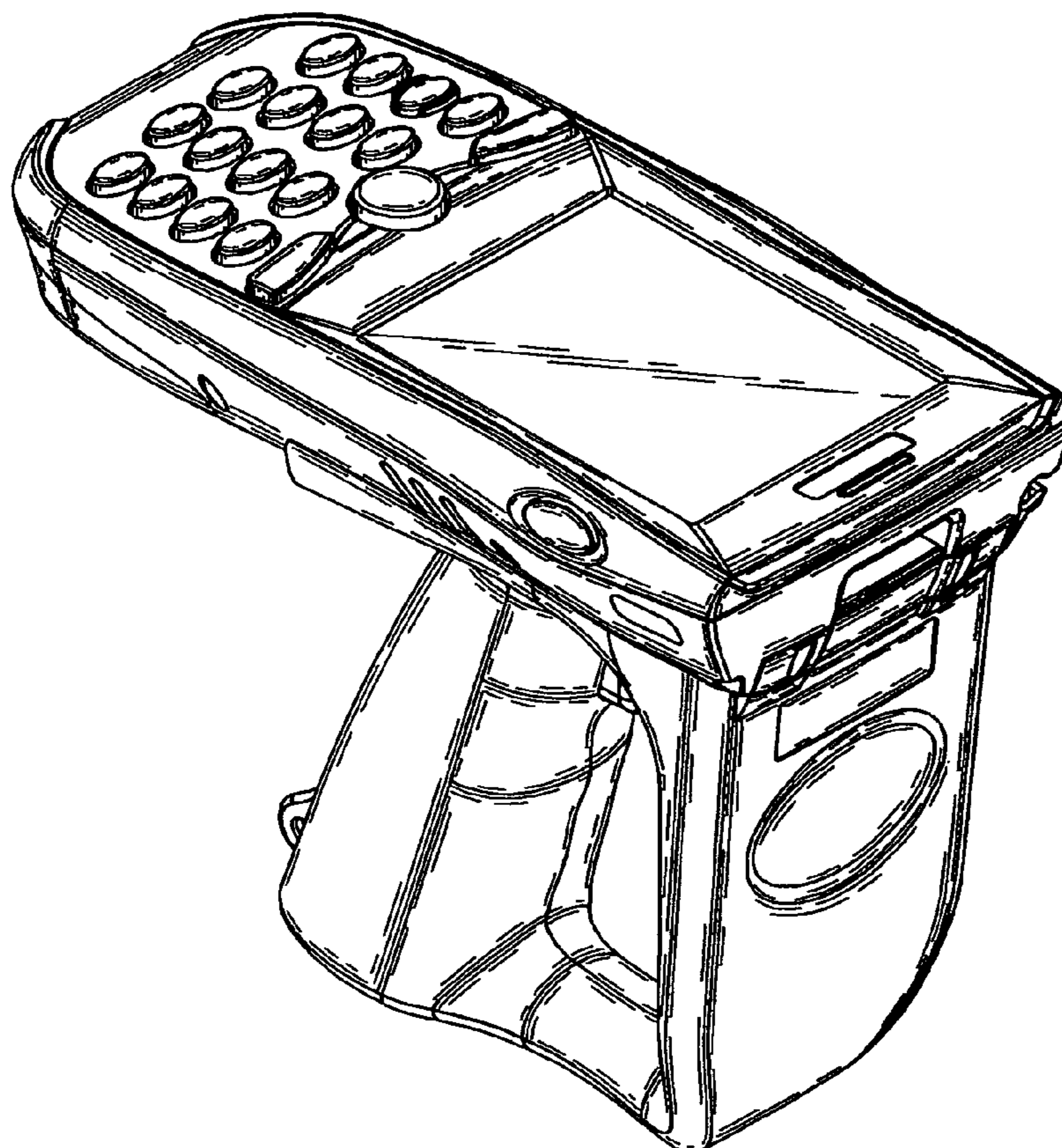
- FIG. 1 is a perspective view of a handheld computer showing our new design.
- FIG. 2 is a front view thereof;
- FIG. 3 is a rear view thereof;
- FIG. 4 is a left side view thereof;
- FIG. 5 is a right side view thereof;
- FIG. 6 is a top view thereof; and,
- FIG. 7 is a bottom view thereof.

(56) **References Cited**

U.S. PATENT DOCUMENTS

- D334,922 S \* 4/1993 Meyerson et al. .... D14/429
- 5,410,141 A \* 4/1995 Koenck et al. .... 235/472.02
- 5,496,992 A \* 3/1996 Madan et al. .... 235/472.02
- 5,736,726 A \* 4/1998 VanHorn et al. .... 235/472.02
- D399,521 S \* 10/1998 Coveley ..... D14/429

**1 Claim, 7 Drawing Sheets**



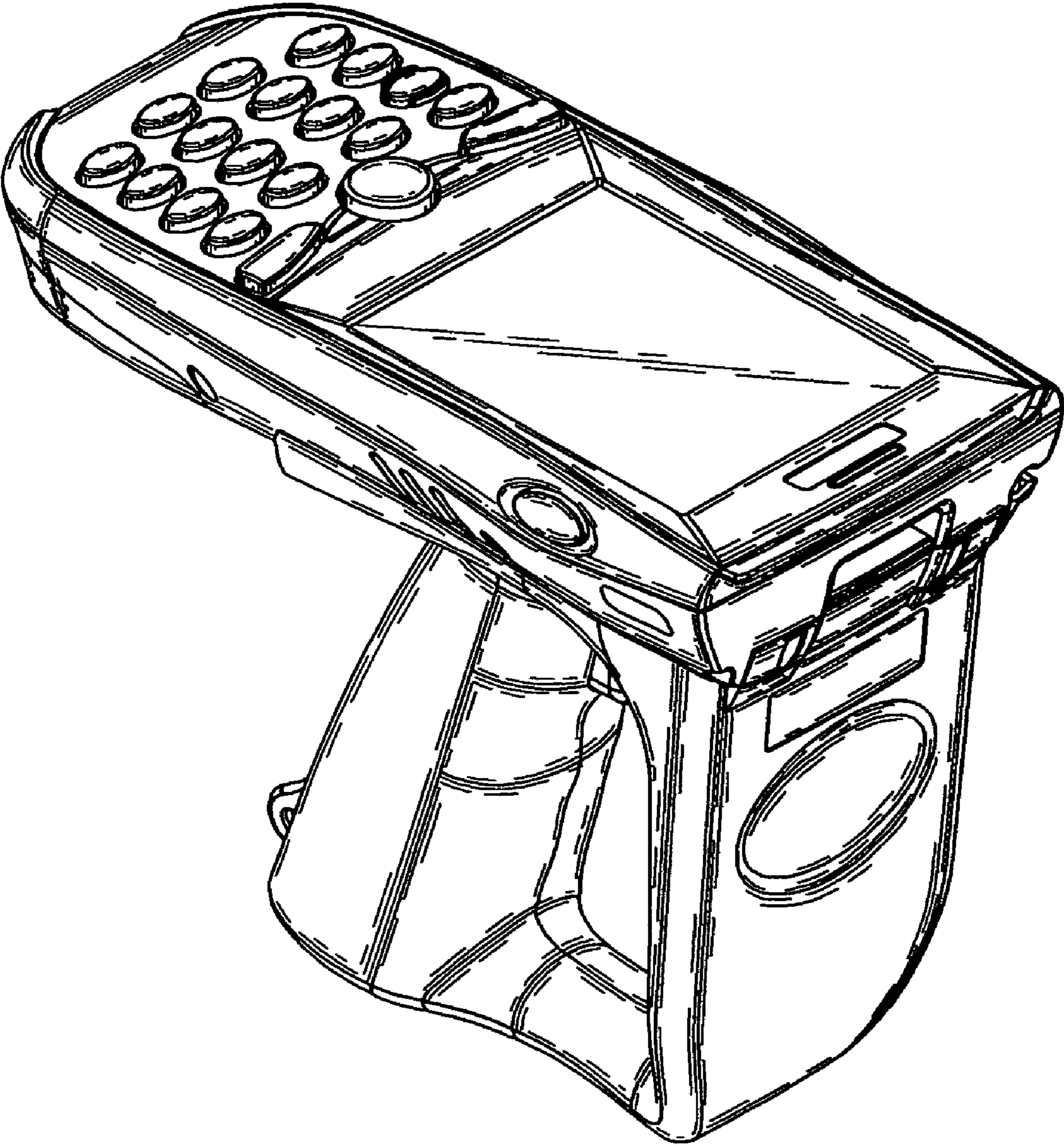


FIG. 1

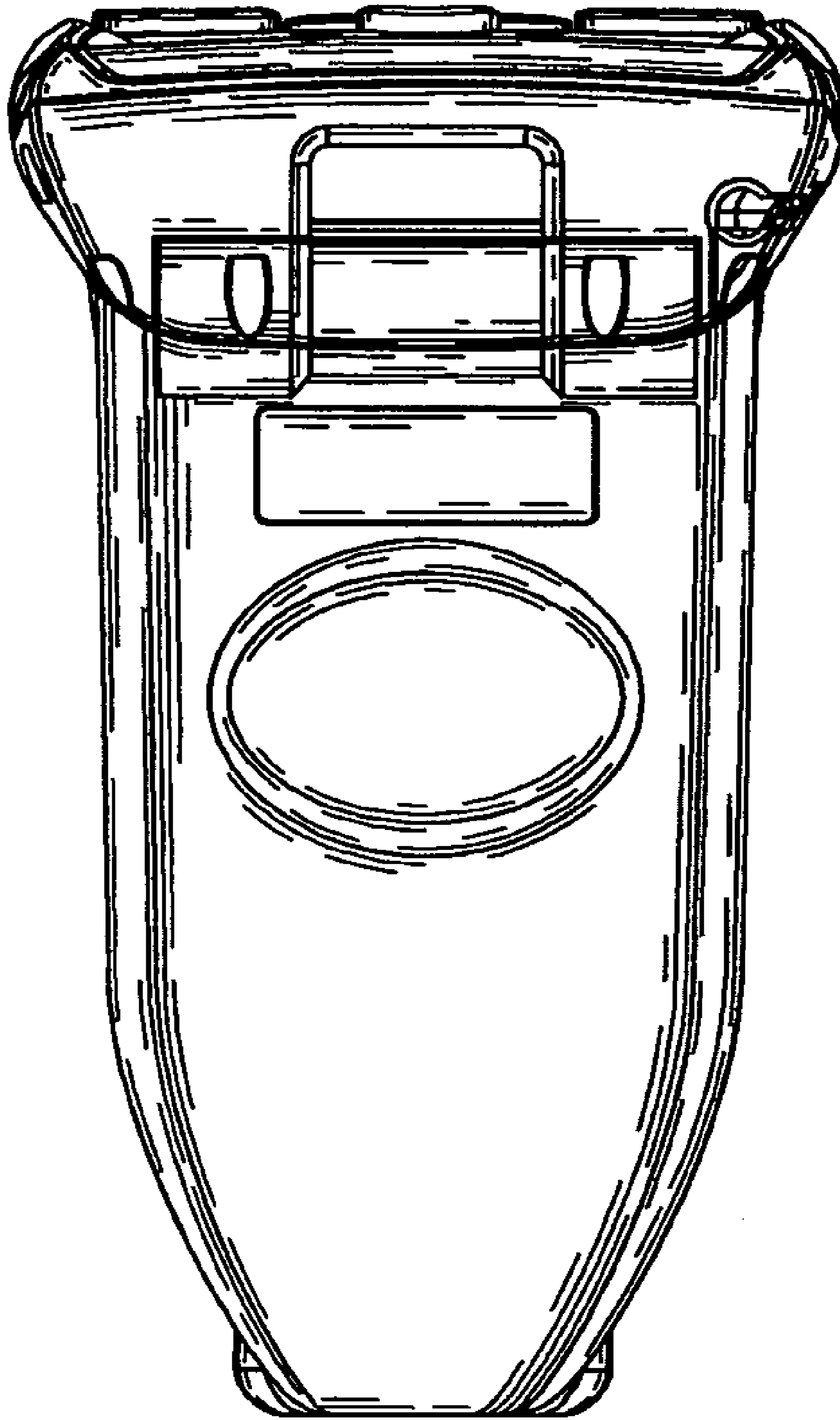


FIG. 2

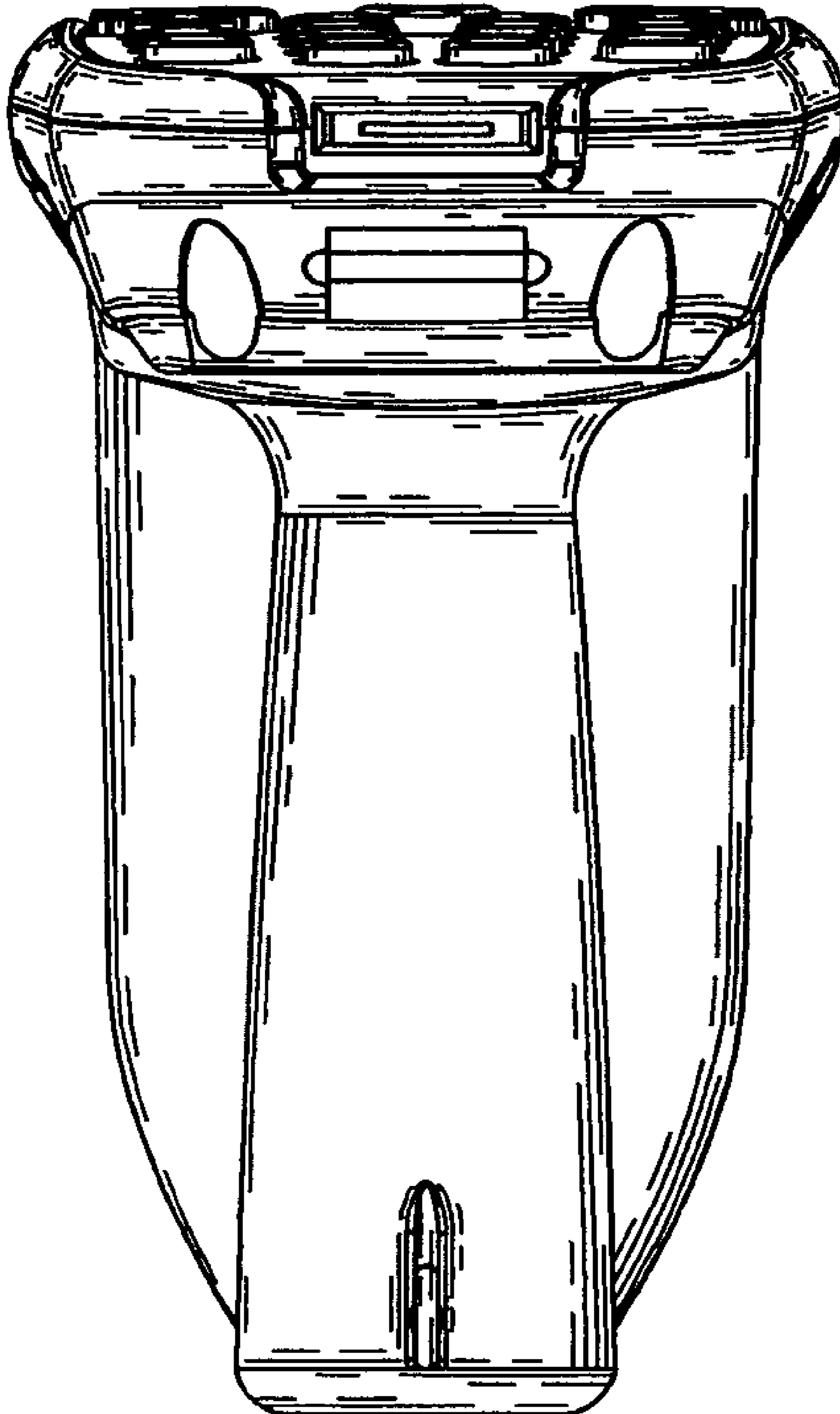


FIG. 3

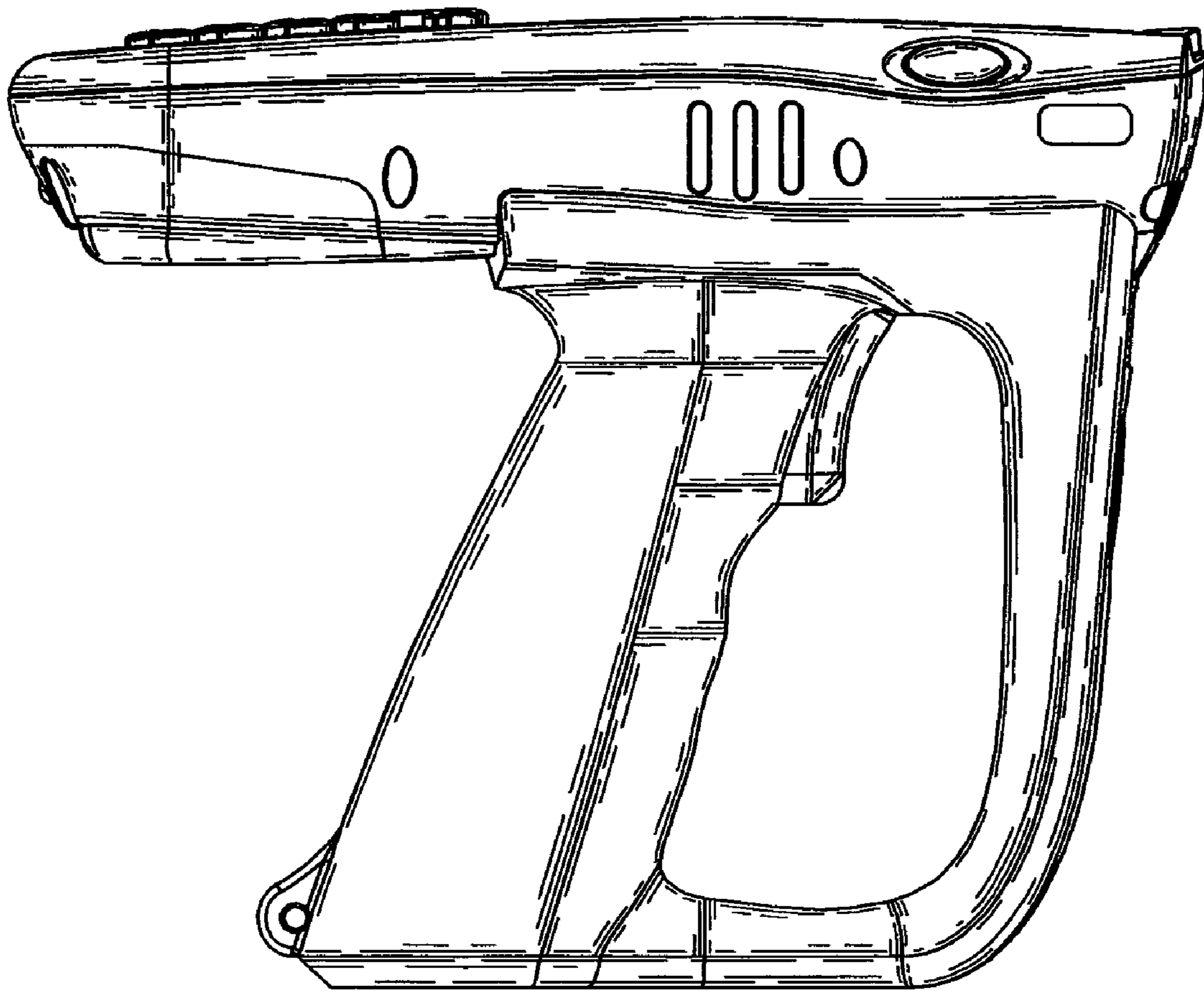


FIG. 4

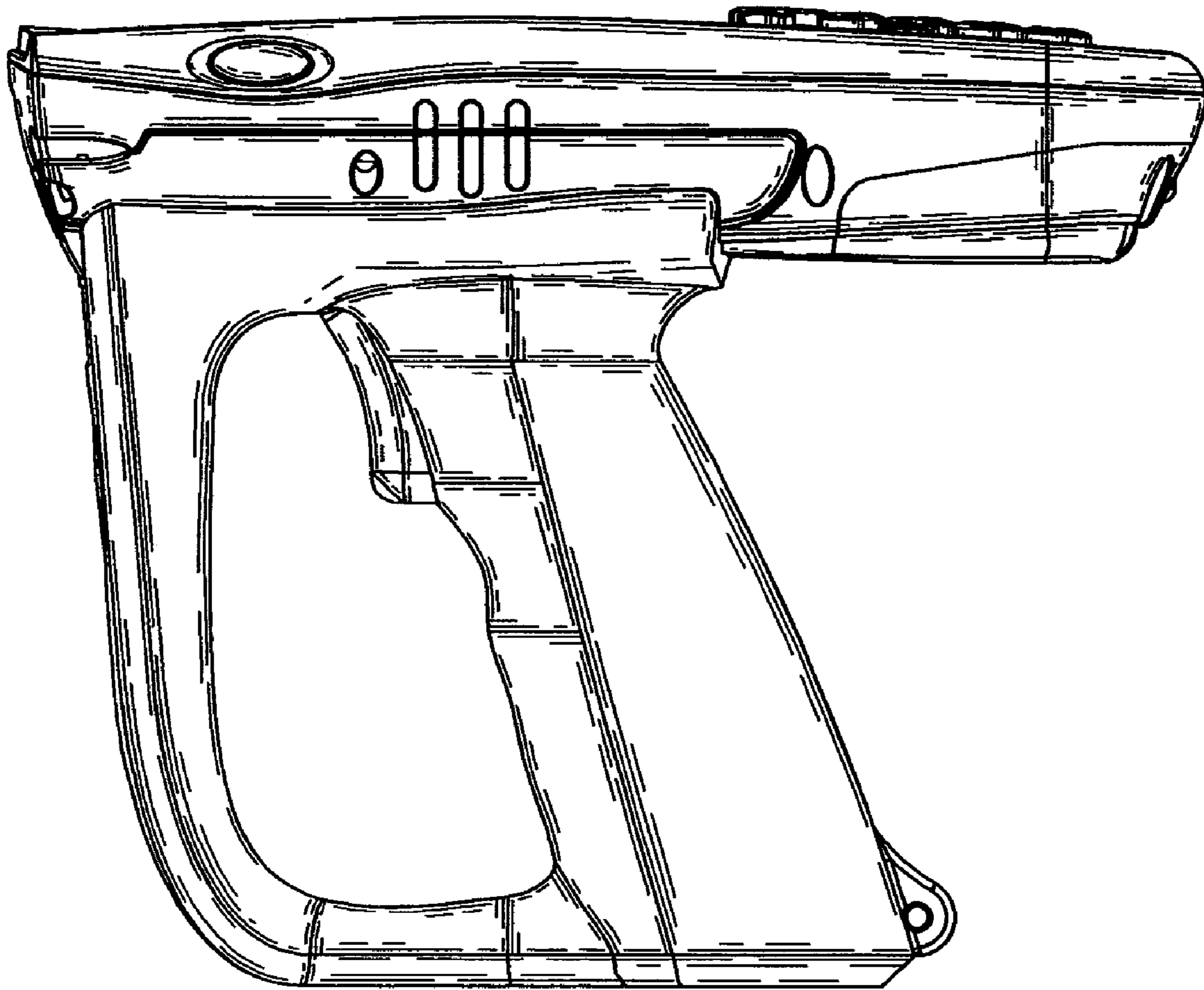


FIG. 5

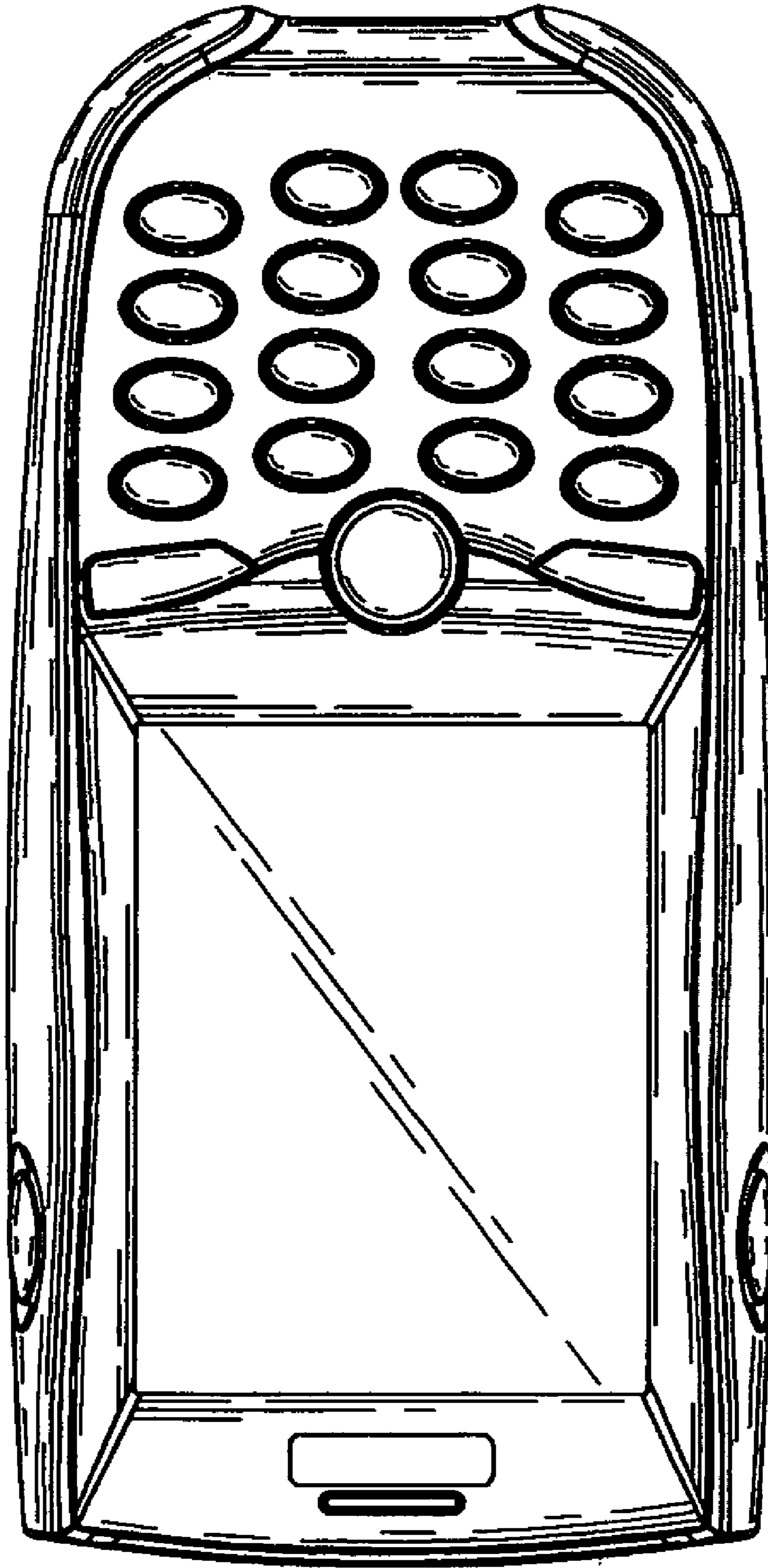


FIG. 6

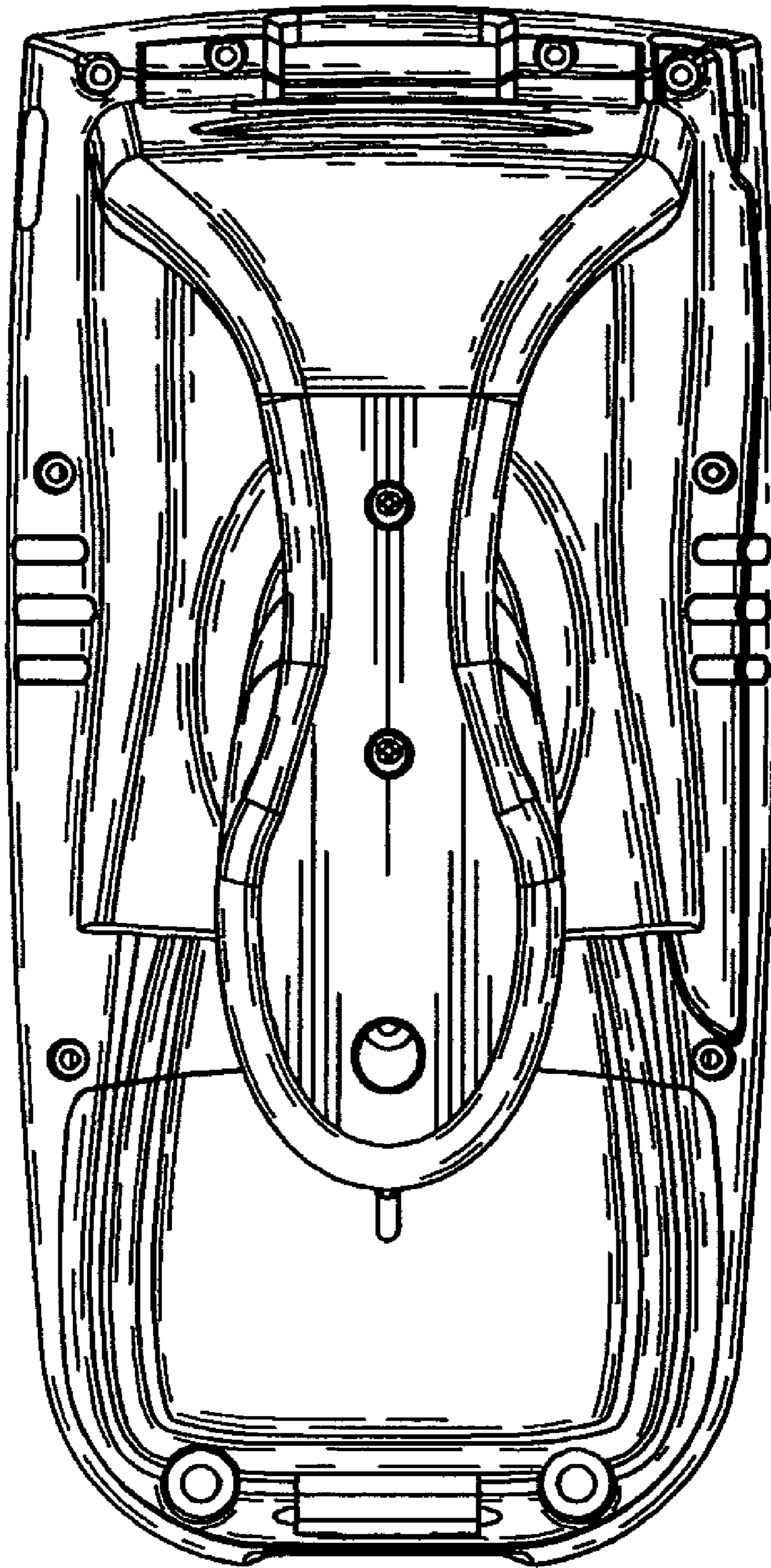


FIG. 7