

US00D544481S

(12) **United States Design Patent**  
**Maddox et al.**

(10) **Patent No.:** **US D544,481 S**  
(45) **Date of Patent:** **\*\* Jun. 12, 2007**

(54) **MOBILE TELEPHONE GAMEPAD CONTROLLER**

D528,106 S \* 9/2006 Lee et al. .... D14/401

**OTHER PUBLICATIONS**

(75) Inventors: **Christopher J. Maddox**, Oceanside, CA (US); **Mark J. Hassebrock**, Frederick, CO (US); **Philip Hobson Boothby**, Boulder, CO (US); **Michael D. Johnson**, Longmont, CO (US); **Robert James Stone**, Arvada, CO (US); **Craig Ronald Townsend**, Broomfield, CO (US)

Internet Document: Samsung Game Pad for Samsung SPH-a620 (VGA1000) (at <http://www.originalwireless.com/vga1000.html> (Feb. 3, 2006)).  
Internet Document: Sony Ericsson Game Board EGB-10 (at [http://www.sonyericsson.com/spg.jsp?cc=us&lc=en&ver=4000&template=pp4\\_1\\_1&zone=pp&lm=pp4\\_1&pid=10110](http://www.sonyericsson.com/spg.jsp?cc=us&lc=en&ver=4000&template=pp4_1_1&zone=pp&lm=pp4_1&pid=10110) (Feb. 3, 2006)).

\* cited by examiner

(73) Assignee: **Kyocera Wireless Corp.**, San Diego, CA (US)

*Primary Examiner*—Stella Reid  
*Assistant Examiner*—Keli L. Acker

(\*\*) Term: **14 Years**

(57) **CLAIM**

(21) Appl. No.: **29/238,054**

The ornamental design for a mobile telephone gamepad controller, as shown and described.

(22) Filed: **Sep. 9, 2005**

**DESCRIPTION**

(51) **LOC (8) Cl.** ..... **14-03**

(52) **U.S. Cl.** ..... **D14/401; D14/240**

(58) **Field of Classification Search** ..... D14/356, D14/388, 399, 400, 432, 454-457, 412-416, D14/401, 217, 240; D21/324, 333, 329, D21/331, 332; 463/1, 30, 36-38, 46-47; 273/148 B, 148 R; 345/156-161, 905  
See application file for complete search history.

FIG. 1 is a front perspective view of a mobile telephone gamepad controller according to one embodiment.

FIG. 2 is a rear view of the mobile telephone gamepad controller of FIG. 1.

FIG. 3 is a front view of the mobile telephone gamepad controller of FIG. 1.

FIG. 4 is a top view of the mobile telephone gamepad controller of FIG. 1.

FIG. 5 is a bottom view of the mobile telephone gamepad controller of FIG. 1.

FIG. 6 is a left side view of the mobile telephone gamepad controller of FIG. 1; and,

FIG. 7 is a right side view of the mobile telephone gamepad controller of FIG. 1.

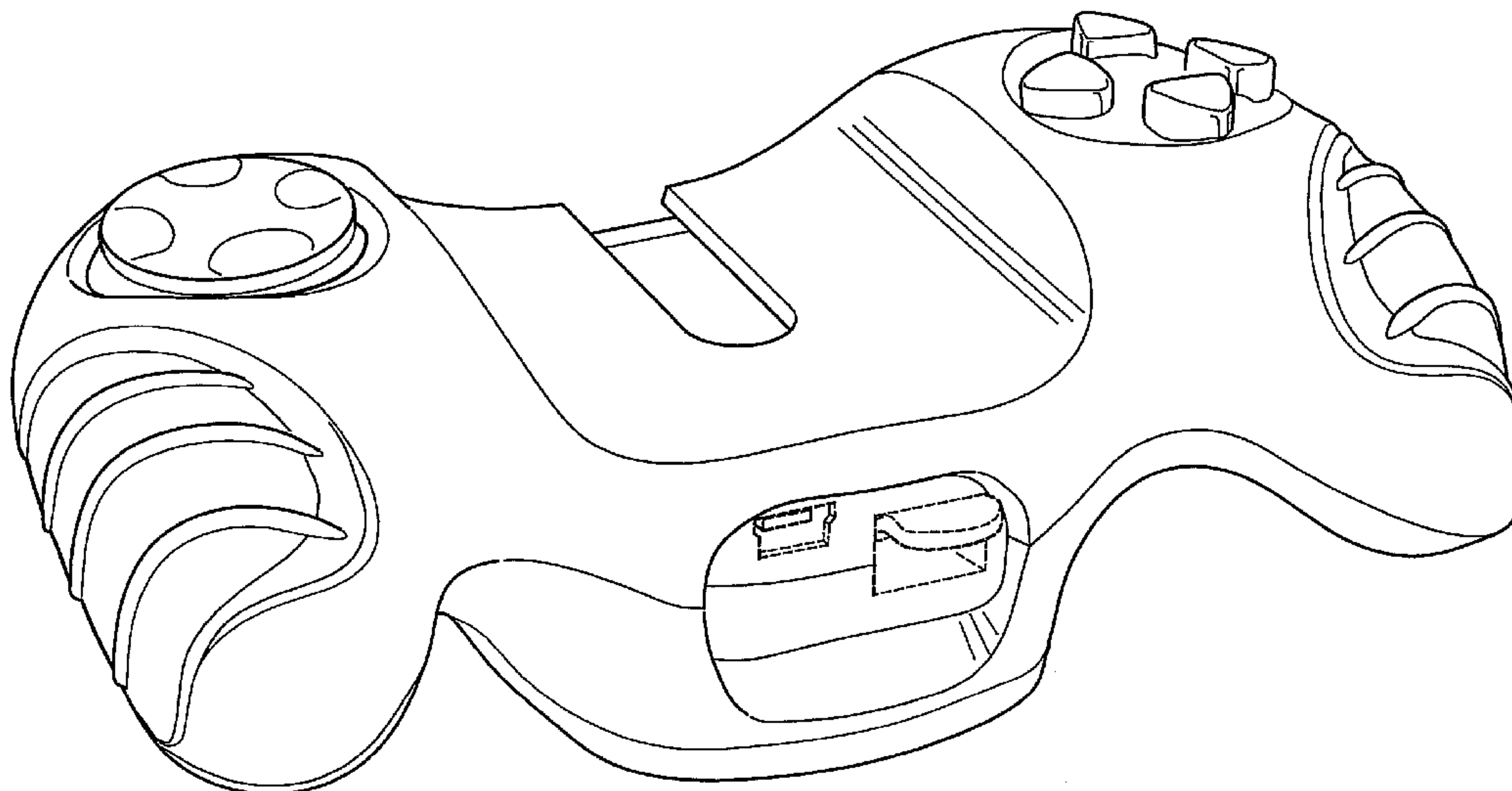
The broken lines are for purposes of illustration only and form no part of the claimed invention.

(56) **References Cited**

**U.S. PATENT DOCUMENTS**

D414,484 S *	9/1999	Oikawa	.....	D14/400
D431,604 S *	10/2000	Chan	.....	D14/413
D435,553 S *	12/2000	Dougan et al.	.....	D14/401
D451,513 S *	12/2001	Stewart et al.	.....	D14/413
D465,244 S *	11/2002	Hussaini et al.	.....	D21/333
6,530,838 B2 *	3/2003	Ha et al.	.....	463/36
D492,293 S *	6/2004	Kim	.....	D14/247
D492,294 S *	6/2004	Kim	.....	D14/247
D500,319 S *	12/2004	Wada	.....	D14/401

**1 Claim, 4 Drawing Sheets**



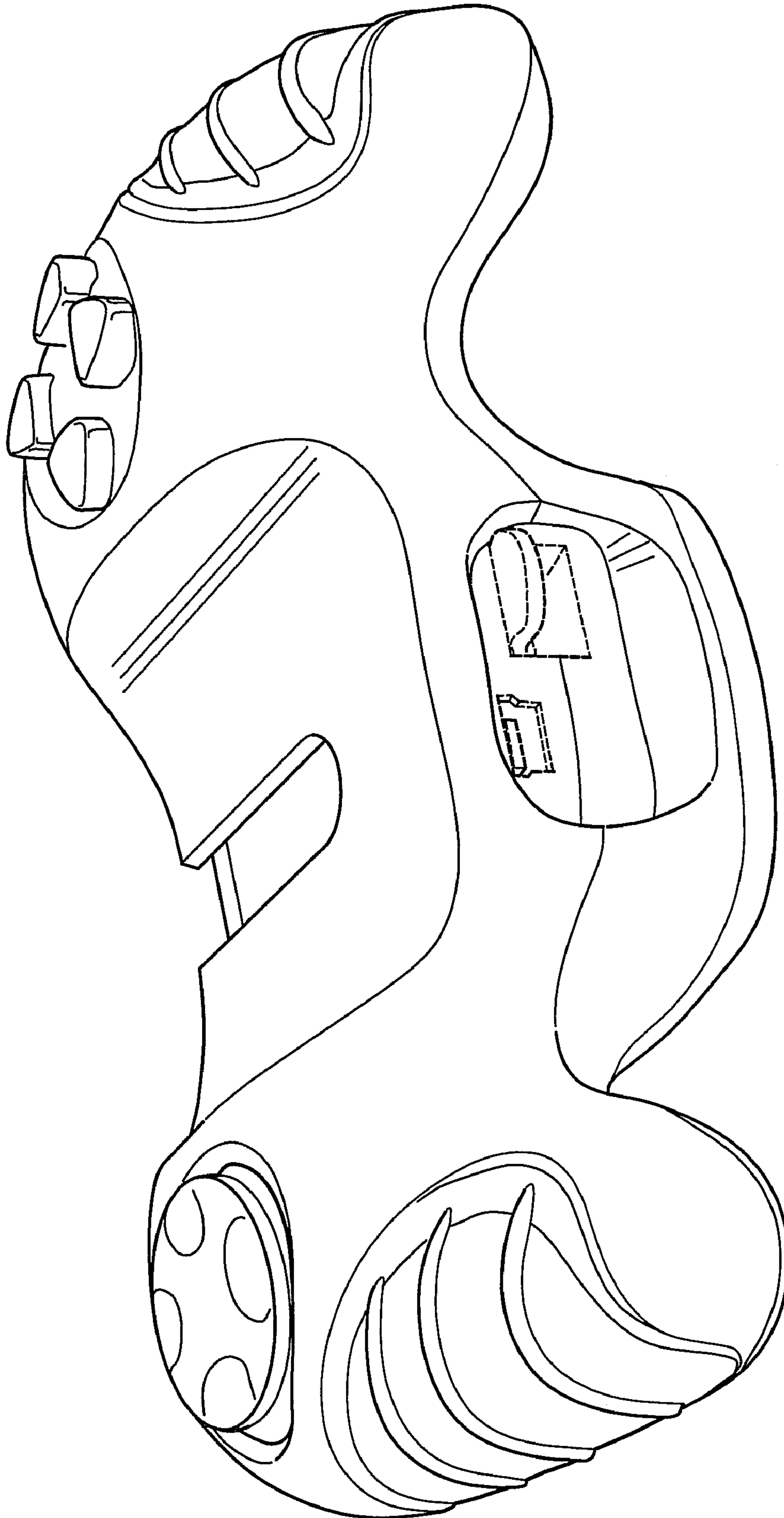


FIG. 1

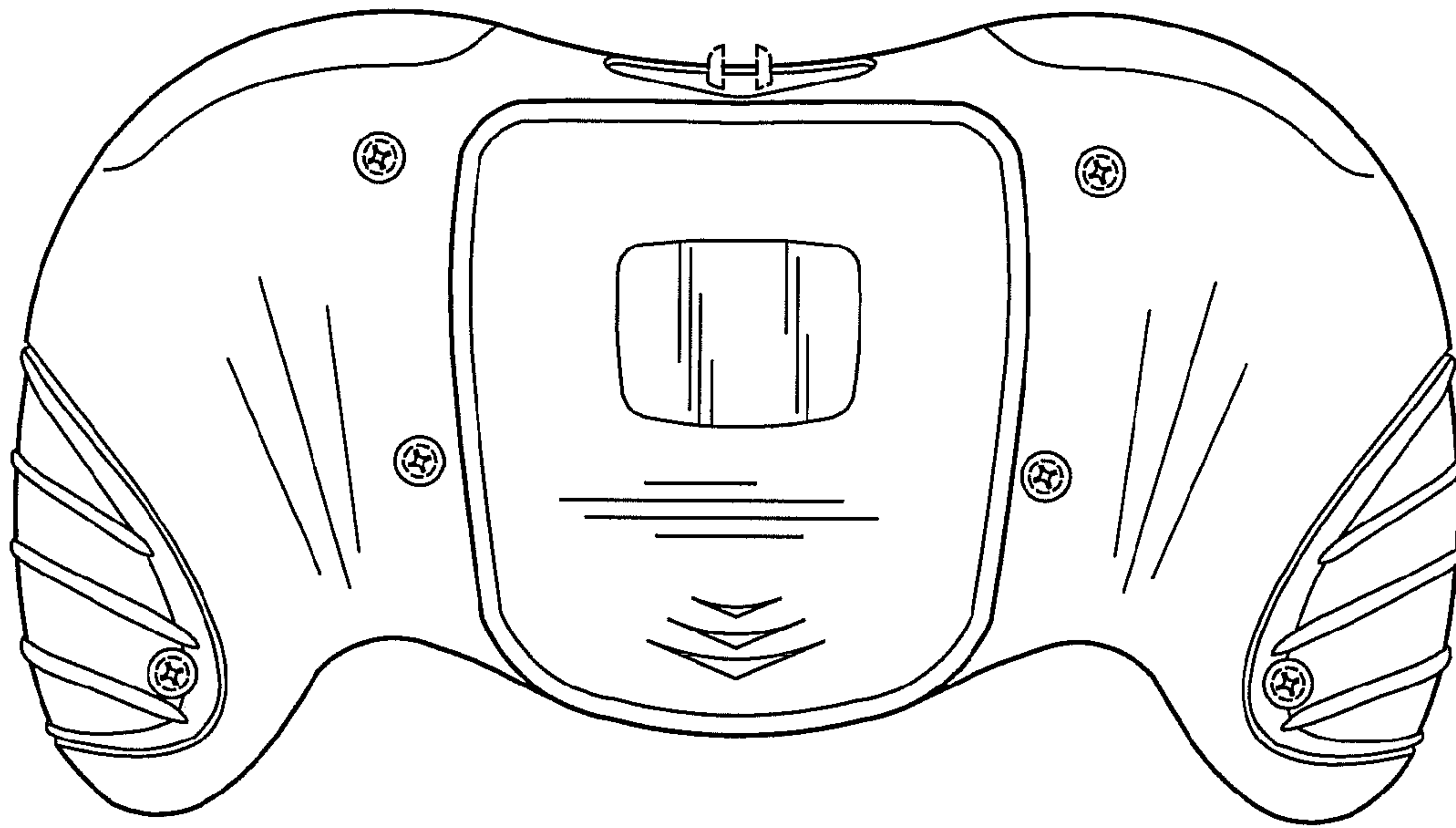


FIG. 2

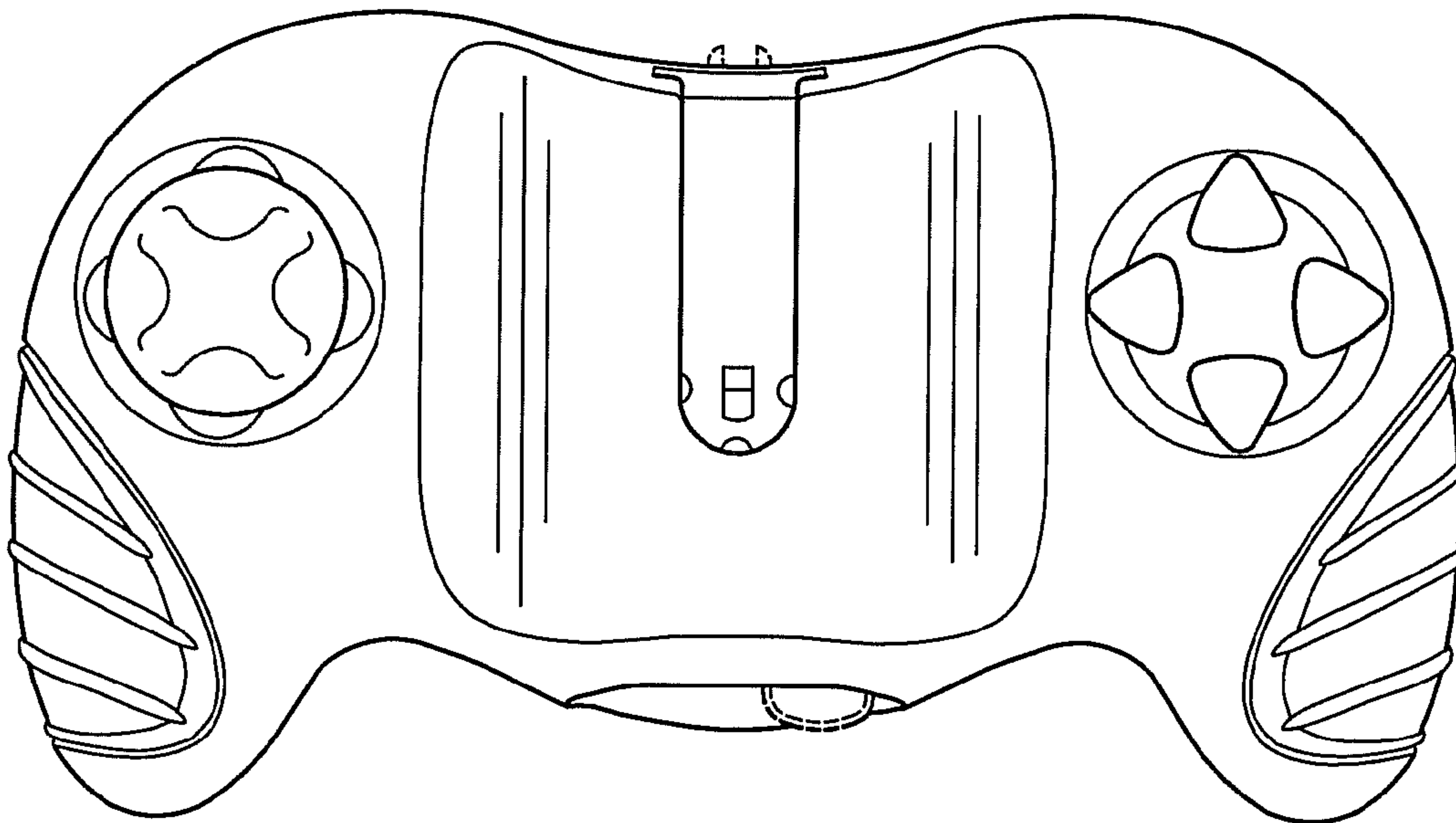


FIG. 3

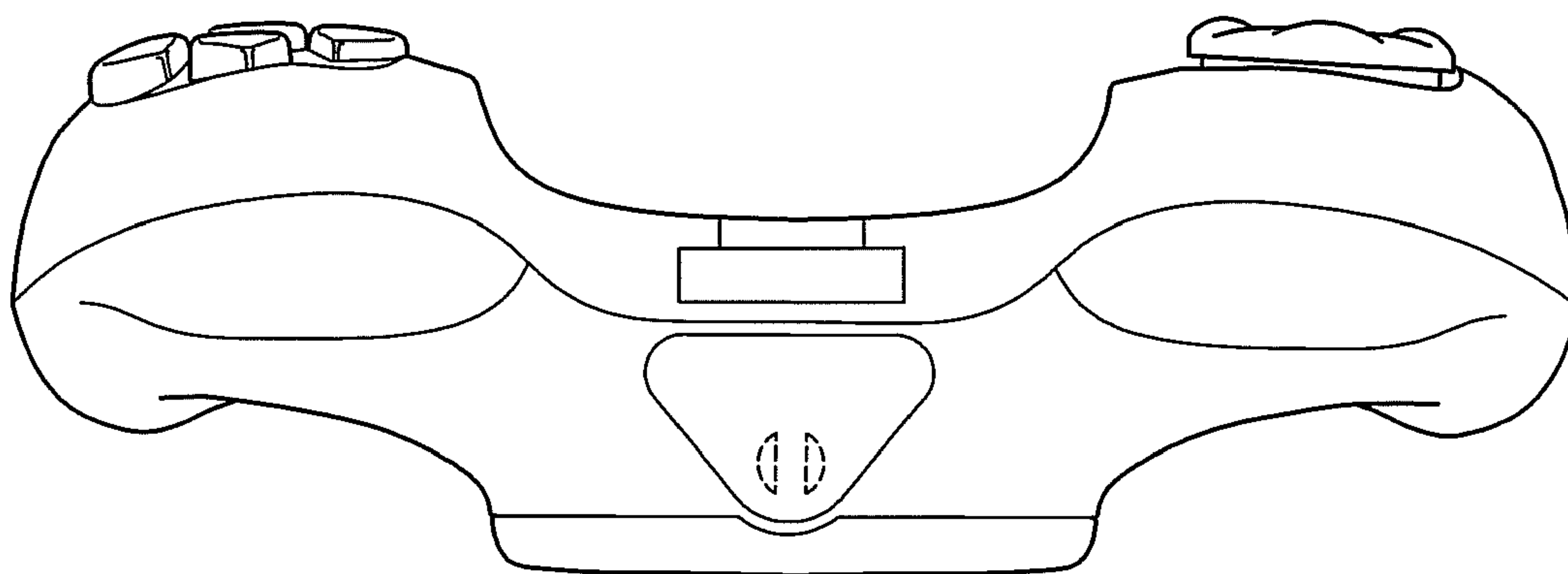


FIG. 4

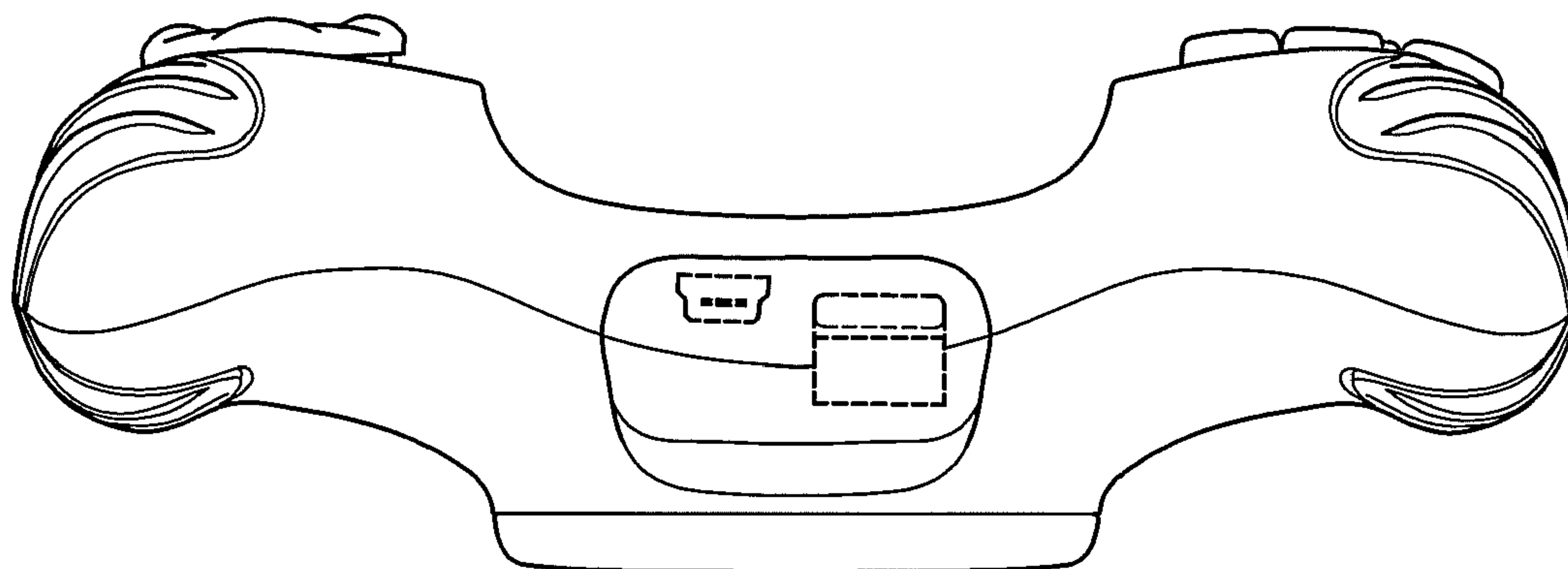


FIG. 5



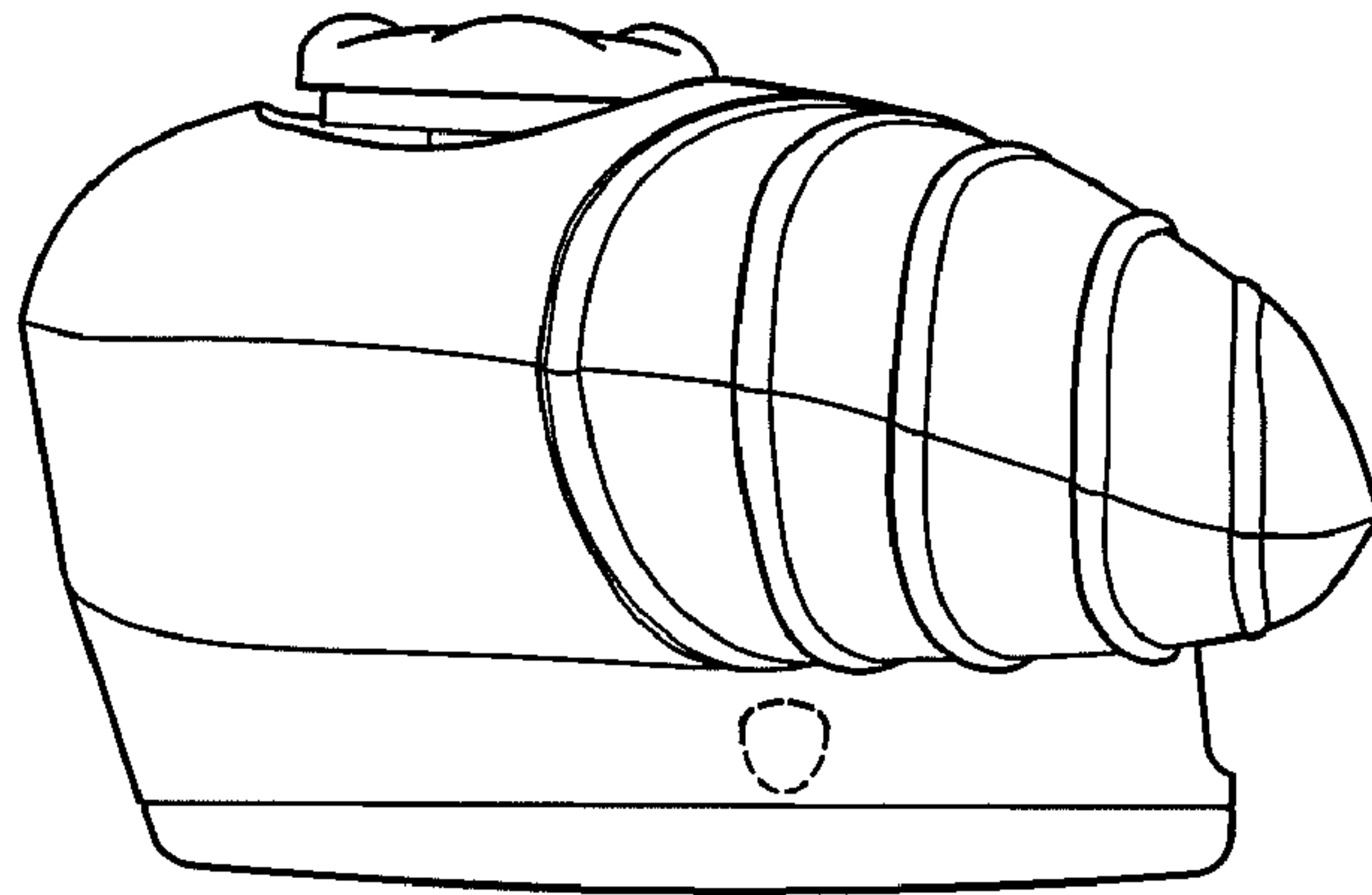


FIG. 6

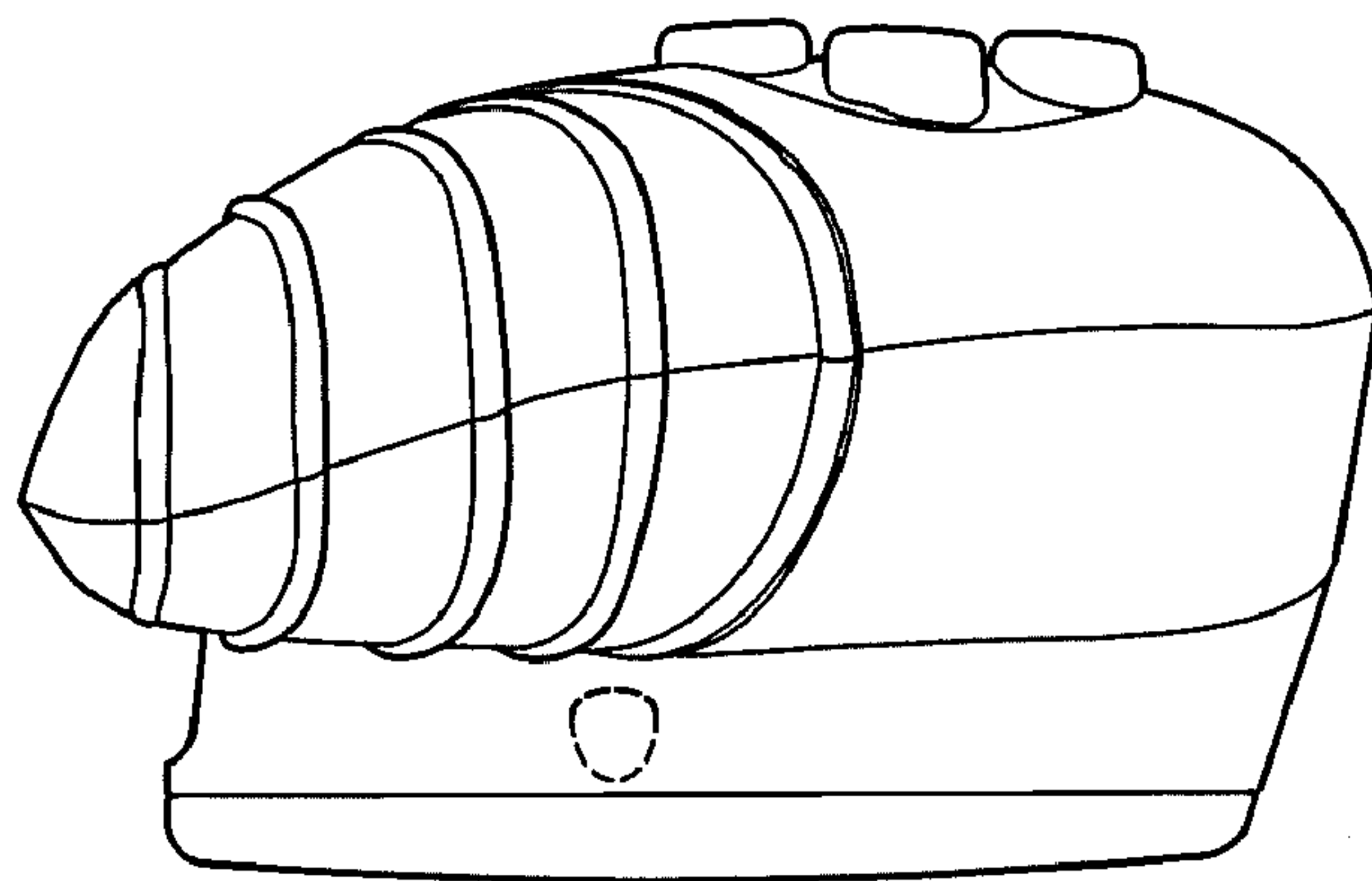


FIG. 7