



US00D544480S

(12) **United States Design Patent**
Murakami

(10) **Patent No.:** **US D544,480 S**
(45) **Date of Patent:** **** Jun. 12, 2007**

(54) **RECEIVER FOR WIRELESS MOUSE**

(57) **CLAIM**

(75) Inventor: **Tomonari Murakami**, Tokyo (JP)

The ornamental design for a receiver for wireless mouse, as shown and described.

(73) Assignee: **Sony Corporation**, Tokyo (JP)

(**) Term: **14 Years**

DESCRIPTION

(21) Appl. No.: **29/217,372**

FIG. 1 is a perspective view of a receiver for wireless mouse showing my new design;

(22) Filed: **Nov. 17, 2004**

FIG. 2 is a front elevational view thereof;

(51) **LOC (8) Cl.** **14-02**

FIG. 3 is a rear elevational view thereof;

(52) **U.S. Cl.** **D14/358; D14/496**

FIG. 4 is a left side elevational view thereof;

(58) **Field of Classification Search** D14/496,
D14/433, 356-358, 402, 413, 432, 434; D13/110,
D13/123; 273/148 B, 148 A; 463/1, 40-47;
369/1, 2, 11; 345/156, 163, 903, 905; 439/500
See application file for complete search history.

FIG. 5 is a right side elevational view thereof;

FIG. 6 is a top plan view thereof;

FIG. 7 is a bottom plan view thereof;

FIG. 8 is a perspective view of a receiver portion of the receiver shown in FIGS. 1-7;

(56) **References Cited**

U.S. PATENT DOCUMENTS

5,284,366	A *	2/1994	Herberman et al.	285/26
5,402,486	A *	3/1995	Wang et al.	379/433.03
5,544,382	A *	8/1996	Giuliani et al.	15/22.1
D433,381	S *	11/2000	Talesfore	D13/123
D440,980	S *	4/2001	Chung	D14/496
D460,076	S *	7/2002	Lloyd	D14/433
6,611,657	B2 *	8/2003	Flannery	386/125
D485,269	S *	1/2004	Jones et al.	D14/358
D487,274	S	3/2004	Nakamura		
D489,720	S *	5/2004	Sasaki	D14/358
D514,563	S *	2/2006	Kuramashi et al.	D14/358
D529,044	S *	9/2006	Andre et al.	D14/496

FIG. 9 is a front elevational view thereof;

FIG. 10 is a rear elevational view thereof;

FIG. 11 is a left side elevational view thereof;

FIG. 12 is a right side elevational view thereof;

FIG. 13 is a top plan view thereof;

FIG. 14 is a bottom plan view thereof;

FIG. 15 is a perspective view of a cradle portion of the receiver shown in FIGS. 1-7;

FIG. 16 is a front elevational view thereof;

FIG. 17 is a rear elevational view thereof;

FIG. 18 is a left side elevational view thereof;

FIG. 19 is a right side elevational view thereof;

FIG. 20 is a top plan view thereof; and,

FIG. 21 is a bottom plan view thereof.

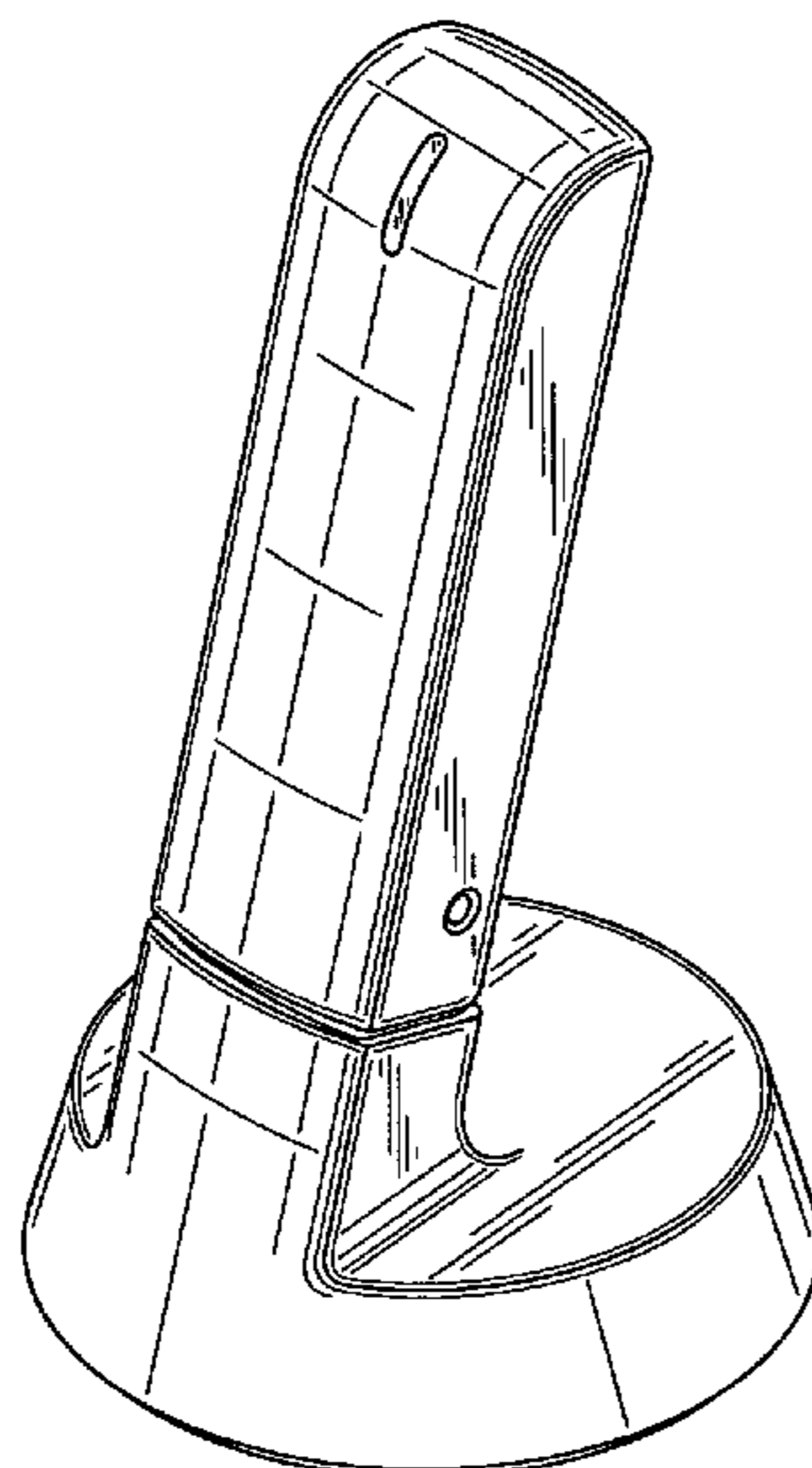
The receiver portion and cradle portion of the receiver for wireless mouse have been shown separately in FIGS. 8-14 and 15-21 respectively for clarity.

* cited by examiner

Primary Examiner—Prabhakar Deshmukh

(74) *Attorney, Agent, or Firm*—Rader, Fishman & Grauer PLLC

1 Claim, 13 Drawing Sheets



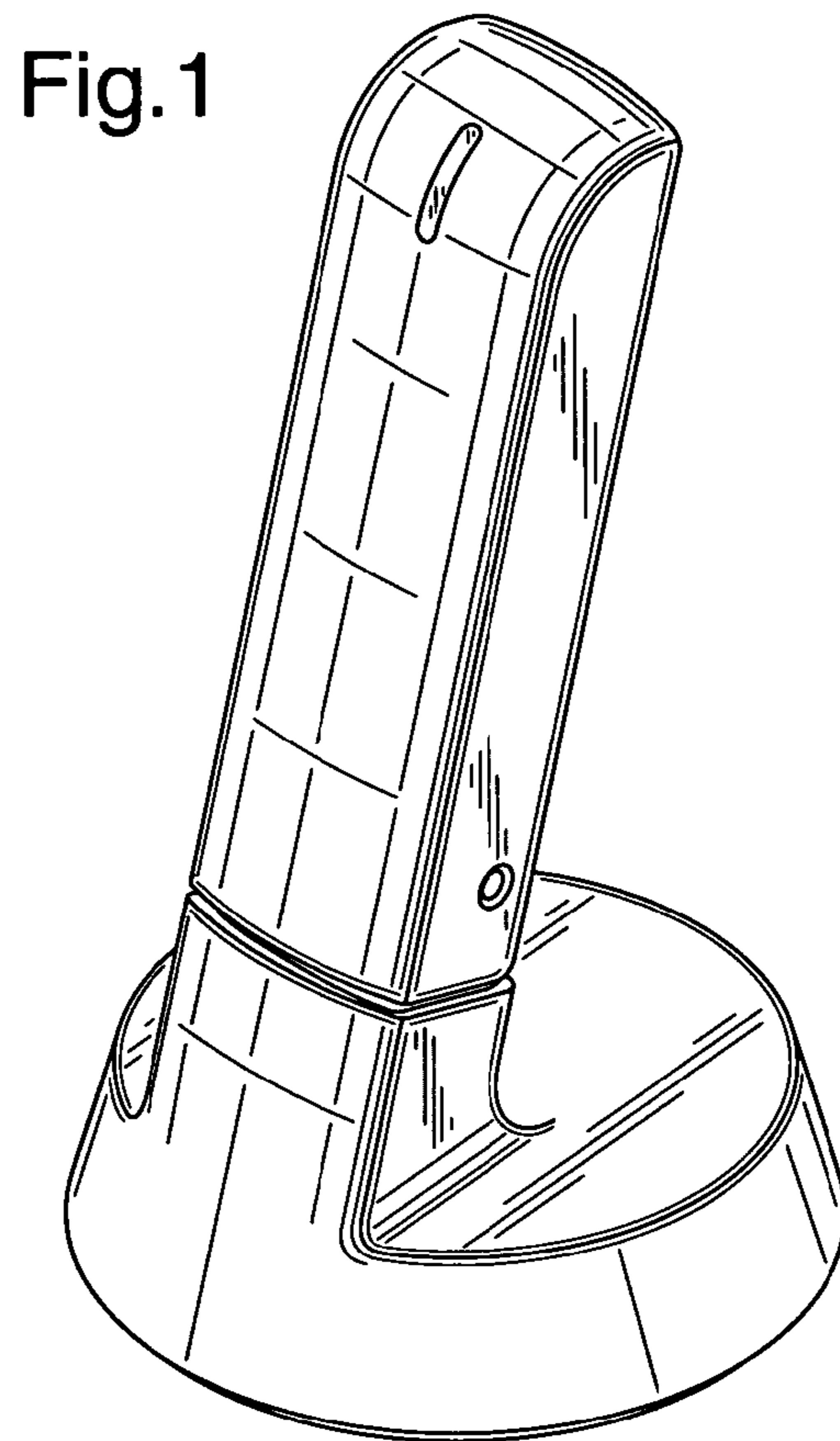


Fig.2

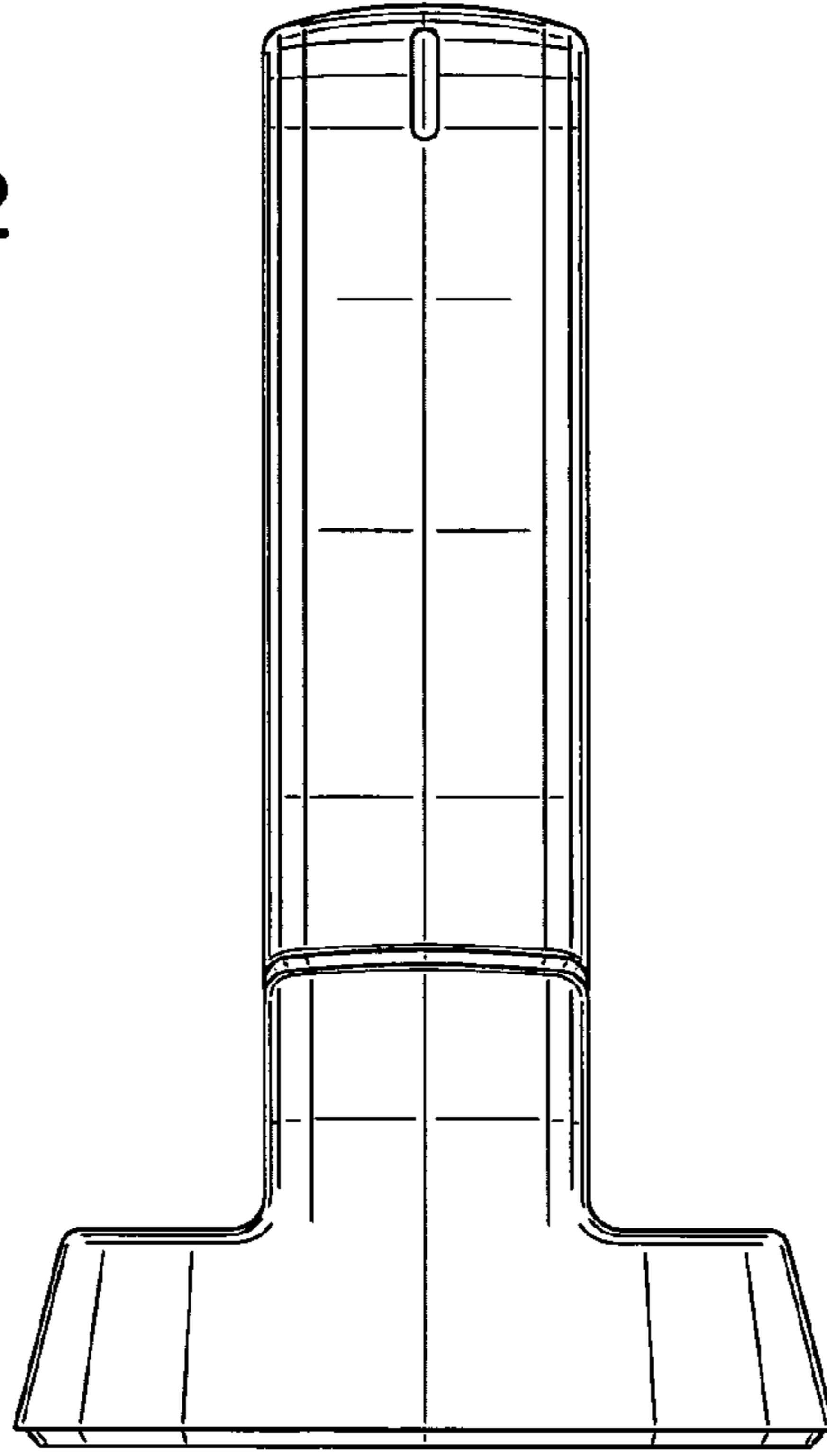


Fig.3

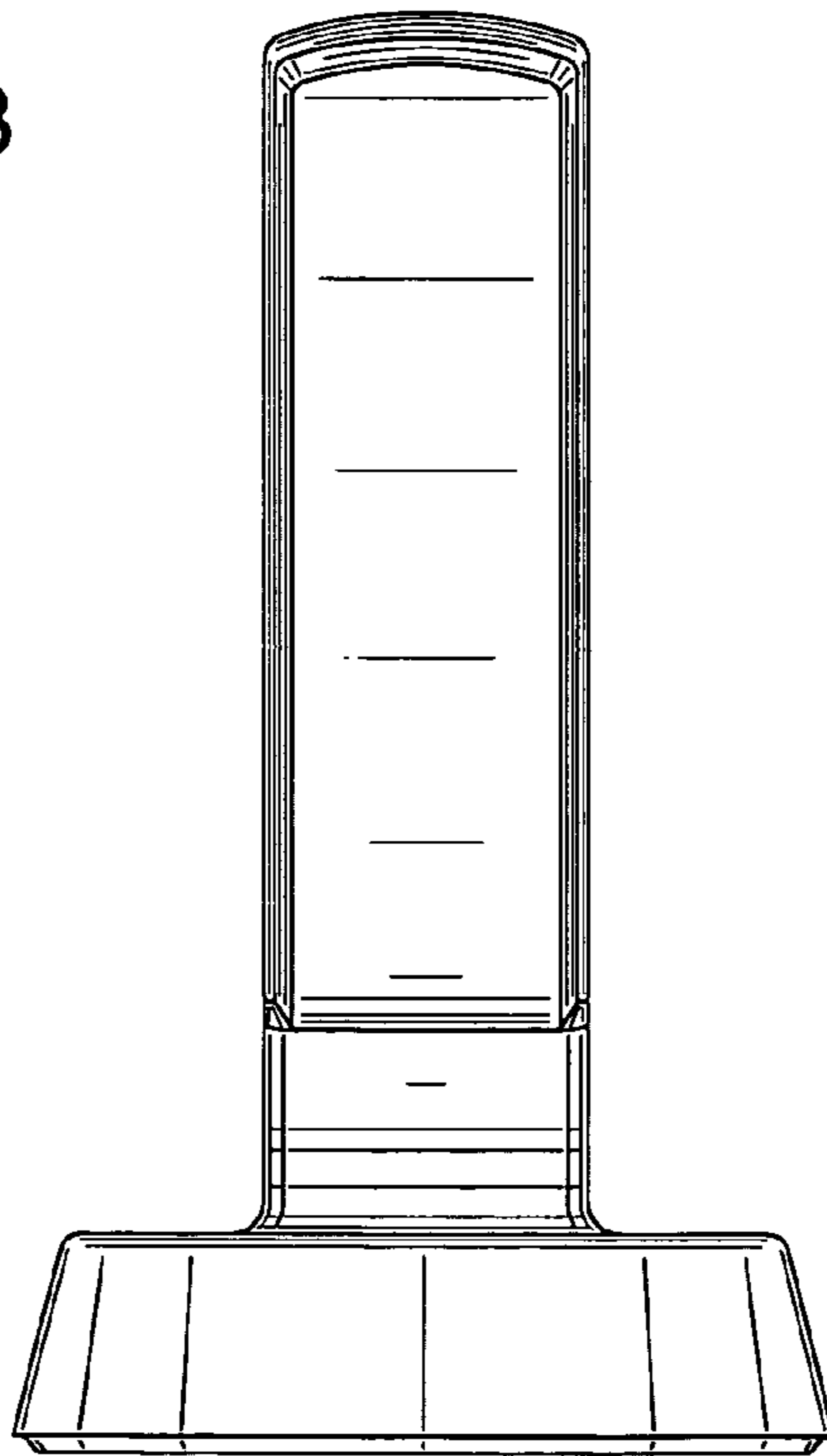


Fig.4

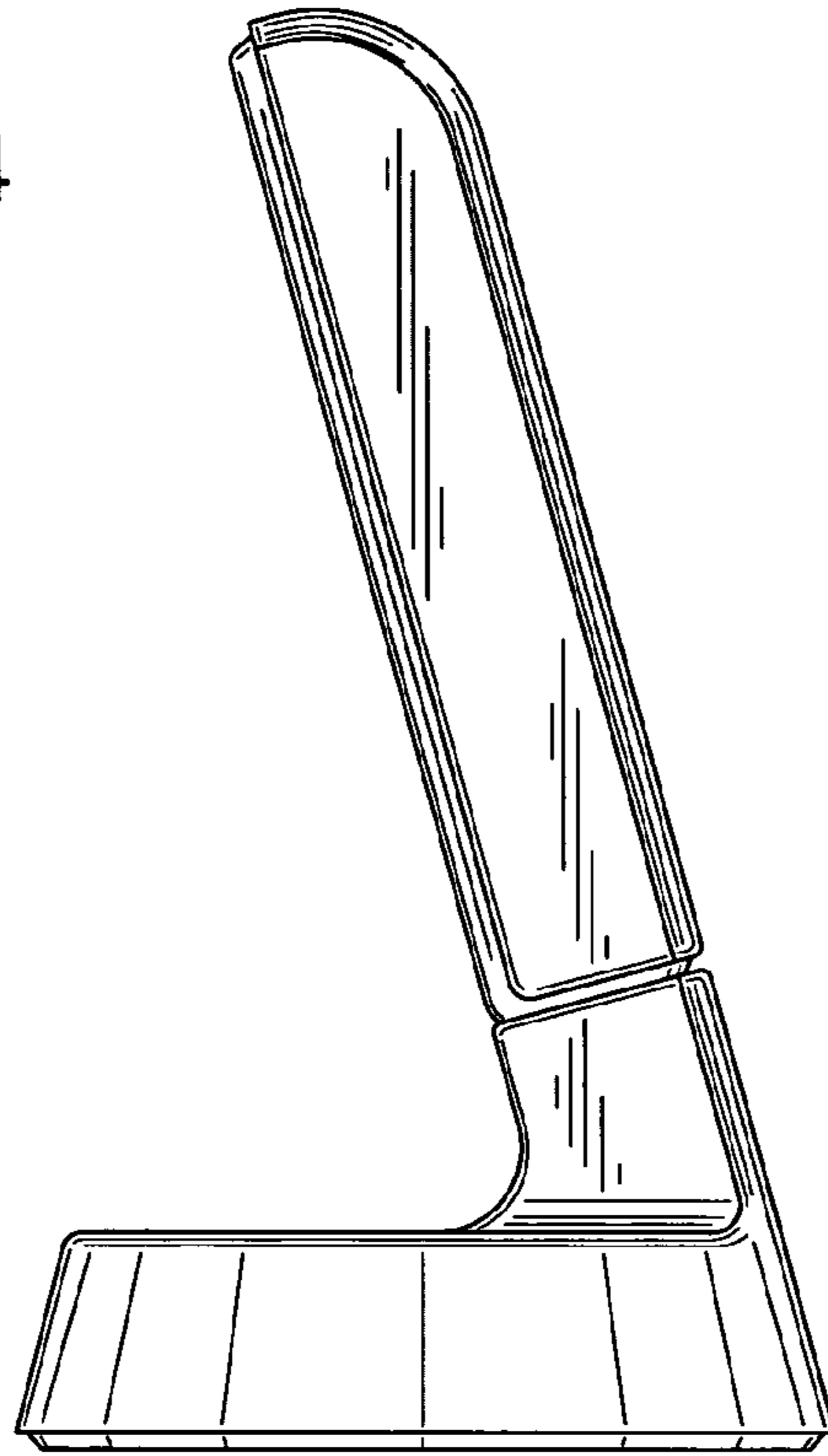


Fig.5

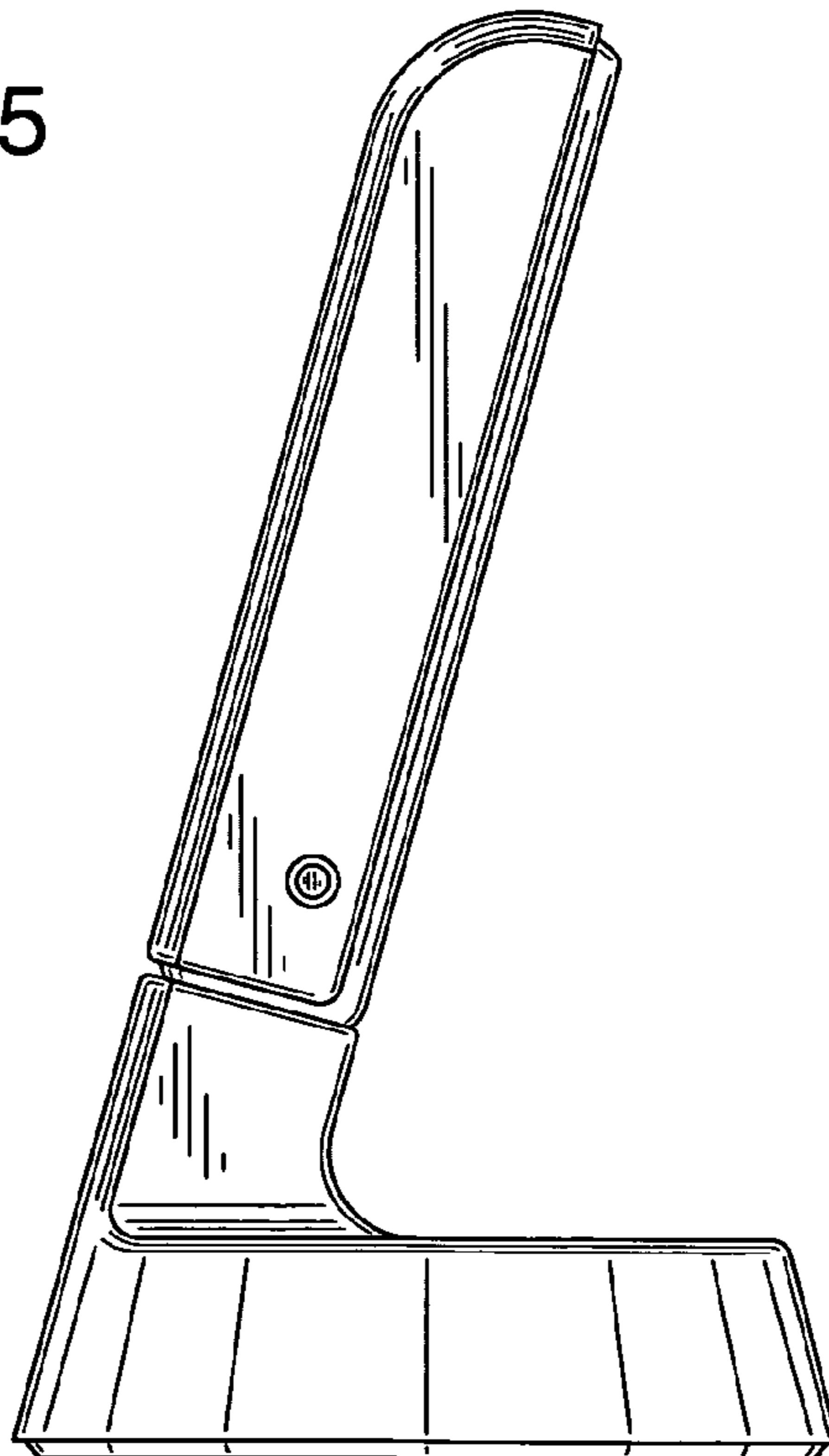


Fig.6

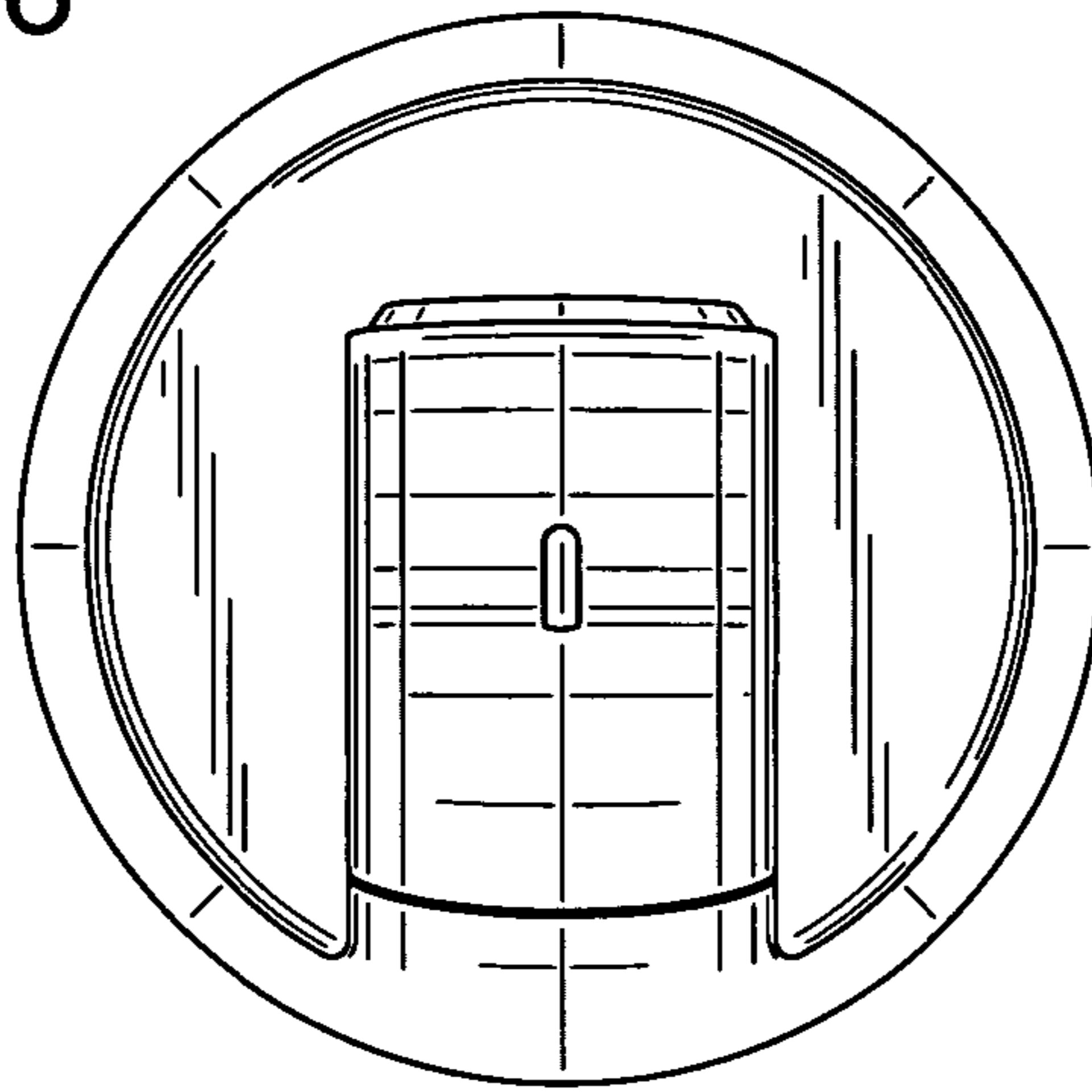


Fig.7

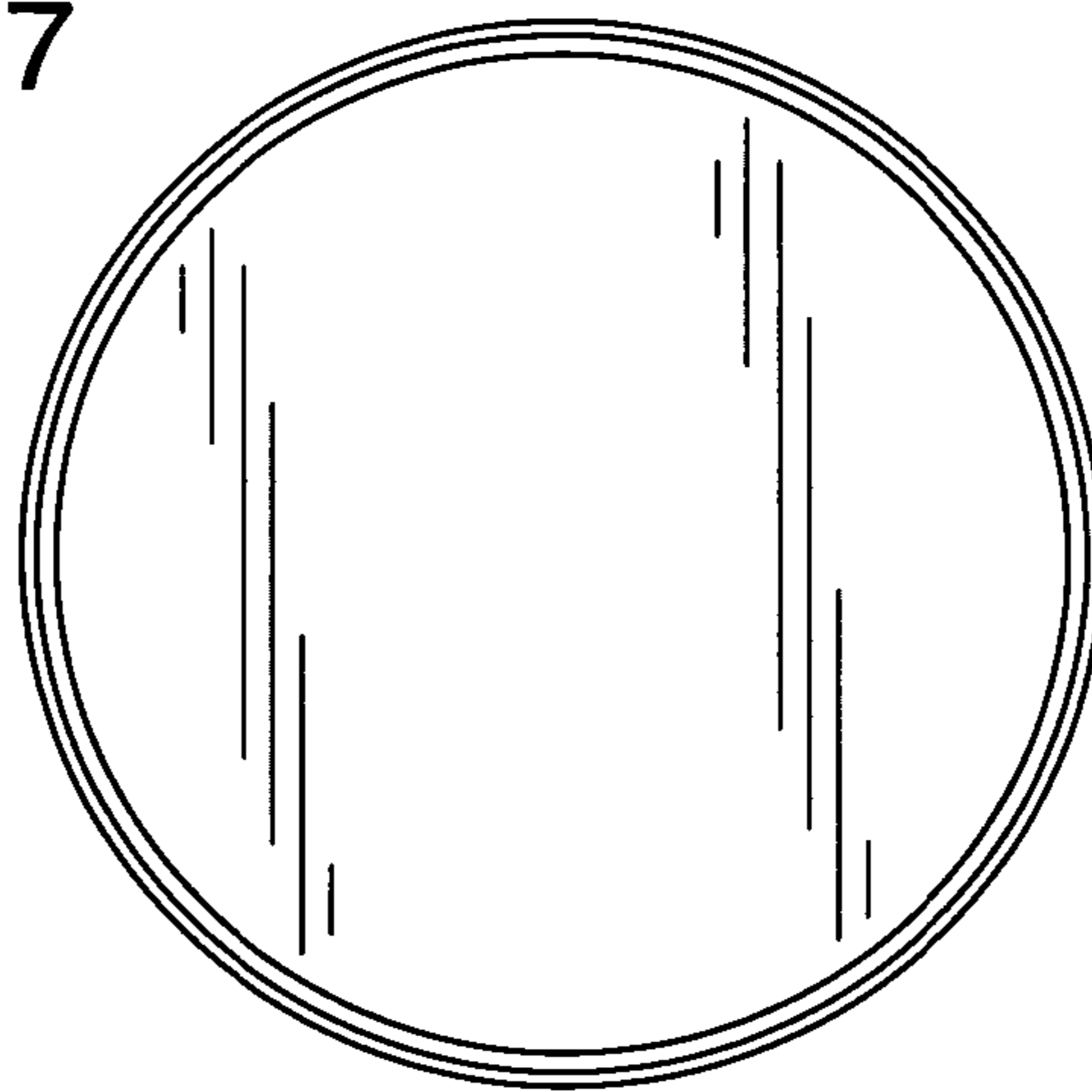


Fig.8



Fig.9

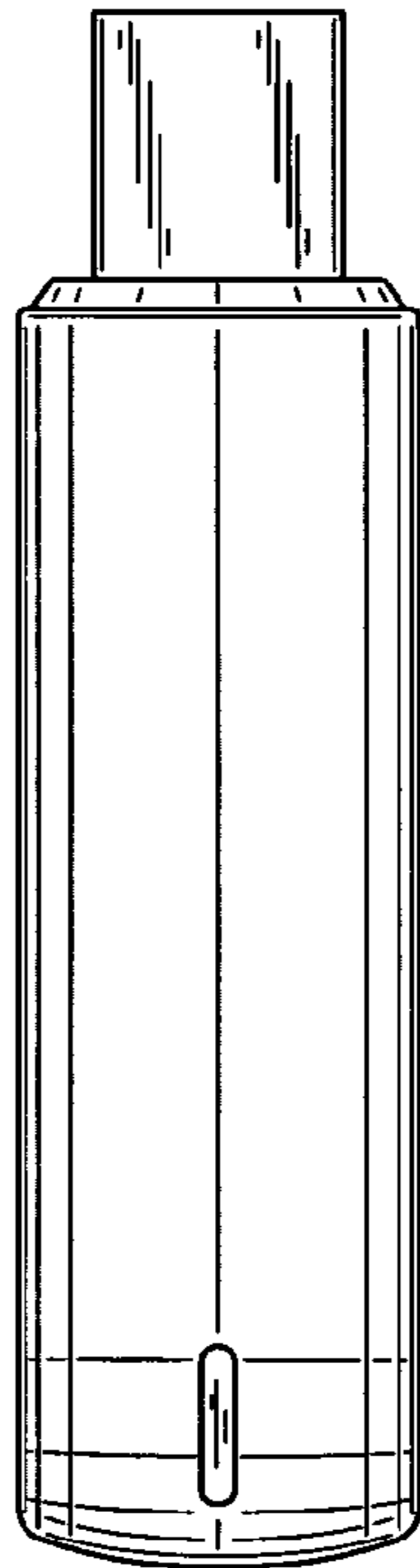


Fig.10

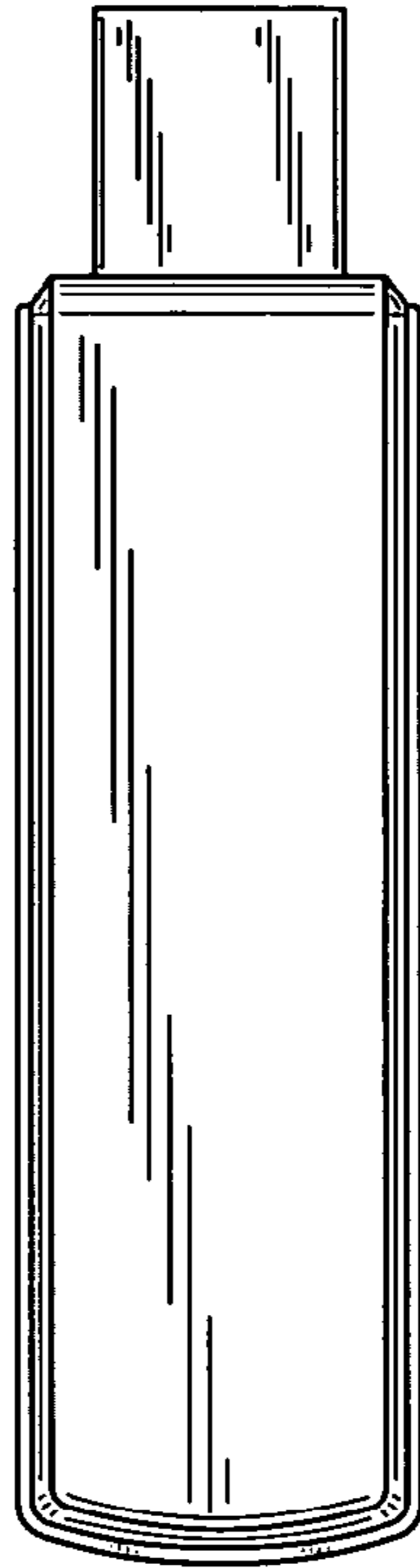


Fig.11



Fig.12

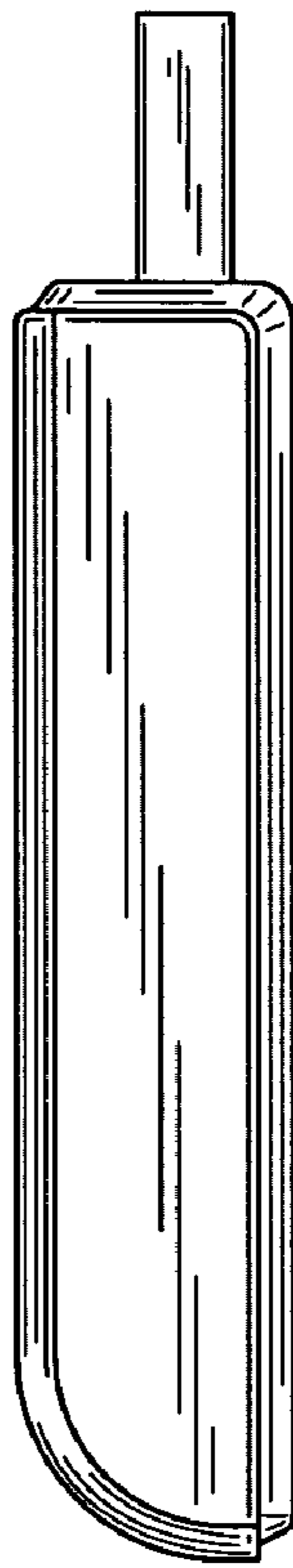


Fig.13

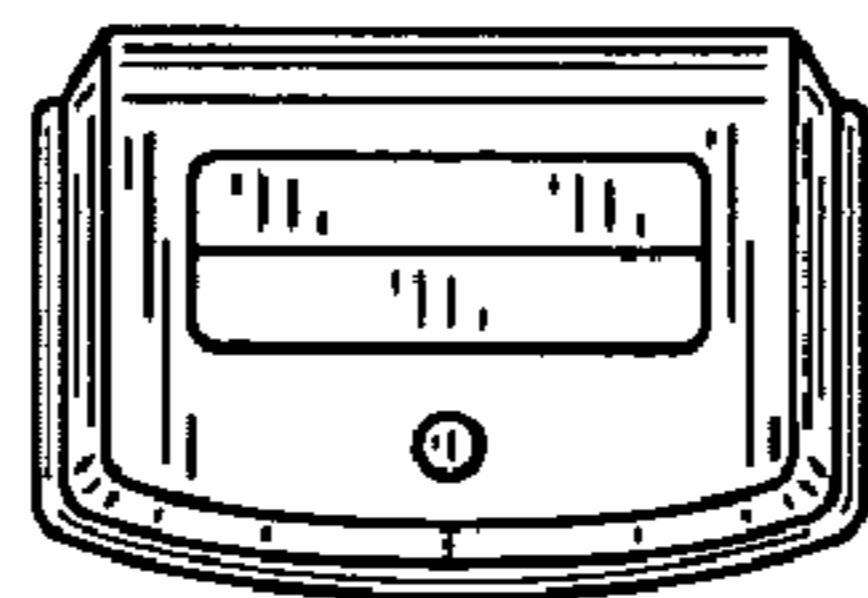


Fig.14

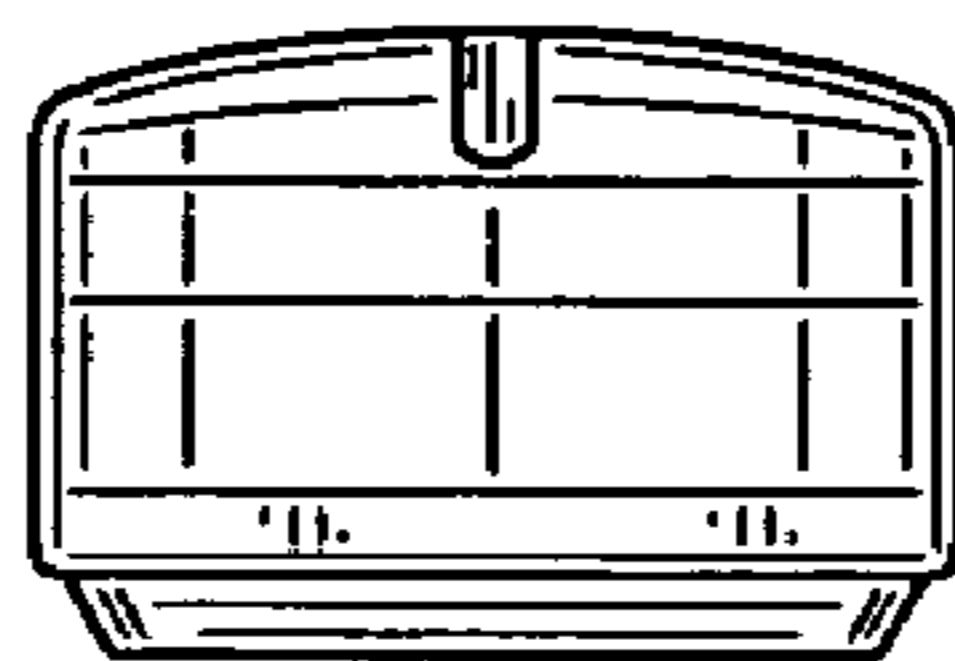


Fig.15

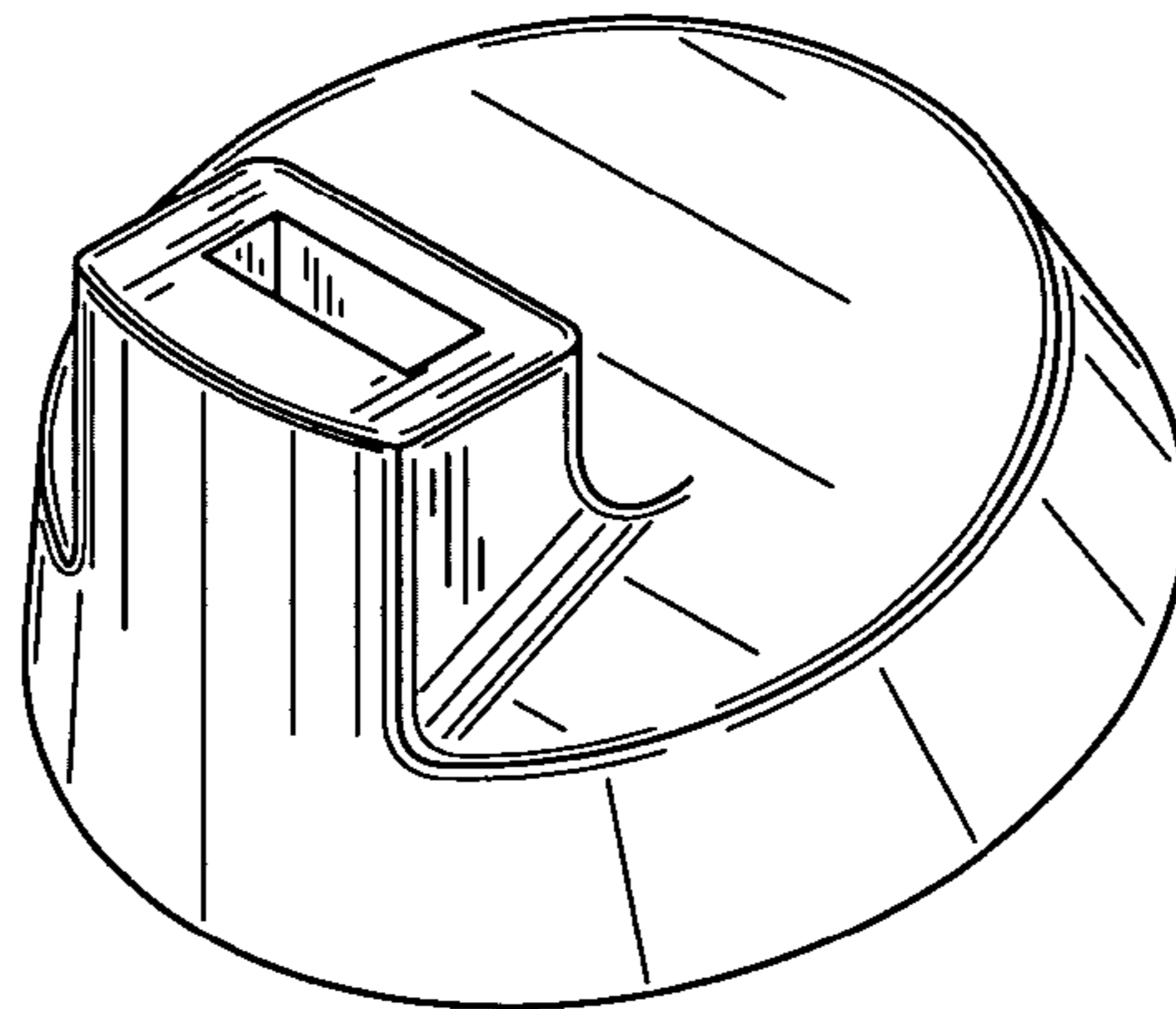


Fig.16

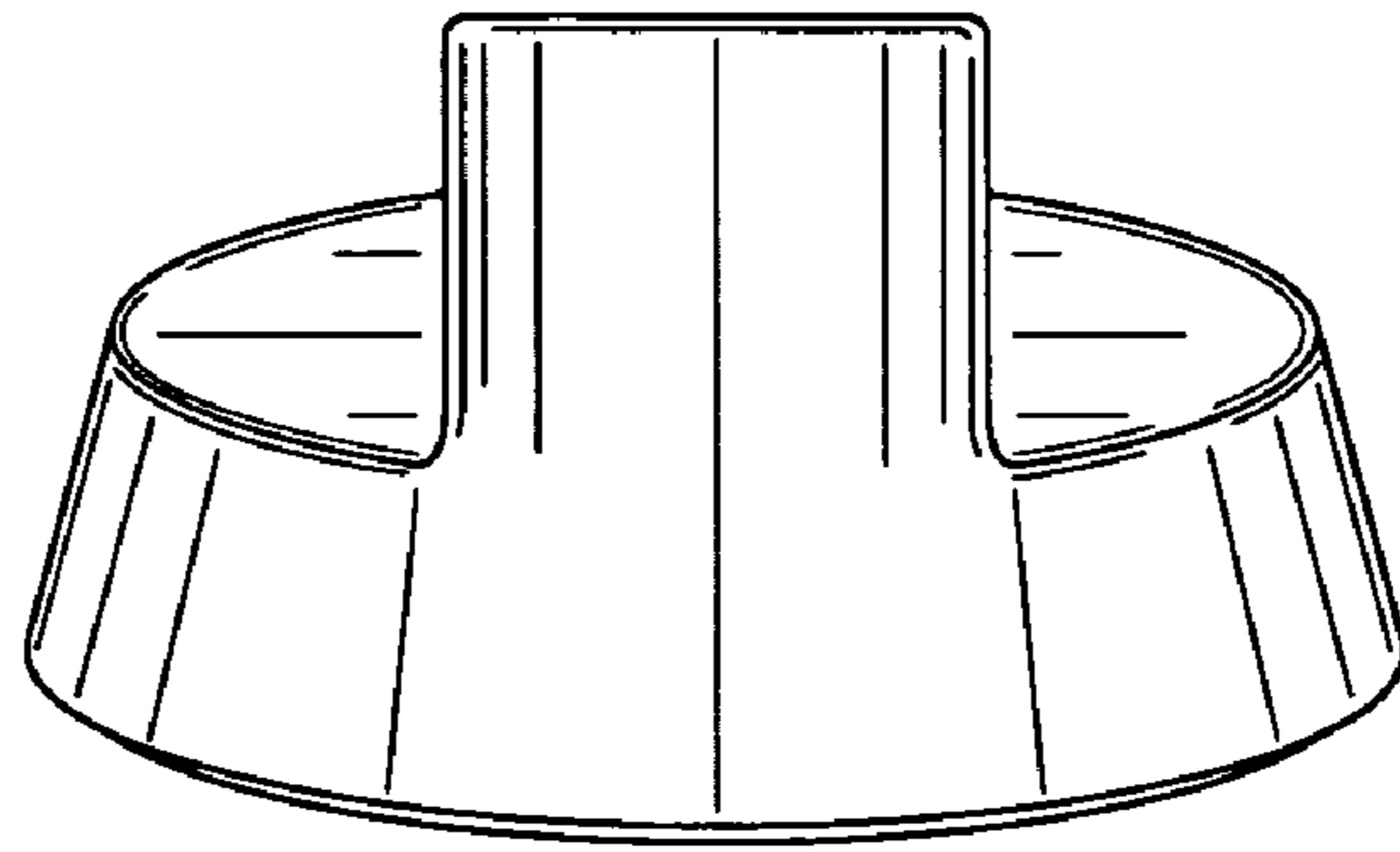


Fig.17

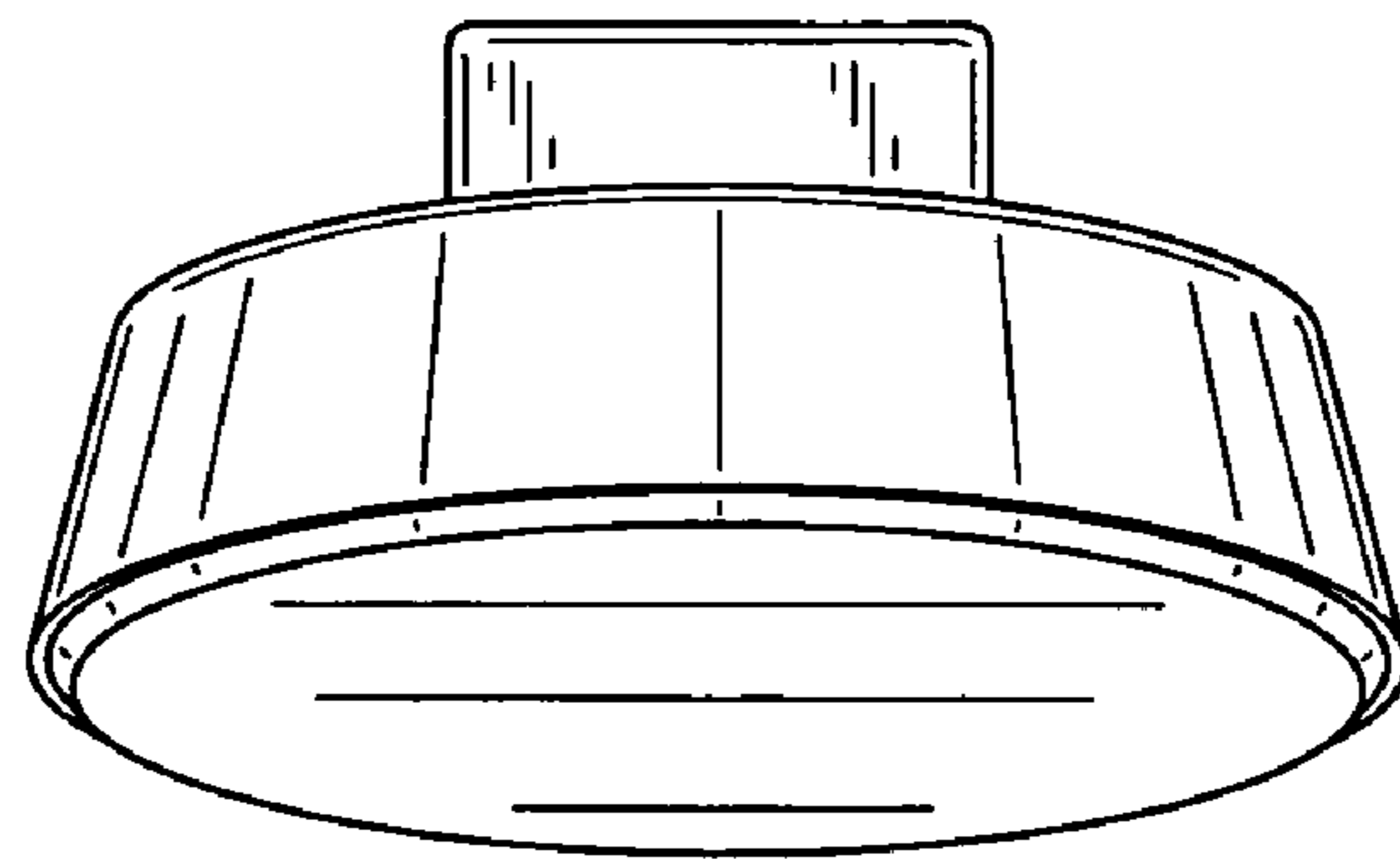


Fig.18

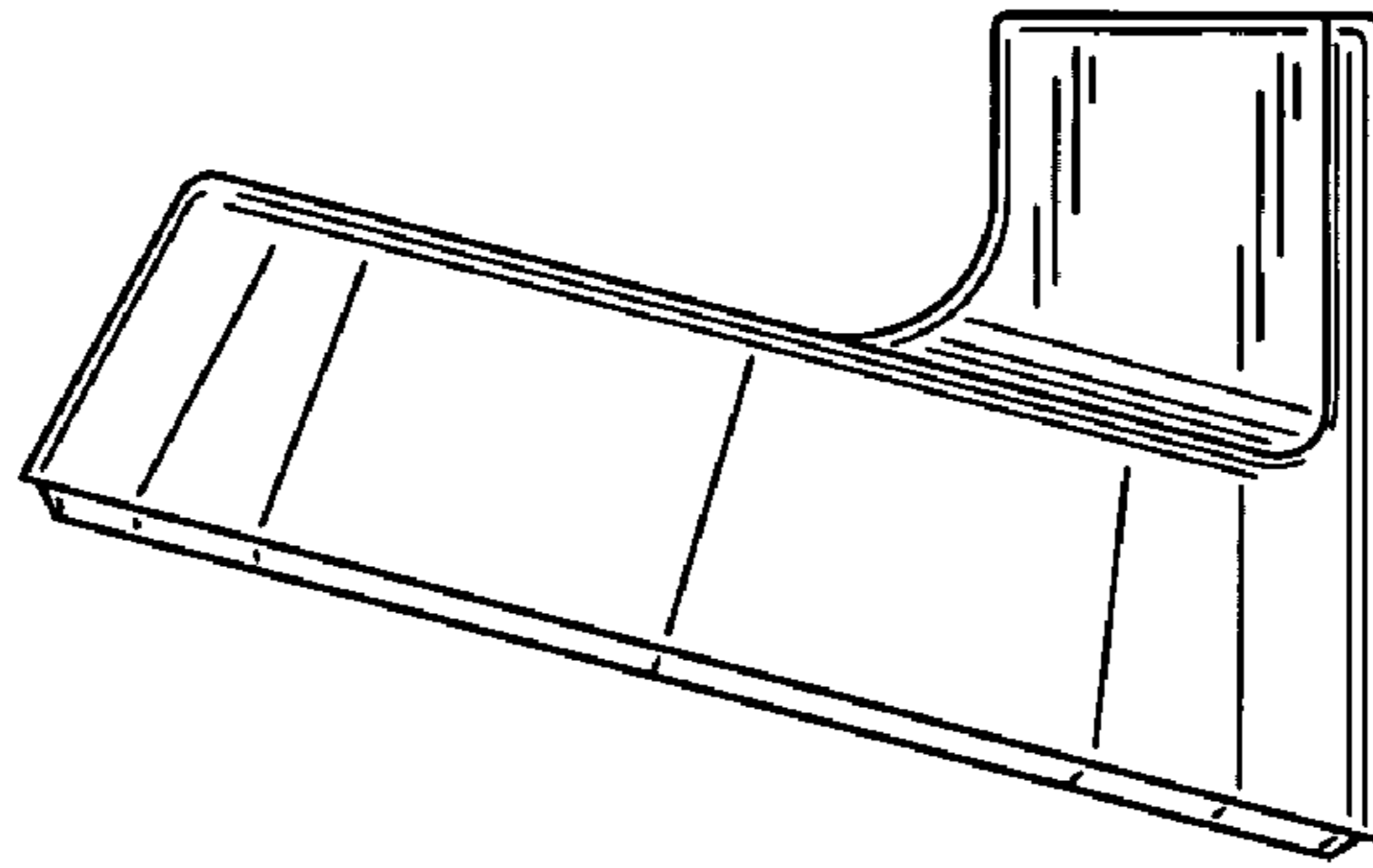


Fig.19

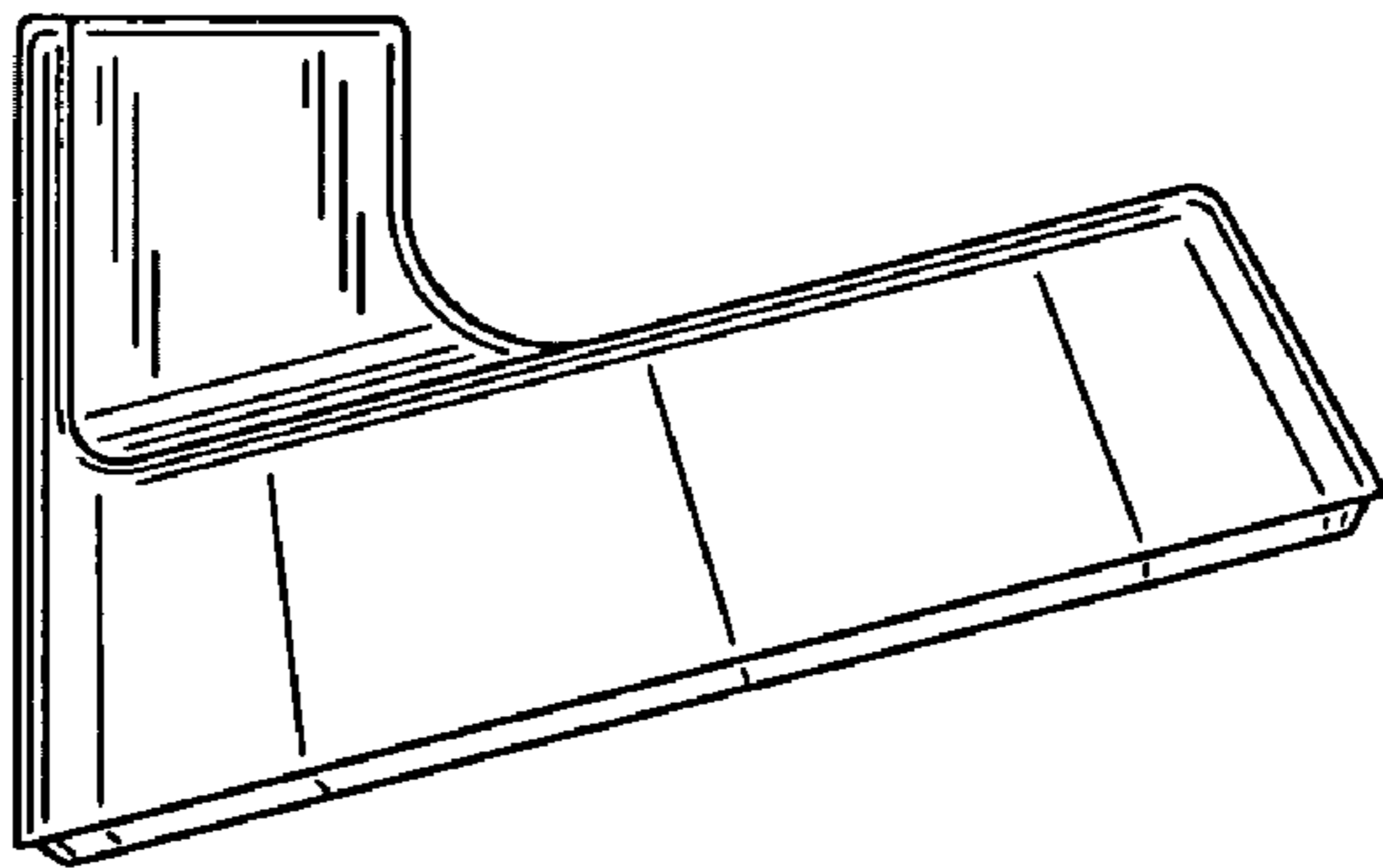


Fig.20

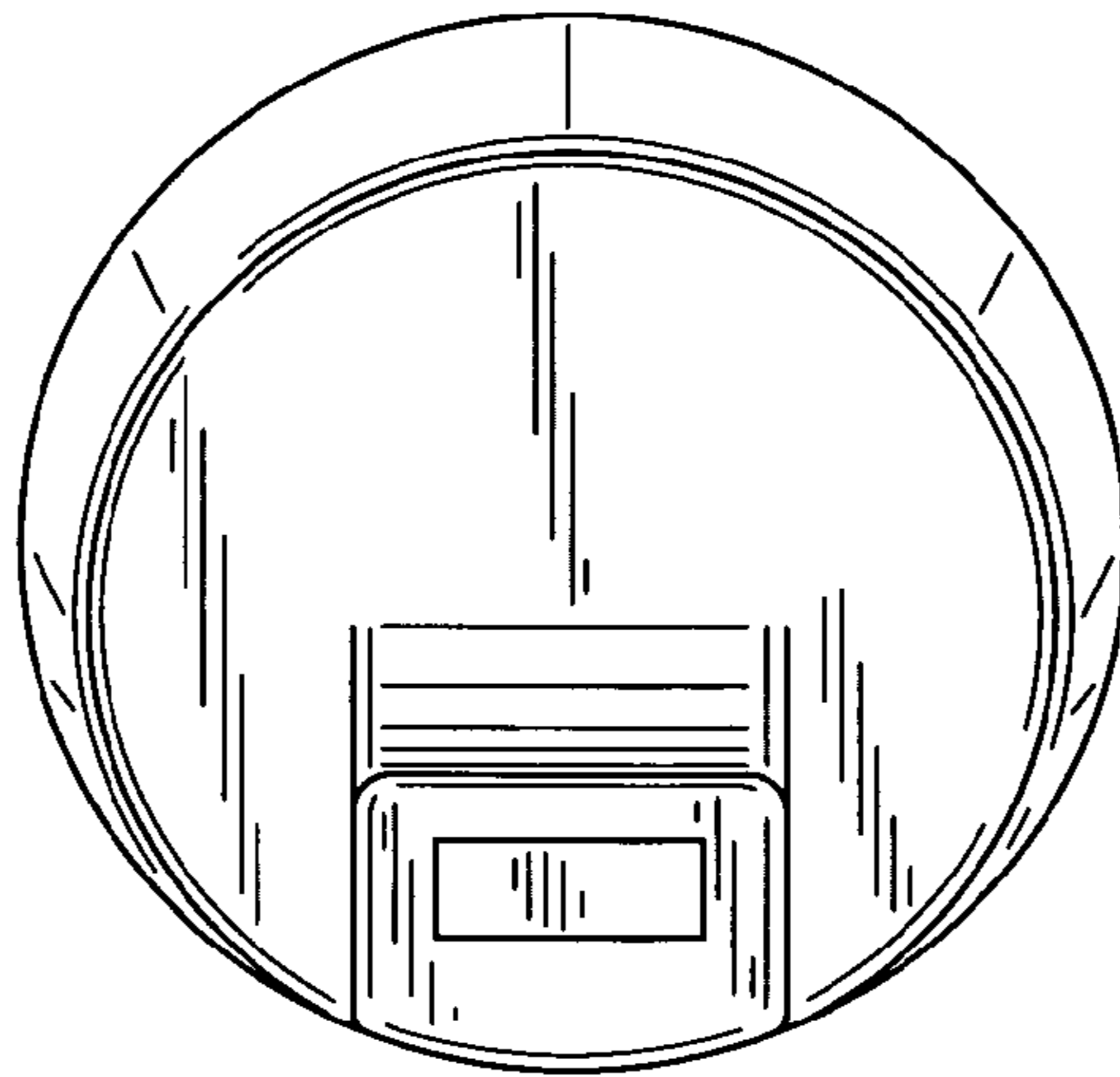


Fig.21

