



US00D544479S

(12) **United States Design Patent**
Chen

(10) **Patent No.:** **US D544,479 S**

(45) **Date of Patent:** **** Jun. 12, 2007**

(54) **FLASH MEMORY DEVICE**

(75) Inventor: **I-Ming Chen**, Taipei (TW)

(73) Assignee: **Singim International Corp.**, Taipei
Hsien (TW)

(**) Term: **14 Years**

(21) Appl. No.: **29/262,733**

(22) Filed: **Jul. 11, 2006**

(51) **LOC (8) Cl.** **14-02**

(52) **U.S. Cl.** **D14/356; D14/435**

(58) **Field of Classification Search** D14/137,
D14/156, 167, 240, 242, 299, 348, 356, 384-5,
D14/402, 432-435, 496; 361/685-6, 752,
361/737; 365/63, 131; 439/131, 139-41,
439/144, 152, 518, 528, 638; 710/62, 74;
D13/110, 133

See application file for complete search history.

(56) **References Cited**

U.S. PATENT DOCUMENTS

D408,384 S *	4/1999	Hata et al.	D14/433
D463,426 S *	9/2002	Cheng	D14/356
D465,784 S *	11/2002	Lin	D14/433
6,626,703 B2 *	9/2003	Hsin	439/638
D486,484 S *	2/2004	Bloomberg et al.	D14/248
D486,829 S *	2/2004	Wang et al.	D14/433

6,758,688 B2 *	7/2004	Chen	439/135
6,768,645 B2 *	7/2004	Kadonaga	361/737
D502,166 S *	2/2005	Nakamura	D14/167
D511,770 S *	11/2005	Chung	D14/240
D515,087 S *	2/2006	Reusing et al.	D14/356
7,142,420 B2 *	11/2006	Santos et al.	361/686
2003/0005337 A1 *	1/2003	Poo et al.	713/202

* cited by examiner

Primary Examiner—Robin Webster

Assistant Examiner—Karen E. Patterson

(74) *Attorney, Agent, or Firm*—Bacon & Thomas, PLLC

(57) **CLAIM**

The ornamental design for a flash memory device, as shown and described.

DESCRIPTION

FIG. 1 is a perspective view of a flash memory device showing my design;

FIG. 2 is a front view thereof;

FIG. 3 is a rear view thereof;

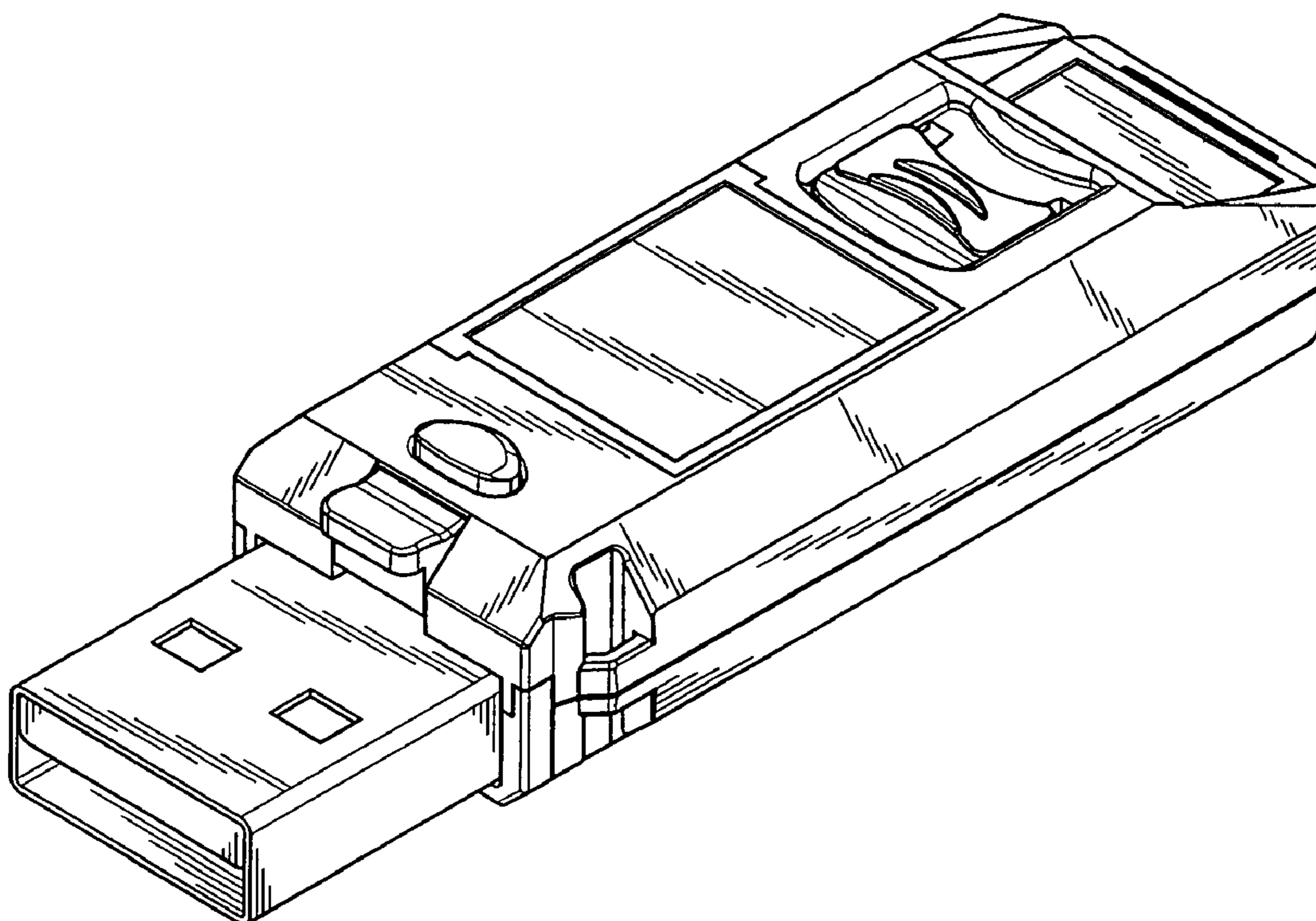
FIG. 4 is a left side view thereof;

FIG. 5 is a right side view thereof;

FIG. 6 is a top view thereof; and,

FIG. 7 is a bottom view thereof.

1 Claim, 5 Drawing Sheets



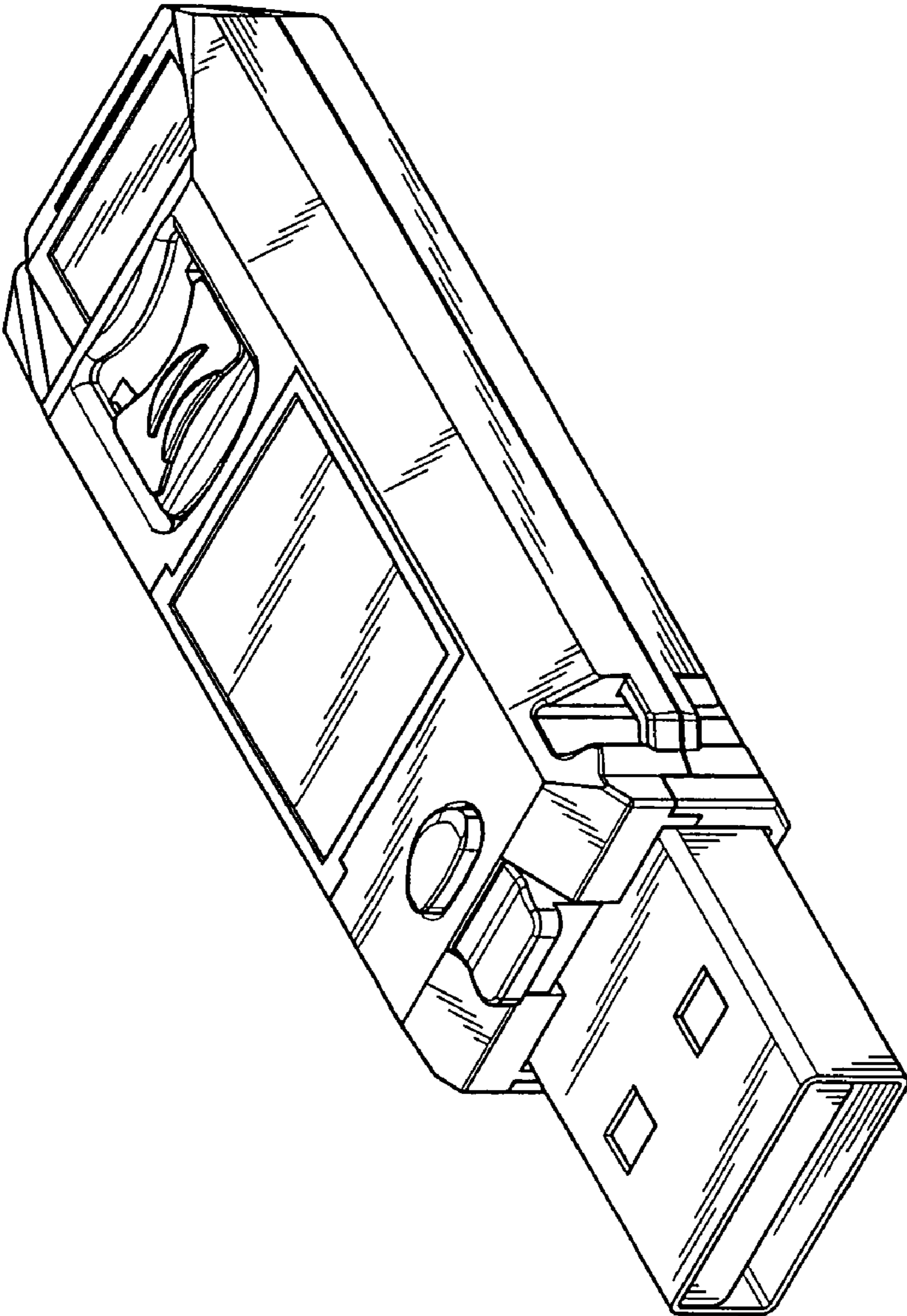


FIG. 1

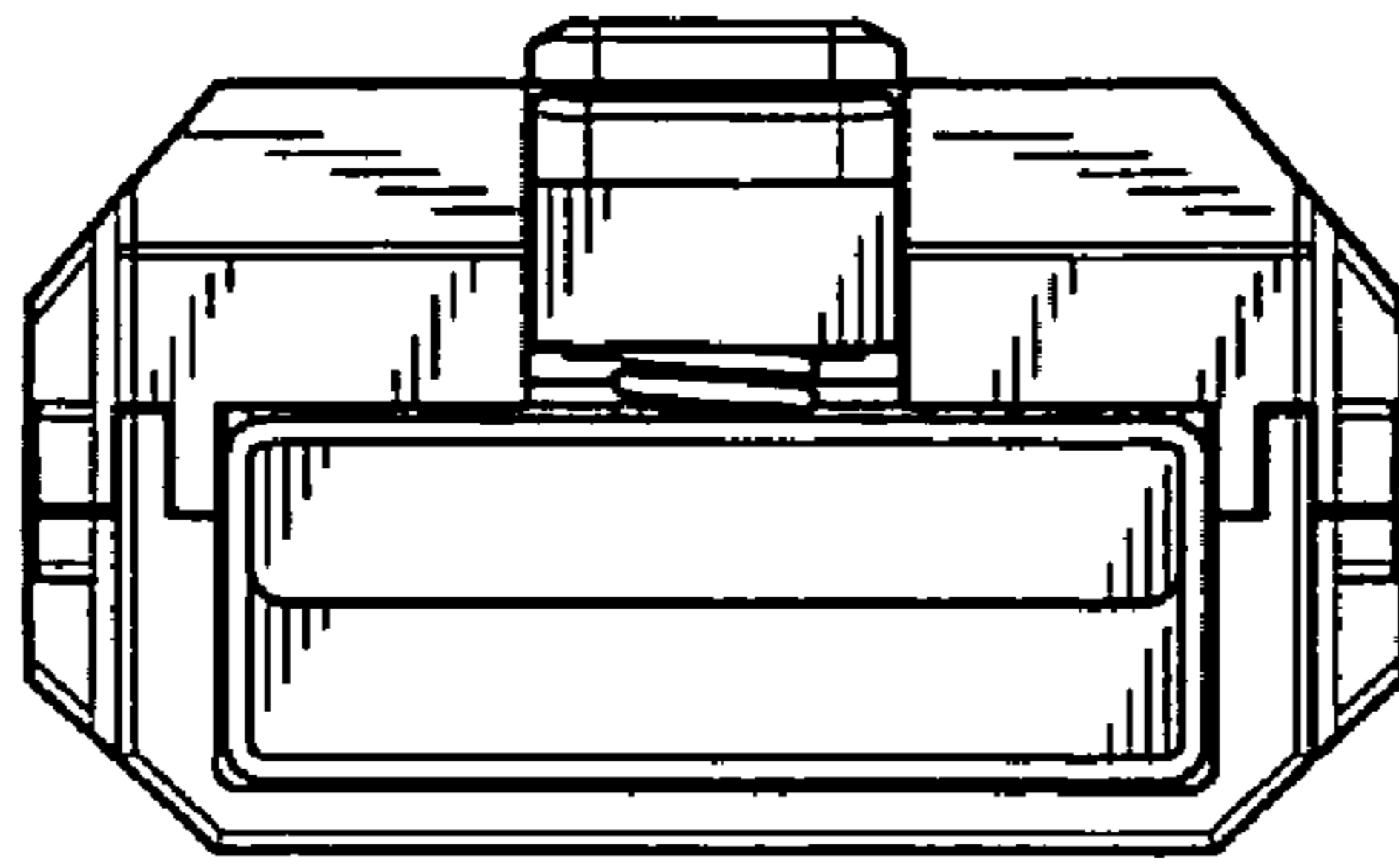


FIG. 2

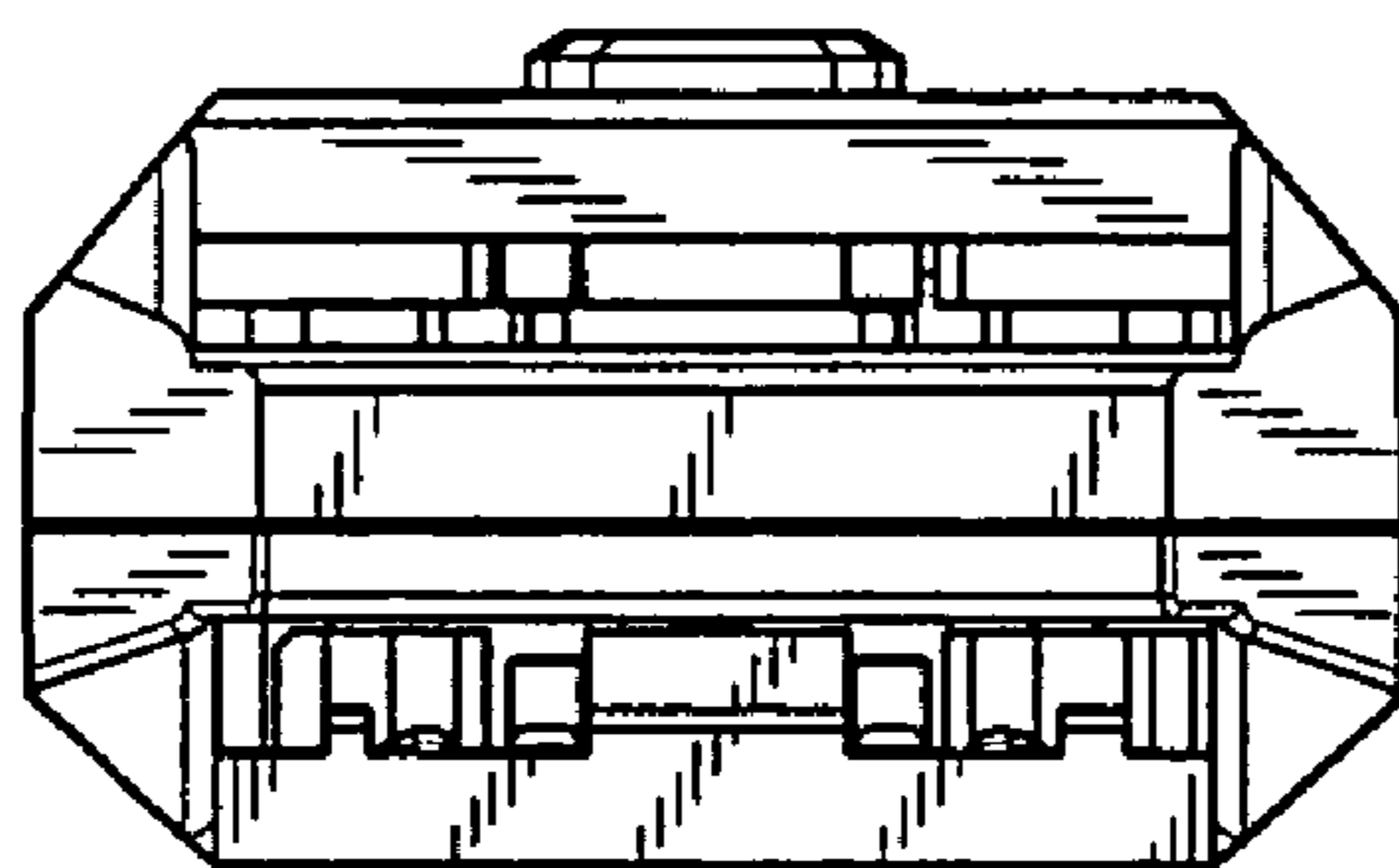


FIG. 3



FIG. 4

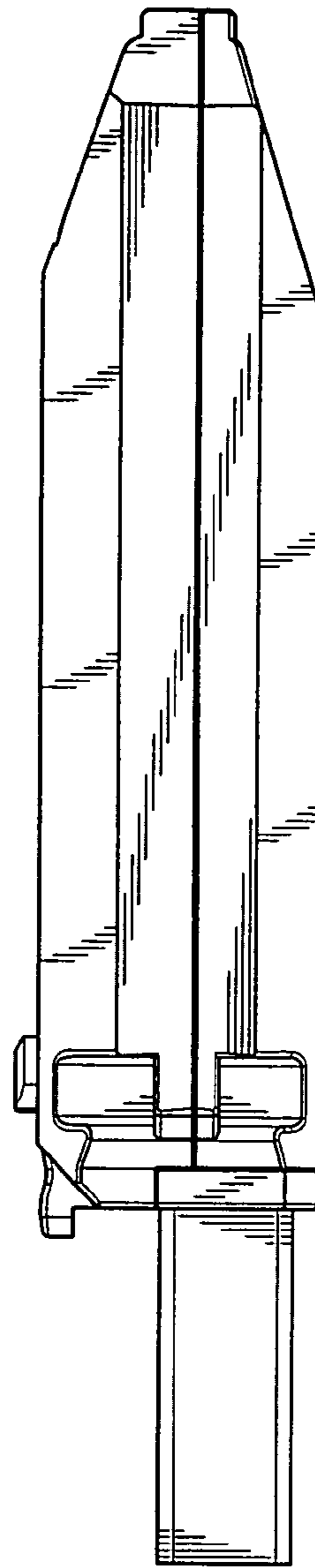


FIG. 5

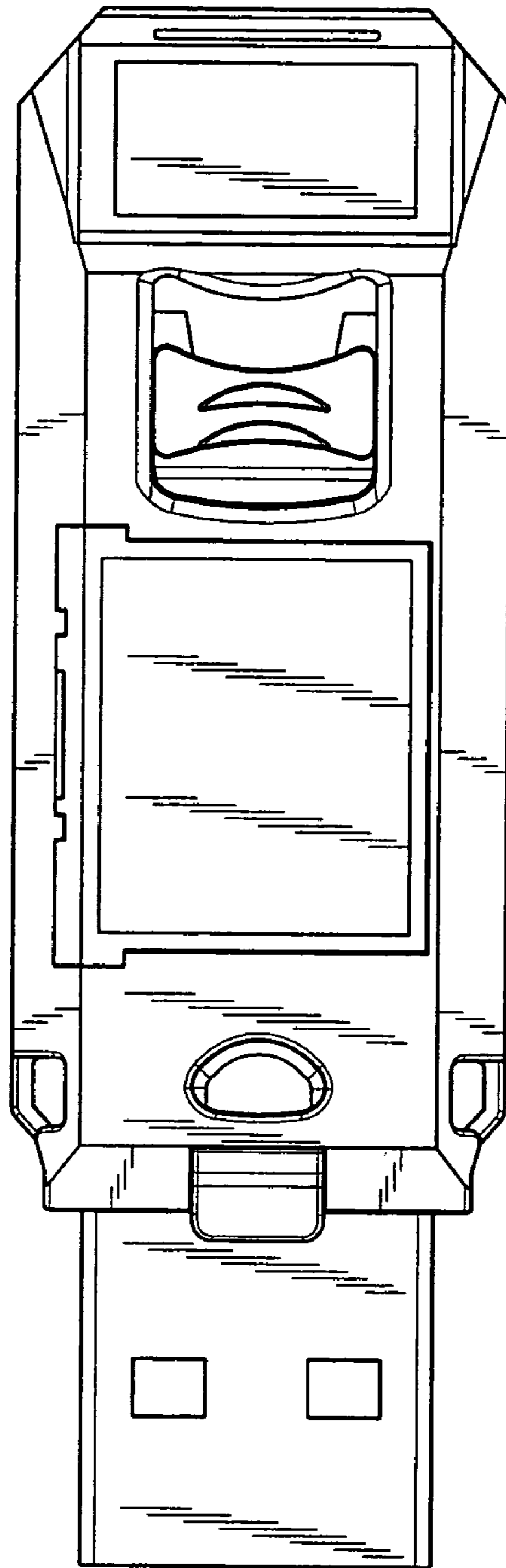


FIG. 6

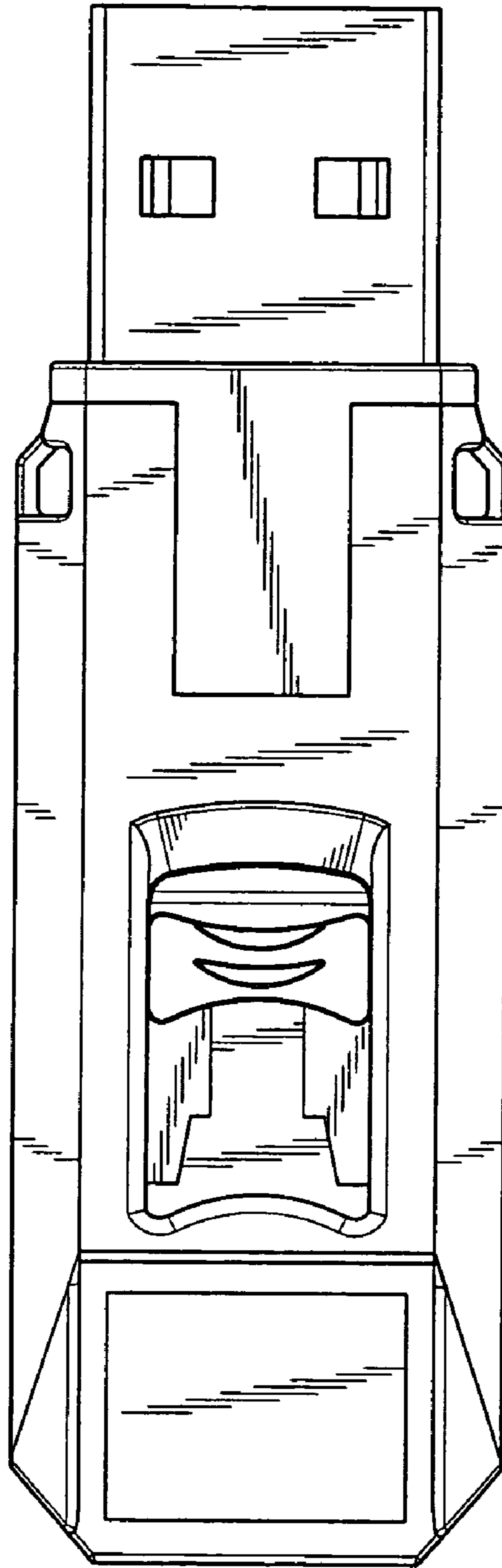


FIG. 7