



US00D544476S

(12) **United States Design Patent**
Wilson et al.

(10) **Patent No.:** **US D544,476 S**
(45) **Date of Patent:** **** Jun. 12, 2007**

(54) **BATTERY CHARGER AND STAND FOR A CORDLESS TELEPHONE AND ASSOCIATED WIRELESS COMMUNICATIONS HEADSET**

D407,064 S * 3/1999 Leberz D13/108
D413,886 S * 9/1999 Fitzgerald D14/149
D456,795 S * 5/2002 Hughes et al. D14/149
D514,544 S * 2/2006 Beasley et al. D14/149

(75) Inventors: **Jay Wilson**, Portola Valley, CA (US);
Claude Zellweger, San Francisco, CA (US)

OTHER PUBLICATIONS

“Lazerbuilt Celldesk Desk Station”, 1 p including photo, [online],
<URL:http://www.corporatecoms.com/index.cfm?event=catalogue.product&productID=138&categoryID=1265>, site visited Feb. 13, 2007.*

(73) Assignee: **Plantronics, Inc.**, Santa Cruz, CA (US)

* cited by examiner

(**) Term: **14 Years**

Primary Examiner—Ian Simmons
Assistant Examiner—Carla Jobe Wright

(21) Appl. No.: **29/265,061**

(22) Filed: **Aug. 24, 2006**

(57) **CLAIM**

(51) **LOC (8) Cl.** **14-03**

(52) **U.S. Cl.** **D14/251**

(58) **Field of Classification Search** D14/140,
D14/142, 146, 149, 205–206, 223–224, 243,
D14/251–253, 434, 447, 240, 452; D6/466;
D8/71, 350, 355; D12/400, 415; D13/107–108;
D16/242; 248/121, 157, 160, 205.8, 206.2,
248/274.1, 371, 917; 320/107–108, 110,
320/114–115; 379/454, 455; 455/575.1,
455/575.2, 575.6, 575.9, 90.3
See application file for complete search history.

The ornamental design for a battery charger and stand for a cordless telephone and associated wireless communications headset, as shown and described.

DESCRIPTION

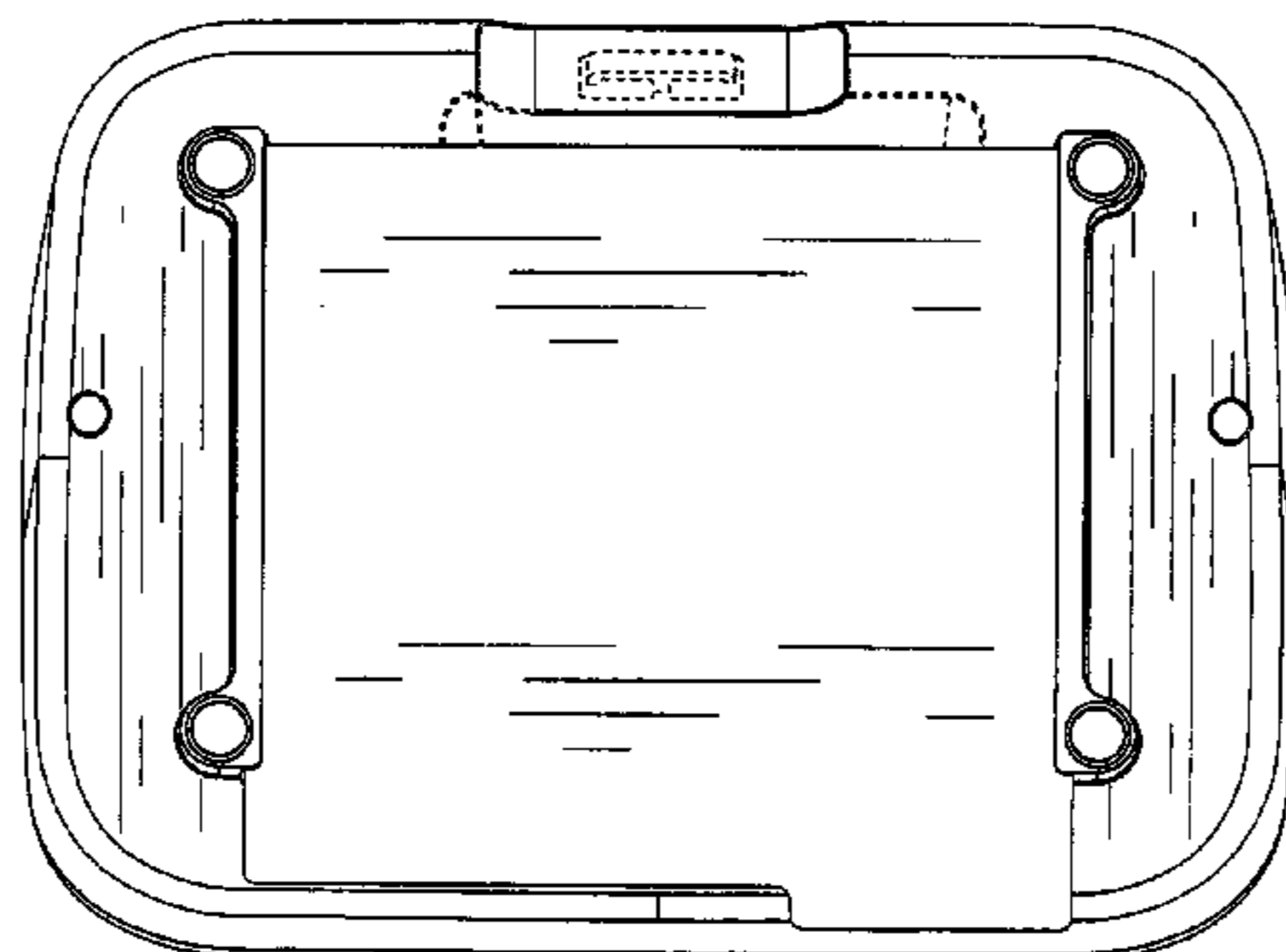
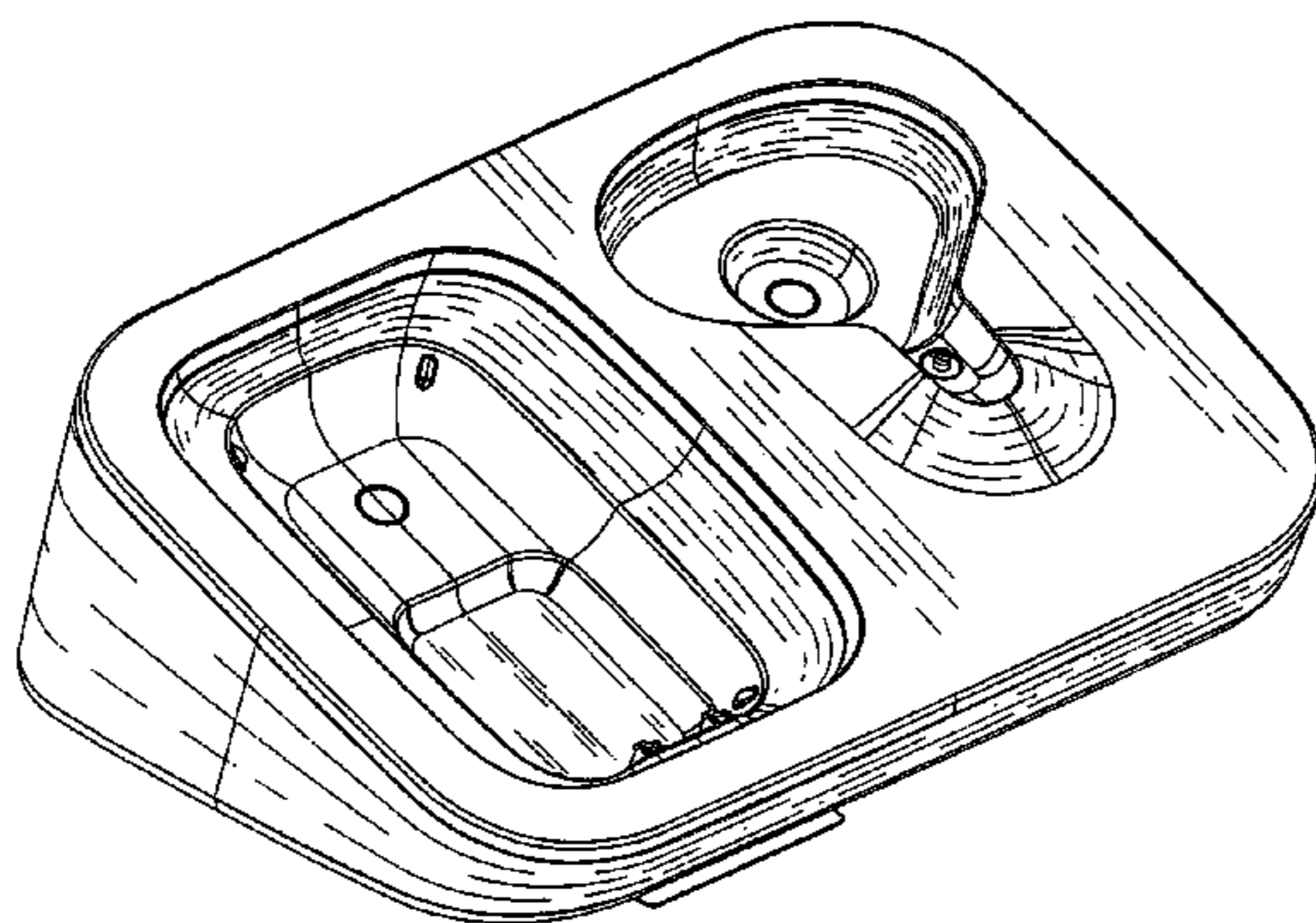
FIG. 1 is an upper right front perspective view of a battery charger and stand for cordless telephone and associated wireless communications headset showing our new design; FIG. 2 is an upper left front perspective view thereof; FIG. 3 is a front elevation view thereof; FIG. 4 is a back elevation view thereof; FIG. 5 is a right side elevation view thereof; FIG. 6 is a left side elevation view thereof; FIG. 7 is a top plan view thereof; and, FIG. 8 is a bottom plan view thereof.

(56) **References Cited**

U.S. PATENT DOCUMENTS

D329,221 S * 9/1992 Khoo D13/107
5,280,229 A * 1/1994 Faude et al. 320/110
D343,841 S * 2/1994 Hon et al. D14/251
D358,813 S * 5/1995 Hellier et al. D14/149
D402,258 S * 12/1998 Kawakami D13/107
D404,357 S * 1/1999 Foster et al. D13/108

1 Claim, 4 Drawing Sheets



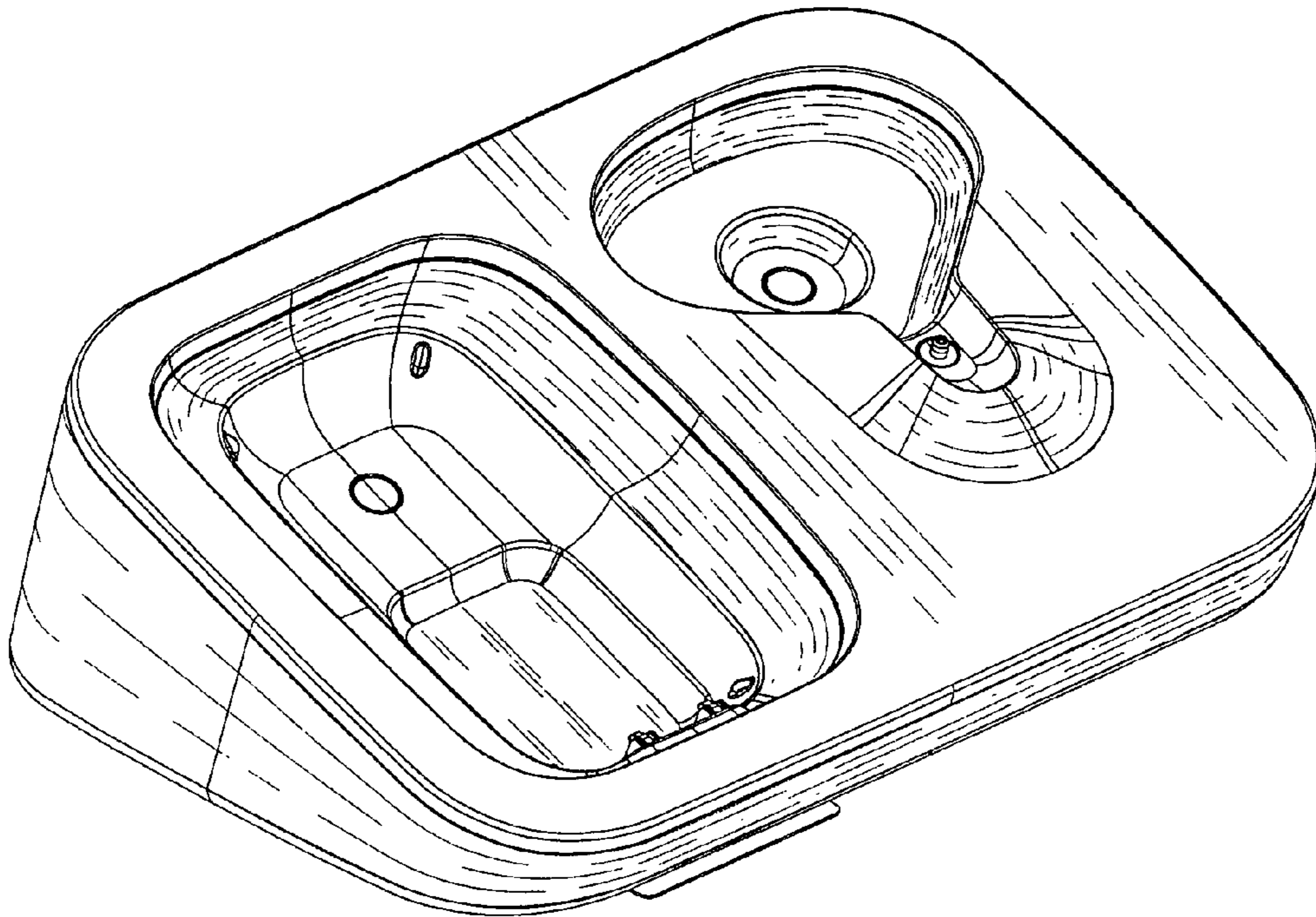


FIG. 1

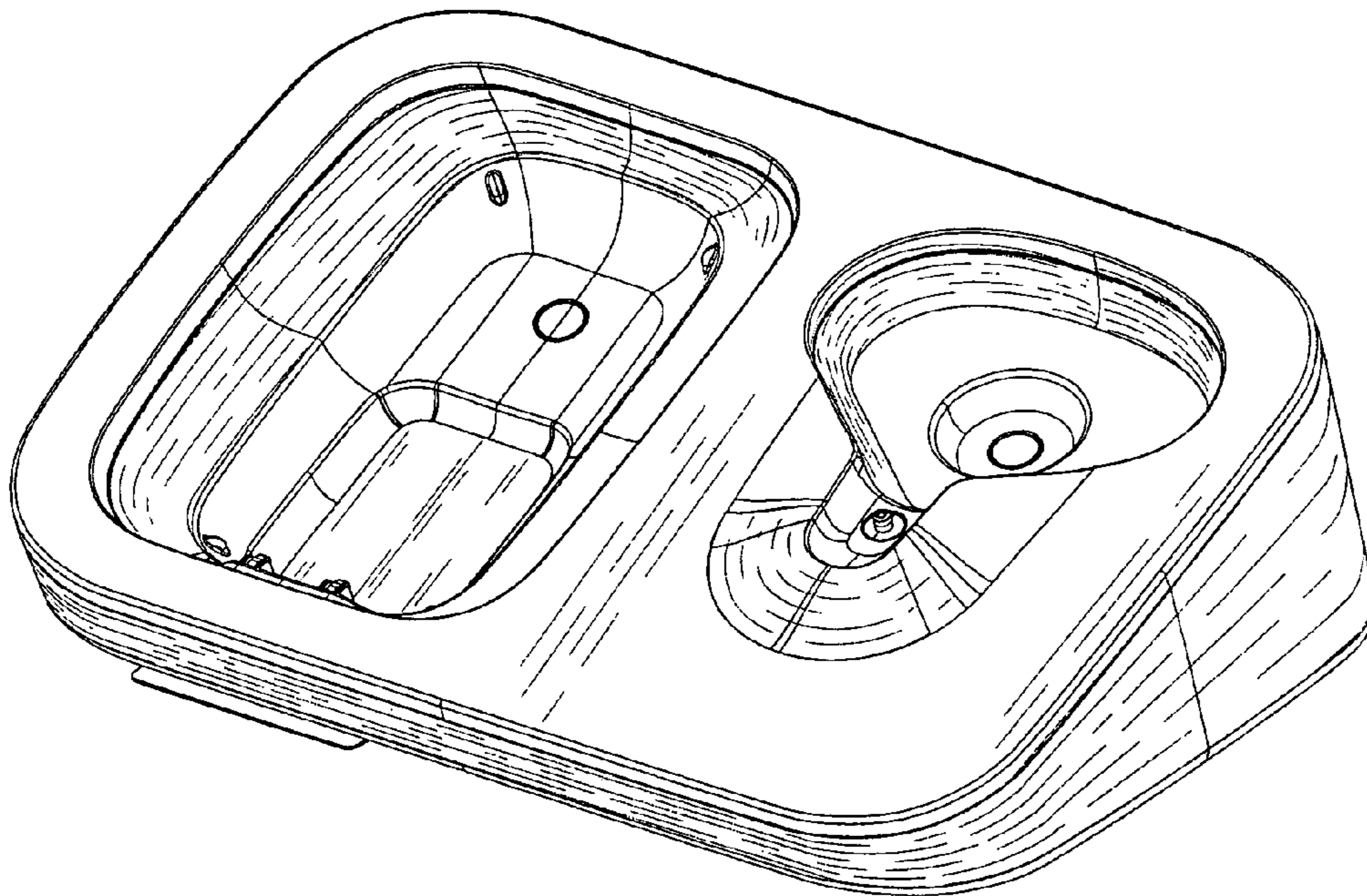


FIG. 2

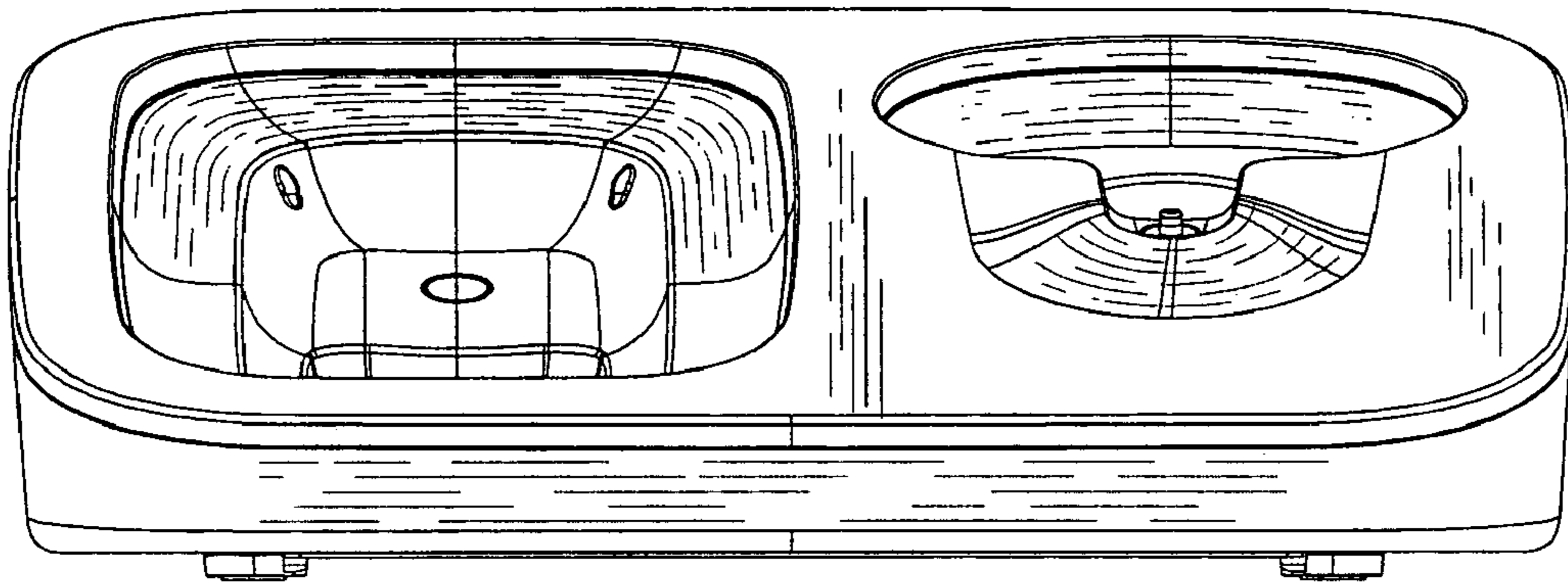


FIG. 3

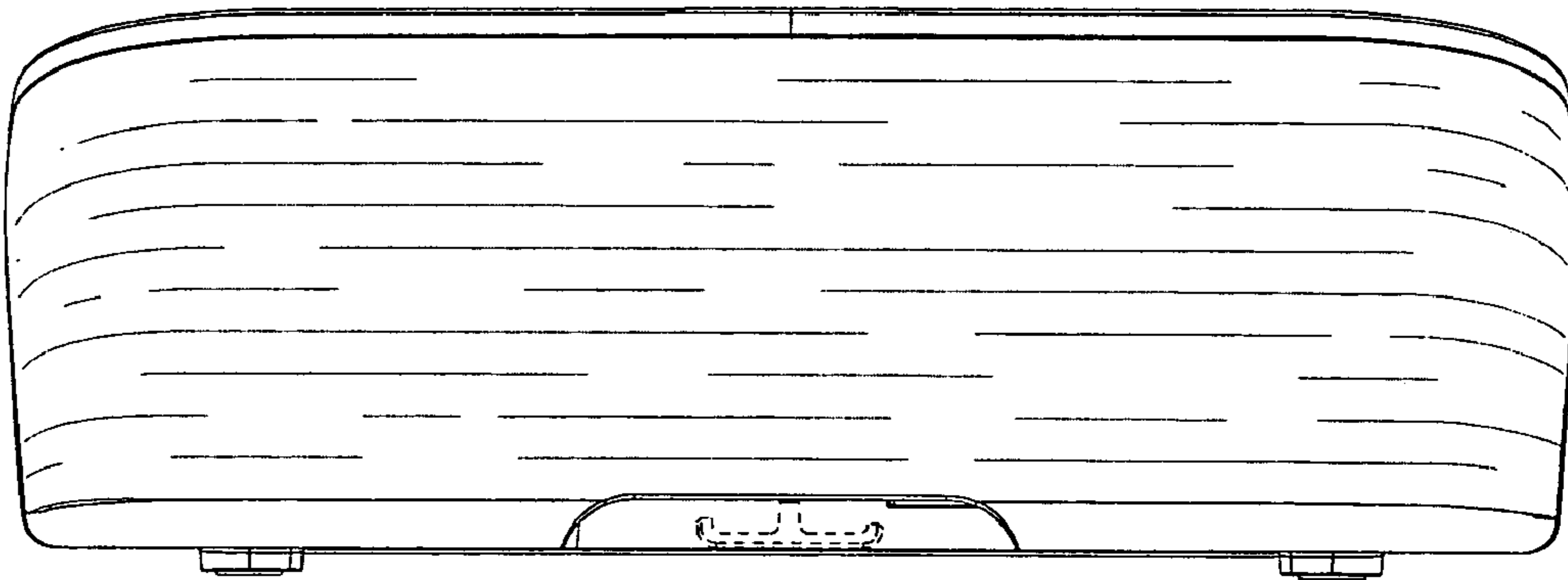


FIG. 4

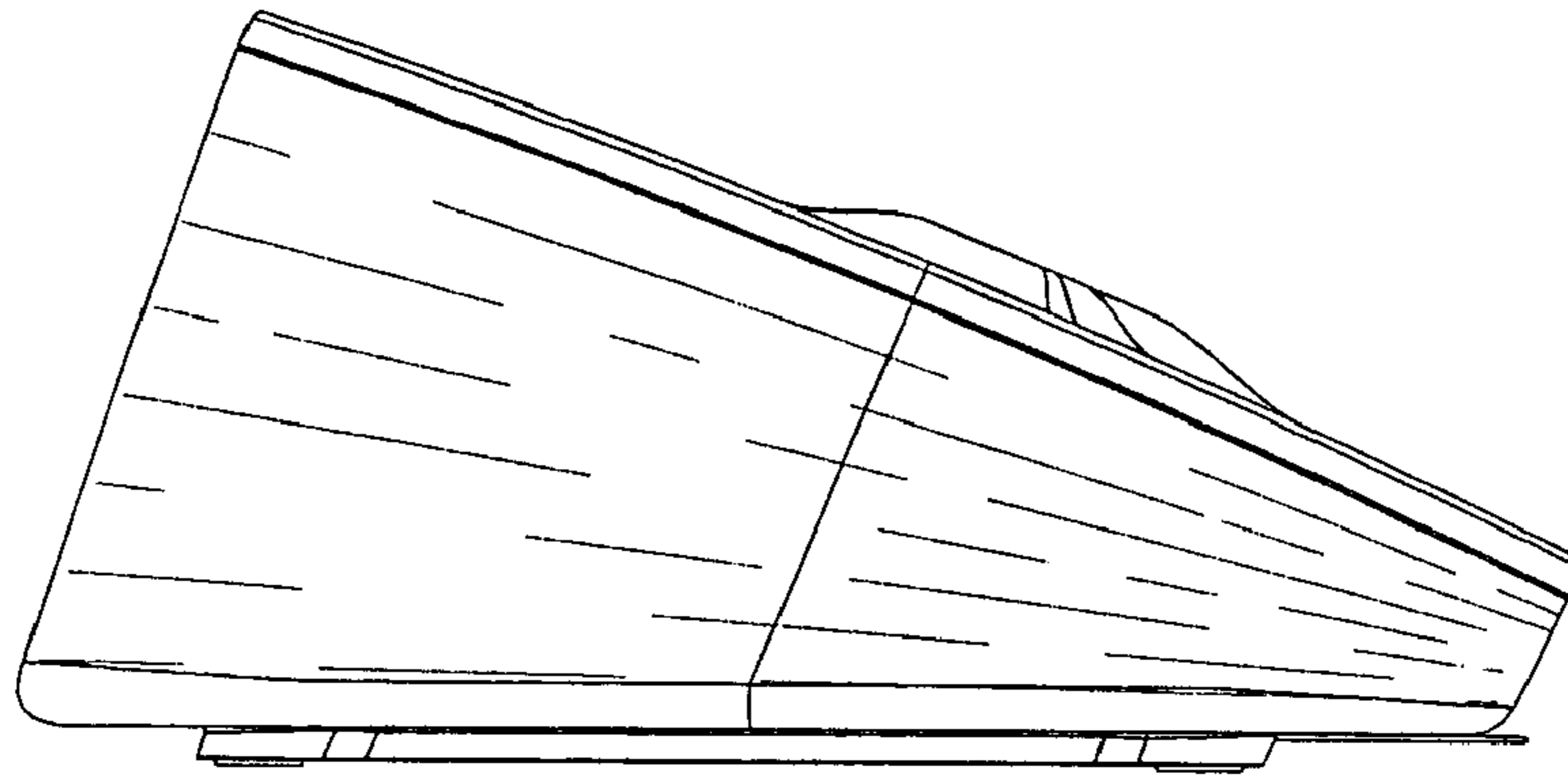


FIG. 5

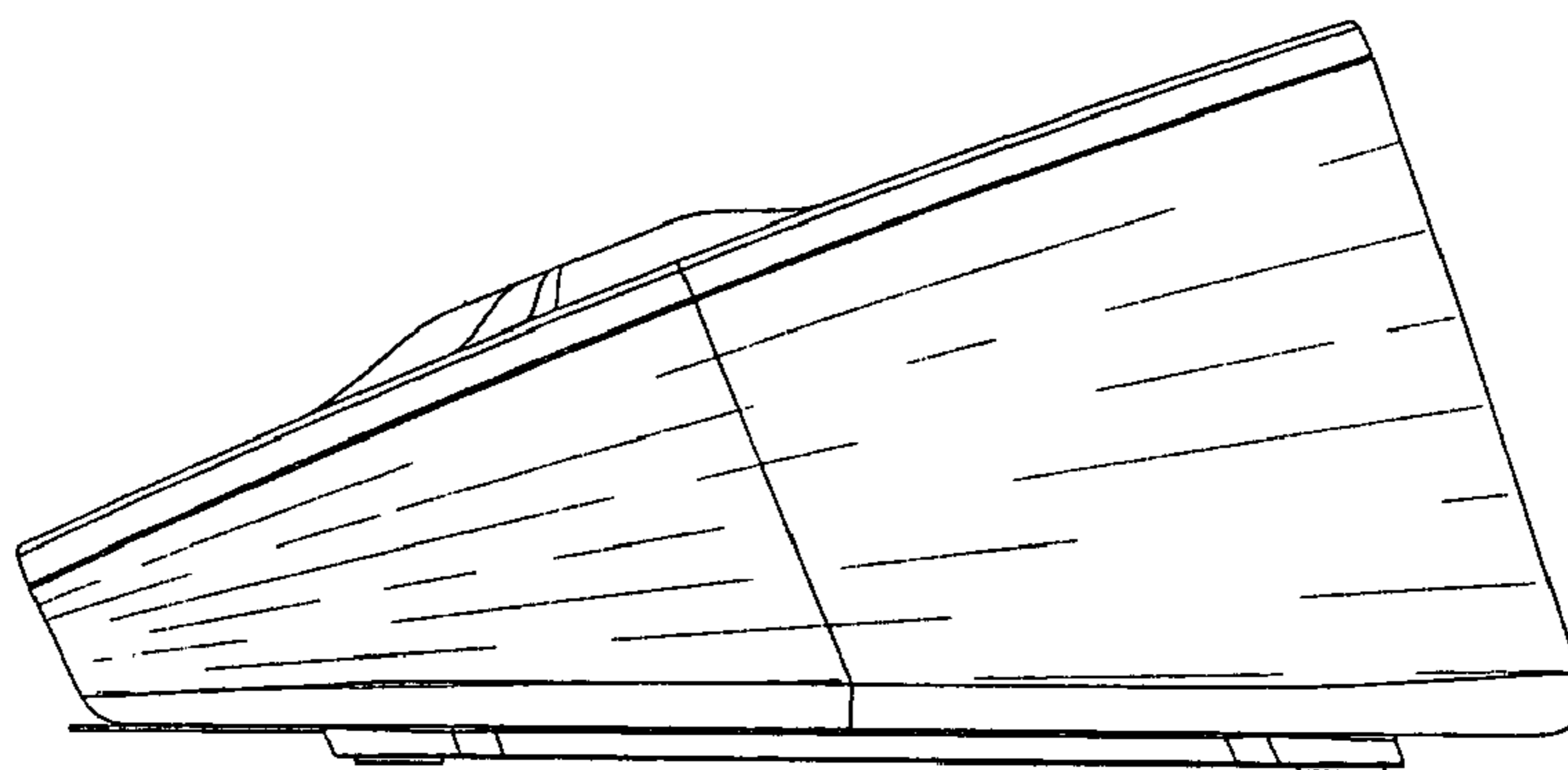


FIG. 6

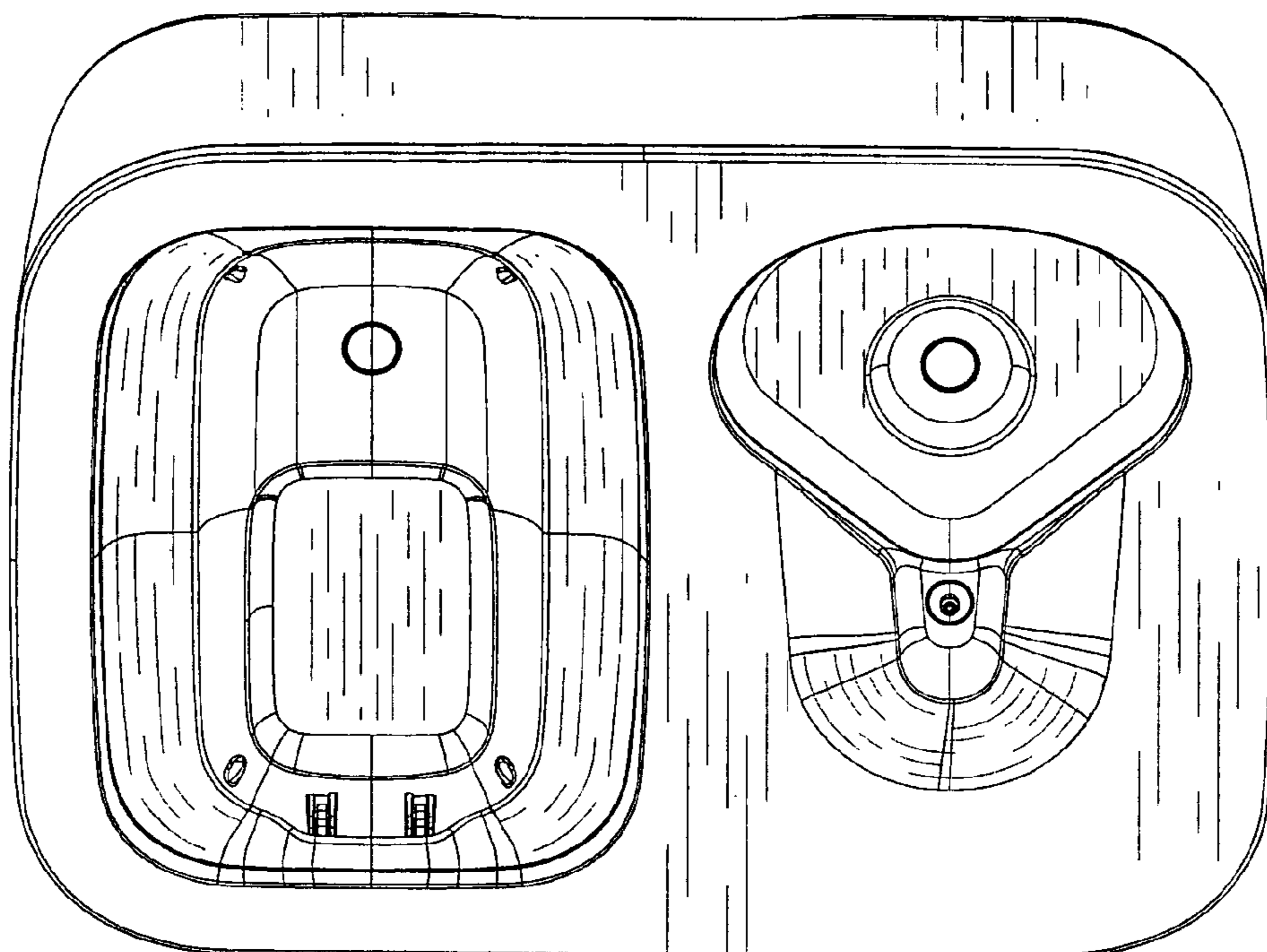


FIG. 7

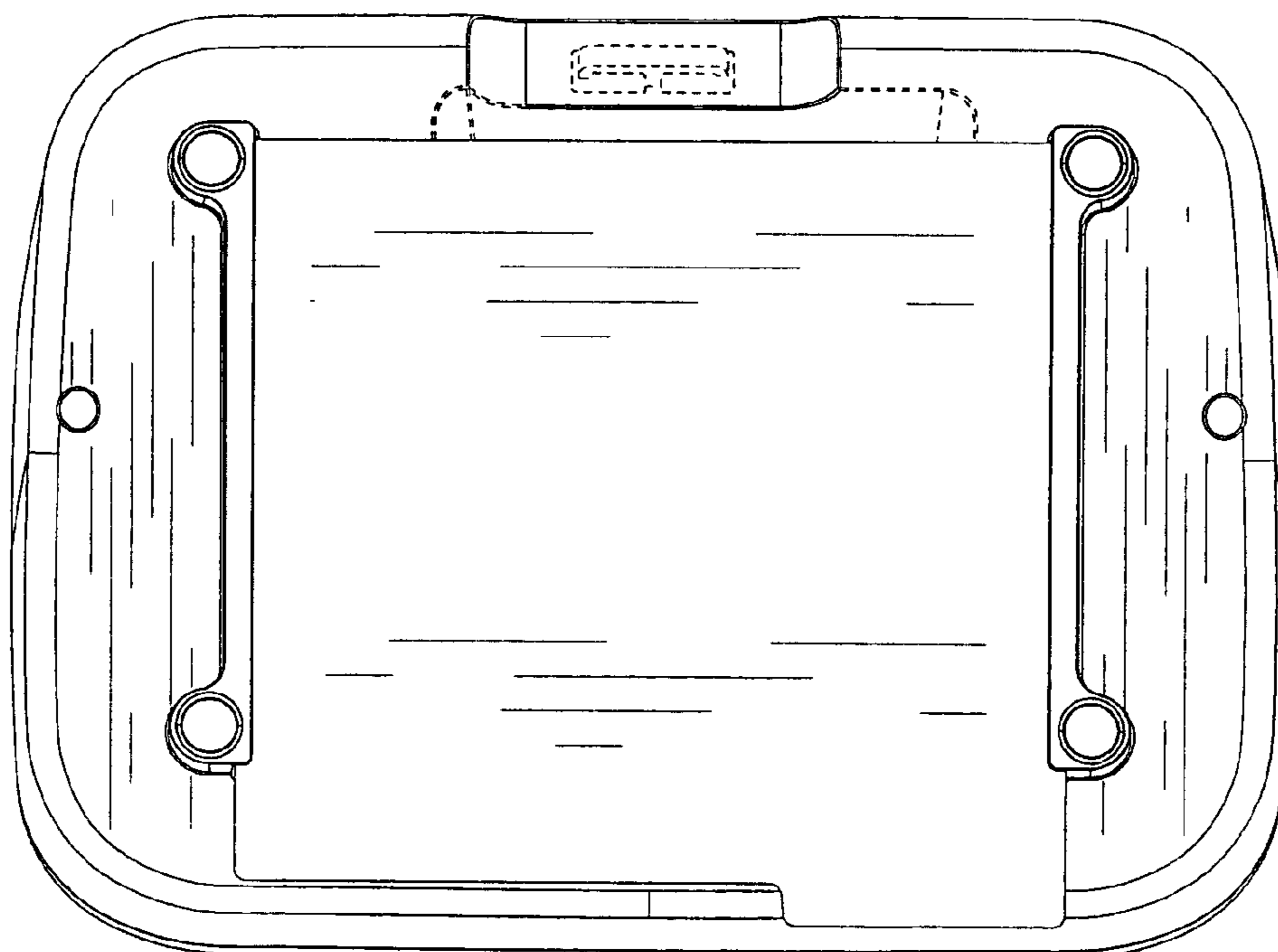


FIG. 8