

US00D544475S

(12) **United States Design Patent**  
**Udagawa et al.**

(10) **Patent No.:** **US D544,475 S**  
(45) **Date of Patent:** **\*\* Jun. 12, 2007**

(54) **HANDSET**

(75) Inventors: **Masamichi Udagawa**, New York, NY (US); **Sigrid Moeslinger**, New York, NY (US)

(73) Assignee: **Microsoft Corporation**, Redmond, WA (US)

(\*\*) Term: **14 Years**

(21) Appl. No.: **29/247,550**

(22) Filed: **Jun. 26, 2006**

(51) **LOC (8) Cl.** ..... **14-03**

(52) **U.S. Cl.** ..... **D14/248**

(58) **Field of Classification Search** ..... D14/137-138, D14/147-148, 156, 218, 247-248, 341-347, D14/496; D16/208; D21/329, 331, 333, D21/517; 348/14.01-14.02; 361/814; 379/433.01-433.13; 455/556.1-556.2, 575.1, 455/575.3, 575.4, 566, 90.3  
See application file for complete search history.

(56) **References Cited**

**U.S. PATENT DOCUMENTS**

- 3,659,050 A \* 4/1972 Carlsson et al. .... 379/420.03
- D266,325 S \* 9/1982 Butchko ..... D14/248
- D275,006 S \* 8/1984 Danielson et al. .... D14/248
- D282,928 S \* 3/1986 Marshall ..... D14/248
- D299,027 S \* 12/1988 Boykiw ..... D14/248
- D299,648 S \* 1/1989 Yoshiharu ..... D14/147
- D312,636 S \* 12/1990 Arm ..... D14/150

- D326,449 S \* 5/1992 Wachob et al. .... D14/138
- D330,023 S \* 10/1992 Kikuchi et al. .... D14/138
- D339,354 S \* 9/1993 Brunson ..... D14/248
- D362,252 S \* 9/1995 Ansell et al. .... D14/144
- D413,328 S \* 8/1999 Kazama ..... D14/218
- 6,334,063 B1 \* 12/2001 Charlier et al. .... 455/566

**FOREIGN PATENT DOCUMENTS**

- WO DM/046535 \* 1/1999
- WO DM/052289 \* 5/2000

\* cited by examiner

*Primary Examiner*—Ian Simmons

*Assistant Examiner*—Carla Jobe Wright

(74) *Attorney, Agent, or Firm*—Banner & Witcoff, Ltd.

(57) **CLAIM**

The ornamental design for a handset, as shown and described.

**DESCRIPTION**

FIG. 1 is a perspective view of a handset showing our new design;

FIG. 2 is a front view thereof;

FIG. 3 is a rear view thereof;

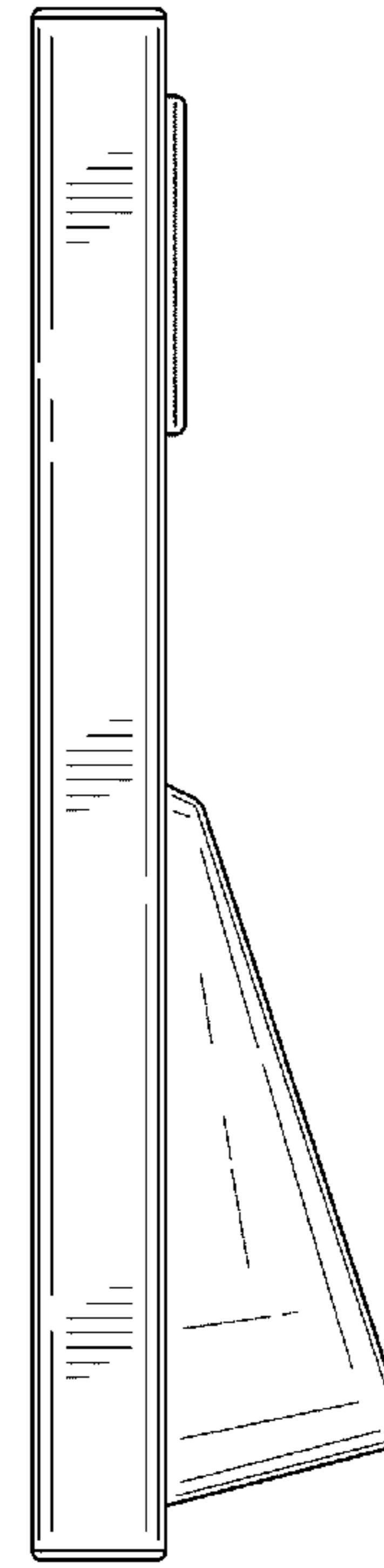
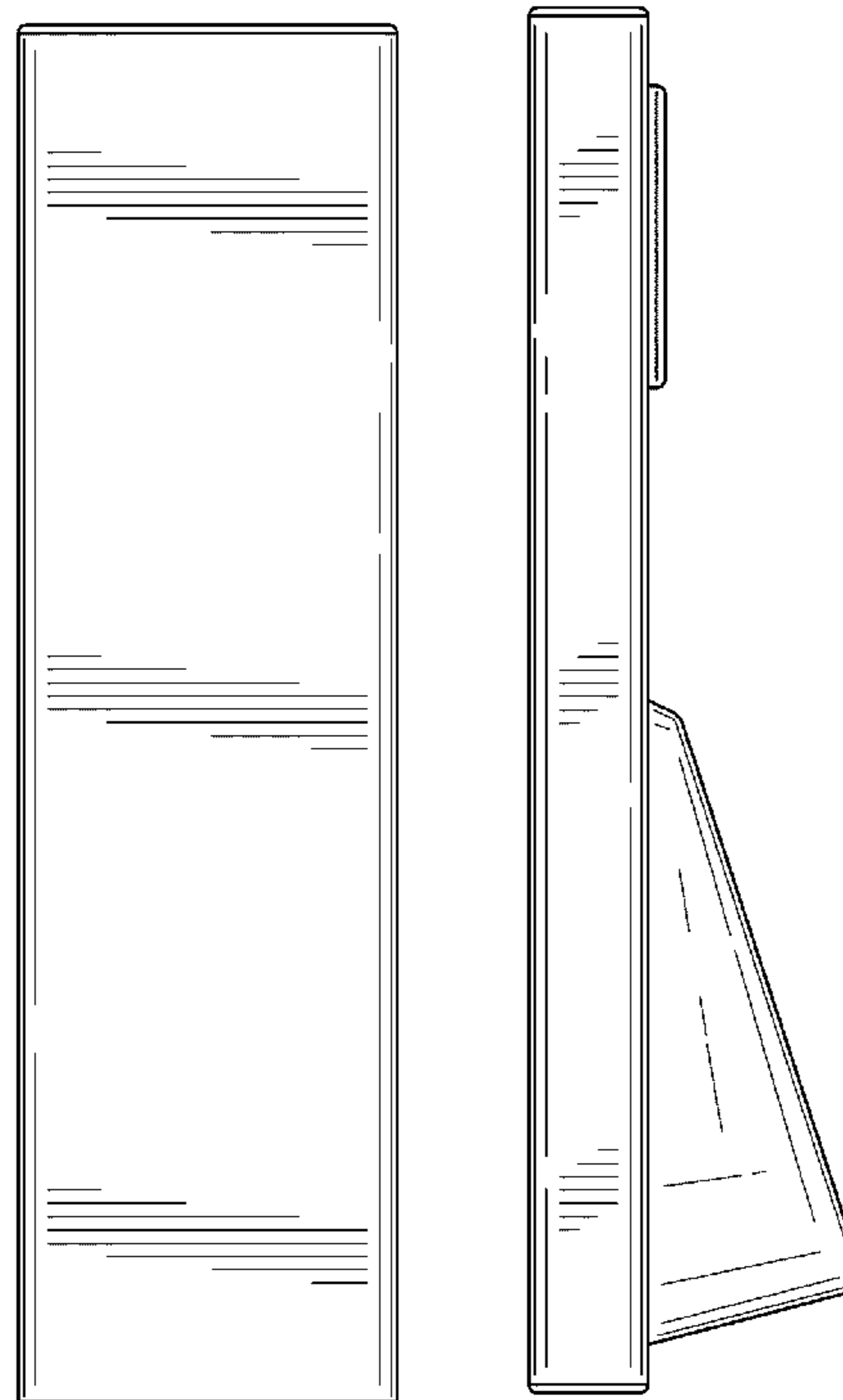
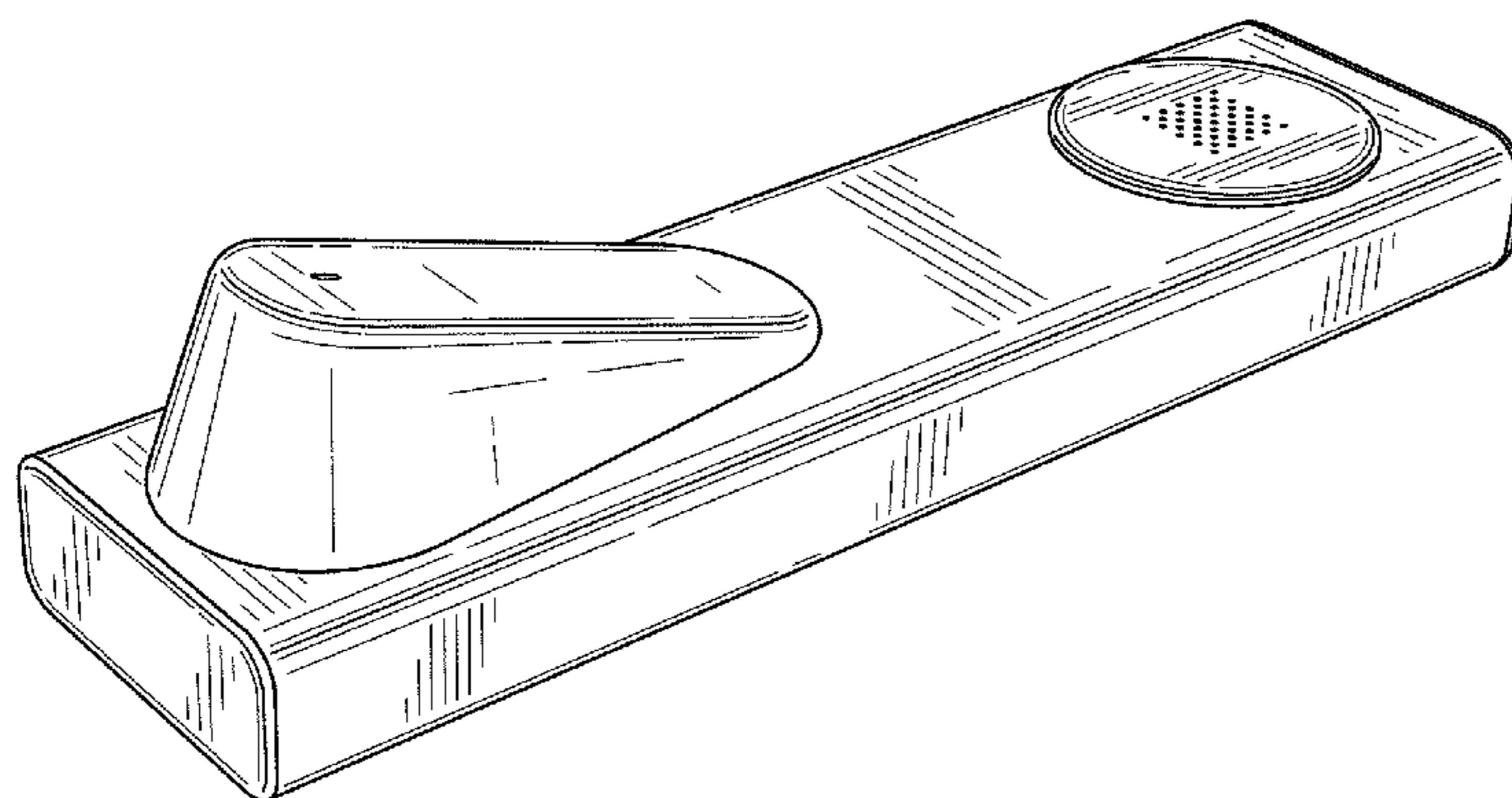
FIG. 4 is a left side view thereof;

FIG. 5 is a right side thereof;

FIG. 6 is a bottom view thereof; and,

FIG. 7 is a top view thereof.

**1 Claim, 4 Drawing Sheets**



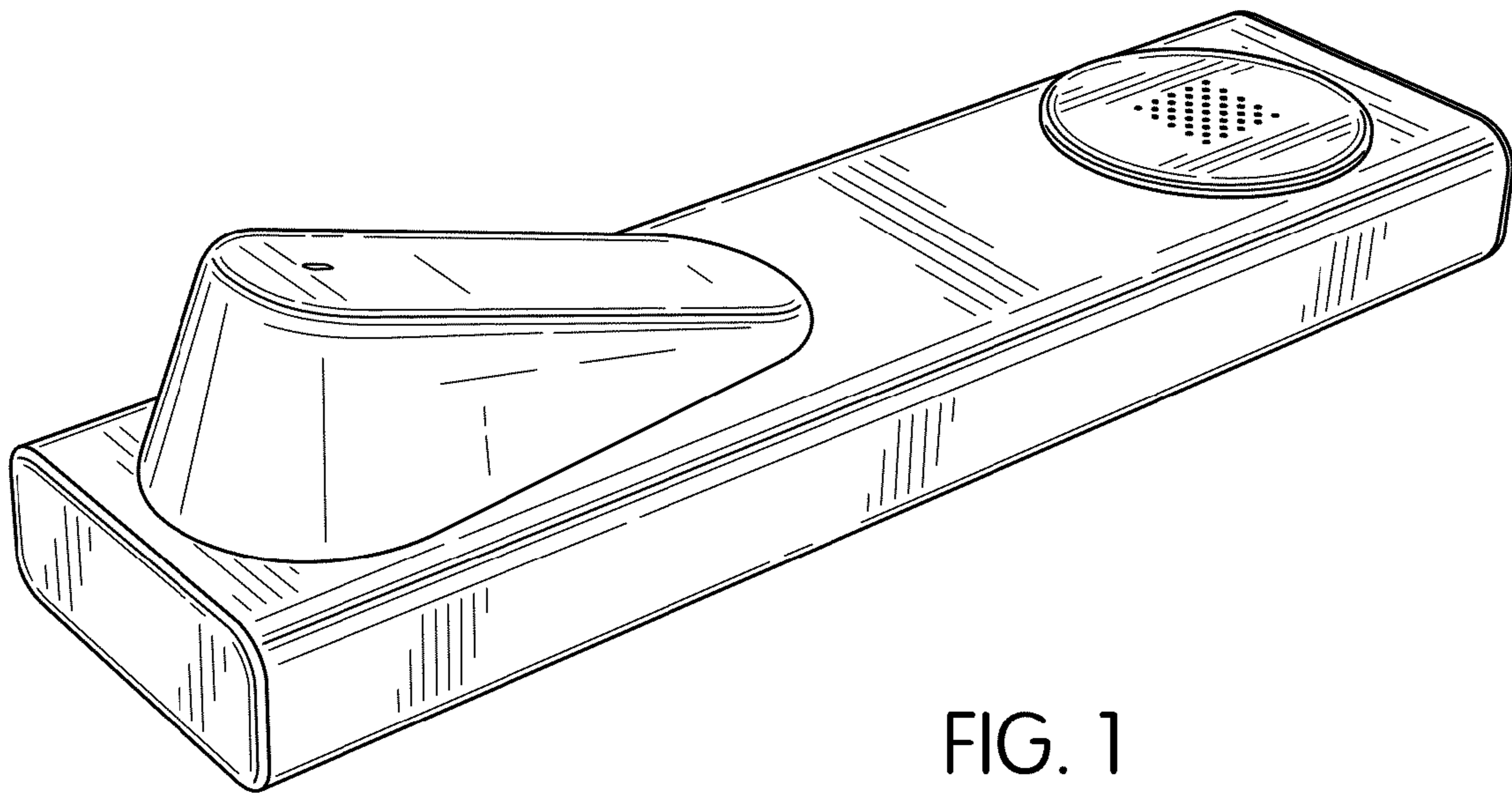


FIG. 1

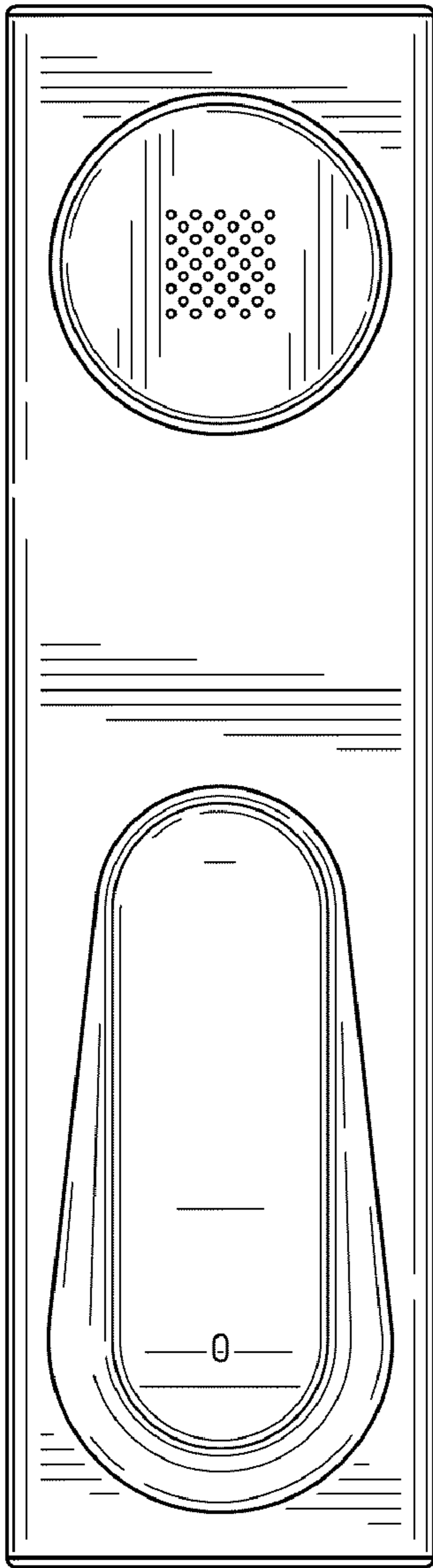


FIG. 2

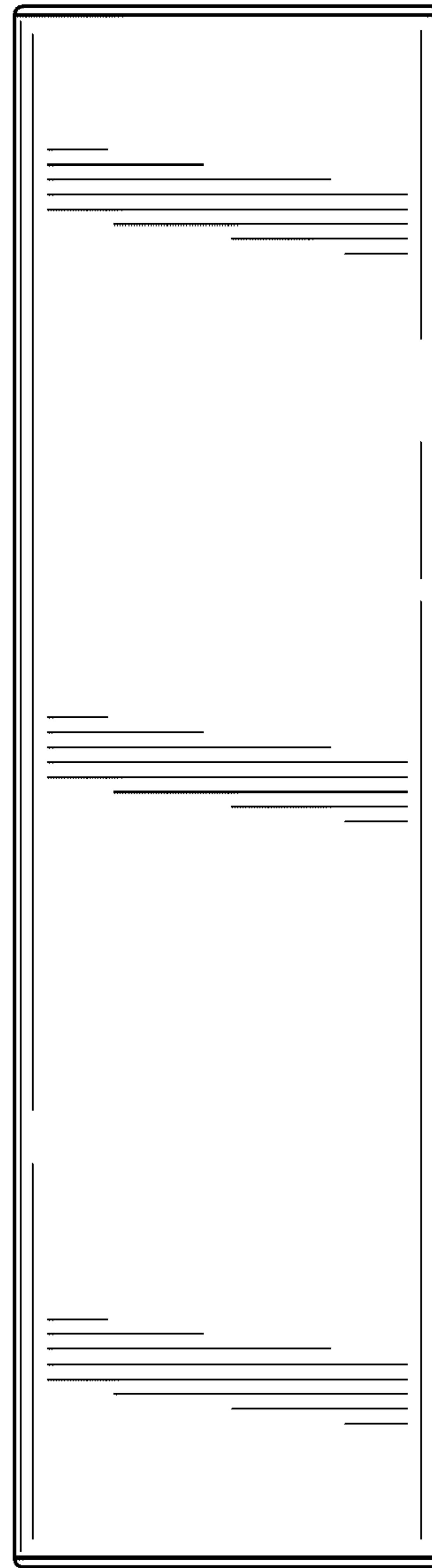


FIG. 3

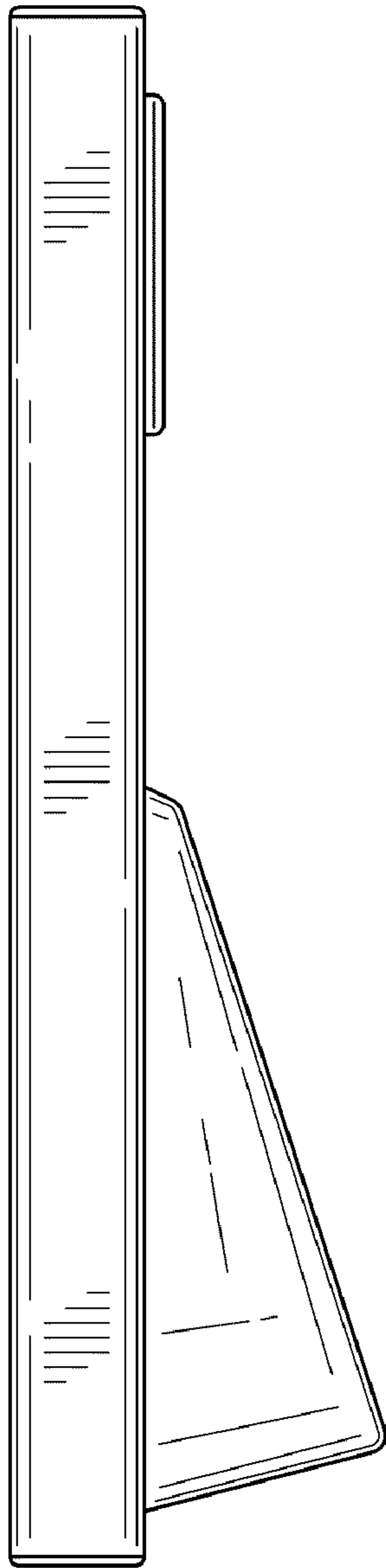


FIG. 4

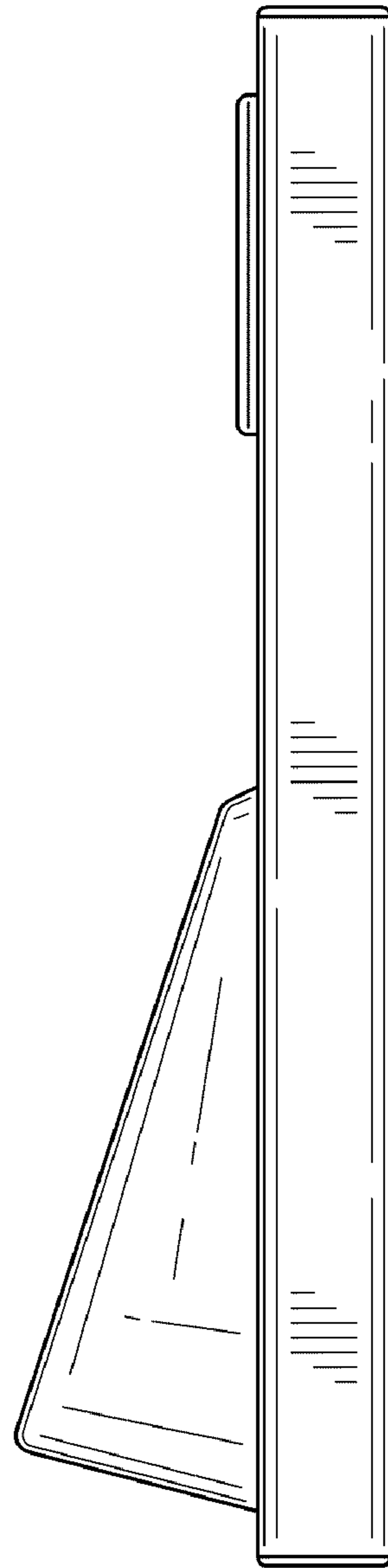


FIG. 5

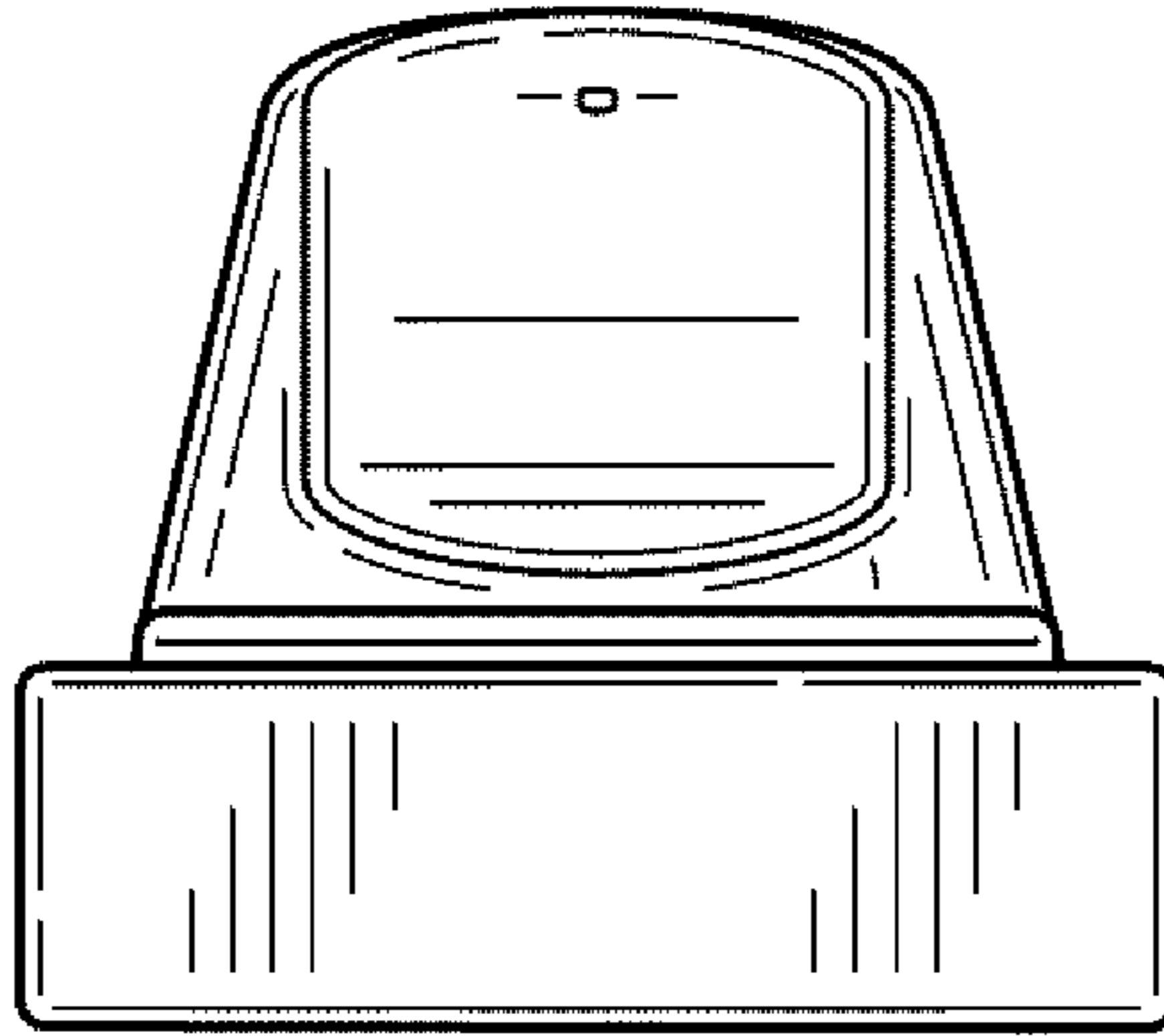


FIG. 6

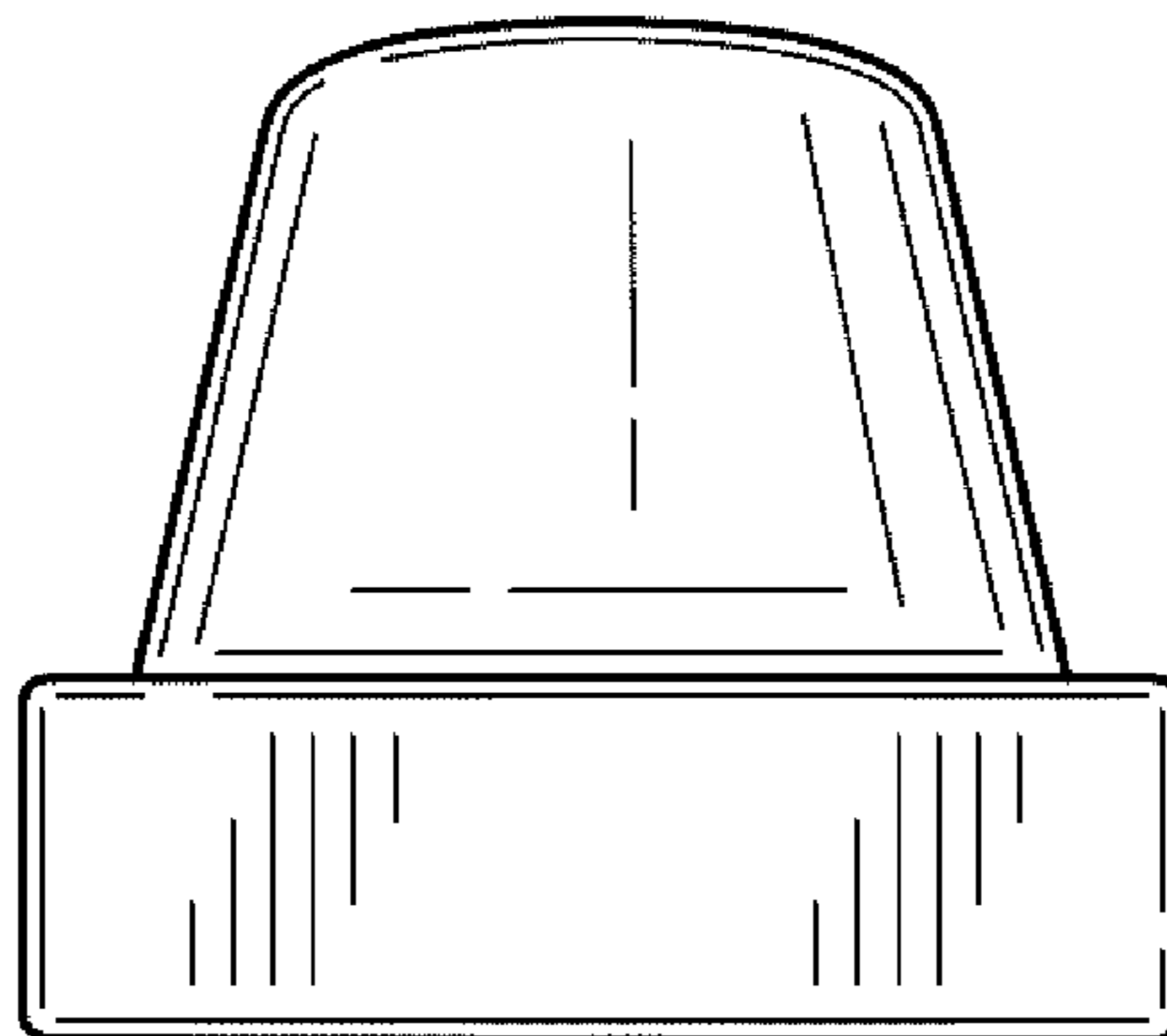


FIG. 7