



US00D544471S

(12) **United States Design Patent**  
**Wang**

(10) **Patent No.:** **US D544,471 S**

(45) **Date of Patent:** **\*\* Jun. 12, 2007**

(54) **INDOOR ANTENNA**

D481,031 S \* 10/2003 Wang ..... D14/235  
D501,000 S \* 1/2005 Wang ..... D14/235  
D517,535 S \* 3/2006 Wu ..... D14/230

(75) Inventor: **Cheng-Si Wang**, Changhua Hsien (TW)

(73) Assignee: **Trans Electric Co., Ltd.**, Changhua Hsien (TW)

(\*\*) Term: **14 Years**

(21) Appl. No.: **29/264,618**

(22) Filed: **Aug. 15, 2006**

(51) **LOC (8) Cl.** ..... **14-03**

(52) **U.S. Cl.** ..... **D14/230**

(58) **Field of Classification Search** ..... D14/138,  
D14/230-238, 299, 358; D12/42, 43; 343/700 R-705,  
343/871-908, 795, 840, 711-713, 819, 846;  
455/90.2, 90.3, 91, 128, 269, 344, 347, 562.1  
See application file for complete search history.

(56) **References Cited**

**U.S. PATENT DOCUMENTS**

D211,025 S \* 5/1968 Callaghan ..... D14/234  
D224,973 S \* 10/1972 Franzone ..... D14/235  
D236,503 S \* 8/1975 Middlemark ..... D14/235  
D239,774 S \* 5/1976 Kuldin ..... D14/235  
D480,713 S \* 10/2003 Wang ..... D14/235

\* cited by examiner

*Primary Examiner*—Louis S. Zarfes

*Assistant Examiner*—John Windmuller

(74) *Attorney, Agent, or Firm*—Posz Law Group, PLC; R. Eugene Varndell, Jr.

(57) **CLAIM**

The ornamental design for an indoor antenna, as shown.

**DESCRIPTION**

FIG. 1 is a perspective view of an indoor antenna showing my new design;

FIG. 2 is a front elevational view thereof;

FIG. 3 is a rear elevational view thereof;

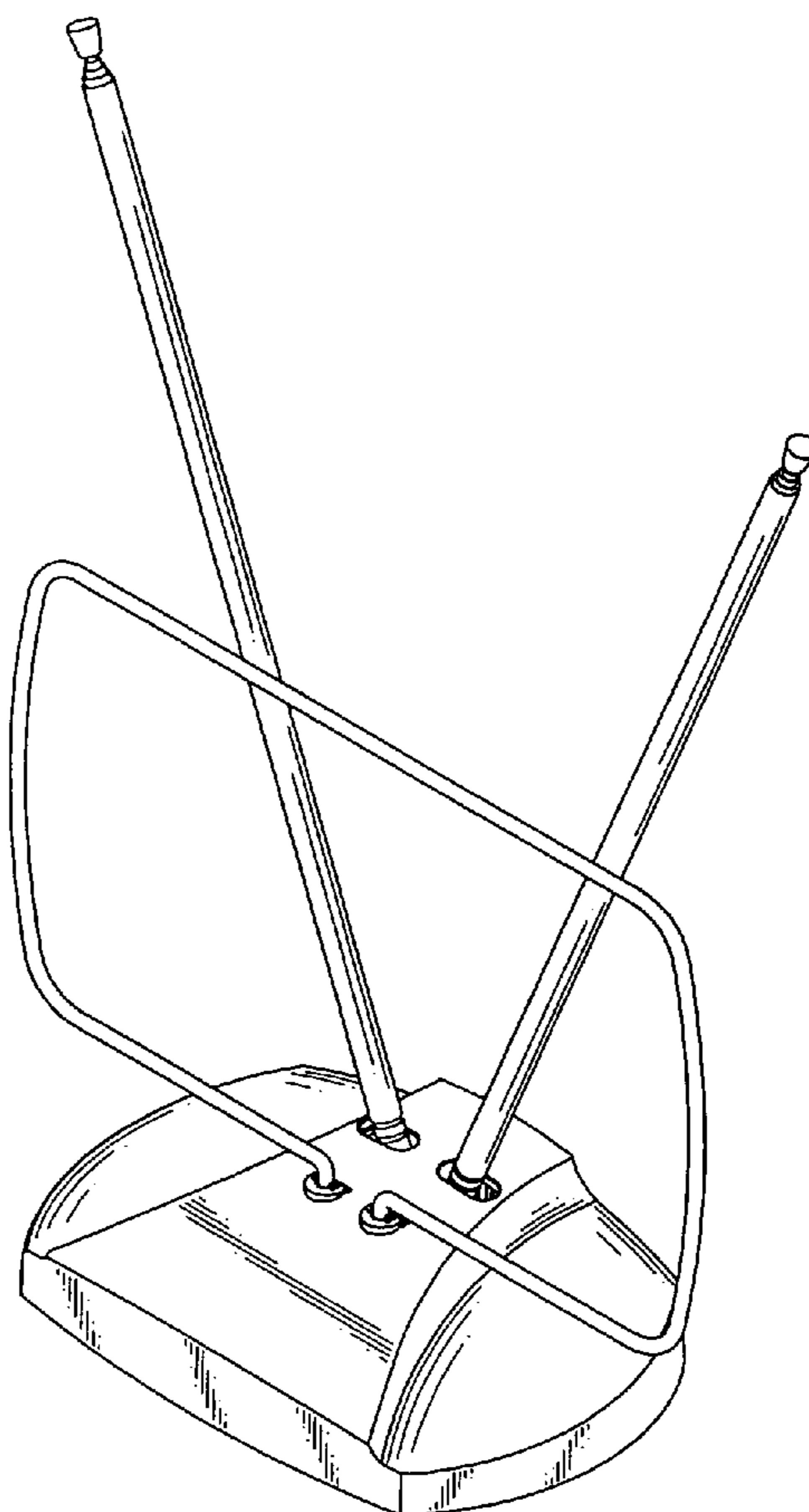
FIG. 4 is a left side elevational view thereof;

FIG. 5 is a right side elevational view thereof;

FIG. 6 is a top plan view thereof; and,

FIG. 7 is a bottom plan view thereof.

**1 Claim, 6 Drawing Sheets**



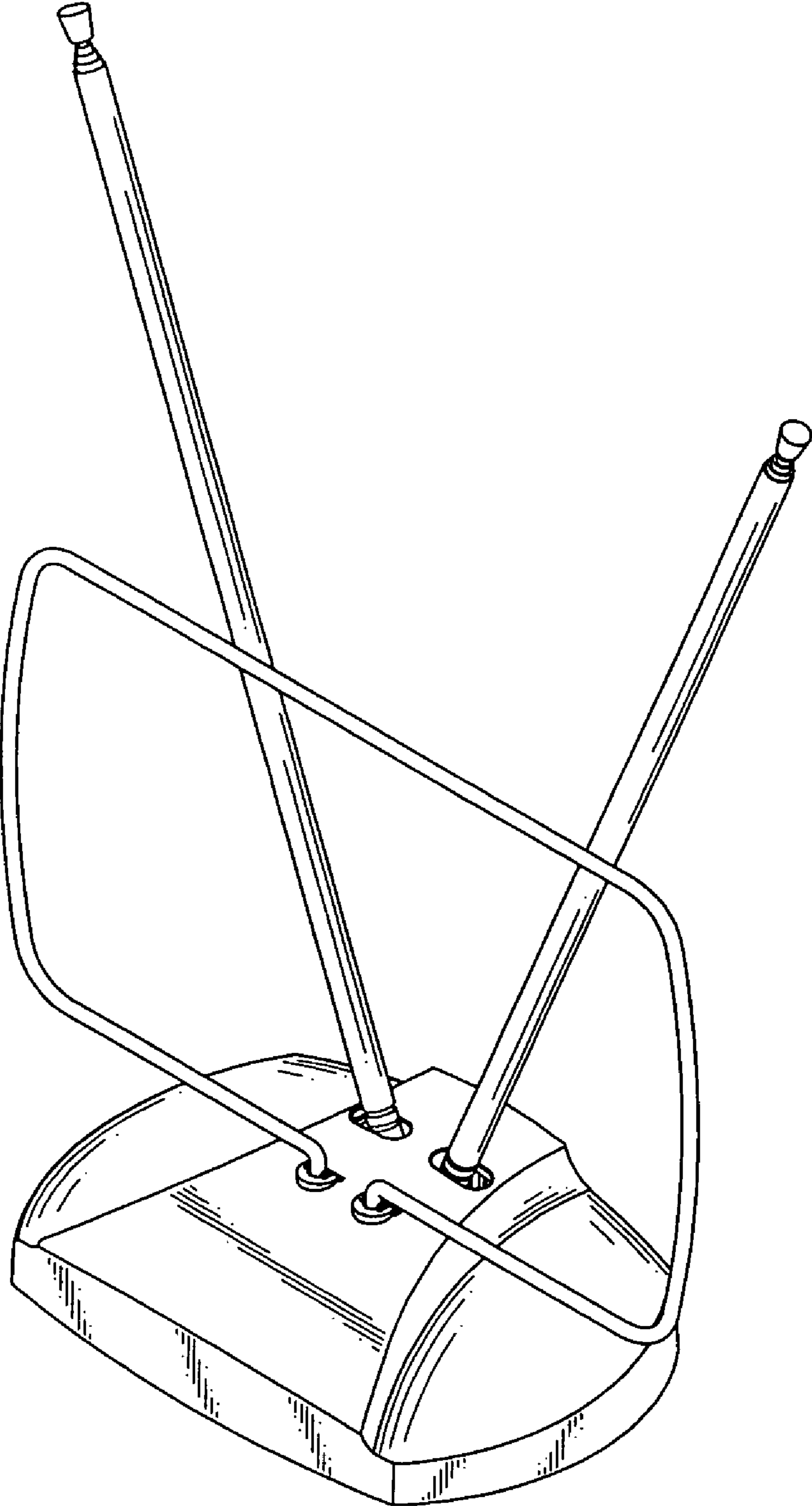


FIG. 1

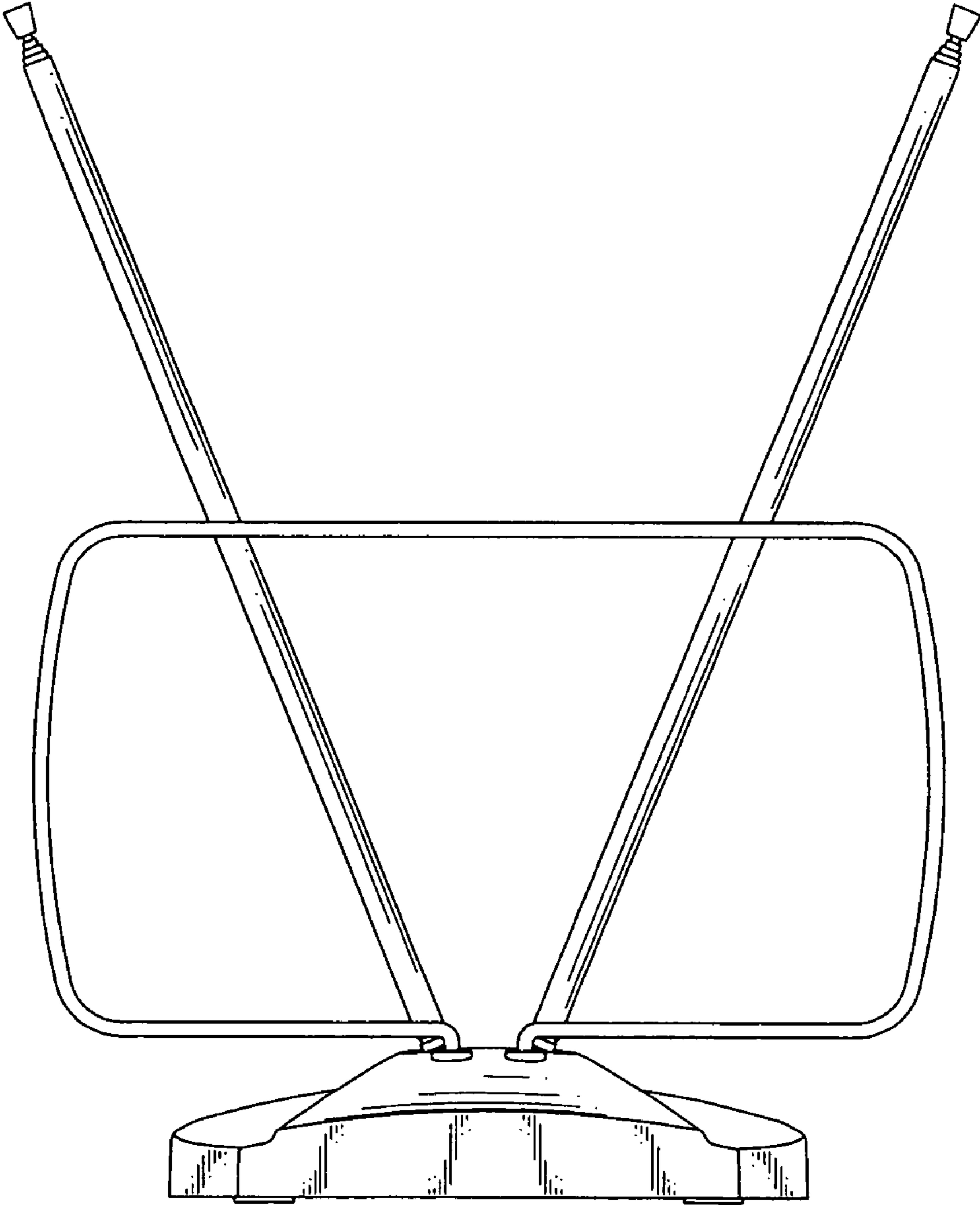


FIG. 2

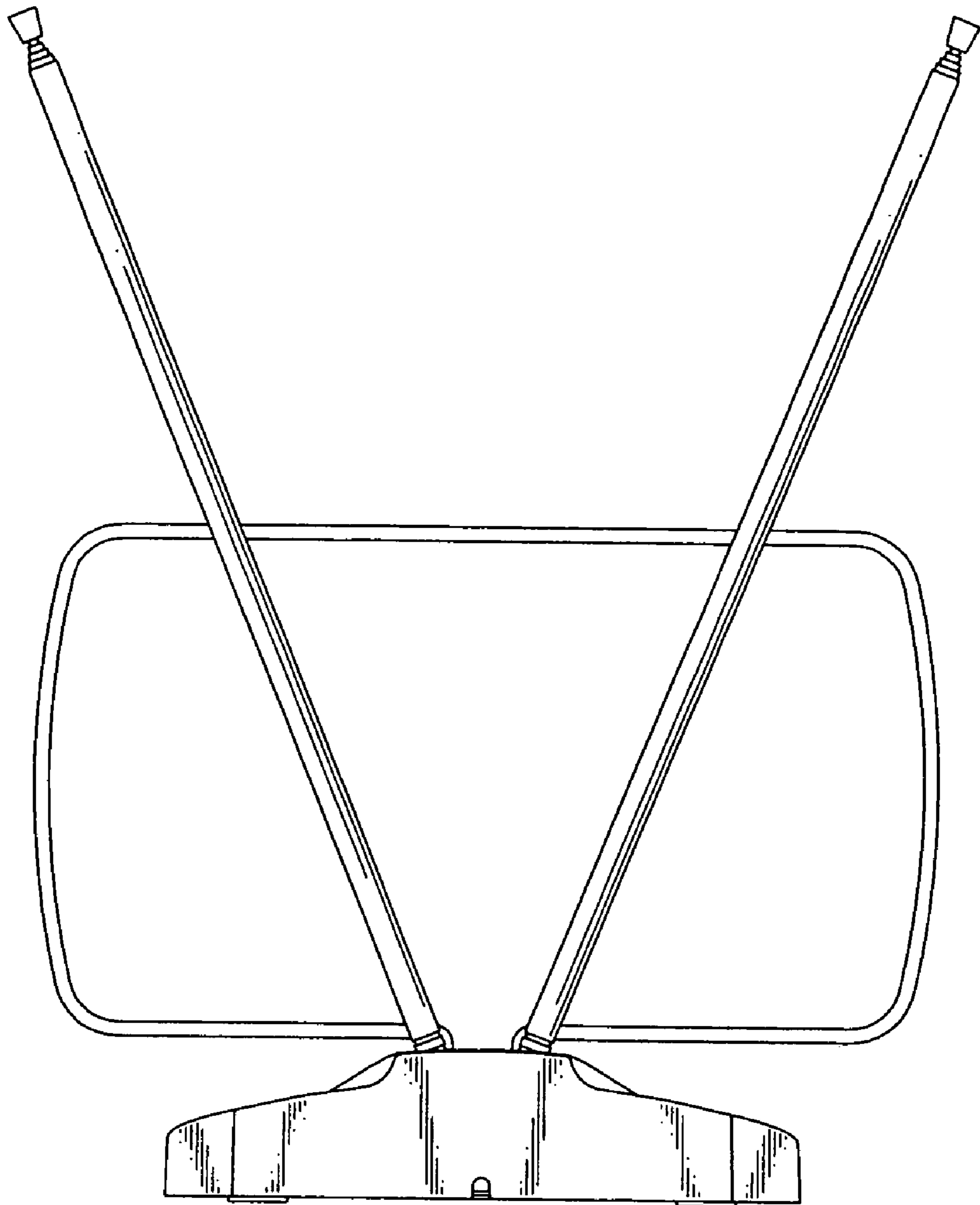


FIG. 3

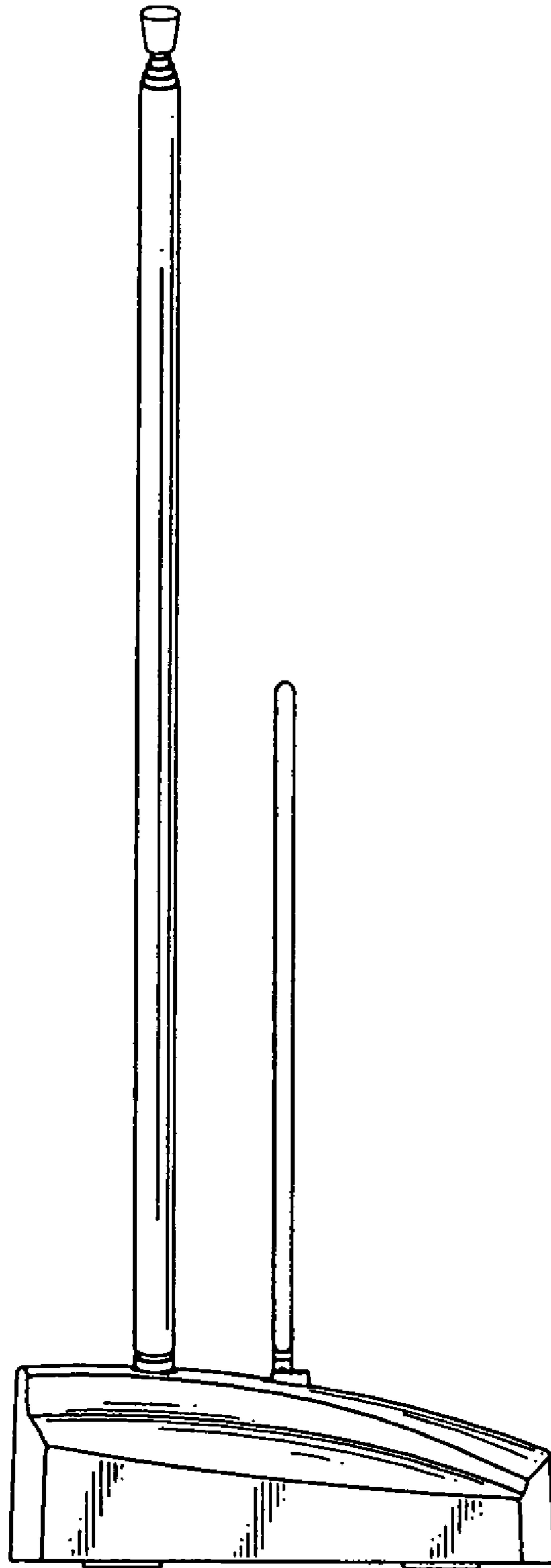


FIG. 4

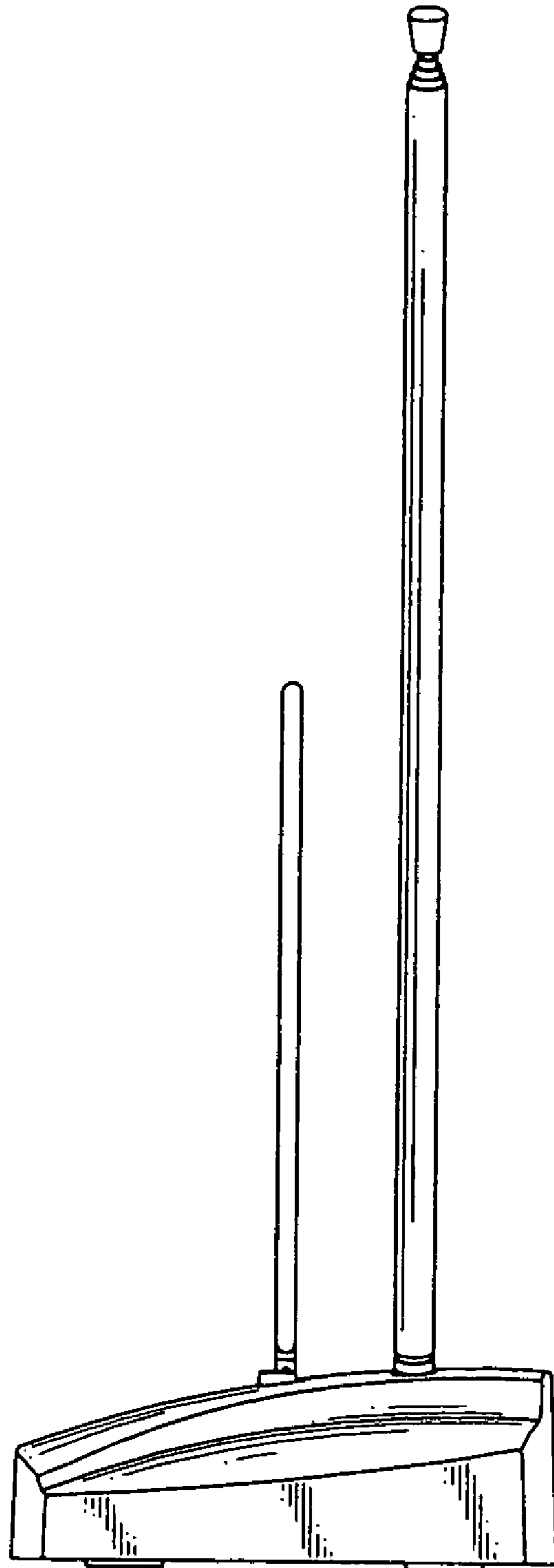


FIG. 5

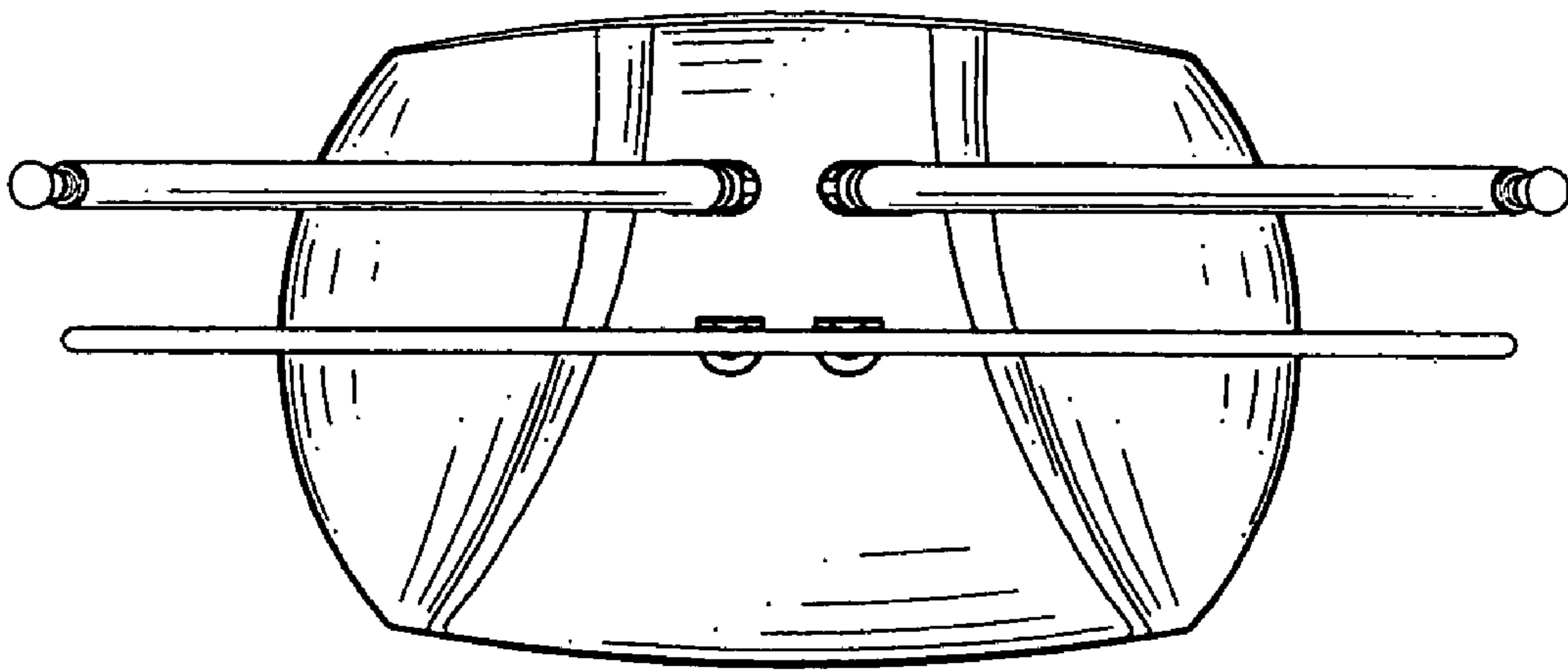


FIG. 6

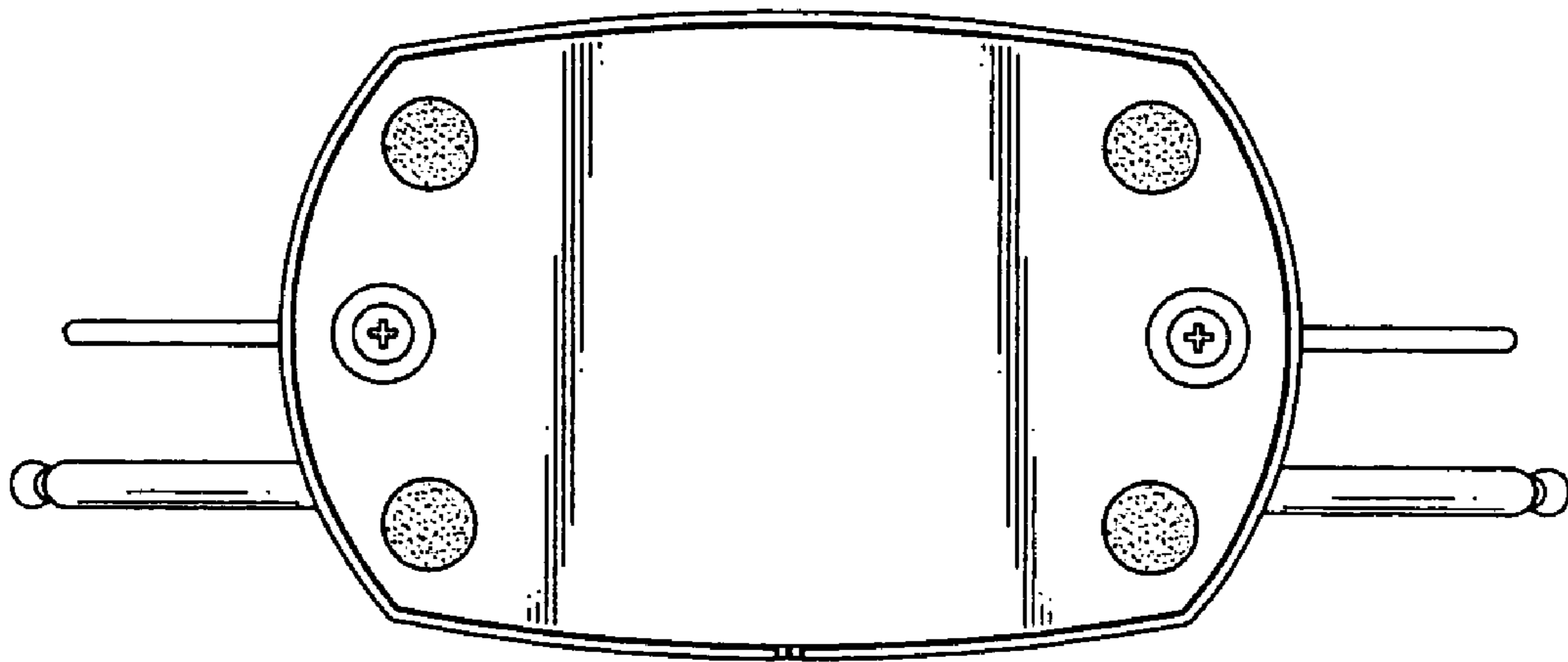


FIG. 7