



US00D544463S

(12) **United States Design Patent**
Harris

(10) **Patent No.:** **US D544,463 S**

(45) **Date of Patent:** **** Jun. 12, 2007**

(54) **AUDIO SOUND SYSTEM**

(75) **Inventor:** **Kenneth David Harris**, Hollis, NH
(US)

(73) **Assignee:** **Brookstone Purchasing, Inc.**,
Merrimack, NH (US)

(**) **Term:** **14 Years**

(21) **Appl. No.:** **29/224,766**

(22) **Filed:** **Mar. 7, 2005**

(51) **LOC (8) Cl.** **14-01**

(52) **U.S. Cl.** **D14/168; D14/172**

(58) **Field of Classification Search** D14/160-165,
D14/167-168, 192-198, 204, 210-214, 172,
D14/445; 360/99.02, 99.07; 181/144, 148,
181/152, 155, 157, 198; 381/306, 333, 345,
381/361-364; 720/612, 619, 647, 655; 455/344,
455/347-351

See application file for complete search history.

(56) **References Cited**

U.S. PATENT DOCUMENTS

D310,525 S * 9/1990 Camens D14/162
D315,736 S * 3/1991 Takagi D14/172

D322,068 S * 12/1991 Yamakawa D14/168
D432,518 S * 10/2000 Muto D14/172
D432,519 S * 10/2000 Yamaoka et al. D14/172
D437,843 S * 2/2001 Masui D14/215
D457,153 S * 5/2002 Allen D14/168
D480,372 S * 10/2003 Chen et al. D14/136
D488,459 S * 4/2004 Ota D14/211

* cited by examiner

Primary Examiner—Nanda Bondade

(74) *Attorney, Agent, or Firm*—Nixon Peabody, LLP

(57) **CLAIM**

The ornamental design for an audio sound system, as shown and described.

DESCRIPTION

FIG. 1 is a front perspective view of an audio sound system showing my new design;

FIG. 2 is a front elevational view thereof;

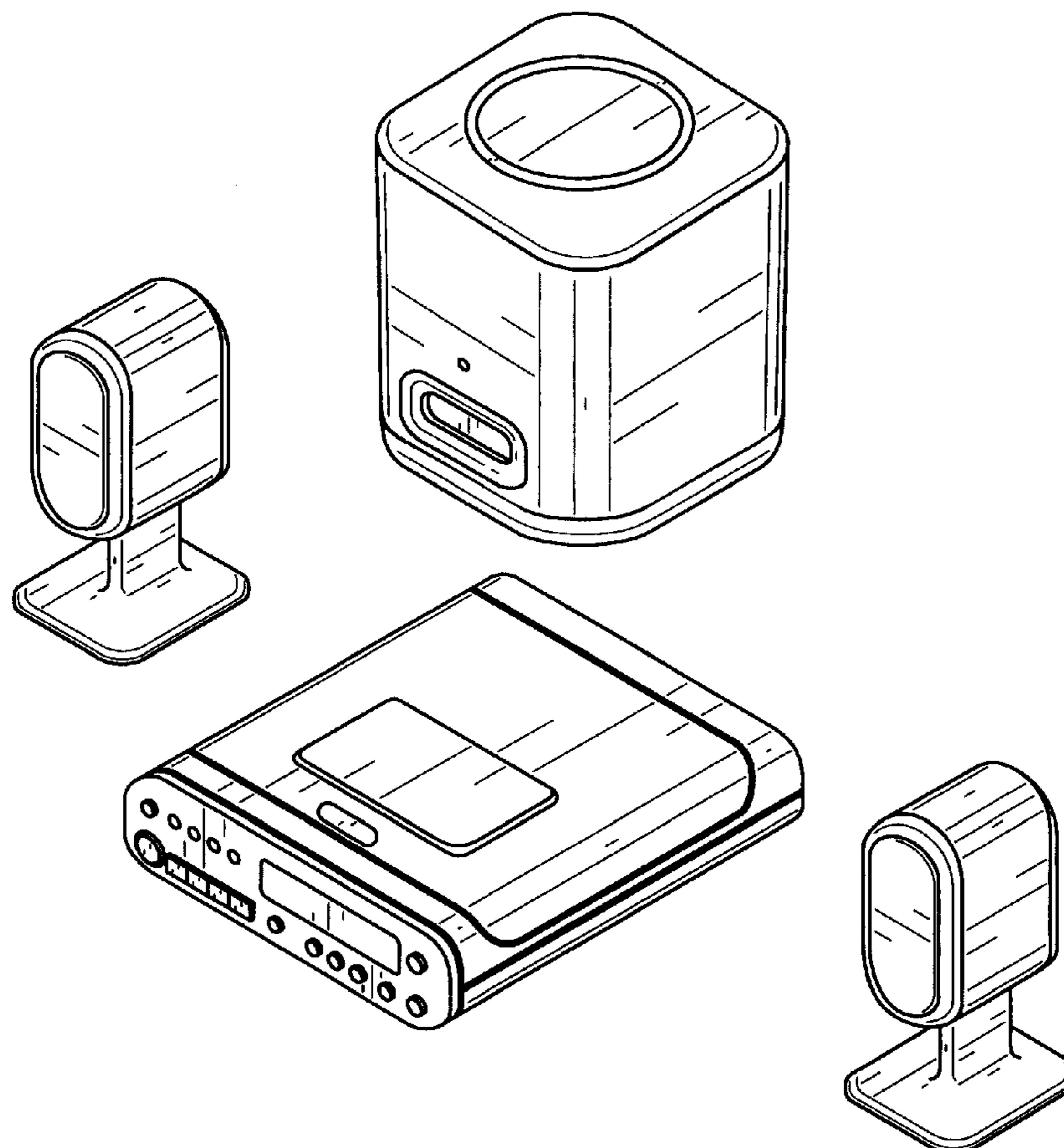
FIG. 3 is a rear elevational view thereof;

FIG. 4 is a side elevational view thereof;

FIG. 5 is a top plan view thereof; and,

FIG. 6 is a bottom plan view thereof.

1 Claim, 6 Drawing Sheets



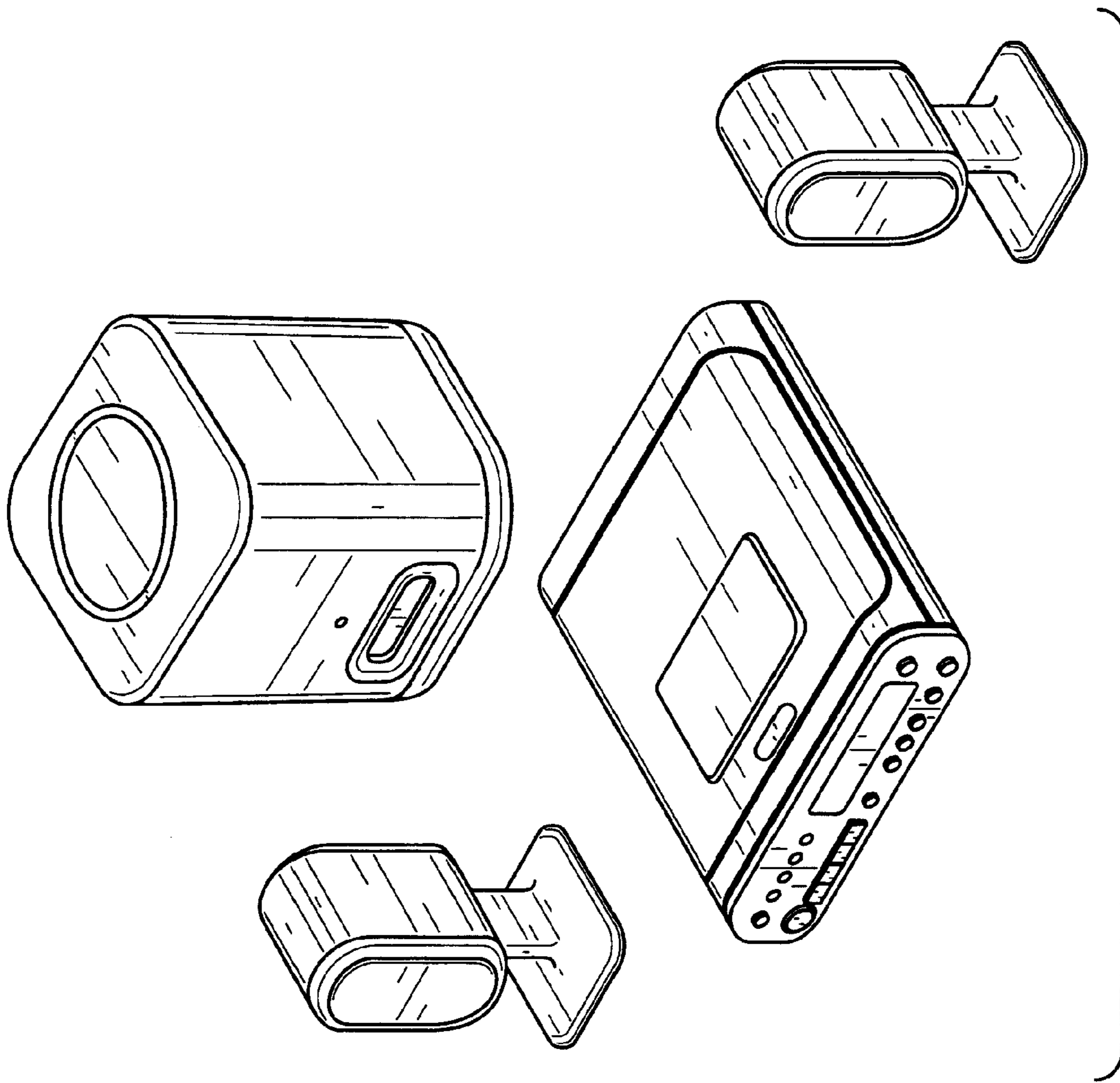


FIG. 1

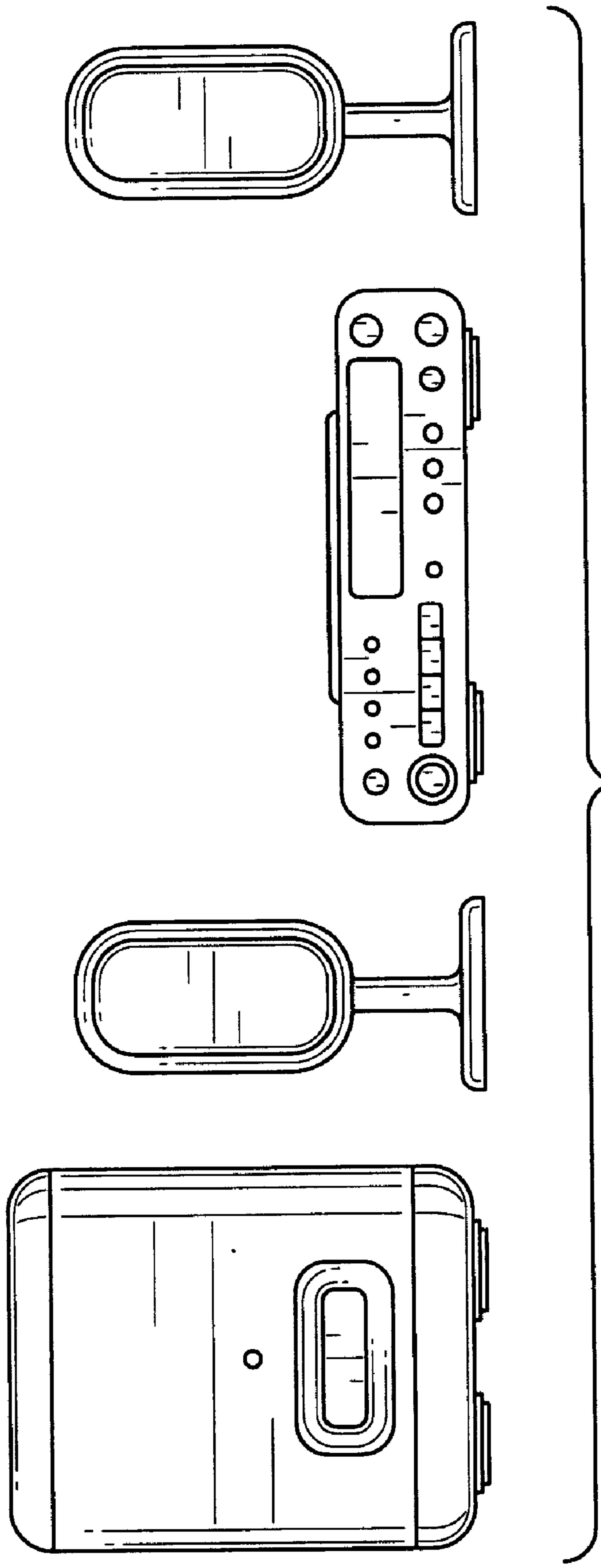


FIG. 2

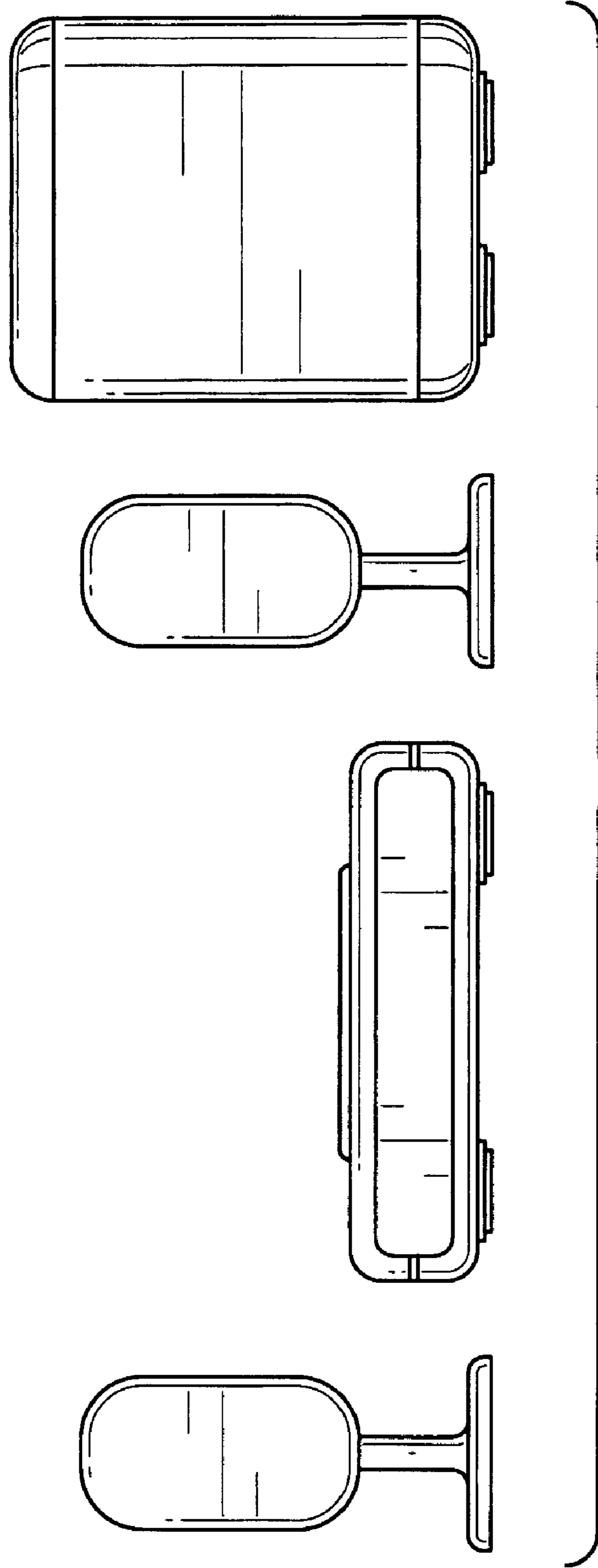


FIG. 3

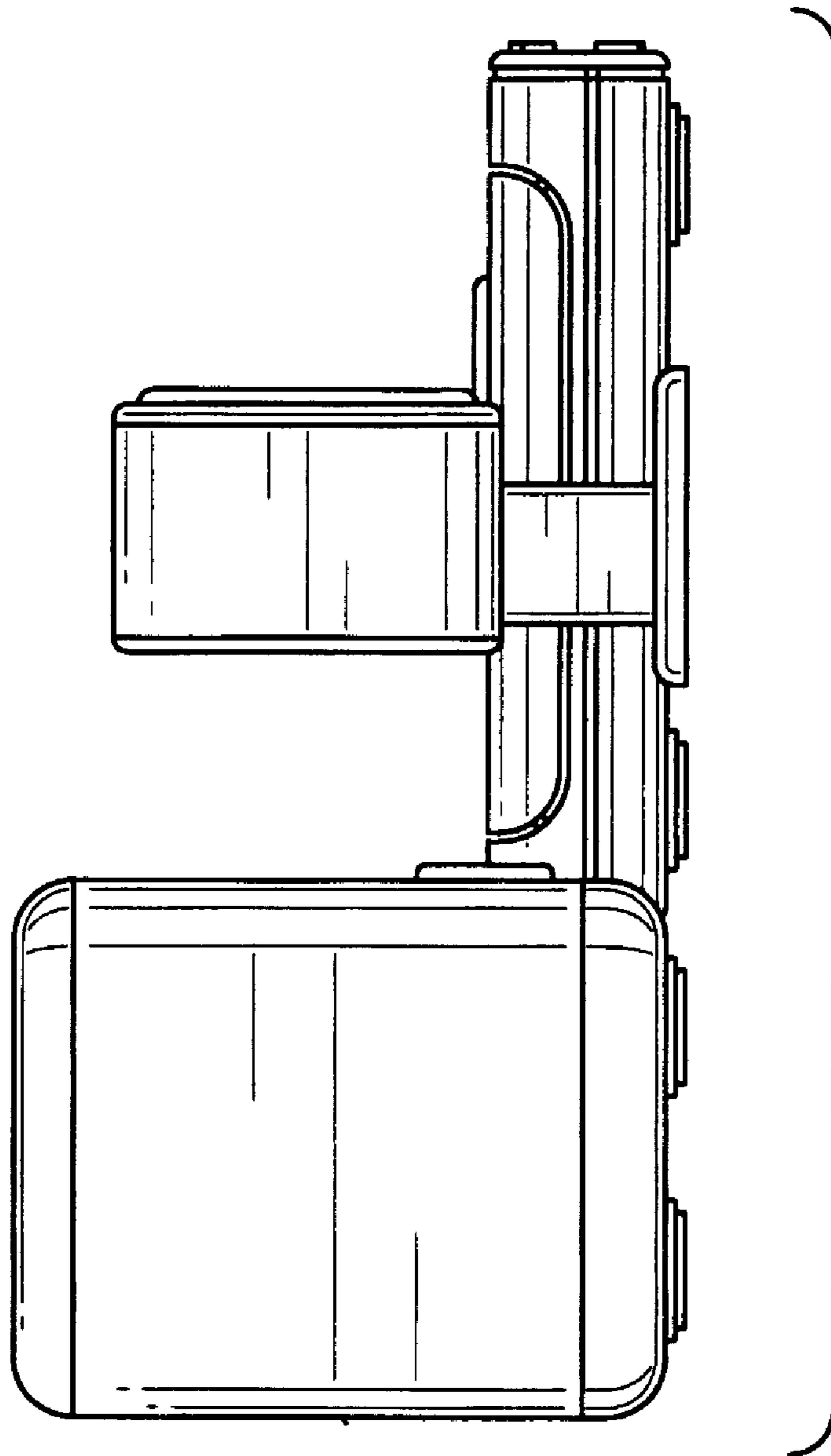


FIG. 4

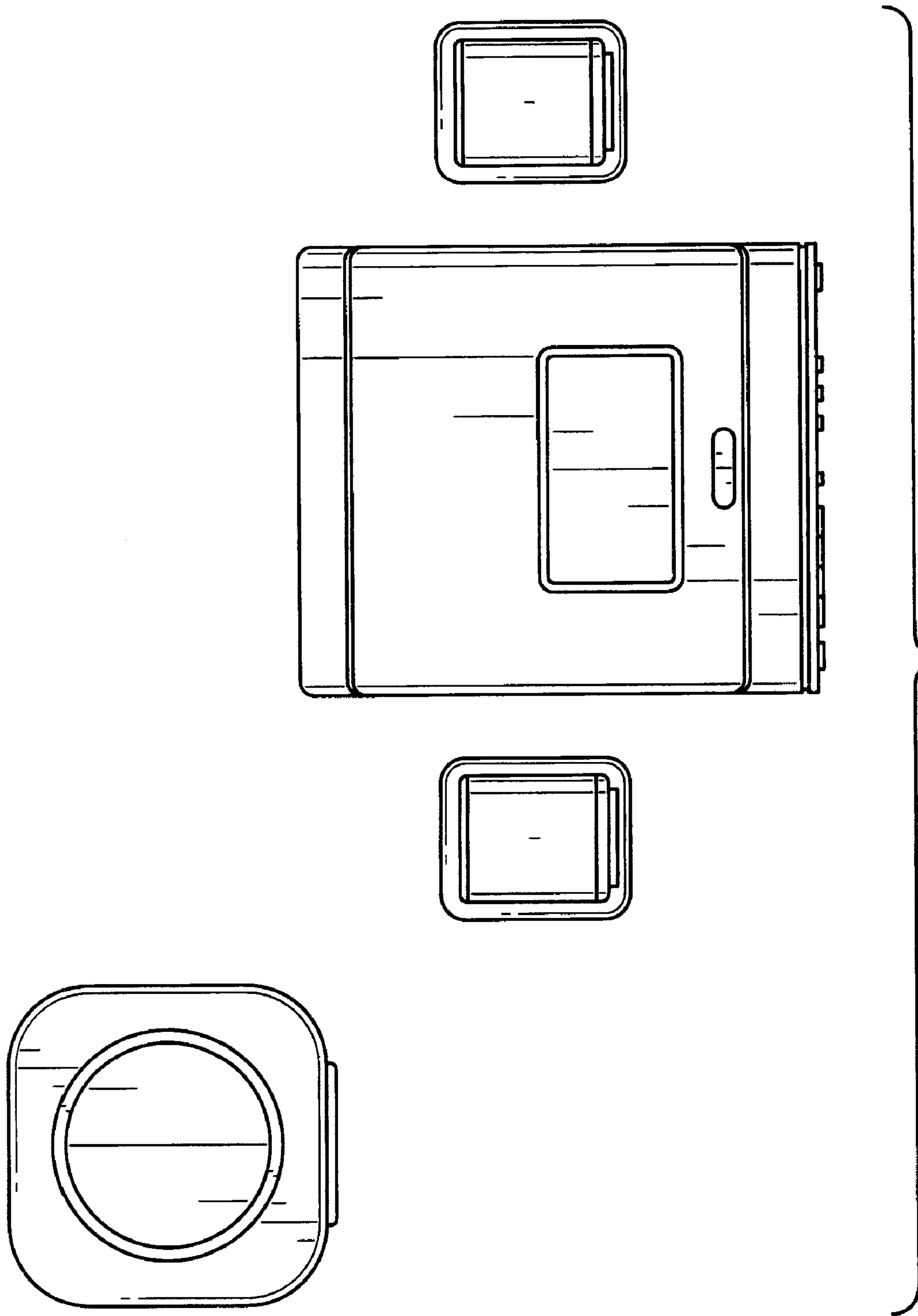


FIG. 5

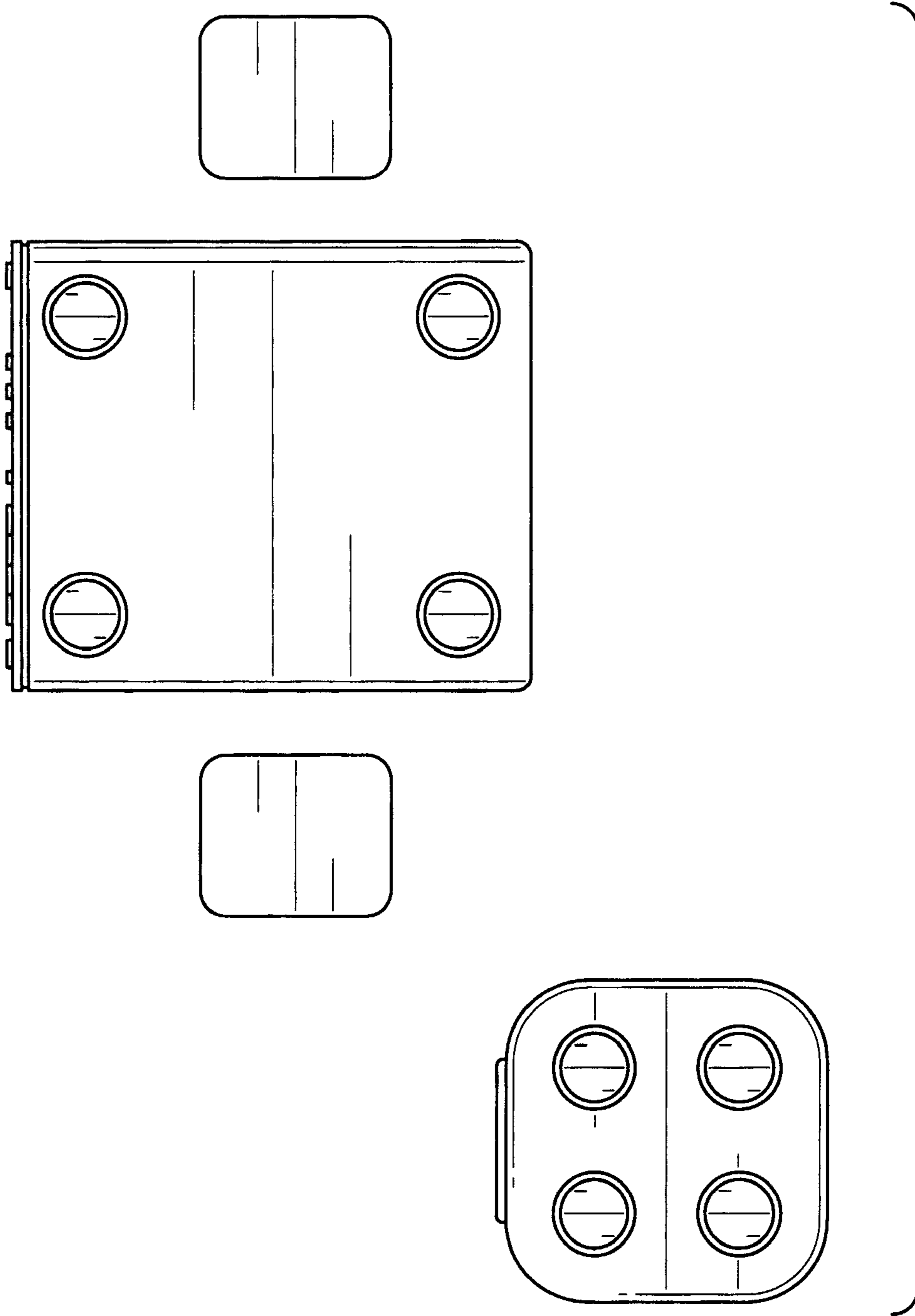


FIG. 6