



US00D544462S

(12) **United States Design Patent**
Patel

(10) **Patent No.:** **US D544,462 S**

(45) **Date of Patent:** **** Jun. 12, 2007**

(54) **RADIO TRANSMITTER AND BATTERY HOUSING ADAPTED TO ENGAGE A DIGITAL PROCESSING DEVICE**

(75) Inventor: **Aakar Patel**, Thousand Oaks, CA (US)

(73) Assignee: **Battery-Biz, Inc.**, Newbury Park, CA (US)

(**) Term: **14 Years**

(21) Appl. No.: **29/249,906**

(22) Filed: **Oct. 26, 2006**

(51) **LOC (8) Cl.** **14-03**

(52) **U.S. Cl.** **D14/155**

(58) **Field of Classification Search** D6/601;
D2/719, 700; D14/167, 154, 168, 188, 496,
D14/156, 218, 160, 161, 162, 163, 164, 165,
D14/191, 192; D16/208; D26/38; D10/104;
455/350, 351

See application file for complete search history.

(56) **References Cited**

U.S. PATENT DOCUMENTS

D297,518 S	9/1988	Yuen	
D312,372 S	* 11/1990	Rutherford D6/601
D327,868 S	7/1992	Oka	
D337,984 S	8/1993	Lindahl	
D344,709 S	3/1994	Cooper	

(Continued)

OTHER PUBLICATIONS

Griffin iTrip FM Transmitter <http://www.newegg.com/Product/Product.asp?Item=N82E16855999018&ATT=55-999-018&CMP=OTC-Froogle>, Jul. 26, 2006.
Battery Technology, Inc. http://www.batterytech.com/productview.aspx?br=APPLE&cat=MP3_FM_Transmitter&model=IPOD+NANO&remark=&pid=IP-NANFMTX, Oct. 20, 2006.

DLO nanoTune FM Transmitter/FM Radio/Headphone AMP for IPOD NANO http://www.dlo.com/Products/nano-tune_Prod.tpl?command=showpage&cart=11605094823932905, Oct. 20, 2006.

Primary Examiner—Cathron C. Brooks

Assistant Examiner—Austin Murphy

(74) *Attorney, Agent, or Firm*—Michael Blaine Brooks, P.C.; Michael B. Brooks; Rosemarie F. Jones

(57) **CLAIM**

The ornamental design for a radio transmitter and battery housing adapted to engage a digital processing device, as shown and described.

DESCRIPTION

FIG. 1 is a perspective view of a first embodiment of a radio transmitter and battery housing adapted to engage a digital processing device showing my new design

FIG. 2 is a top plan view thereof;

FIG. 3 is a bottom plan view thereof;

FIG. 4 is a front elevational view thereof;

FIG. 5 is a right elevational view thereof;

FIG. 6 is a back elevational view thereof;

FIG. 7 is a left elevational view thereof;

FIG. 8 is a perspective view thereof including, in broken lines, a digital processing device shown in use;

FIG. 9 is a perspective view of a second embodiment of a radio transmitter and battery housing adapted to engage a digital processing device showing my new design;

FIG. 10 is a top plan view thereof;

FIG. 11 is a bottom plan view thereof;

FIG. 12 is a front elevational view thereof;

FIG. 13 is a right elevational view thereof;

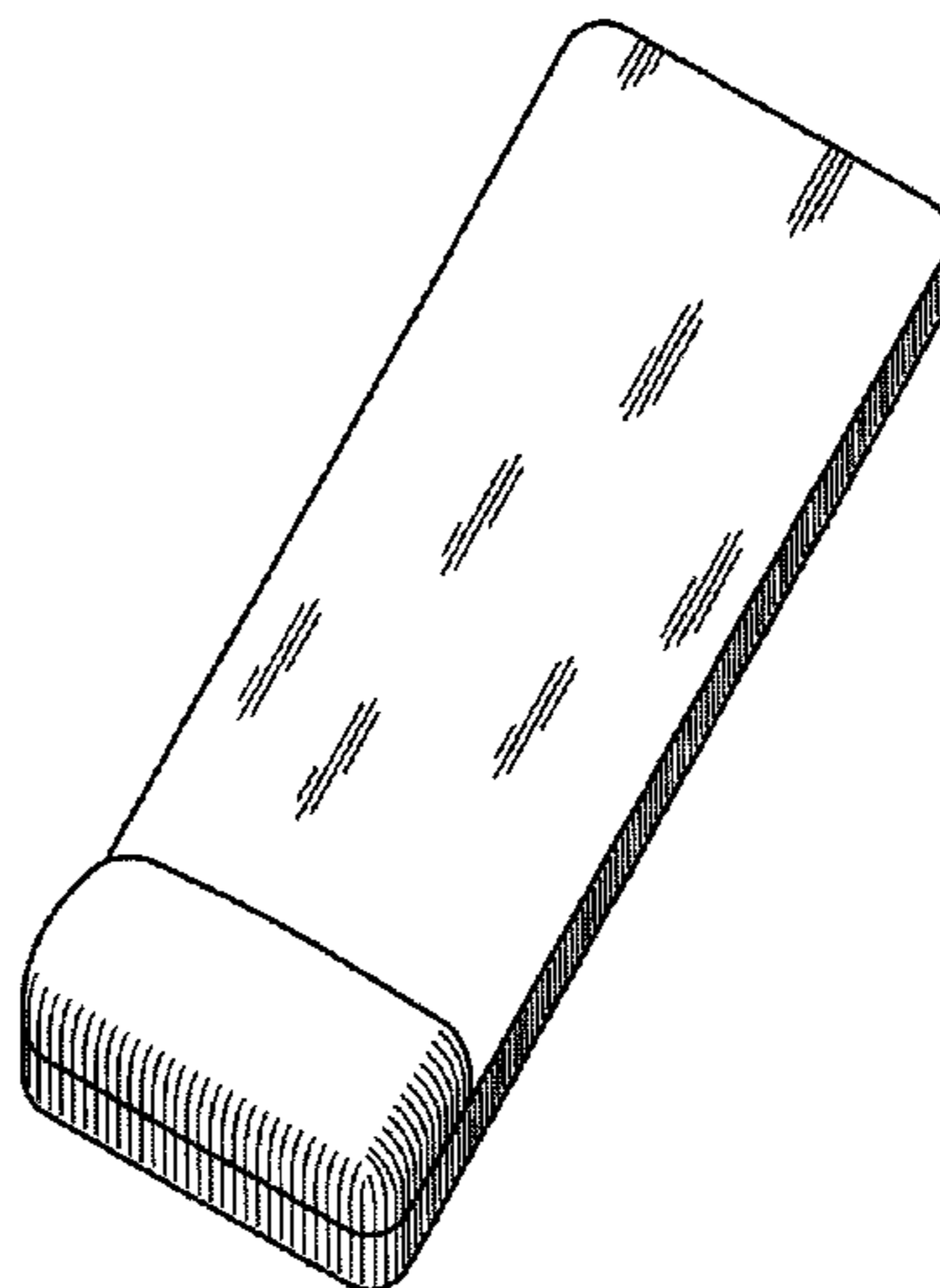
FIG. 14 is a back elevational view thereof;

FIG. 15 is a left elevational view thereof;

FIG. 16 is a perspective view thereof including, in broken lines, a digital processing device shown in use.

The broken lines shown in the drawings form no part of the claimed design.

1 Claim, 6 Drawing Sheets



US D544,462 S

Page 2

U.S. PATENT DOCUMENTS

D345,980 S	4/1994	Scheid et al.		D427,587 S	7/2000	Jacobsen et al.	
D354,280 S	1/1995	Fenton		D432,528 S	10/2000	Hartman et al.	
D354,951 S	1/1995	Fenton et al.		D450,708 S	* 11/2001	Hsu	D14/435
D355,173 S	2/1995	Fenton et al.		D454,864 S	* 3/2002	Kubik	D14/242
D355,412 S	2/1995	Rak et al.		D462,361 S	* 9/2002	Lewtan	D14/458
D361,332 S	8/1995	Scheid et al.		D463,414 S	9/2002	Gao	
D371,770 S	* 7/1996	Larson et al.	D14/242	D487,453 S	3/2004	Ribeiro et al.	
D385,283 S	10/1997	Snyder et al.		D489,070 S	4/2004	Chatterjee	
D388,803 S	* 1/1998	Shinano	D16/202	D489,929 S	* 5/2004	Sherk	D6/604
D413,879 S	* 9/1999	Wu	D14/436	D492,248 S	6/2004	Gregory et al.	
D420,671 S	2/2000	Jacobsen et al.		D514,108 S	1/2006	Bahar et al.	
D420,780 S	* 2/2000	Cox et al.	D2/719	D524,242 S	7/2006	Adams et al.	

* cited by examiner

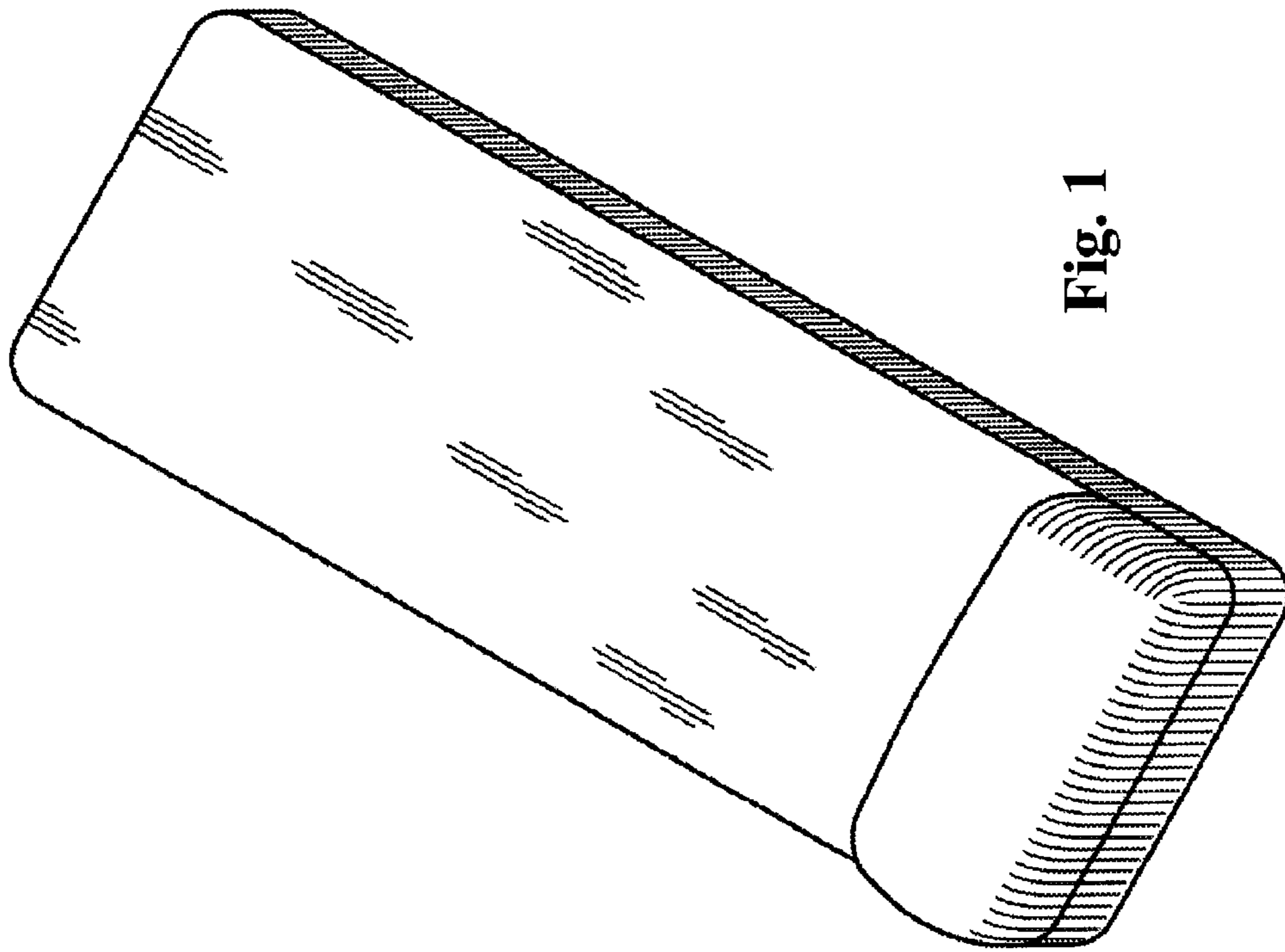


Fig. 1

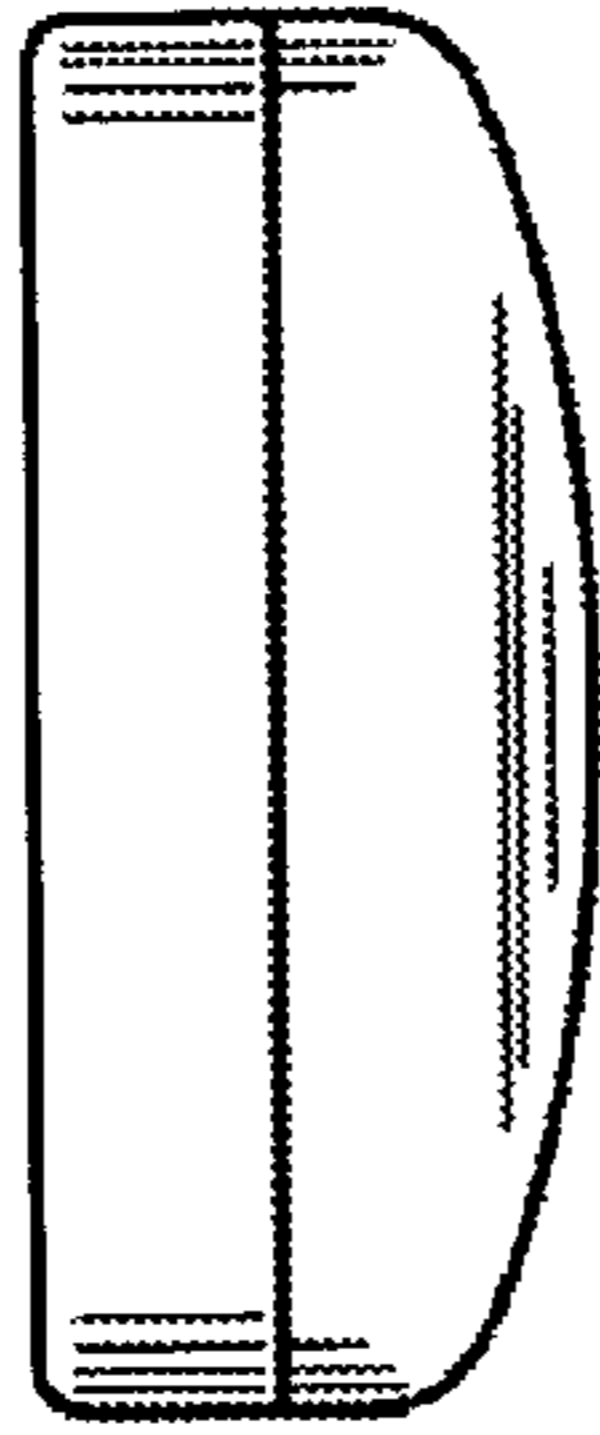


Fig. 2

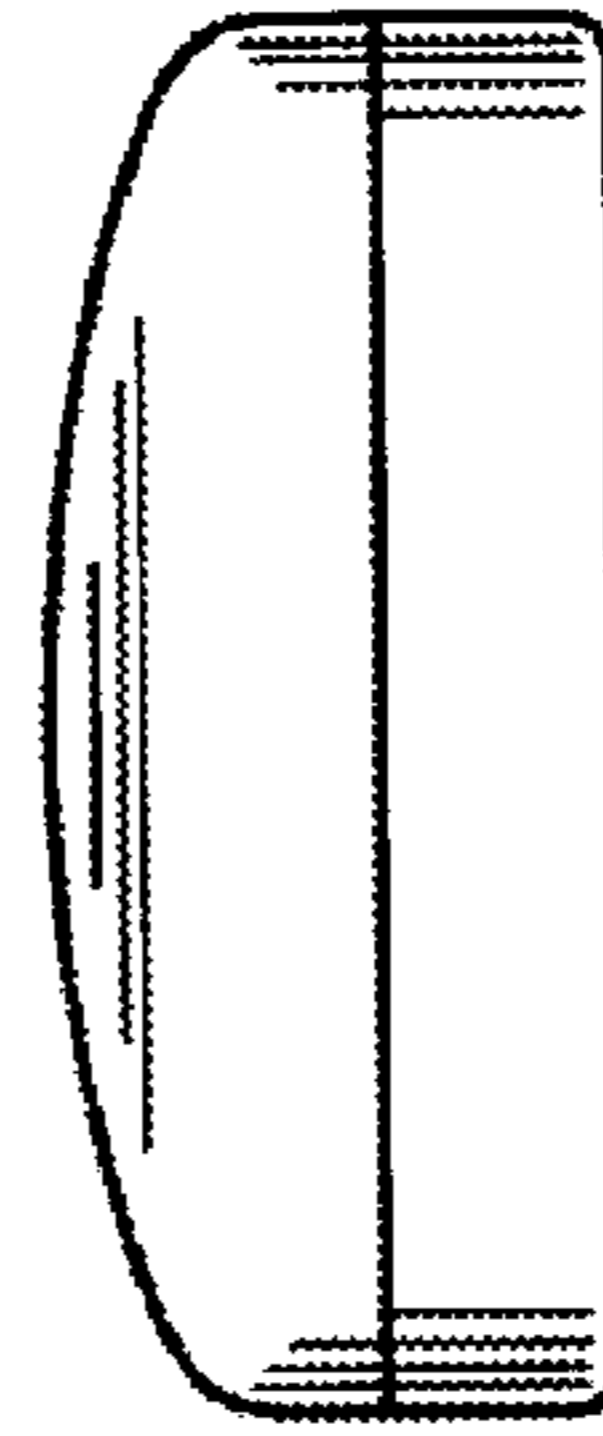


Fig. 3

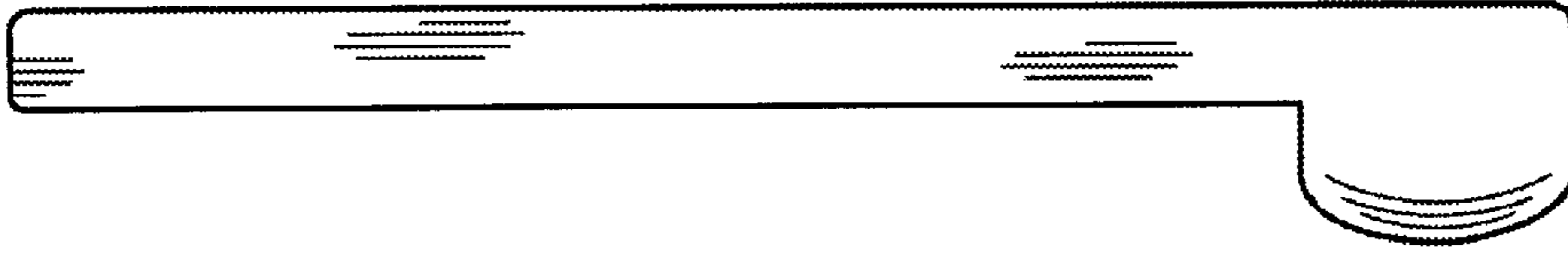


Fig. 7

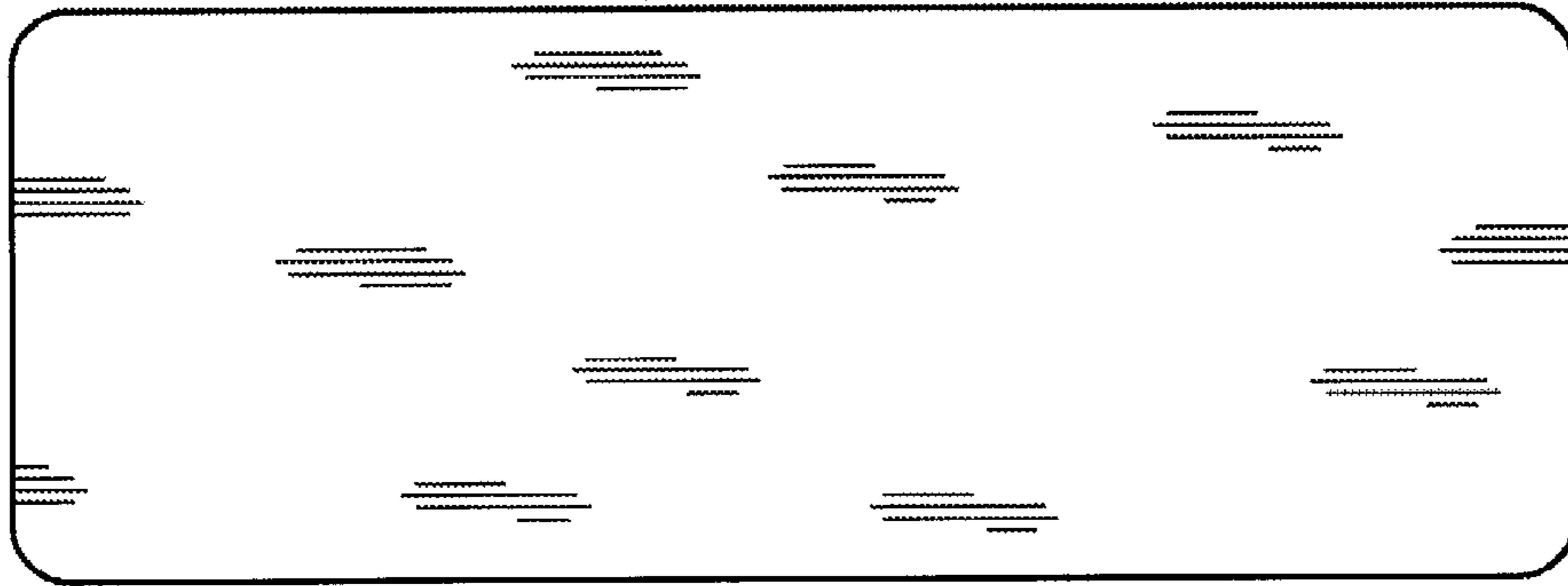


Fig. 6

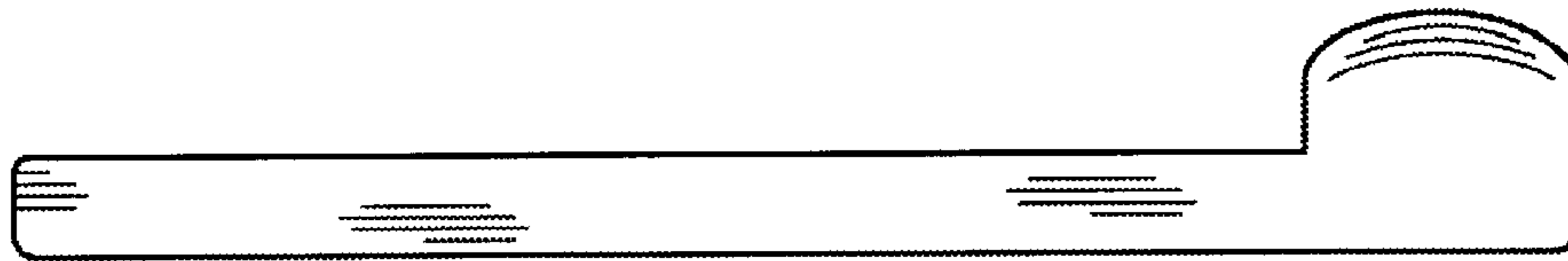


Fig. 5

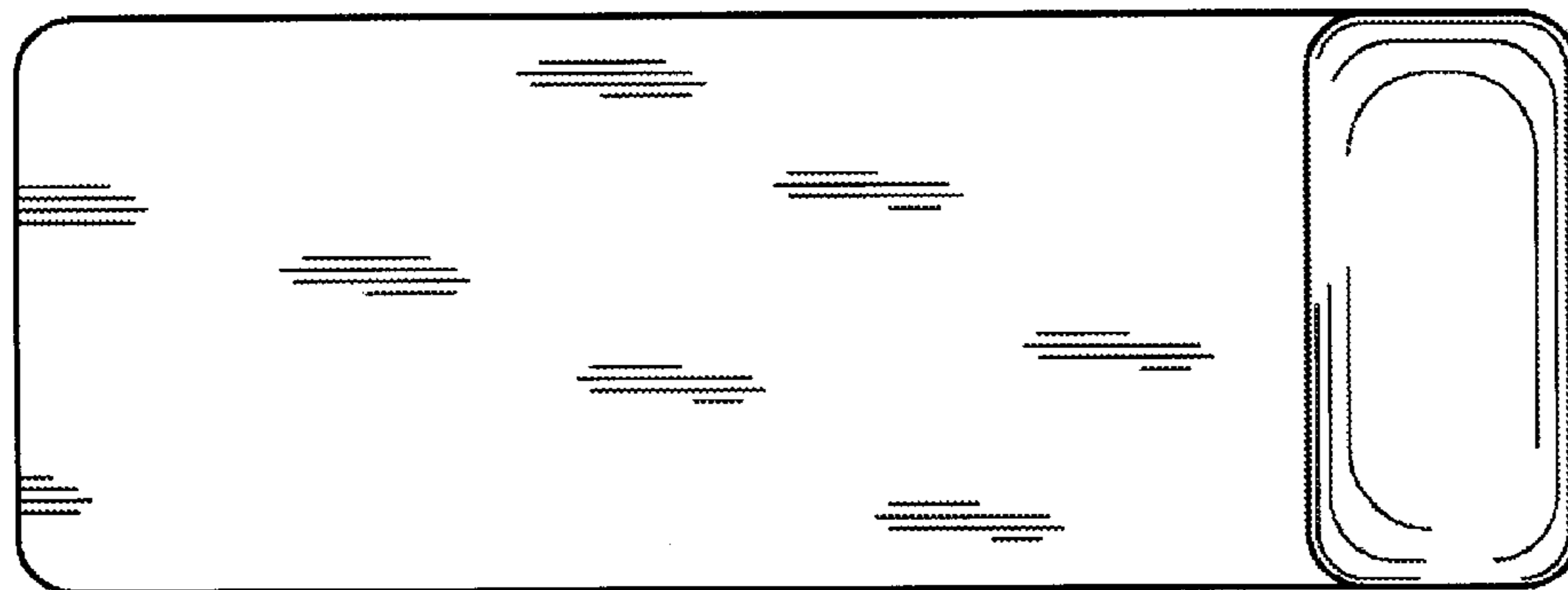


Fig. 4

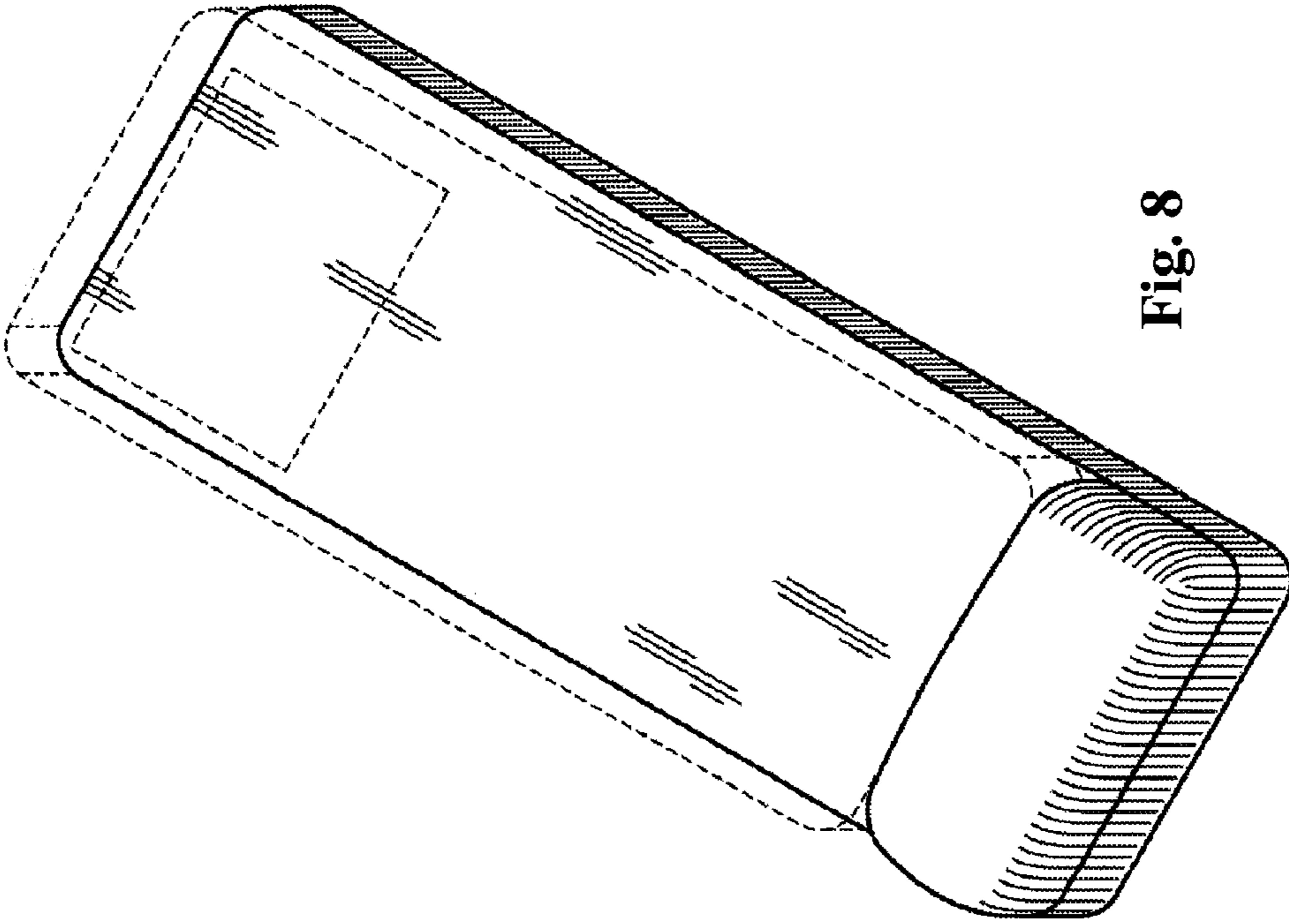


Fig. 8

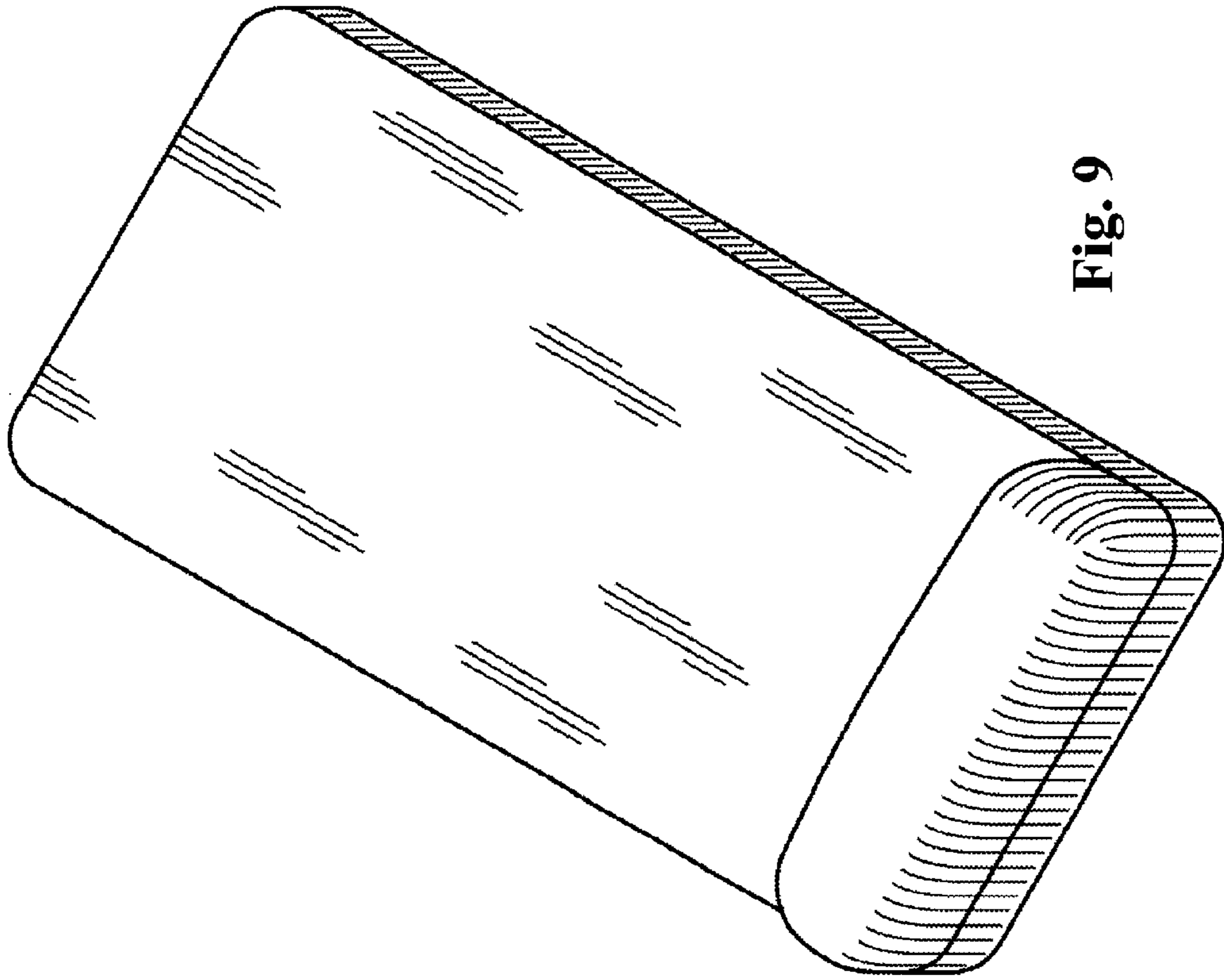


Fig. 9

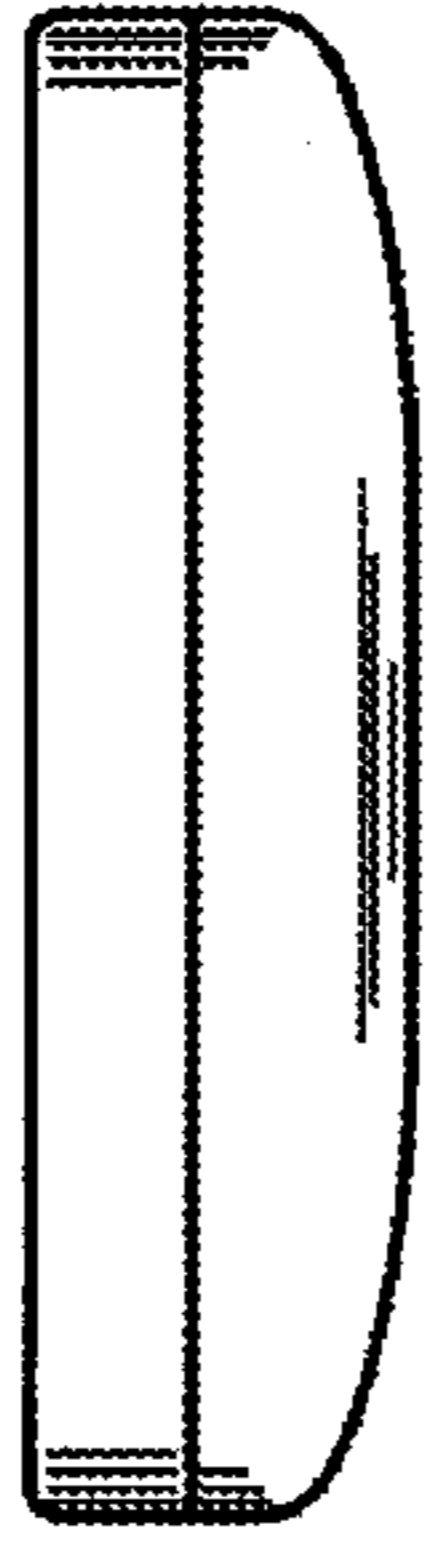


Fig. 10

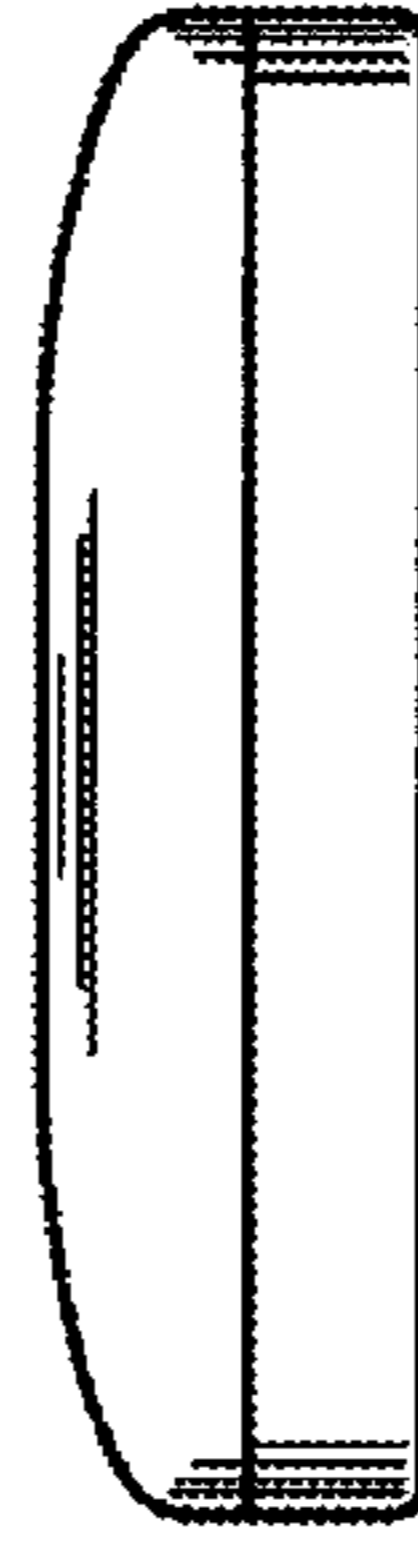


Fig. 11



Fig. 15

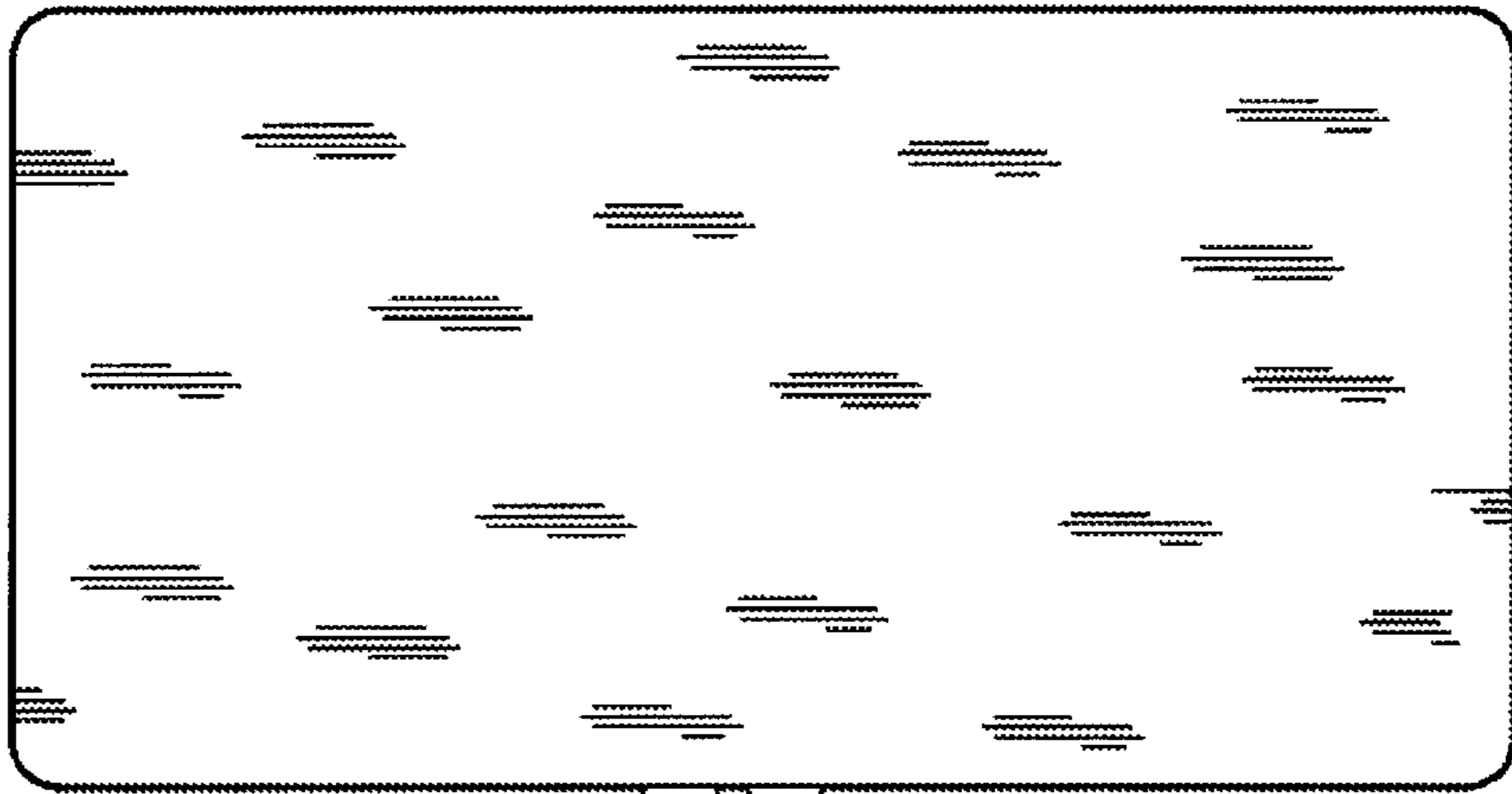


Fig. 14

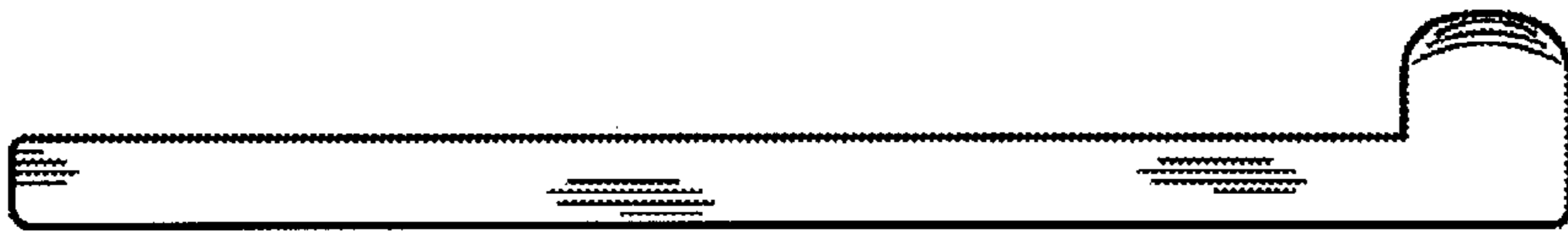


Fig. 13

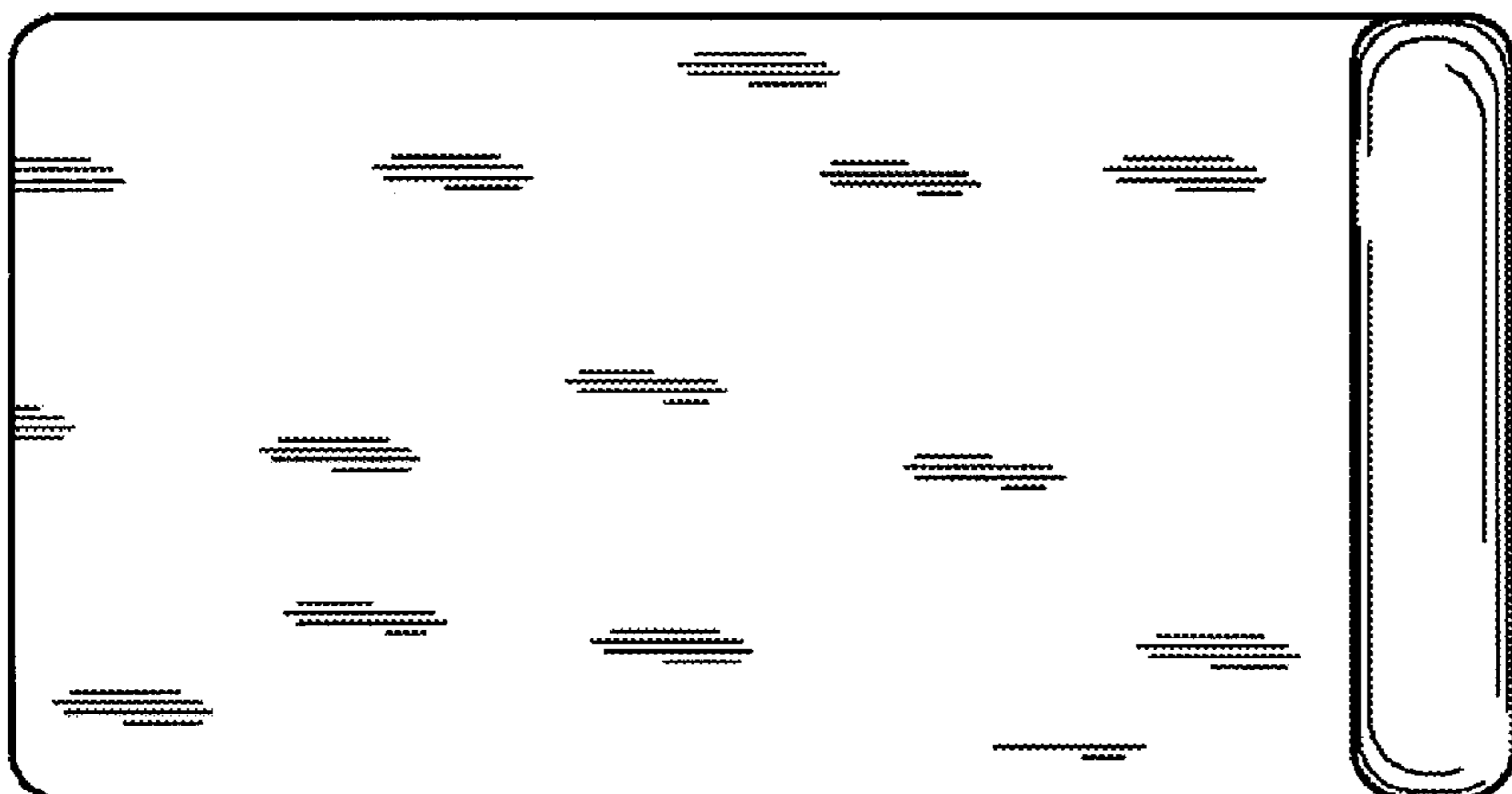


Fig. 12

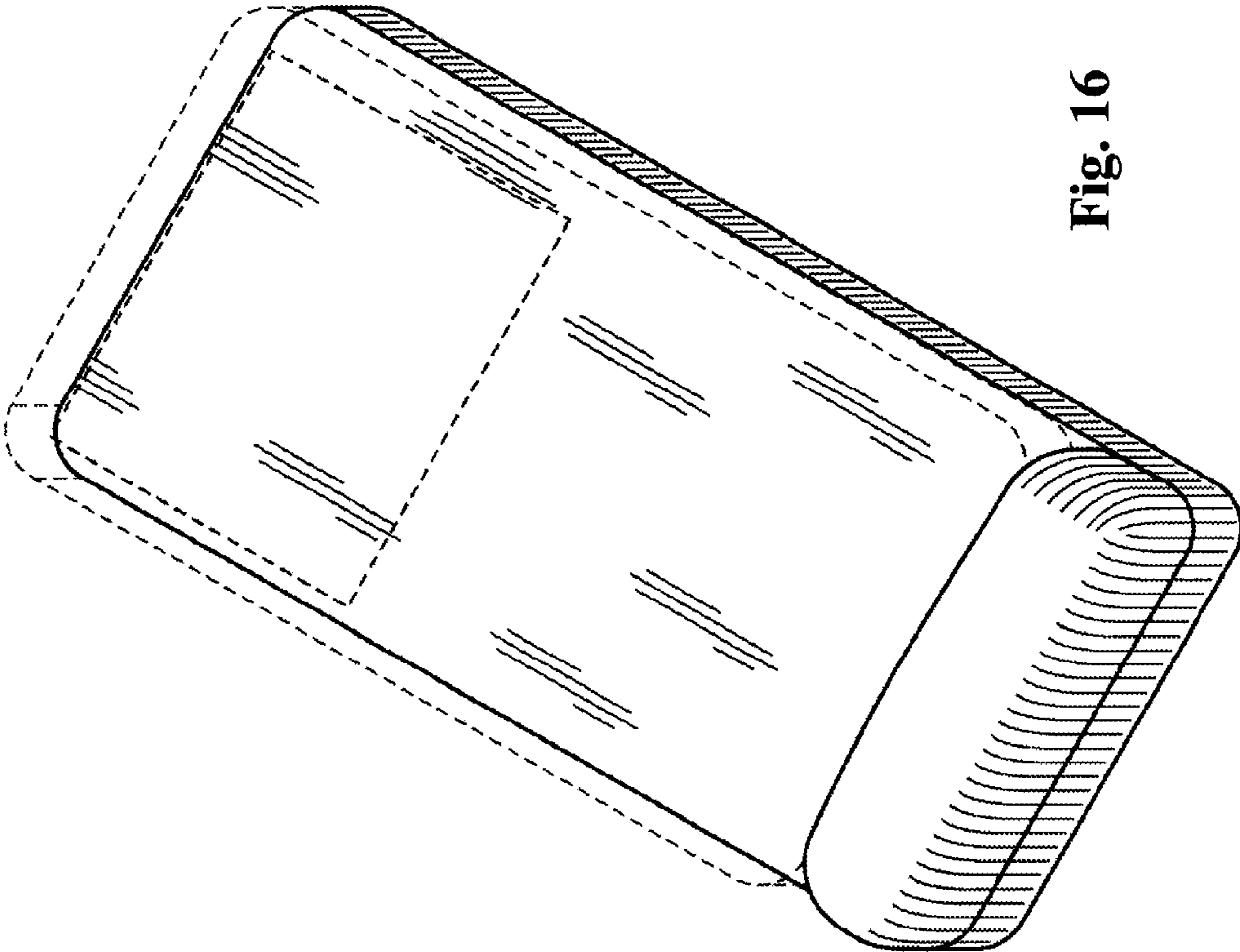


Fig. 16